



### Main

Range of product	Modicon X80
Product or component type	Discrete input module
Discrete input number	64
Discrete input type	Isolated
Input type	Current sink (logic positive)
Discrete input voltage	24 V DC positive
Discrete input current	1 mA

### Complementary

Sensor power supply	19...30 V
Voltage state 1 guaranteed	$\geq 15$ V
Current state 1 guaranteed	$\geq 1$ mA
Voltage state 0 guaranteed	$\leq 5$ V
Current state 0 guaranteed	$\leq 0.5$ mA
Input impedance	24000 Ohm
Insulation resistance	$> 10$ MOhm 500 V DC
Power dissipation in W	$\leq 4.3$ W
DC typical filtering time	4 ms
DC maximum filtering time	7 ms
Paralleling of inputs	No
Typical current consumption	200 mA at 3.3 V DC
MTBF reliability	362681 H
Protection type	Without reverse polarity protection 1 external fuse per group of channel 0.5 A fast blow
Voltage detection threshold	$< 14$ V DC sensor fault $> 18$ V DC sensor OK
Status LED	1 LED green for +32 channels indicator 1 LED green for module operating (RUN) 1 LED per channel green for channel diagnostic

1 LED red for module I/O  
1 LED red for module error (ERR)

Product weight	0.145 kg
----------------	----------

## Environment

IP degree of protection	IP20
Product certifications	CE CSA UL RCM Merchant Navy EAC
Standards	EN/IEC 61131-2 EN/IEC 61010-2-201 UL 61010-2-201 CSA C22.2 No 61010-2-201
Dielectric strength	1500 V AC at 50/60 Hz 1 minute, primary/secondary 500 V DC 1 minute, between group of channels
Vibration resistance	3 gn
Shock resistance	30 gn
Ambient air temperature for storage	-40...85 °C
Ambient air temperature for operation	0...60 °C
Relative humidity	5...95 % without condensation 55 °C
Protective treatment	TC
Operating altitude	0...2000 m 2000...5000 m (with derating factor)

## Offer Sustainability

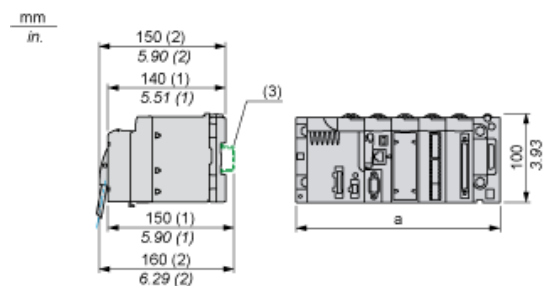
Sustainable offer status	Green Premium product
RoHS (date code: YYWW)	Compliant - since 0722 - Schneider Electric declaration of conformity <a href="#">Schneider Electric declaration of conformity</a>
REACH	Reference not containing SVHC above the threshold <a href="#">Reference not containing SVHC above the threshold</a>
Product environmental profile	Available <a href="#">Product environmental</a>
Product end of life instructions	Available <a href="#">End of life manual</a>

## Contractual warranty

Warranty period	18 months 18 months
-----------------	---------------------

Modules Mounted on Racks

Dimensions

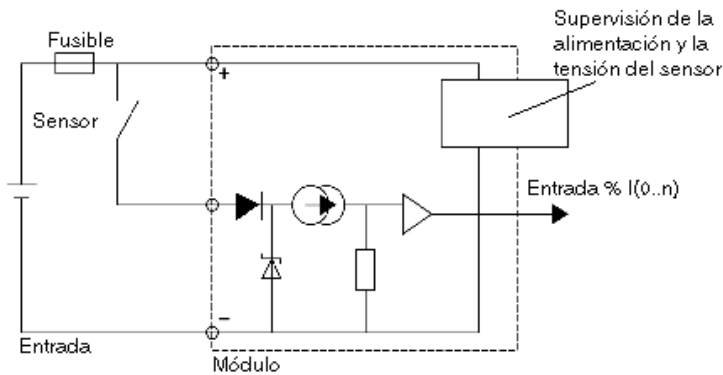


- (1) With removable terminal block (cage, screw or spring).
- (2) With FCN connector.
- (3) On AM1 ED rail: 35 mm wide, 15 mm deep. Only possible with BMXXBP0400/0400H/0600/0600H/0800/0800H rack.

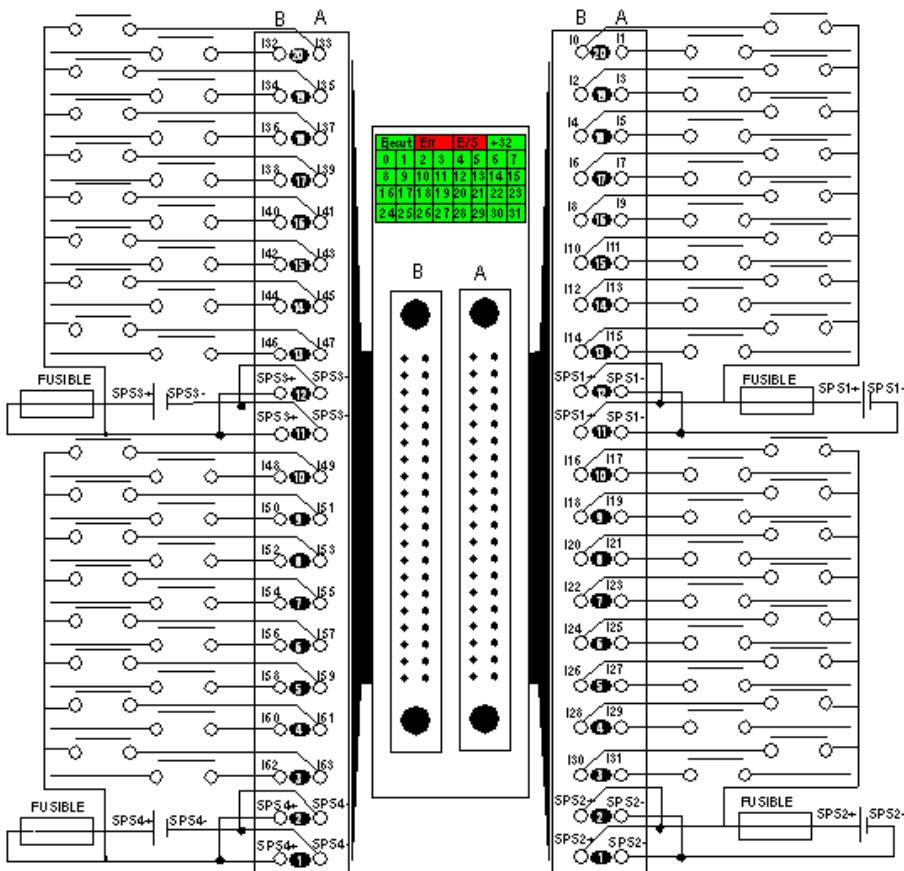
Rack references	a in mm	a in in.
BMXXBP0400 and BMXXBP0400H	242.4	09.54
BMXXBP0600 and BMXXBP0600H	307.6	12.11
BMXXBP0800 and BMXXBP0800H	372.8	14.68
BMXXBP1200 and BMXXBP1200H	503.2	19.81

## Connecting the Module

### Input Circuit Diagram



### Module Connection



- power supply 24VDC
- fuse fast blow fuse of 0.5 A for each 16-channel group
- SPS sensor power supply