



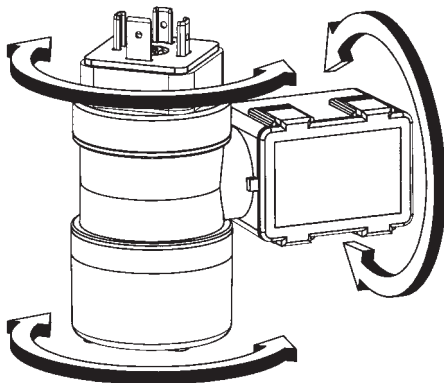
EDITION 07/2004

LCD Module Type 801

Technical overview

The series 801 display modules can be fitted on all DIN 43650 connectors.

Input signals can be signal currents or voltages from the associated transducers or measuring systems.



The distinct advantages

- Portable plug-in indicator
- Irrespective of the installation arrangement of your transducer the display module can be rotated and turned to give the ideal reading-position
- Protection class IP 65 with screw-fastened DIN 43650 connectors

Display

Liquid crystal, 3 digit
Character height 9.4 mm

Indication capabilities

Lowest value:	to	Highest value:
-1.00	to	9.00
.000	to	.900
0.00	to	9.00
00.0	to	90.0
000	to	900

All intermediate values steplessly adjustable.

Calibration

Factory calibration (indicate on order) or calibration by the customer using two 10-turn potentiometers (zero point and end value) and DIP switches to position the decimal point.

Accuracy

≤ +/- 2 digit typically
at ambient temperature 23 °C.

Long term stability/year

≤ +/- 2 digit typically

Temperature influences

TC zero point:
≤ +/- 0.2 digit/K typically
TC sensitivity:
≤ +/- 0.2 digit/K typically
Ambient temperature: 0 ... +60 °C
Storage temperature: -20 ... +75 °C

Response time

< 0.5 sec.

Weight

95 grams

Installation arrangement

Unrestricted.

Case construction

Polyamid

Signal

0 – 5 V

Power supply

11 – 33 VDC
24 VAC +/- 15 %
3-wire cable

0 – 10 V

18 – 33 VDC
24 VAC +/- 15 %
3-wire cable

0 – 20 mA

18 – 33 VDC
24 VAC +/- 15 %
3-wire cable

4 – 20 mA

8 – 33 VDC
2-wire cable

Short circuit-proof and protected against polarity reversal. Each connection against other with max. +/- supply voltage.

Electromagnetic compatibility:
CE conformity to EC directive 89/336 (EMC) by application of harmonized standards EN 61000-6-2 and EN 61000-6-3.

Internal resistance

0 – 5 V > 100 kOhm

0 – 10 V > 100 kOhm

0 – 20 mA < 50 Ohm

Current consumption

At 0 – 5 V / 0 – 10 V / 0 – 20 mA
< 4 mA

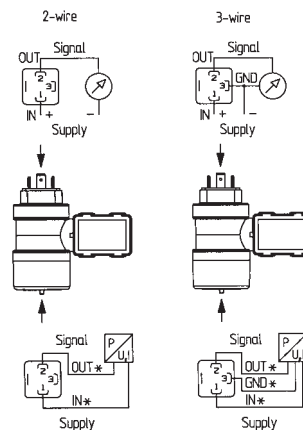
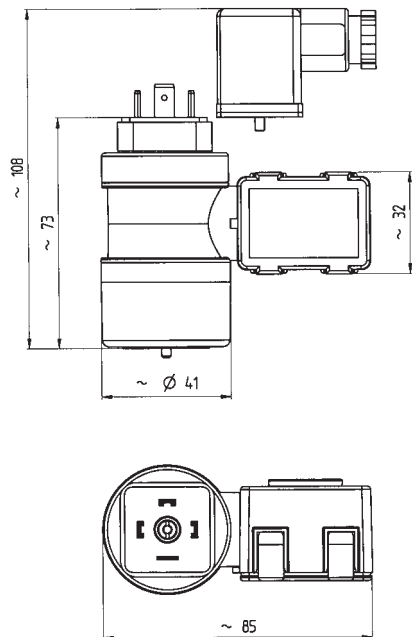
4 – 20 mA voltage drop 8 V

Electrical connections

Connector DIN 43650

Protection standard

IP 65 with seals and fastened connectors. To maintain the protection standard, avoid constantly twisting the individual modules.



When used with Huba transmitters the supply voltage is 19 ... 40 VDC for 4 ... 20 mA, two-wire versions

$$\text{maximum permitted additional load} < \frac{U_{in} [V] - 19}{0.02} [\text{Ohm}]$$

Order code selection table

801

Signal / Power supply	0 ... 5 V	11 ... 33 VDC / 24 VAC +/- 15 %	0	X	X	X	X	X	X	X	X	X
	0 ... 10 V	18 ... 33 VDC / 24 VAC +/- 15 %	1									
	0 ... 20 mA	18 ... 33 VDC / 24 VAC +/- 15 %	2									
	4 ... 20 mA	8 ... 33 VDC (8 VDC indication consumption)	3									
Display unit (text on display)	Without text (Adhesive labels for units enclosed, loose.)			0								
	mbar			1								
	bar			2								
	kg/cm ²			3								
	Inch H ₂ O			4								
	psi			5								
	kPa			6								
Factory setting	Without factory setting											
	Factory setting (indicate on order)											
	Example: 0 Volt Indication 00.0											
	10 Volt Indication 10.0											
	Note: Always indicate 3 places and decimal point (- before 1 st place)											

Electromagnetic compatibility:

CE conformity to EC directive 89/336 (EMC) by application of harmonized standards EN 61000-6-2 and EN 61000-6-3.

Type of interference/Interference susceptibility	Test standard	Effects
Electrostatic discharge ESD	EN 61000-4-2 8 kV air, 6 kV contact	No failure
High-frequency electromagnetic radiation (HF)	EN 61000-4-3 10 V/m, 80...1000 MHz	No effect
Conducted HF interference	EN 61000-4-6 10 V, 0.15 ... 80 MHz	No effect
Fast transients (burst)	EN 61000-4-4 2 kV	No failure
Surge	EN 61000-4-5 Protection in combination with transmitter, max. tolerable cable length 10 m	No test
Magnetic fields	EN 61000-4-8 30 A/m, 50 Hz	No effect
Type of interference/Emitted interference	Test standard	Effects
Conducted interference	EN 55022 (CISPR 22) 0.15 ... 30 MHz	No effect
Radiation from housing	30...1000 MHz, 10 meters	

Internet: www.hubacontrol.com

Huba Control Switzerland
 Headquarters
 Industriestrasse 17
 CH-5436 Würenlos
 Phone ++41 (0) 56 436 82 00
 Fax ++41 (0) 56 436 82 82
 e-mail: info.ch@hubacontrol.com

Huba Control United Kingdom
 Unit 3 Network Point
 Range Road
 GB-Witney Oxfordshire OX29 0YD
 Phone 01 993 776 667
 Fax 01 993 776 671
 e-mail: info.uk@hubacontrol.com

Huba Control France
 e-mail: info.fr@hubacontrol.com
Huba Control Germany
 e-mail: info.de@hubacontrol.com
Huba Control Netherlands
 e-mail: info.nl@hubacontrol.com

Agent for: