



**30 YEARS
YOUNG**
1982.2012

lika

General purpose, multi turn encoder
Single turn, high accuracy
Multi turn, high performance version



#encoder #profinet #singleturn #multiturn @likaelectronic



- EM58 series general purpose multi turn
- HS58 high accuracy single turn series
- HM58 high performance multi turn series
- Fast and precise optical sensing
- Optical multi turn part
- Encoder profile PNO No 3.162 V4.1
- Dynamically assigned IP address via DCP
- Stainless steel version available on request



EM58 • HS58 • HM58 PT

ENVIRONMENTAL SPECIFICATIONS

| | |
|------------------------------|---|
| Shock: | 100 g, 6 ms |
| Vibrations: | 10 g, 5-2000 Hz |
| Protection: | IP65 |
| Operating temperature range: | -25°C +85°C (-13°F +185°F) |
| Storage temperature range: | -40°C +100°C (-40°F +212°F) (98% R.H.without condensation) |

MECHANICAL SPECIFICATIONS

| | |
|--|--|
| Dimensions: | see drawing |
| Shaft diameter: | Ø 6, 8, 9.52, 10, 12 mm |
| Hollow shaft diameter: | Ø 14, 15 mm |
| Reducing sleeves BR1-xx from Ø 15 mm to: | Ø 6, 8, 9.52, 10, 11, 12 mm |
| Shaft loading (axial, radial): | 40 N max. |
| Shaft rotational speed: | 6000 rpm max. |
| Bearings life: | 400 x 10 ⁶ rev. min. (10 ⁹ rev. min. with shaft loading of 20 N max.) |
| Weight: | ~ 350 g (12,3 oz) |

ELECTRICAL SPECIFICATIONS

| | |
|--------------------------|---|
| Resolution: | HS: 262144 cpr EM: 8192 cpr x 16384 turns HM: 65536 cpr x 16384 turns |
| Accuracy: | HS, HM: ± 0,007° - EM: ± 0,5° |
| Counting frequency: | 150 kHz max. |
| Power supply: | +10V +30V |
| Power consumption: | 1,7 W max. |
| Interface: | Profinet IO |
| Programmable parameters: | see user manual |
| Communication modes: | RT2, RT3 (Isochronous) |
| Cycle time: | ≥ 1ms |
| Protection: | against inversion of polarity and short-circuit |
| EMC: | electro-magnetic immunity, according to: EN 61000-4-2 EN 61000-4-4 |
| Optoelectronic life: | 100.000 h min. |

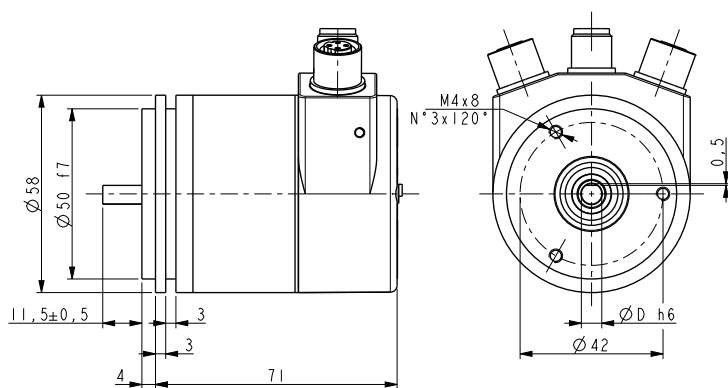
MATERIALS

| | |
|---------------|--|
| Flange: | anticorodal, UNI EN AW-6082 |
| Housing: | anticorodal, UNI EN AW-6082 |
| Bearings: | ABEC 5 |
| Shaft: | stainless steel, non magnetic, UNI EN 4305 |
| Light source: | GaAl diodes |

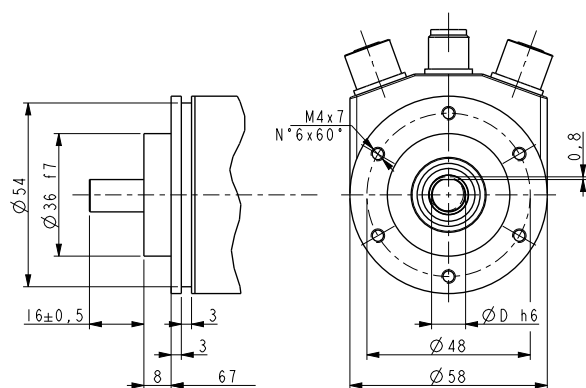


ACCESSORIES

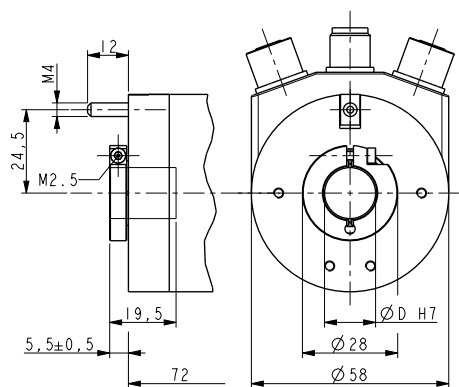
| | |
|----------------------------|---|
| PAN/PGF: | flexible couplings |
| BR1: | reducing sleeves |
| LKM-386: | fixing clamps |
| EC-M12ME-EC-GN-5: | M12 cordset with 5 m cable |
| EC-M12ME-EC-GN-10: | M12 cordset with 10 m cable |
| EXC-M12ME-EC-GN-5-RJ8-EC: | M12+RJ8 cordset w/ 5 m cable |
| EXC-M12ME-EC-GN-10-RJ8-EC: | M12+RJ8 cordset w/ 10 m cable |
| EC-M12PP-LK-PBS-5: | M12 power supply cordset with 5 m cable |
| EC-M12PP-LK-PBS-10: | M12 power supply cordset with 10 m cable |



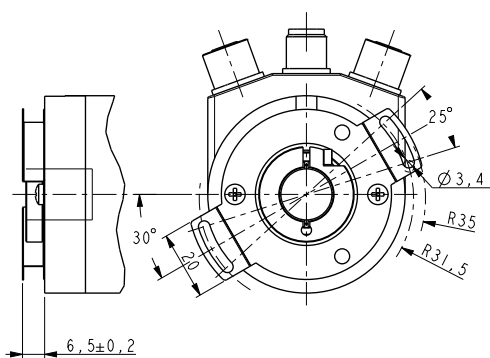
EM58 • HS58 • HM58 PT



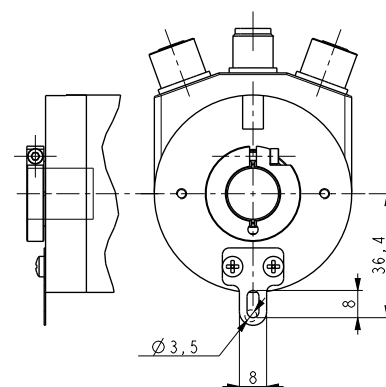
EM58S • HS58S • HM58S PT



EMC58 • HSC58 • HMC58 PT



EMC59 • HSC59 • HMC59 PT



EMC60 • HSC60 • HMC60 PT

Order code - Single turn

| | | | | | | |
|-------|-----|---|----|---|-----|-------|
| HS58 | XX | / | PT | - | XX | /Sxxx |
| HS58S | (a) | | | | (b) | (c) |
| HSC58 | | | | | | |
| HSC59 | | | | | | |
| HSC60 | | | | | | |

Order code - Multi turn

| | | | | | | |
|-------|-------|----------|----|---|-----|-------|
| HM58 | EM58 | XX/XXXXX | PT | - | XX | /Sxxx |
| HM58S | EM58S | (a) | | | (b) | (c) |
| HMC58 | EMC58 | | | | | |
| HMC59 | EMC59 | | | | | |
| HMC60 | EMC60 | | | | | |

(a) RESOLUTION
18 = 262144 cpr

(b) SHAFT DIAMETER
6 = 6 mm
8 = 8 mm
P9 = 9.52 mm, 3/8"
10 = 10 mm
12 = 12 mm
14 = 14 mm (HSCxx)
15 = 15 mm (HSCxx)

© CUSTOM VERSION

(a) RESOLUTION
13/16384 = 8192 cpr x 16384 turns (EMxx)
16/16384 = 65536 cpr x 16384 turns (HMxx)

(b) SHAFT DIAMETER
6 = 6 mm
8 = 8 mm
P9 = 9.52 mm, 3/8"

10 = 10 mm
12 = 12 mm
14 = 14 mm (EMCxx, HMCxx)
15 = 15 mm (EMCxx, HMCxx)

© CUSTOM VERSION

Other products from Lika...



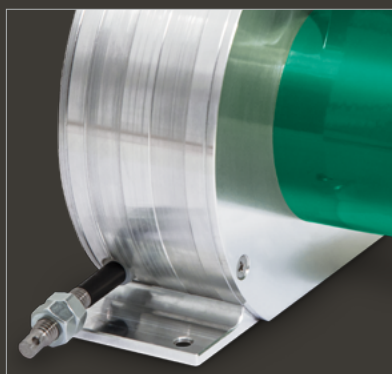
Rotary encoders



Rotary magnetic encoders, Modules



Linear encoders



Draw-wire encoders



Rotary actuators, quick change-over



Flexible & transmission couplings

Visit us at:

sps ipc drives 

Electric Automation
Systems and Components
International Exhibition and Conference



sps ipc drives 

ITALIA

Tecnologie per l'Automazione Elettrica
Sistemi e Componenti
Fiera e Congresso

lika

Lika Electronic Srl
Via S. Lorenzo 25
36010 Carrè (VI) • Italy
Tel. +39 0445 806600
Fax +39 0445 806699
info@lika.it • www.lika.biz

