



Kz - Kazakhstan

INPUT: 1000A...
8000A

5A

OUTPUT: 1A



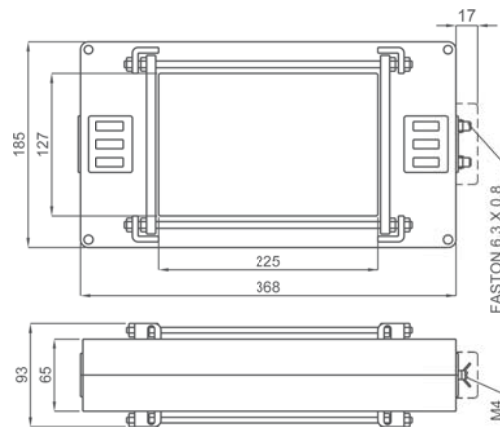
DATI TECNICI - Technical data

custodia in materiale termoplastico autoestinguente	self extinguishing thermoplastic material	UL94-V0
frequenza funzionamento	operating frequency	50÷60 Hz
tensione di riferimento per l'isolamento	insulation reference voltage	0,72 kV
tensione di prova	test voltage	3 kV x 1'50 Hz
isolamento	insulation	classe E
grado di protezione	protection degree	IP 00
grado di protezione con coprimorsetti	protection degree with terminal covers	IP 20
sovracorrente permanente	continuous overcurrent	1,2 In
corrente termica di breve durata nominale (I th)	rated short-time thermal current (I th)	80 In
corrente dinamica nominale (I dyn)	rated dynamic current (I dyn)	2,5 x I th
max. potenza dissipata (portata max.)	max. power dissipation (max range value)	≤95W
temperatura di funzionamento	operating temperature	-25 +50 °C
temperatura di magazzino	storage temperature	-40 +80 °C
costruzione a norme	manufactured according to	IEC/EN 61869-1 IEC/EN 61869-2

TIPO - Type

DIMENSIONI - Dimensions

Rapporto Ratio	Codice - Code					
	VA	Cl. 5P5	VA	Cl. 5P10	VA	Cl. 5P15
1000/5A	30	TAT2251K0K05	10	TAT2251K0L05	5	TAT2251KOM05
1200/5A	35	TAT2251K2K05	12	TAT2251K2L05	6	TAT2251K2M05
1500/5A	40	TAT2251K5K05	15	TAT2251K5L05	8	TAT2251K5M05
2000/5A	60	TAT2252K0K05	20	TAT2252K0L05	10	TAT2252KOM05
2500/5A	70	TAT2252K5K05	20	TAT2252K5L05	10	TAT2252K5M05
3000/5A	80	TAT2253K0K05	25	TAT2253K0L05	12	TAT2253KOM05
4000/5A	100	TAT2254K0K05	30	TAT2254K0L05	15	TAT2254KOM05
5000/5A	40	TAT2255K0K05	15	TAT2255K0L05	5	TAT2255KOM05
6000/5A	40	TAT2256K0K05	15	TAT2256K0L05	5	TAT2256KOM05
8000/5A	40	TAT2258K0K05	15	TAT2258K0L05	5	TAT2258KOM05

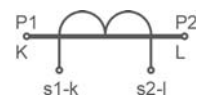


A RICHIESTA: versione con morsetti frontali.

ON REQUEST: secondary terminals on front side.

kg 2,3 ...3,5

Segnatura morsetti primario e secondario
Primary and secondary connections marking



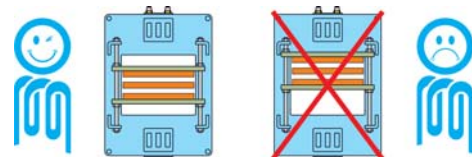
Sono disponibili i trasformatori con secondario 1A e pari prestazioni, i codici di ordinazione sono come in tabella ma con ultima cifra 1

CTs at 1A secondary current are also available. The burdens are the same as 5A CTs. The ordering codes are the same as those in the above table but the last figure shall be 1 instead of 5.

Esempio / Example

TA.....05 (secondario/secondary 5A) TA.....01 (secondario/secondary 1A)

CENTRAGGIO BARRE PRIMARIO - CENTERING PRIMARY BARS



NOTE - Note

ACCESSORI IN DOTAZIONE

- sistema fissaggio barre incorporato
- serrafilo con faston 6,3x0,8mm per secondario e corto circuito

SUPPLIED ACCESSORIES

- built-in busbar fixing system
- clamping terminals with faston 6,3x0,8mm for secondary and short-circuit

OPZIONI - OPTIONS

- Coprimorsetti cod. **9SBMCTA50**
- Coprimorsetti sigillabile cod. **9SBMCTA50S**

- Terminals cover cod. **9SBMCTA50**
- Sealable terminals cover cod. **9SBMCTA50S**

