

general catalogue 2009



**The Right Choice
for Industrial Enclosures and Instrumentation**

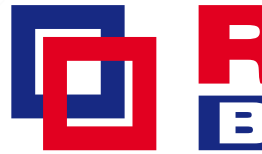
- Box CE.....4
- Box depth 1505
- Box depth 2007
- Box depth 2509
- Box depth 30011
- Box depth 40013
- Double door boxes15
- Glazed door boxes17
- Box accessories model CE19
- Crystal door boxes.....27



- Box CDE28
- Box accessories model CDE.....31



- SECTIONAL, VIDEO and PN desks.....33
- Compact PN desk35
- SECTIONAL desk box.....37
- Shelf for SECTIONAL desk.....39
- SECTIONAL desk riserE.....41
- Box for VIDEO desk43
- Shelf for VIDEO desk45
- VIDEO desk riser.....47
- Desk accessories49
- Desk use opportunities.....56



- CAE compact enclosures.....57
- CAE height 1000.....59
- CAE height 1200.....61
- CAE height 1400.....63
- CAE height 1600.....65
- CAE height 1800.....67
- CAE height 2000.....69
- Horizontal CAE.....71
- CAE accessories73





CQEC enclosure for PC 89



SECTIONAL cabinets CQE 91

CQE height 1400 93

CQE height 1600 95

CQE height 1800 97

CQE height 2000 99

CQE height 2200 101

CQE KIT version 103

CQE Accessories 105

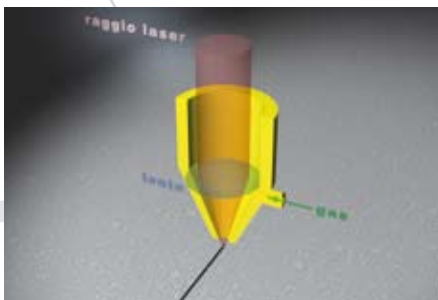
Ventilation 167



CQE and CAE outer modularity 171

CQE and CAE inner modularity 179

Accessories for modularity 187



Laser cutting system 188

Powder coating 189

Lifting standards 190

Customization 191

IP and NEMA degree of protection 192

Certifications 193

Cabinet mounting kit 194

How to order 195

Index 197

index weights 199

Index of codes 201

How to create your code 206

Instructions 206

Agencies RAM BLOCK in Italy

NORD

Novara - Verbania - Vercelli - Biella - Varese

R.E.N. S.n.c. di S. Forzani & C.
Via Marzabotto, 5 - 28010 Divignano (NO)
Tel. 0321 995328 - Fax 0321 995213
Mob. Sergio Forzani 335 7514075
e-mail: rensnc@tin.it

Alessandria - Torino - Asti - Cuneo - Aosta

Di Donato Rappresentanze Industriali
Via Forlì, 74 - 10143 Torino
Tel. 011 4532882 - Fax 011 4530064
Mob. Andrea Di Donato 348 6700778
e-mail: info@didonatorappresentanze.com

Sondrio - Lecco - Como

E.I.S. Electronic Industrial Solutions
Via Vidoletti, 64 - 21030 Cuveglio (VA)
Fax 02 91971510
Mob. Vittorio Restelli 335 7001432
e-mail: revilib@libero.it

Monza - Prov. di Milano Ovest

REIBOR TEAM S.r.l.
Via Parini, 2 - 22030 Lipomo (CO)
Tel. 031 555886 - Fax 031 555886
Mob. Marco Borsani 335 7271650
e-mail: info@reiborteam.com

Pavia - Milano e Prov. Sud Est - Piacenza

Suppa Massimo
Via N. Sauro, 37 - 27029 Vigevano (Pv)
Tel. 0381 692800 - fax 0381 693273
Mob. Massimo Suppa 348 1307644
e-mail: massimo@suppa.it

Cremona - Lodi

EL&CO. S.n.c. Elettro Collaborazioni
Piazza Della Chiesa, 1
26854 Cavenago D'Adda (LO)
Tel. 0371 709059 - Fax 0371 709775
Mob. Alberto Cavallanti 335 6483346
Mob. Franco Zanaboni 335 6679602
e-mail: info@elettrocollaborazioni.com
www.elettrocollaborazioni.com

Bergamo - Brescia - Mantova

Pagnoncelli Daniele
Via Santuario, 8 - 24040 Levate (Bg)
Tel +0363 341629 - Fax 0363 341629
Mob. Daniele Pagnoncelli 335 6385713
e-mail: danielle.pagnoncelli@alice.it

Veneto - Friuli - Trentino

Elettronica Tre s.a.s. di Fincato Daniele & C.
Piazza Borgato Maria Soti, 6 - 35020 Saonara (Pd)
Tel. 010 317715 - Fax 049 8791662
Mob. Daniele Fincato 348 4757483
e-mail: danielle@elettronicate.it

Liguria

Tecnel di G. Pallara & C. s.a.s.
Via L. Pareto, 9 - 16129 Genova (Ge)
Tel. 010 317715 - Fax 010 3106525
Mob. Giuliano Pallara 335 5750600
e-mail: giuliano.pallara@tecnelge.it

CENTRO

Emilia Romagna (esclusa la prov. di Piacenza)

I.C.S. S.r.l. Industrial Center Service
Via Rivani, 45/D - 40138 Bologna (BO)
Tel. 051 532722 - Fax 051 6027447
Mob. Gianpaolo Ghiretti 335 6448950
e-mail: icsindus1@i-c-s-srli.it

Toscana

B&C Elettroappresentanze
Via Spinucci, 15/A - 50141 Firenze
Tel 055 4564065 - Fax 055 4565529
e-mail: bieci@yahoo.it

Lazio

Eurorappresentanze s.r.l.
Via Del casale Agostinelli, 159
00118 Morena Roma
Tel. 06 79800233 - Fax 06 79800233
Mob. Ulderico D'Alessandro 333 6084772
e-mail: eurorappsrl@hotmail.com

Marche - Abruzzo - Molise

C.T.A. s.a.s di Argalia Simone & C.
Via Buozzi, 56 - 60044 Fabriano (An)
Tel. 0732 251104 - Fax 0732 251104
Mob. Simone Argalia 335 7387137
e-mail: argalias@ctarappresentanze.it

Sardegna

Bruno Sias & C. S.a.s.
Via E. Loni, 40 (su Planu) - 09047 Selargius (CA)
Tel. 070 541116 - Fax 070 541117
Mob. 348 6036488
e-mail: bruno.sias@tin.it

SUD

Campania - Basilicata

FERIMP Srl.
Via Napoli, 159 - 80013 Casalnuovo di Napoli (NA)
Tel. 081 8429837 - Fax 081 5229245
Mob. Corrado Garello 335 7474188
e-mail: ferimp@tin.it

Calabria

FRANZI' Luigi Francesco Rappresentanze
Via Michelangelo Buonarroti, 1
88046 Lamezia Terme (CZ)
Tel. 0968 434338 - Fax 0968 434338
Mob. Luigi Francesco Franzì 328 7532199
e-mail: a_franzi@virgilio.it

Sicilia

F.C. Rappresentanze S.n.c. Di Fabio Fichera
Via XX Settembre, 75 - 95027 S. Gregorio (CT)
Tel. 095 493305 - Fax: 095 494376
Mob. Fabio Fichera 335 6138371
e-mail: fc.rappresentanze@tiscali.it

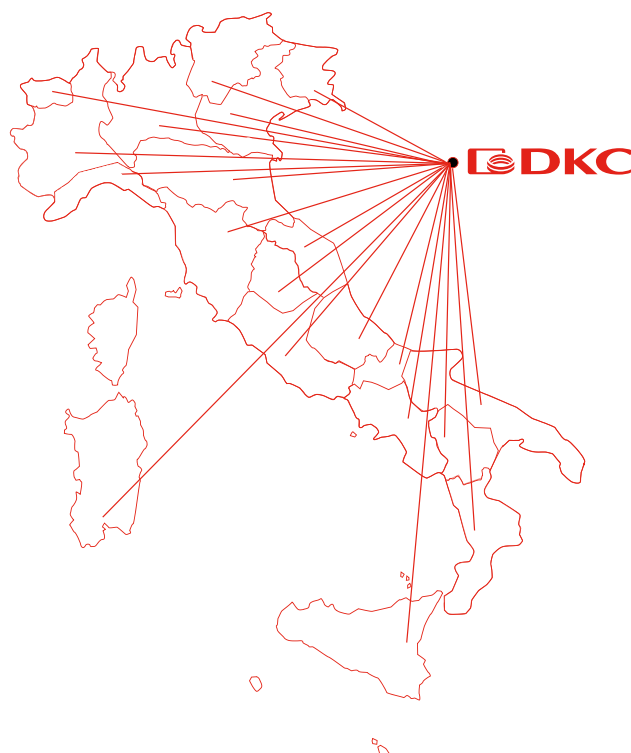
Area Manager

Centro Nord

Mauro Morini
Mob. 345 3650240
e-mail: mauro.morini@dkceurope.eu

Sud e Isole

Maurizio Zotti
Mob. 346 6763825
e-mail: maurizio.zotti@dkceurope.eu



Boxes model CE



Our boxes are built according to the most modern production standards. All building steps are performed by automatic CNC machines guaranteeing the highest product precision and affordability.

The quality standard is certified ISO 9001.

The structure is manufactured in 1,5 mm steel sheets with seam welding on junctions. The multi-fold front edge prevents the accidental water leakage.

A large hole is drilled at the bottom of the box, of which the size is just enough to let the wiring passage. Its closing flange, equipped with sealing system by a special fold at the bottom of the box, does not protrude and is fixed to the base by self-tapping screws.

In the backward, four corner holes let the enclosure be fixed to the wall, directly or by our “wall mounting brackets” (**item RZA50**). Four rubber stoppers for that holes will be supplied.

On the sides of the box (excluded the boxes with 150 mm depth) there are four studs M6 that suitable for fixing several accessories such as inner doors (**item R5IE**) or sectional kits (**item. R5TM**) or 19” revolving rack frames (**item R5TIE**).

The doors are manufactured in 1,5 mm steel sheet up to 800 mm height, and 2 mm for larger dimensions. On the inner side of the doors, it’s possible to fix two pierced horizontal door rails with 25mm spacing (**item RZS**). These door rails strengthen the door structure and allow an easy fixing for any application.

The doors are reversible (opening to the right or left), and they are available either blind or glazed. The glazed doors are protected by a self-extinguishing acrylic sheet.

The inner doors (**item. R5IE**) are hinged, and provided with a closing device adjustable in depth.

Strong hinges, invisible from the outside, allow a spacious opening of the doors of about 130°. The sealing is ensured by a special polyurethane gasket applied directly on the door by continuous pour.

The painting is performed by epoxy polyester powder coating. RAL 7035 textured finish.

In all our models the flat mounting plate (cabling panel) is manufactured in 2 mm galvanized steel sheets for a better Potential compensation.

A wide range of accessories is available. This tools guarantee the greatest versatility of the product.

The protection degree depends according to the structure of the box and is specified for every model.

Boxes depth 150



STRUCTURE

1,5 mm steel sheet painted with RAL 7035 textured finish.

FLAT MOUNTING PLATE

2 mm galvanized steel sheet.

DOOR

reversible, with one closing (two closings over 500 mm height) painted RA 7035 textured finish with sealing gasket in continuous pour.

GLAND PLATE

Duly dimensioned, is fixed at the bottom of the box.

THE SUPPLY INCLUDES

structure, mounting plate, door, gland plate, all screws necessary for the assembly.

Code	Dimensions			Degree of protection
	Height H	Width L	Depth P	
R5CE0391	300	250	150	IP 66 EN 60529 UL NEMA type 4
R5CE0331	300	300	150	IP 66 EN 60529 UL NEMA type 4
R5CE0341	300	400	150	IP 66 EN 60529 UL NEMA type 4
R5CE0431	400	300	150	IP 66 EN 60529 UL NEMA type 4
R5CE0531	500	300	150	IP 66 EN 60529 UL NEMA type 4



UNI EN ISO 9001:2000



In accordance with European Standards CEI EN 50298



Underwriters Laboratories Canada and USA - UL 508



TÜV SÜD Group



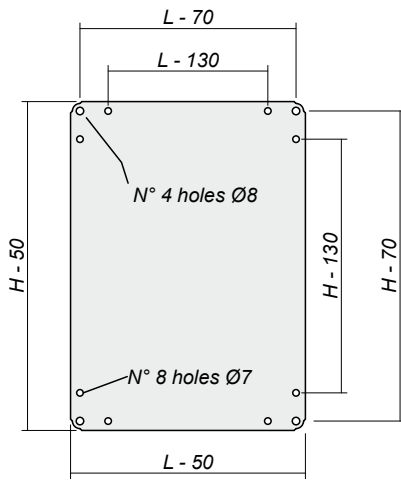
Impact resistance NF C 20-12-1986 IK7



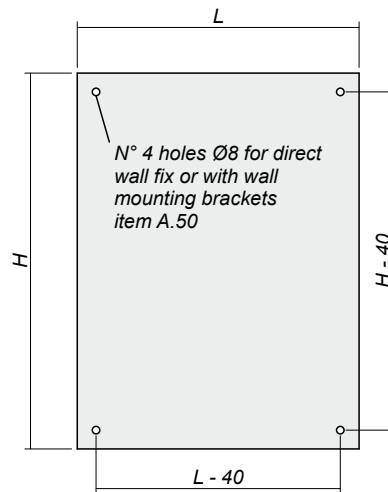
Certification for degree of protection CEI EN 60529



EUCENTRE Certification for shockproofing OPCM 3274 20/03/2003

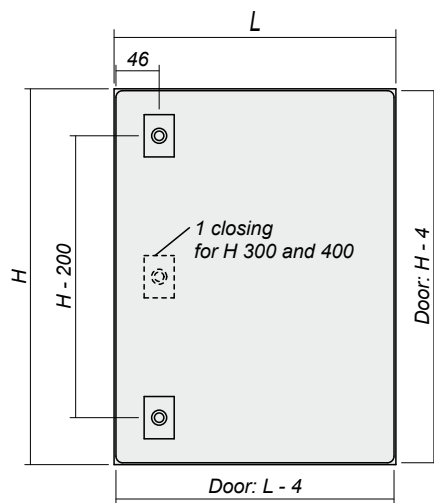


Mounting plate

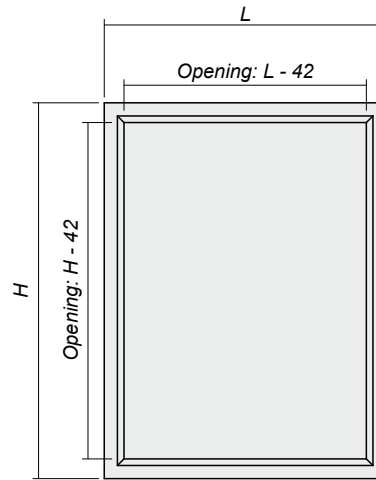


Back view

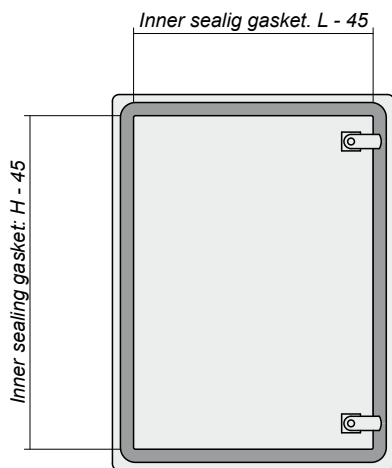
Be careful
the mounting plate until H 400 has no flange



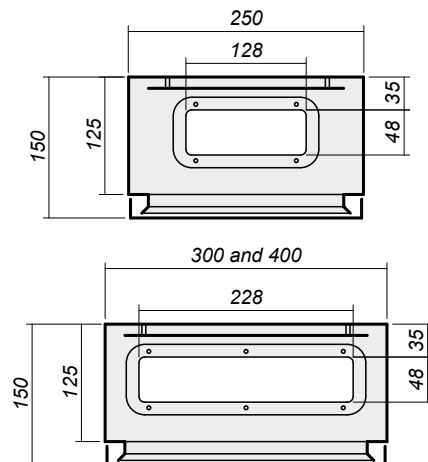
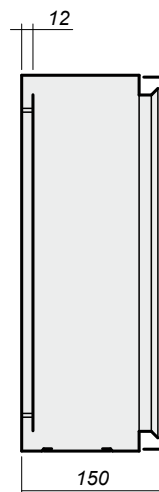
Front view with door



Front view without door



Inner side door view



Boxes depth 200



STRUCTURE

1,5 mm steel sheet painted with RAL 7035 textured finish.

FLAT MOUNTING PLATE

2 mm galvanized steel sheet.

DOOR

reversible, with one closing (two closings over 500 mm height) painted RAL 7035 textured finish with sealing gasket in continuous pour.

GLAND PLATE

Duly dimensioned, is fixed at the bottom of the box.

THE SUPPLY INCLUDES

structure, mounting plate, door, gland plate, all screws necessary for the assembly.

Code	Dimensioni			Degree of protection
	Height H	Width L	Depth P	
R5CE0432	400	300	200	IP 66 EN 60529 UL NEMA type 4
R5CE0442	400	400	200	IP 66 EN 60529 UL NEMA type 4
R5CE0462	400	600	200	IP 66 EN 60529 UL NEMA type 4
R5CE0532	500	300	200	IP 66 EN 60529 UL NEMA type 4
R5CE0542	500	400	200	IP 66 EN 60529 UL NEMA type 4
R5CE0552	500	500	200	IP 66 EN 60529 UL NEMA type 4
R5CE0642	600	400	200	IP 66 EN 60529 UL NEMA type 4
R5CE0752	700	500	200	IP 65 EN 60529 UL NEMA type 4



UNI EN ISO 9001:2000



In accordance with European Standards CEI EN 50298



Underwriters Laboratories Canada and USA - UL 508



TÜV SÜD Group



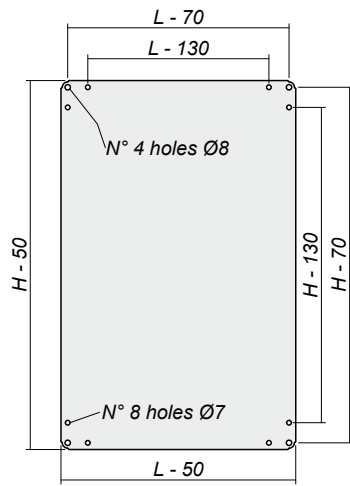
Impact resistance NF C 20-12-1986 IK7



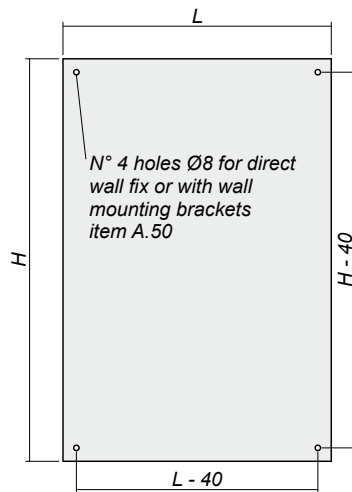
Certification for degree of protection CEI EN 60529



EUCENTRE Certification for shockproofing OPCM 3274 20/03/2003

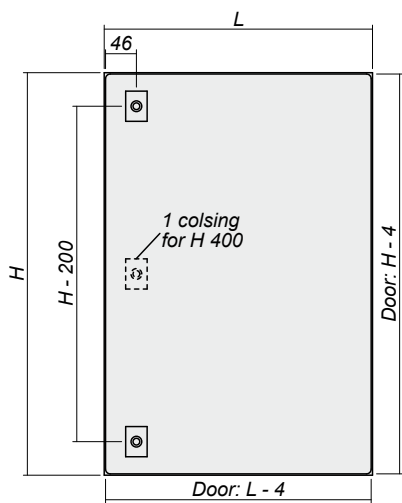


Mounting plate

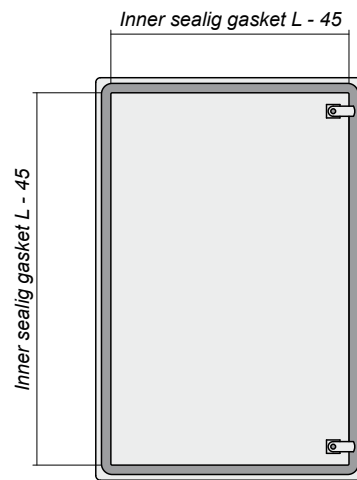


Back view

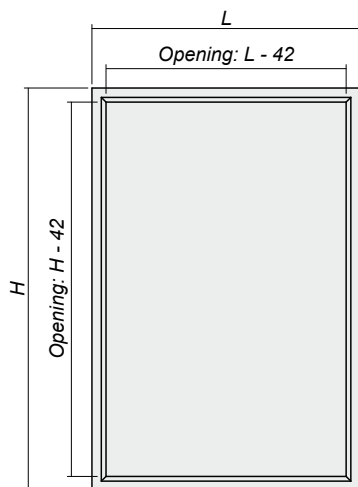
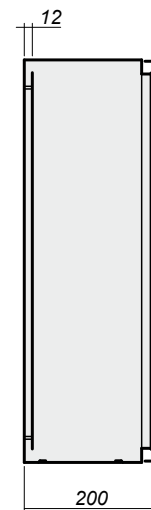
Be careful
the mounting plate until H 400 has no flange



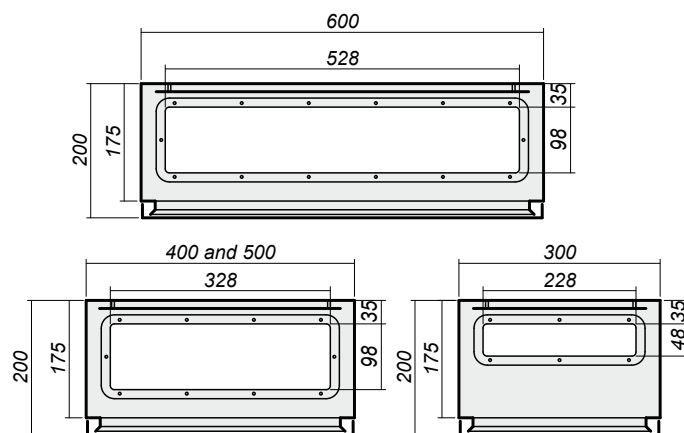
Front with door



Inner side door



Front without door



Boxes depth 250



STRUCTURE

1,5 mm steel sheet painted with RAL 7035 textured finish.

FLAT MOUNTING PLATE

2 mm galvanized steel sheet.

DOOR

reversible, with one closing (two closings over 500 mm height) painted RAL 7035 textured finish with sealing gasket in continuous pour.

GLAND PLATE

Duly dimensioned, is fixed at the bottom of the box.

THE SUPPLY INCLUDES

structure, mounting plate, door, gland plate, all screws necessary for the assembly.

Code	Dimensions			Degree of protection
	Height H	Width L	Depth P	
R5CE0549	500	400	250	IP 66 EN 60529 UL NEMA type 4
R5CE0649	600	400	250	IP 66 EN 60529 UL NEMA type 4
R5CE0669	600	600	250	IP 65 EN 60529 UL NEMA type 4
R5CE0759	700	500	250	IP 65 EN 60529 UL NEMA type 4
R5CE0869	800	600	250	IP 65 EN 60529 UL NEMA type 4
R5CE1069	1000	600	250	IP 65 EN 60529 UL NEMA type 4



UNI EN ISO 9001:2000



In accordance with European Standards CEI EN 50298



Underwriters Laboratories Canada and USA - UL 508



TÜV SÜD Group



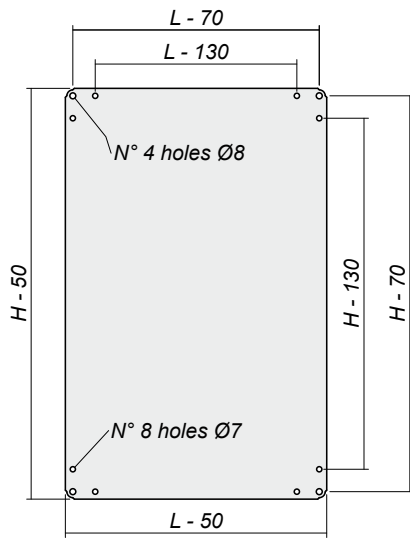
Impact resistance NF C 20-12-1986 IK7



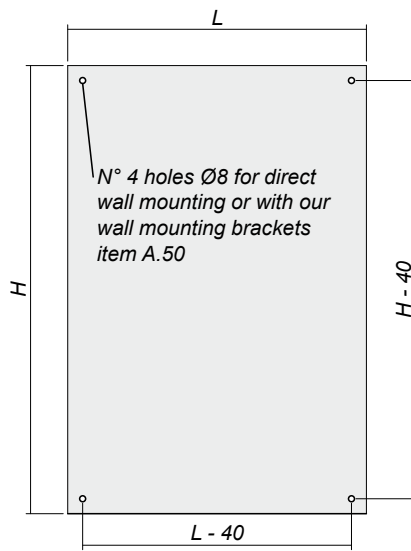
Certification for degree of protection CEI EN 60529



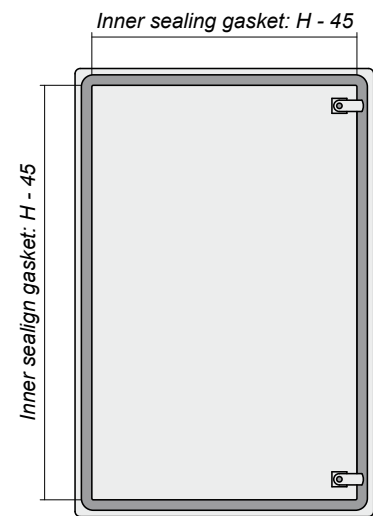
EUCENTRE Certification for shockproofing OPCM 3274 20/03/2003



Mounting plate

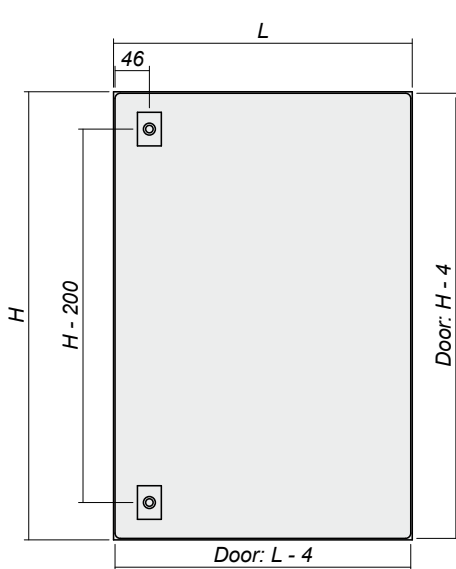


Back view

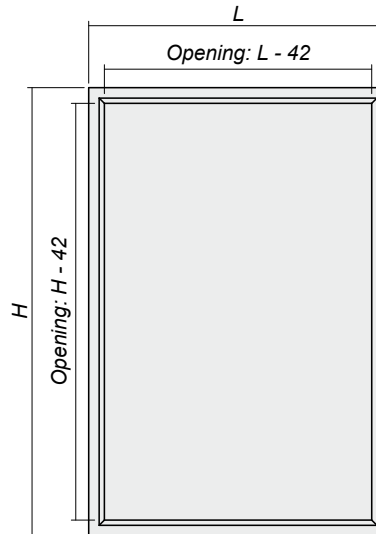


Inner side door view

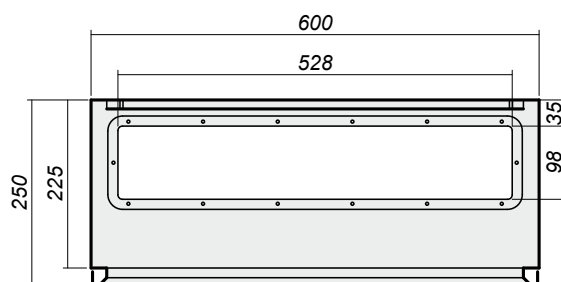
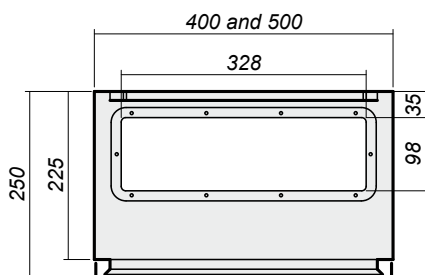
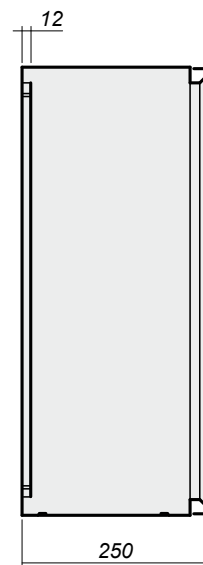
Be careful the mounting plate until H400 has no flanges



Front view with door



Front view without door



Boxes depth 300



STRUCTURE

1,5 mm steel sheet painted with RAL 7035 textured finish.

FLAT MOUNTING PLATE

2 mm galvanized steel sheet.

DOOR

reversible, with two square handles up to 1200 mm height, and one handle closing for 1400 mm height, painted RAL 7035 textured finish with sealing gasket in continuous pour.

GLAND PLATE

Duly dimensioned, is fixed at the bottom of the box.

THE SUPPLY INCLUDES

structure, mounting plate, door, gland plate, all screws necessary for the assembly.

Code	Dimensions			Degree of protection
	Height H	Width L	Depth P	
R5CE0863 ¹	800	600	300	IP 65 EN 60529 UL NEMA type 4
R5CE0883 ¹	800	800	300	IP 65 EN 60529 UL NEMA type 4
R5CE1063 ¹	1000	600	300	IP 65 EN 60529 UL NEMA type 4
R5CE1083 ¹	1000	800	300	IP 65 EN 60529 UL NEMA type 4
R5CE1263 ¹	1200	600	300	IP 65 EN 60529 UL NEMA type 4
R5CE1283 ¹	1200	800	300	IP 65 EN 60529 UL NEMA type 4
R5CE1463 ²	1400	600	300	IP 65 EN 60529 UL NEMA type 4
R5CE1483 ²	1400	800	300	IP 65 EN 60529 UL NEMA type 4

1 - Square handle
2 - Handle



UNI EN ISO 9001:2000



In accordance with European Standards CEI EN 50298



Underwriters Laboratories Canada and USA - UL 508



TÜV SÜD Group



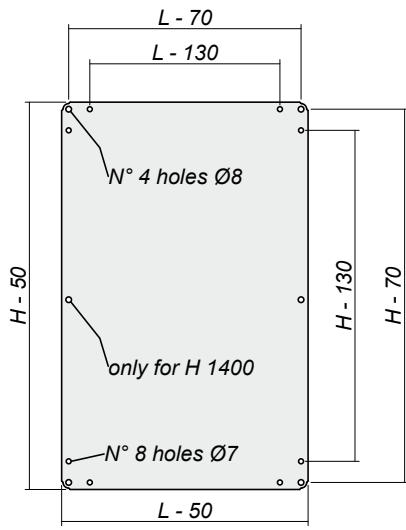
Impact resistance NF C 20-12-1986 IK7



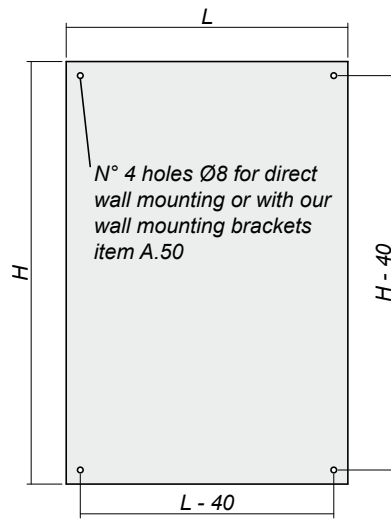
Certification for degree of protection CEI EN 50529



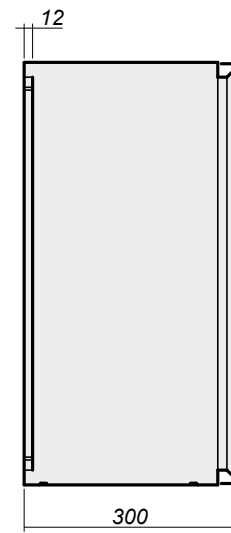
EUCENTRE Certification for shockproofing OPCM 3274 20/03/2003



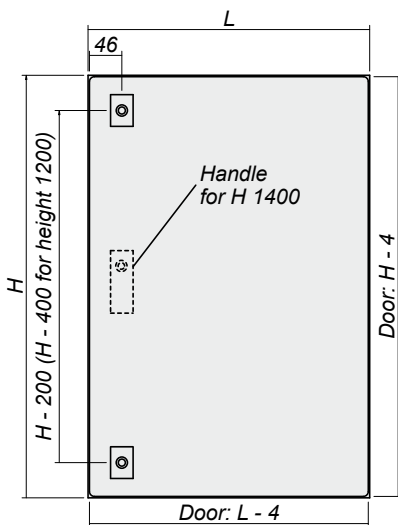
Mounting plate



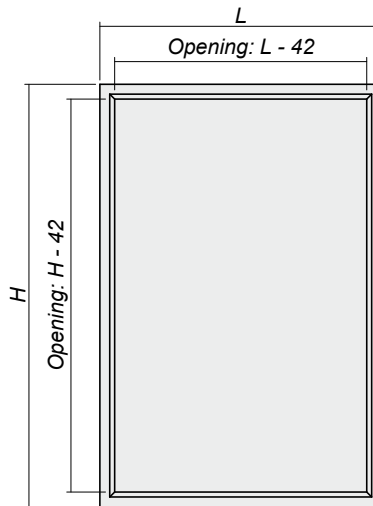
Back view



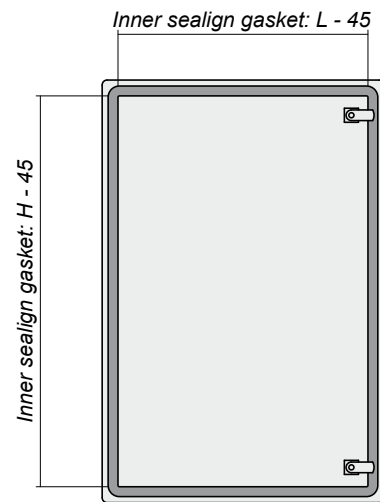
Be careful
the mounting plate until H 400 has no flanges



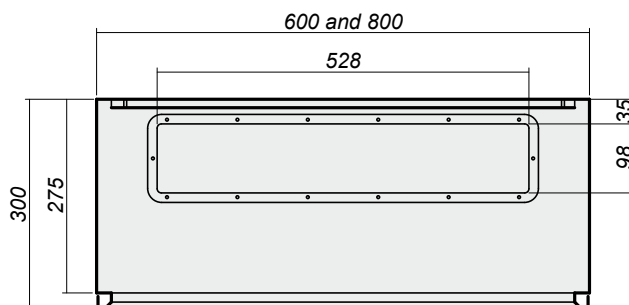
Front view with door



Front view without door



Inner side door view



Boxes depth 400



STRUCTURE

1,5 mm steel sheet painted with RAL 7035 textured finish.

FLAT MOUNTING PLATE

2 mm galvanized steel sheet.

DOOR

reversible, with one closing (two closings over 500 mm height) painted RAL 7035 textured finish with sealing gasket in continuous pour.

GLAND PLATE

Duly dimensioned, is fixed at the bottom of the box.

THE SUPPLY INCLUDES

structure, mounting plate, door, gland plate, all screws necessary for the assembly.

Code	Dimensions			Degree of protection
	Height H	Width L	Depth P	
R5CE0644	600	400	400	IP 55 EN 60529
R5CE0664	600	600	400	IP 55 EN 60529
R5CE0864	800	600	400	IP 55 EN 60529
R5CE0884	800	800	400	IP 55 EN 60529
R5CE1064	1000	600	400	IP 55 EN 60529
R5CE1084	1000	800	400	IP 55 EN 60529



UNI EN ISO 9001:2000



In accordance with European Standards CEI EN 50298



Underwriters Laboratories Canada and USA - UL 508



TÜV SÜD Group



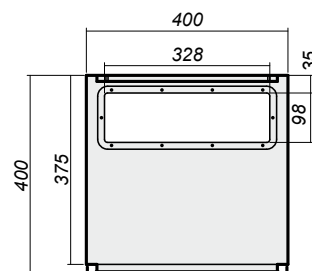
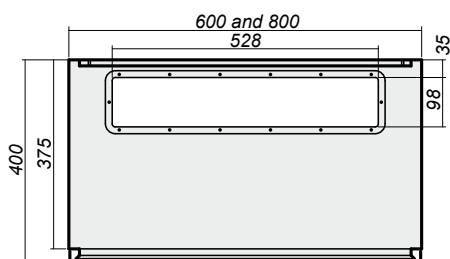
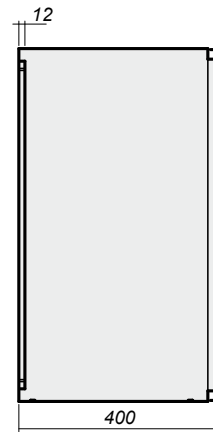
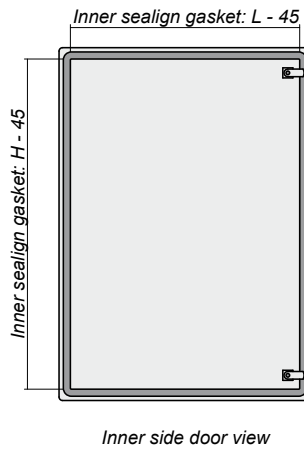
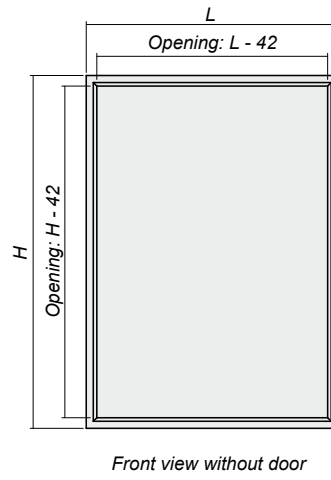
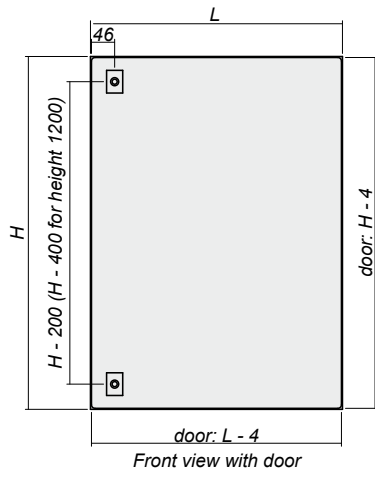
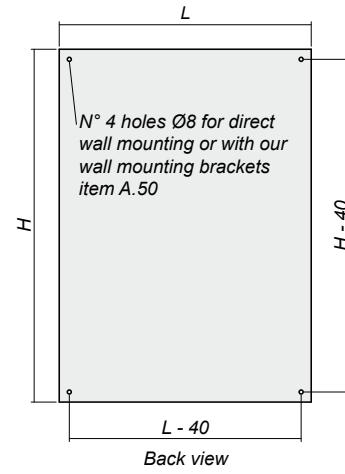
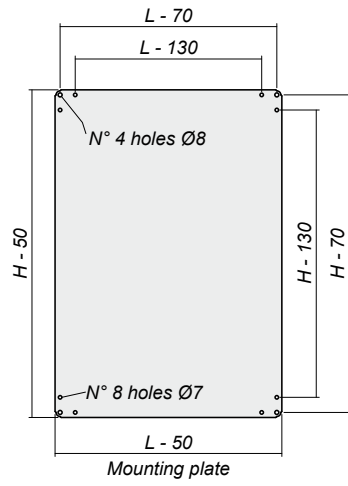
Impact resistance NF C 20-12-1986 IK7



Certification for degree of protection CEI EN 60529



EUCENTRE Certification for shockproofing OPCM 3274 20/03/2003



Double door boxes



STRUCTURE

1,5 mm steel sheet painted with RAL 7035 textured finish.

FLAT MOUNTING PLATE

2 mm galvanized steel sheet.

DOOR

reversible, with two square handles up to 800 mm height, and one handle closing over 1000 mm height, painted RAL 7035 textured finish with sealing gasket in continuous pour.

GLAND PLATE

Duly dimensioned, is fixed at the bottom of the box.

THE SUPPLY INCLUDES

structure, mounting plate, door, gland plate, all screws necessary for the assembly.

Code	Dimensions			Degree of protection
	Height H	Width L	Depth P	
R5CE0683 ¹	600	800	300	IP 55 EN 60529 UL NEMA type 12
R5CE0812 ¹	800	1000	200	IP 55 EN 60529 UL NEMA type 12
R5CE0813 ¹	800	1000	300	IP 55 EN 60529 UL NEMA type 12
R5CE1013 ²	1000	1000	300	IP 55 EN 60529 UL NEMA type 12
R5CE1213 ²	1200	1000	300	IP 55 EN 60529 UL NEMA type 12
R5CE1413 ²	1400	1000	300	IP 55 EN 60529 UL NEMA type 12
R5CE12123 ²	1200	1200	300	IP 55 EN 60529 UL NEMA type 12

- 1 - Square handle
2 - Handle



UNI EN ISO 9001:2000



In accordance with European Standards CEI EN 50298



Underwriters Laboratories Canada and USA - UL 508



TÜV SÜD Group



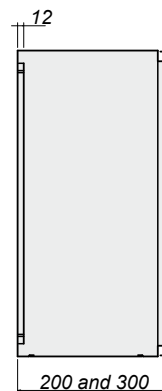
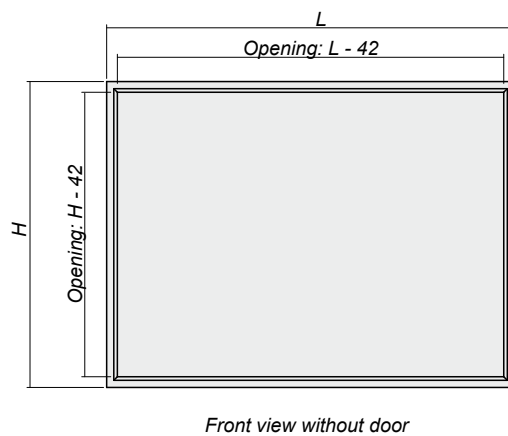
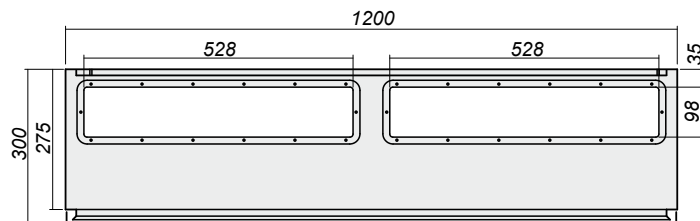
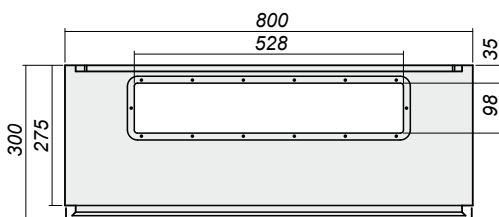
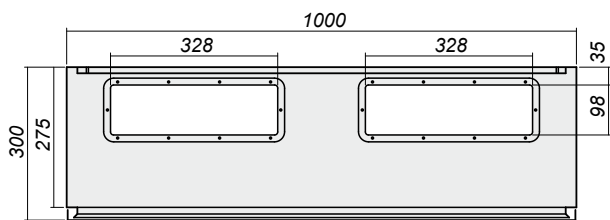
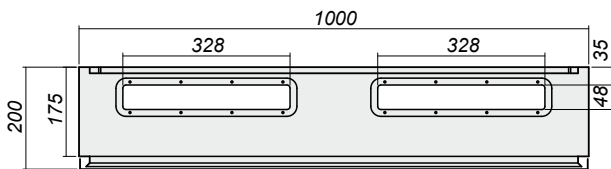
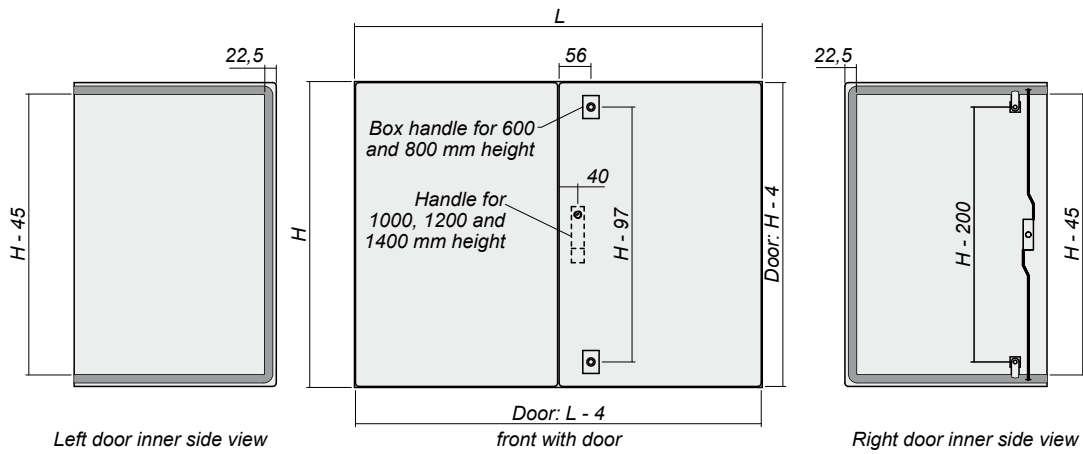
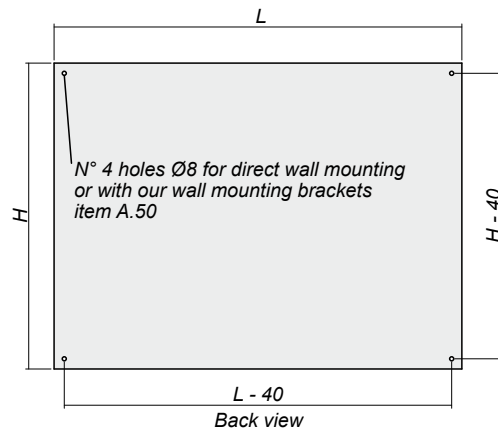
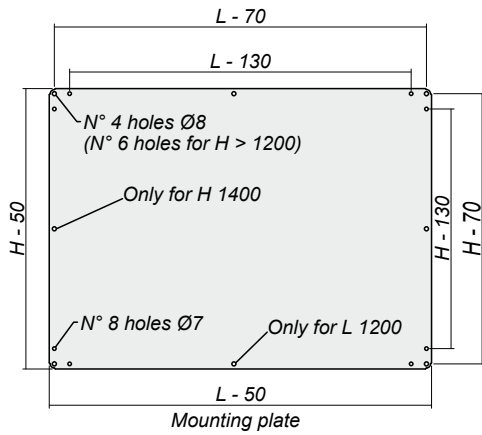
Impact resistance NF C 20-12-1986 IK7



Certification for degree of protection CEI EN 50529



EUCENTRE Certification for shockproofing OPCM 3274 20/03/2003



Glazed door boxes



STRUCTURE

1,5 mm steel sheet painted with RAL 7035 textured finish.

FLAT MOUNTING PLATE

2 mm galvanized steel sheet.

DOOR

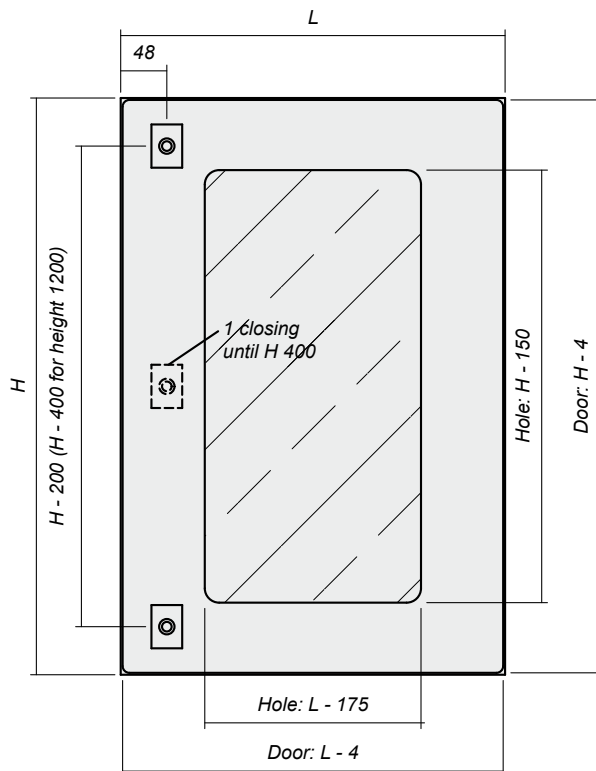
reversible, with one closing (two closings over 500 mm height) painted RAL 7035 textured finish with sealing gasket in continuous pour.

GLAND PLATE

Duly dimensioned, is fixed at the bottom of the box.

The hole in the door is protected by a selfextinguishing acrylic sheet.

All the screw kits necessary for the assembly of the flat plate mounting and the gland plate are included.



Front view



UNI EN ISO 9001:2000



In accordance with European Standards
CEI EN 50298



Certification for shockproofing OPCM
3274 20/03/2003

Code	Height H	Dimensions Width L	Depth P	Degree of protection
R5CEX0432	400	300	200	IP 55 EN 60529
R5CEX0442	400	400	200	IP 55 EN 60529
R5CEX0462	400	600	200	IP 55 EN 60529
R5CEX0532	500	300	200	IP 55 EN 60529
R5CEX0542	500	400	200	IP 55 EN 60529
R5CEX0552	500	500	200	IP 55 EN 60529
R5CEX0642	600	400	200	IP 55 EN 60529
R5CEX0752	700	500	200	IP 55 EN 60529
R5CEX0549	500	400	250	IP 55 EN 60529
R5CEX0649	600	400	250	IP 55 EN 60529
R5CEX0669	600	600	250	IP 55 EN 60529
R5CEX0759	700	500	250	IP 55 EN 60529
R5CEX0869	800	600	250	IP 55 EN 60529
R5CEX1069	1000	600	250	IP 55 EN 60529
R5CEX0863	800	600	300	IP 55 EN 60529
R5CEX1063	1000	600	300	IP 55 EN 60529
R5CEX1083	1000	800	300	IP 55 EN 60529
R5CEX1263	1200	600	300	IP 55 EN 60529
R5CEX1283	1200	800	300	IP 55 EN 60529



.....

.....

.....

.....

.....

.....

.....

.....

.....

.....

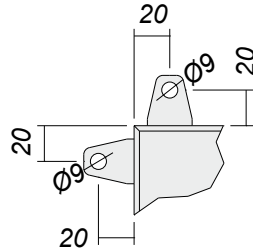
Additional box accessories



WALL MOUNTING BRACKETS

item RZA50

- Manufactured in 2 mm galvanized steel sheet.
- Specially suitable for wall mounting.
- 4 pcs. package including all mounting screws.
- We advice to use our item RZA55 for very heavy boxes.



DOOR LOCK

item RZA31

- Manufactured in 2 mm galvanized steel sheet.
- Designed to prevent the accidental door closing by blocking it at 90 degree.
- Package including all mounting accessories.



HORIZONTAL DOOR RAILS

- Manufactured in 1,5 mm galvanized steel sheet.
- Holes dia. 4,2 mm every 25 mm.
- 2 pcs. package including all mounting screws.

Code	Box height
RZS50	500
RZS60	600
RZS70	700
RZS80	800
RZS100	1000
RZS120	1200
RZS140	1400


Additional box accessories



CANOPY

- Manufactured in 1,5 mm steel sheet painted with RAL 7035 textured finish.
- Package including all mounting screws.

Code	Dimensions	
	Width L	Depth P
R5TT042	400	200
R5TT052	500	200
R5TT049	400	250
R5TT059	500	250
R5TT069	600	250
R5TT063	600	300
R5TT083	800	300



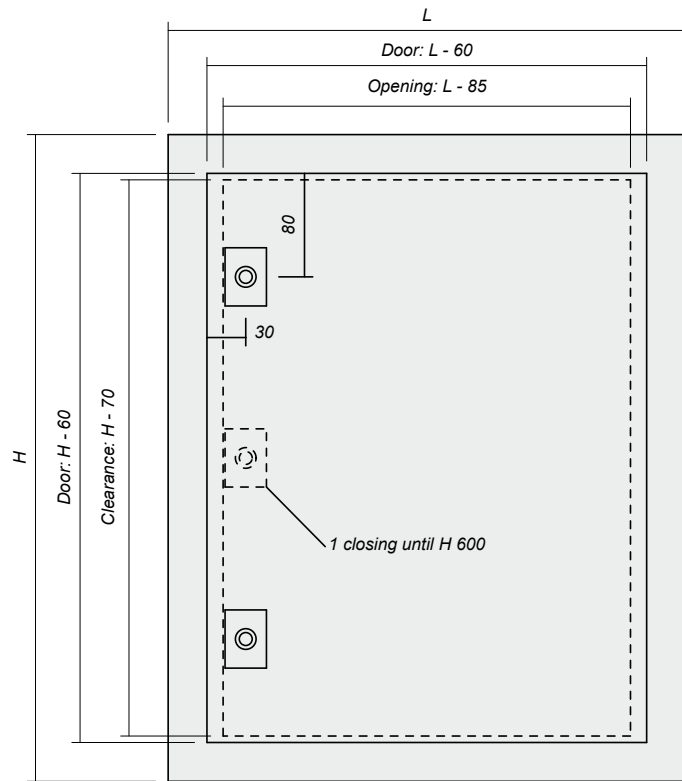
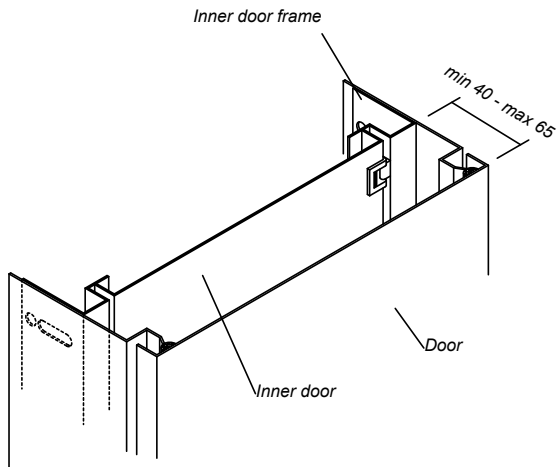
Additional box accessories



INNER DOOR

- Manufactured in 1,5 mm steel sheet painted with RAL 7035 textured finish.
- Adjustable in depth, min 40 mm, max 65 mm.
- Provided of one closure (two closures from 700 mm height).
- Package including all mounting screws.

Code	Dimensions		Degree of protection
	Height H	Width L	
R5IE43	400	300	IP 20 EN 60529
R5IE44	400	400	IP 20 EN 60529
R5IE46	400	600	IP 20 EN 60529
R5IE53	500	300	IP 20 EN 60529
R5IE54	500	400	IP 20 EN 60529
R5IE55	500	500	IP 20 EN 60529
R5IE64	600	400	IP 20 EN 60529
R5IE66	600	600	IP 20 EN 60529
R5IE75	700	500	IP 20 EN 60529
R5IE86	800	600	IP 20 EN 60529
R5IE16	1000	600	IP 20 EN 60529
R5IE18	1000	800	IP 20 EN 60529
R5IE26	1200	600	IP 20 EN 60529
R5IE28	1200	800	IP 20 EN 60529



.....

.....

.....

.....

.....

.....

.....

.....

.....

.....

Additional box accessories



SECTIONAL KIT

FRAME

Manufactured in 1,5 mm steel sheet painted with RAL 7035 textured finish.

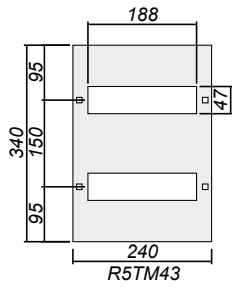
FRONT DOOR

Manufactured in 1,5 mm steel sheet painted with RAL 7035 textured finish

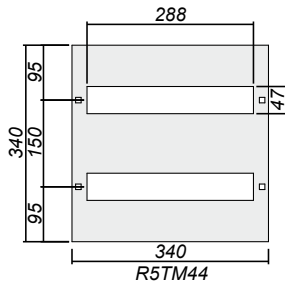
- Packaging:
Frame.
Front door with sectional hole mounted in the frame by hinges and special screws.
Zinc plated DIN rail for every slot
Tools for box mounting.
- The entire frame is supplied assembled. Only box mounting required.
- Available in several dimensions.
- The mounting of single 180 mm height modules is expected for frame with 600 mm width.

Code	Dimensions		N° holes	N° modules	Degree of protection
	Height H	Width L			
R5TM43	400	300	2	10	IP 20 EN 60529
R5TM44	400	400	2	16	IP 20 EN 60529
R5TM53	500	300	3	10	IP 20 EN 60529
R5TM54	500	400	3	16	IP 20 EN 60529
R5TM55	500	500	3	21	IP 20 EN 60529
R5TM64	600	400	4	16	IP 20 EN 60529
R5TM75	700	500	4	21	IP 20 EN 60529
R5TM66 •	600	600	3	26	IP 20 EN 60529
R5TM86 •	800	600	4	26	IP 20 EN 60529
R5TM106 •	1000	600	5	26	IP 20 EN 60529
R5TM126 •	1200	600	6	26	IP 20 EN 60529

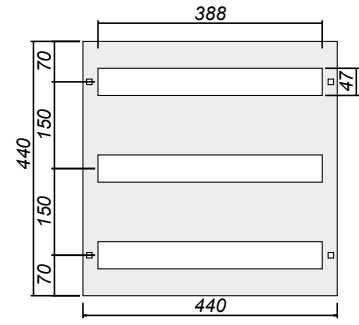
• Available blind panel H 180 item R5PFC64
To use only for R5TM66 - R5TM86 - R5TM106 - R5TM126



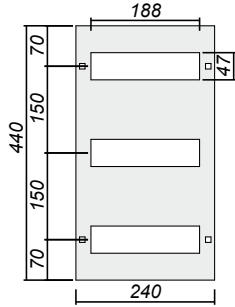
R5TM43



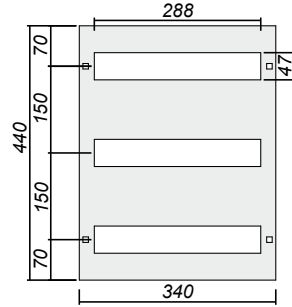
R5TM44



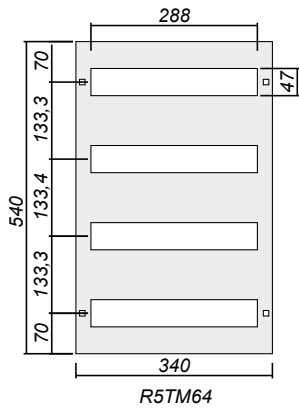
R5TM55



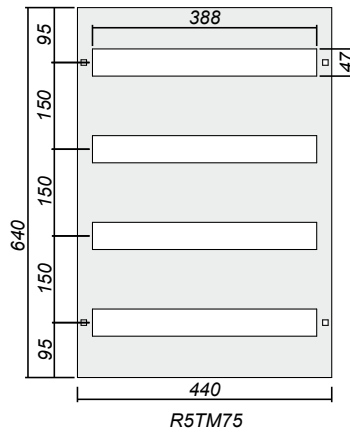
R5TM53



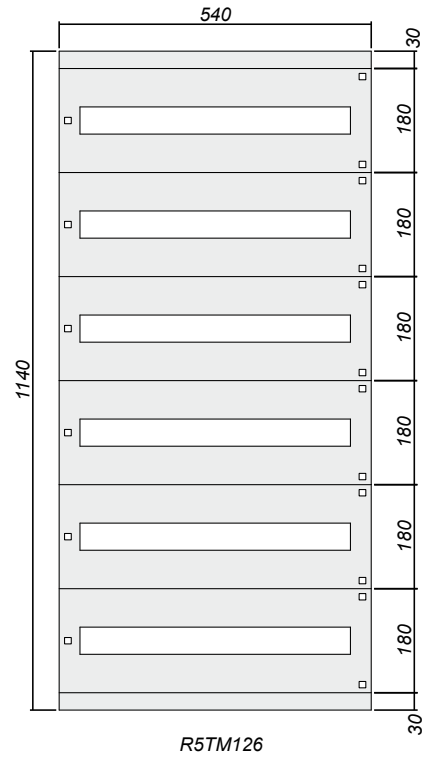
R5TM54



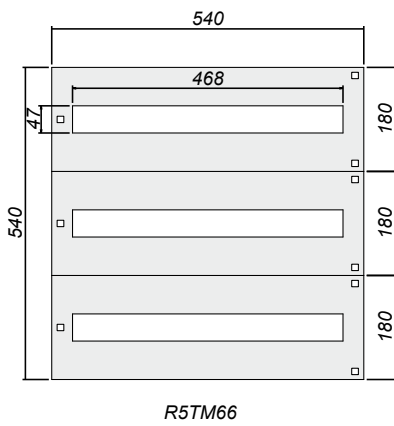
R5TM64



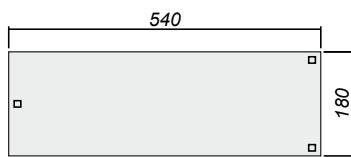
R5TM75



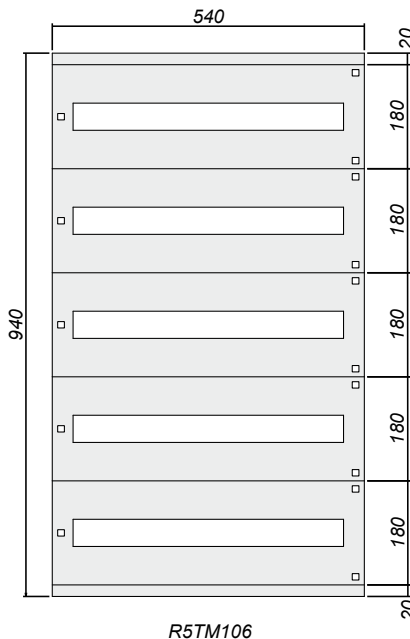
R5TM126



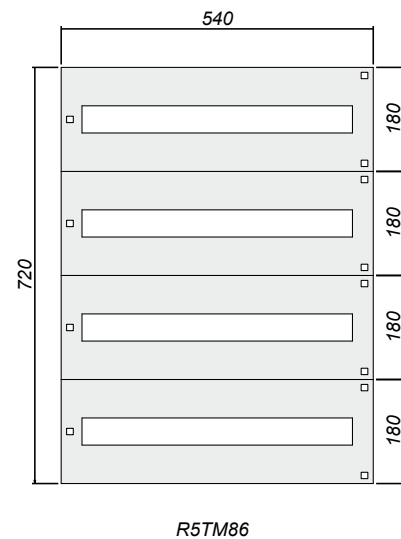
R5TM66



R5PFC64

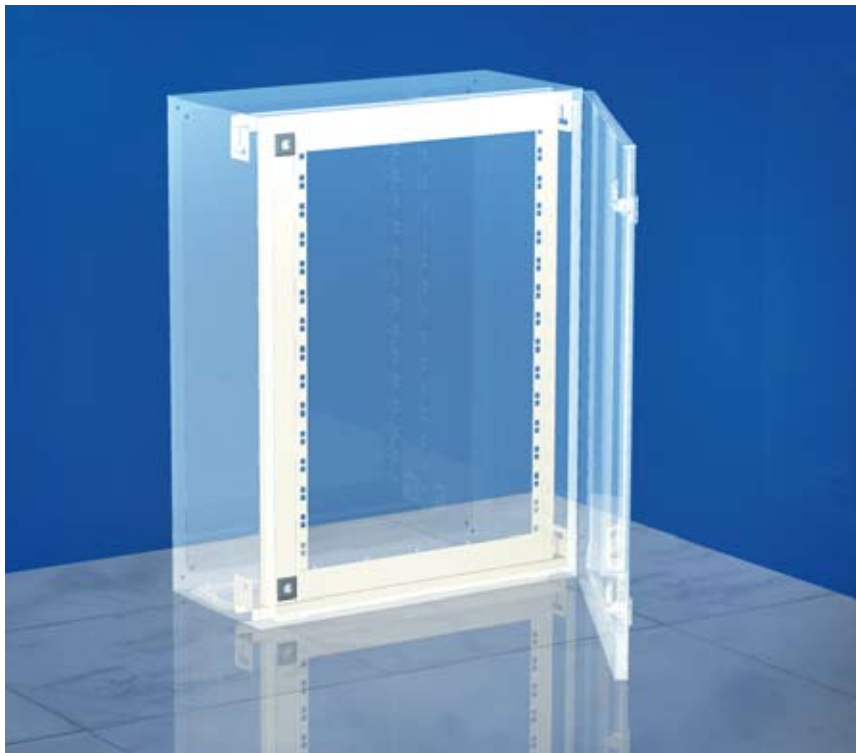


R5TM106



R5TM86

Additional box accessories

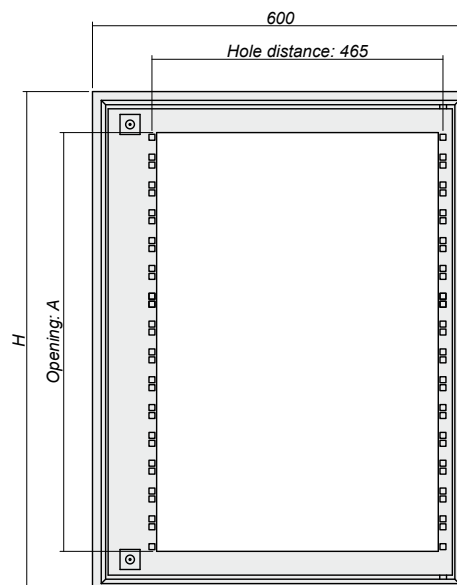


RACK SWING FRAME

- Frame and 19" door manufactured in 1,5 mm steel sheet painted with RAL 7035 textured finish
- Two locking
- Maximum opening angle: about 110°
- Max installation depth: 215 mm
- Adjustable depth from 40 to 60 mm
- Installation available in box with 300 mm depth and 600 mm width

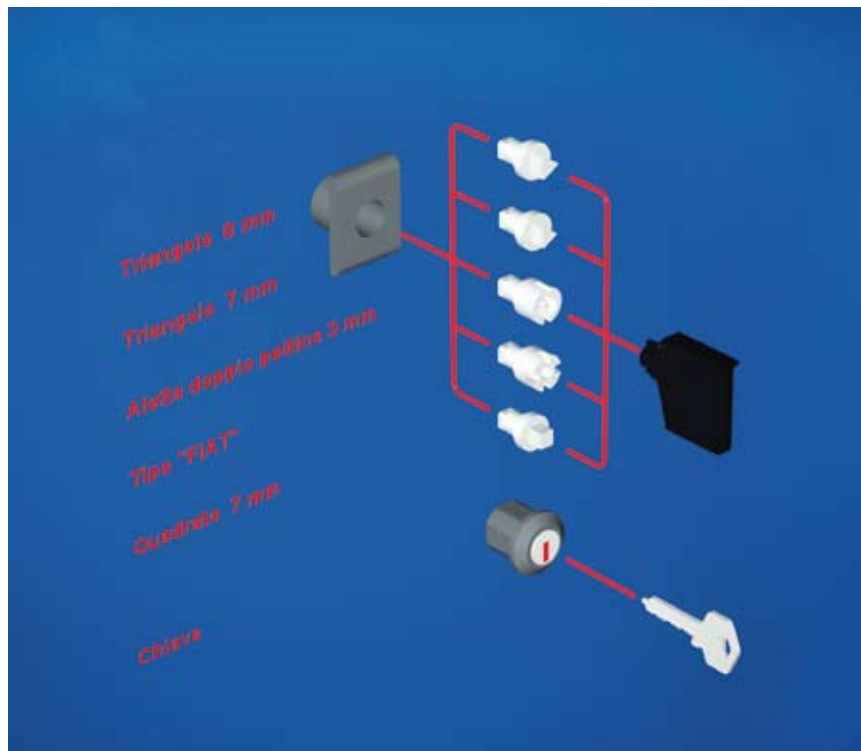
Code	Dimensions			Height unit	A
	Height H	Width L	Depth P		
R5TIE460 •	400	600	300	3	135
R5TIE461 •	400	600	300	6	268
R5TIE660 •	600	600	300	9	402
R5TIE860	800	600	300	12	535
R5TIE861	800	600	300	15	668

• Non standard box supplied on demand



Front view with 19" rack frame

Additional box accessories

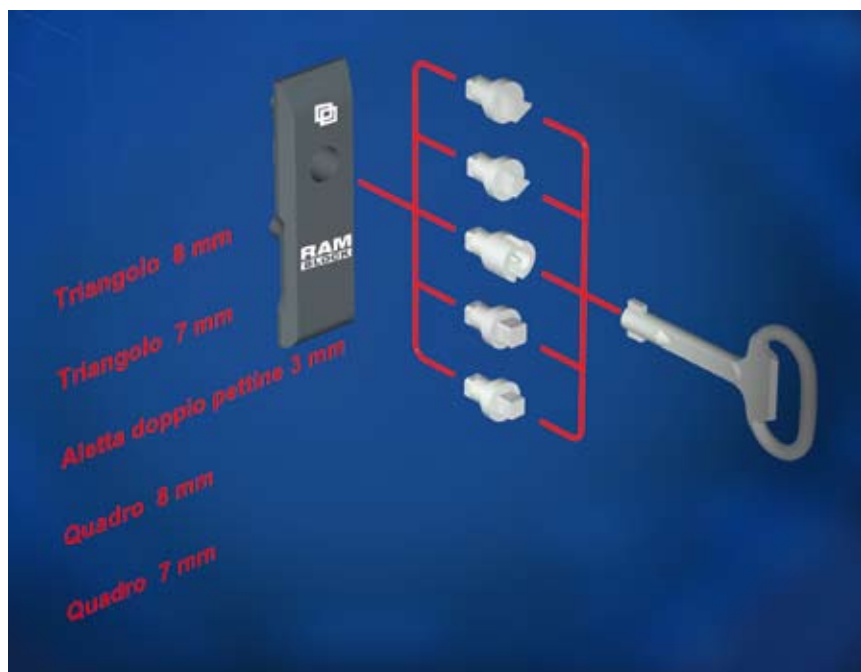


SQUARE HANDLE

locking code	description
RPCE205	Complete locking system with Ø 3 mm double-comb insert

key code	insert code	description
RPCE240	RZCE261	Ø 3 mm double-comb flyer
RPCE246	RZCE224	8 mm triangular
RPCE245	RZCE223	7 mm triangular
*RZCE237	RZCE226	"FIAT"
RPCE243	RZCE221	7 mm square
*RZCE227		Key (with same keys)
*RZCE228		Key (with different keys)

* metal key



CHIME HANDLE

locking code	description
RZCE200	Complete locking system with Ø 3 mm double-comb flyer

key code	insert code	description
RZCE230	RZCE219	Ø 3 mm double-comb flyer
RZCE236	RZCE214	8 mm triangular
RZCE235	RZCE213	7 mm triangular
RZCE234	RZCE212	8 mm square
RZCE233	RZCE211	7 mm square

Crystal screen door boxes



STRUCTURE

1,5 mm steel sheet painted with RAL/7035 textured finish.

FLAT MOUNTING PLATE

2 mm galvanized steel sheet.

DOOR

reversible, with two closing two painted RAL 7035 textured finish with sealing gasket in continuous pour.

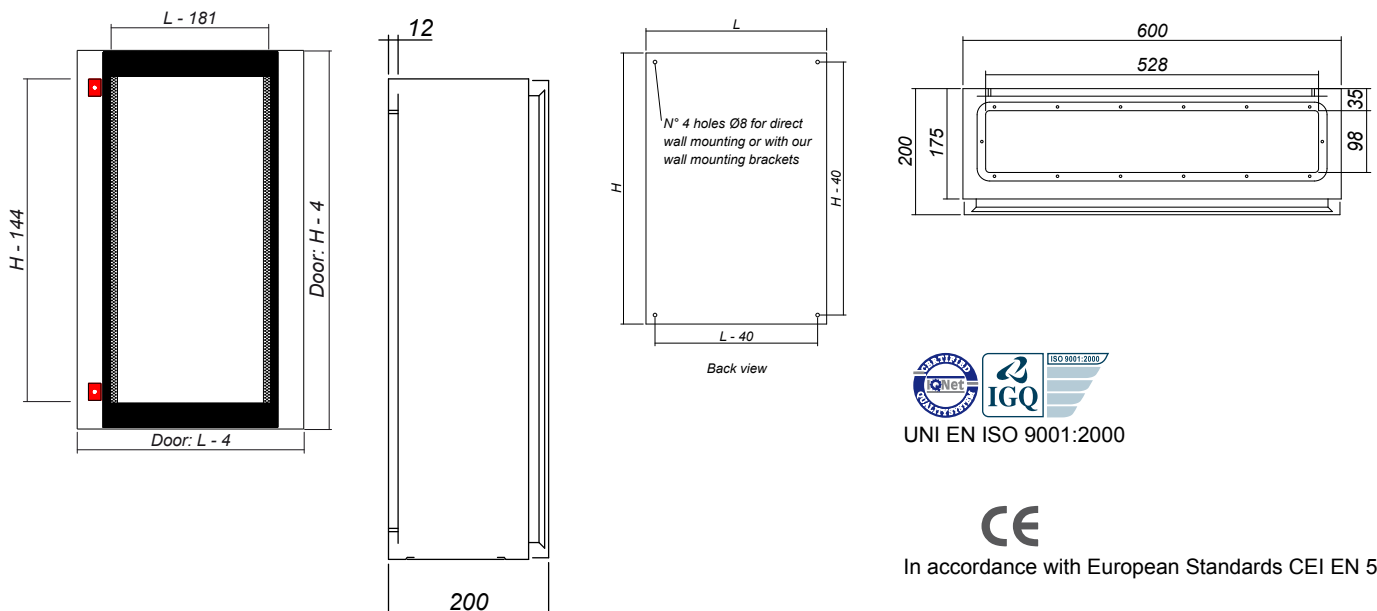
GLAND PLATE

Duly dimensioned, is fixed at the bottom of the box.

The hole in the door is protected by a silk-screened glass.

All the screw kits necessary for the assembly of the flat plate mounting and the gland plate are included.

Code	Dimensions			Degree of protection
	Height H	Width L	Depth P	
R5CEXD0662	600	600	200	IP 55 EN 60529
R5CEXD0862	800	600	200	IP 55 EN 60529
R5CEXD1062	1000	600	200	IP 55 EN 60529
R5CEXD1262	1200	600	200	IP 55 EN 60529



UNI EN ISO 9001:2000



In accordance with European Standards CEI EN 50298



Certification for shockproofing OPCM
3274 20/03/2003

Boxes CDE



The frame is manufactured in 1,5 mm steel sheet with seam welding in the junctions.

The multi-fold front edge prevents the accidental water leakage.

Inside the box there are special electrically welded rails with holes every 25 mm, suitable for mounting several accessories required for the wiring.

In the backwar, four corner holes let the enclosure be fixed to the wall, directly or by our “wall mounting brackets” (**item RZA50**). Four rubber stoppers for that holes will be supplied.

Our CDE boxes are available in three different types (blind, with flange and hinged cover) to satisfy all customer’s requirements.

The doors or the hinged covers have a sealing guaranteed by a special polyurethane gasket applied in continuous pour.

The painting is performed by epoxy polyester powder coating. RAL 7035.

A flat panel manufactured in 2 mm galvanized steel sheet is available for each box for a better potential compensation.

The degree of protection depends according to the structure of the box and is specified for every model.

Boxes CDE

Box dimensions			Box without flange	Box with flange	Box with hinged cover
height H	width L	depth P	IP 66 EN 60529 UL NEMA type 4	IP 55 EN 60529 UL NEMA type 12	IP 55 EN 60529
150	150	80	R5CDE1180		
200	200	80	R5CDE2280		R5CDE2280C
300	200	80	R5CDE3280		R5CDE3280C
400	200	80	R5CDE4280		R5CDE4280C
600	200	80	R5CDE6280		
800	200	80	R5CDE8280		
150	150	120	R5CDE11120		
200	200	120	R5CDE22120		R5CDE22120C
300	150	120	R5CDE31120		
300	200	120	R5CDE32120	R5CDE32120F	R5CDE32120C
300	300	120	R5CDE33120	R5CDE33120F	R5CDE33120C
400	200	120	R5CDE42120	R5CDE42120F	R5CDE42120C
400	300	120	R5CDE43120	R5CDE43120F	R5CDE43120C
400	400	120	R5CDE44120	R5CDE44120F	
500	200	120	R5CDE52120	R5CDE52120F	R5CDE52120C
500	300	120	R5CDE53120	R5CDE53120F	
600	200	120	R5CDE62120	R5CDE62120F	
600	300	120	R5CDE63120	R5CDE63120F	
600	400	120	R5CDE64120	R5CDE64120F	
800	200	120	R5CDE82120	R5CDE82120F	
800	400	120	R5CDE84120	R5CDE84120F	



UNI EN ISO 9001:2000



Underwriters Laboratories Canada and USA - UL 508

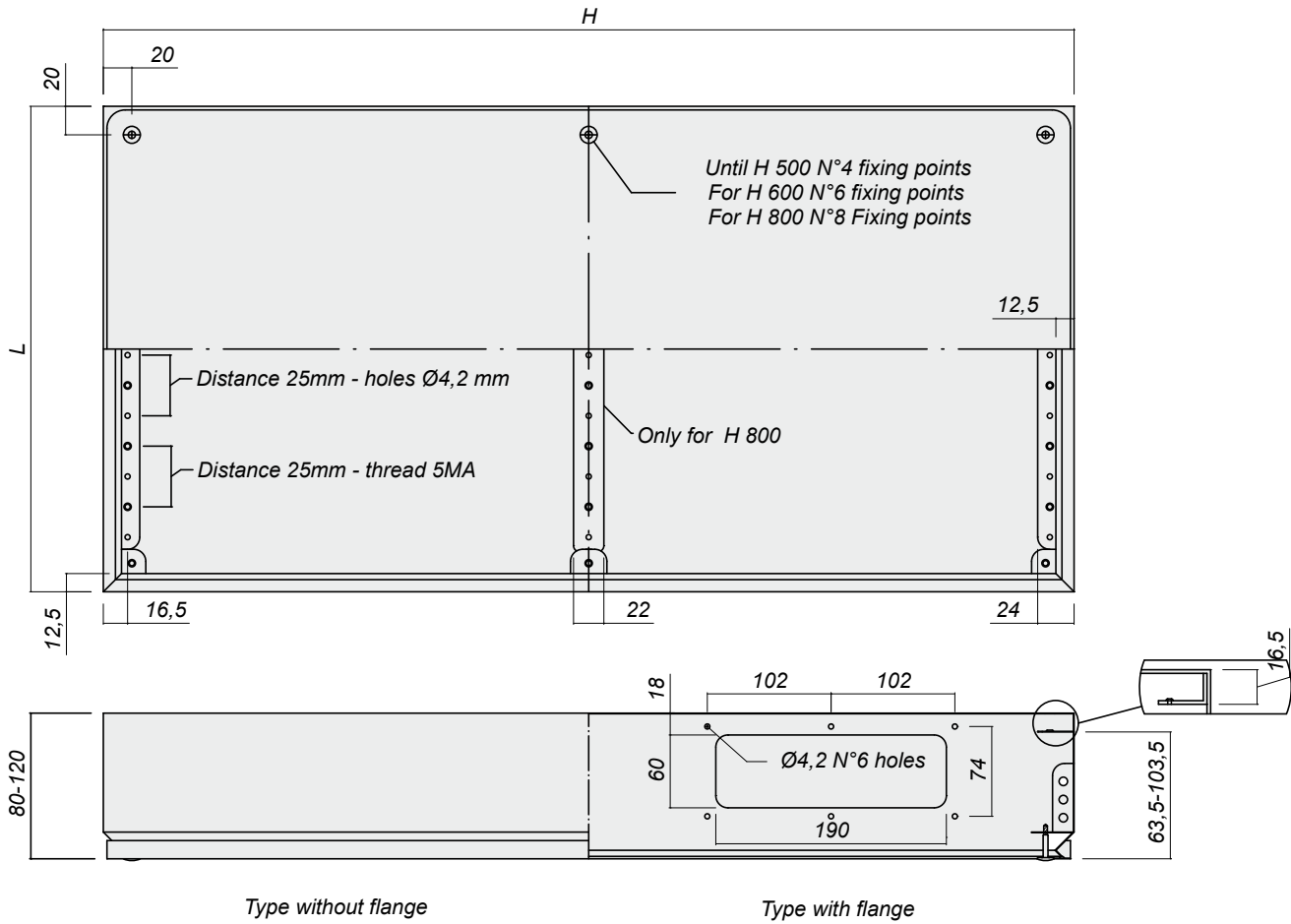


In accordance with European Standards CEI EN 50298

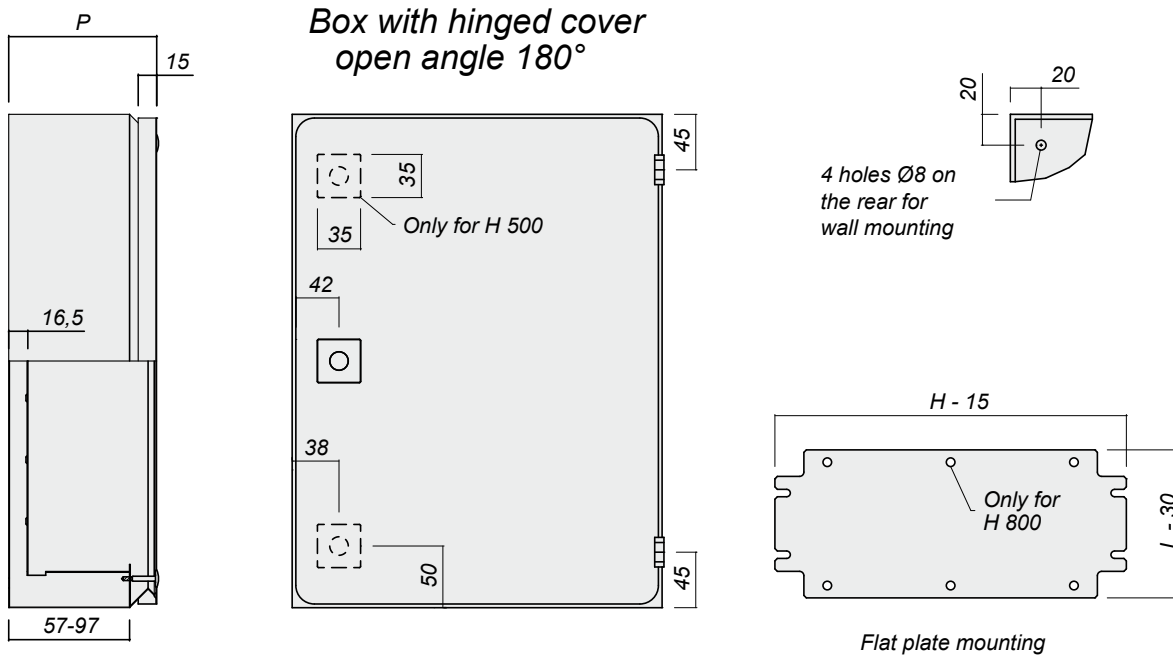


Certification for shockproofing OPCM 3274
20/03/2003

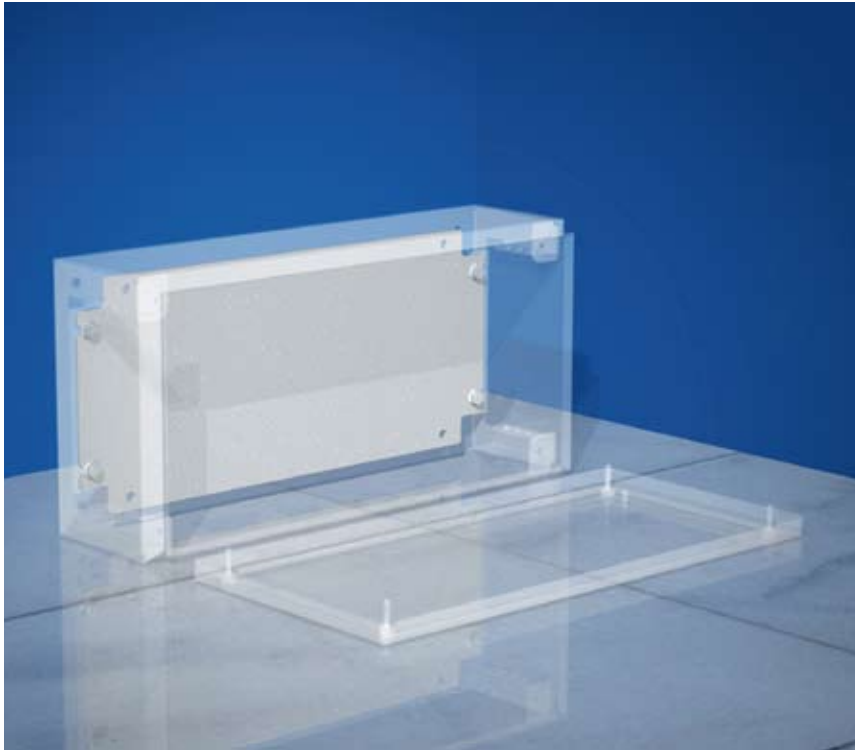
Box with screwed cover



Box with hinged cover open angle 180°

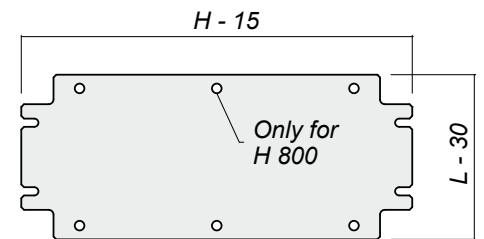


Box accessories model CDE



FLAT PLATE FOR CDE BOXES

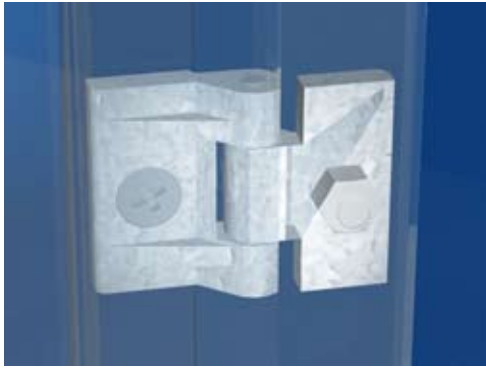
- Manufactured in 2 mm galvanized steel sheet.
- Mounted in the frame through both rails existing in the interior of the box-wall mounting.



Flat plate mounting

Code	Dimensions of CDE	
	Height H	Width L
RZCDP11	150	150
RZCDP22	200	200
RZCDP32	300	200
RZCDP42	400	200
RZCDP62	600	200
RZCDP82	800	200
RZCDP31	300	150
RZCDP33	300	300
RZCDP43	400	300
RZCDP44	400	400
RZCDP52	500	200
RZCDP53	500	300
RZCDP63	600	300
RZCDP64	600	400
RZCDP84	800	400

Box accessories model CDE



HINGE FOR CDE BOXES

item RZCDA02

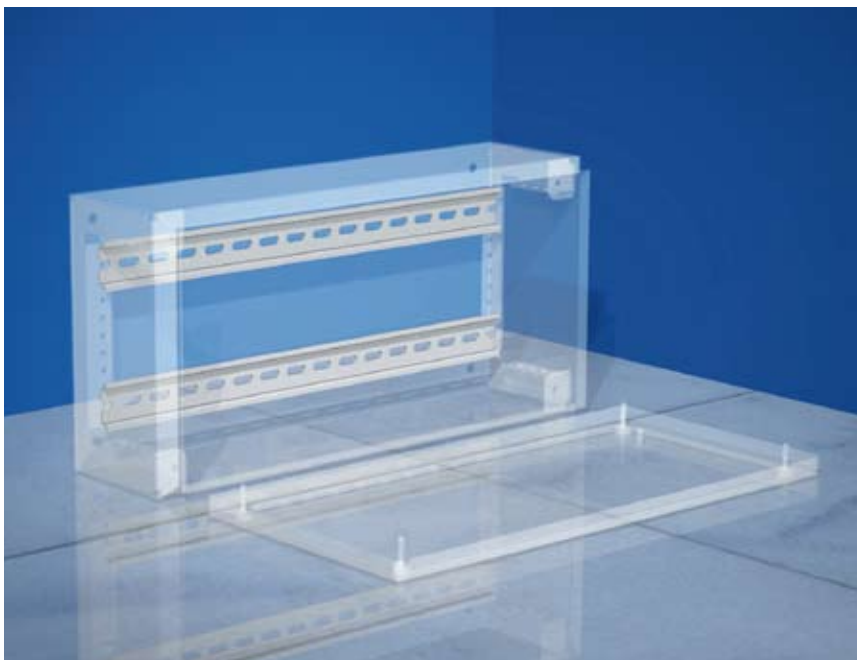
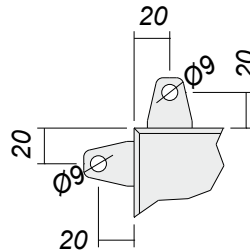
- Manufactured in die-cast zinc.
- 6 pcs. package including all mounting screws.



WALL MOUNTING BRACKETS

item RZA50

- Manufactured in 2 mm galvanized steel sheet.
- Specially suitable for wall mounting.
- 4 pcs. package including all mounting screws.
- We advice to use our item RZA55 for very heavy boxes.



DIN RAILS

- Mounted in the frame through both rails existing in the interior of the box-wall mounting.
- 10 pcs package.

Codice	Altezza cassa H
RZCDO15 ¹	150
RZCDO20 ¹	200
RZCDO30 ¹	300
RZCDO40 ¹	400
RZCDO50 ¹	500
RZCDO60 ²	600
RZCDO80 ²	800

1 - TS 35/7.5
2 - TS 35/15

SECTIONAL, VIDEO and PN desks



Our desks are built according to the most modern production standards. All working steps are made by automatic CNC machines.

The Quality is certified ISO 9001.

The frame is manufactured in 1,5 mm steel sheet with seam welding on the junctions.

The multi-fold front edge prevents the accidental water leakage.

In the bottom of the frame there are large holes for wire passage. The adjustable closing plate for bottom hole is formed by two halves.

All desks are characterized by the possibility to access to the back side of the frame. This can solve every problem due to inspections, wiring passages, cabling on the stock and any other situation.

The shelf doors are manufactured in 2 mm steel sheet. In their interior, they doors are predisposed for the montage of two special rails with hole spacing of 25 mm. These rails make the frame stronger and allow the fastening of every application.

Strong hinges, invisible from outside, allow a wide door opening up to about 130°, while the sealing is ensured by a special polyurethane gasket applied in continuous pour.

The painting is performed by epoxy polyester powder coating. RAL 7035 textured finish.

In the models "video desk" and "sectional desk" the mounting plate (wiring plate) is manufactured in 2 mm galvanized steel sheet for a better compensation of potential. This plate is mounted on two rails allowing an easy depth adjustment.

In the case of the PN model, the mounting plate is fixed at 55 mm away from the back panel.



“PN” MODEL DESK

Our modern desk PN has been modernly designed to satisfy all installation requirements demanding handiness and functionality.

A wide range of accessories is supplied guaranteeing the best versatility of the product.

Today, it is available in six different sizes.

“SECTIONAL” AND “VIDEO” DESK

The feature of our SECTIONAL desk is the possibility to compose its elements in several solutions, able to solve all user needs.

The neatness of the design, the accuracy of the finish and the wide range of accessories, put this product at the top of the automation market.

Derived from previous one, the VIDEO desk follow its fundamental conception. Characterized by a bigger depth, this model is designed to hold the monitor of one or more Personal Computer. The back panel is equipped with hinged door, just as the front panel.

Today it is available in five different sizes.

In the back side of the SECTIONAL desk there are removable panels, both on the box and the riser. Whereas in the VIDEO desk there are two doors instead of the removable panels.

Compact PN desk



FRAME

Manufactured in 1,5 mm steel sheet, painted with RAL 7035 textured finish.

UPPER DOOR

Manufactured in 2 mm steel sheet, painted with RAL 7035 textured finish, comprehensive of supporting bar for stopping blocking.

FRONT DOOR AND BACK PANEL

Manufactured in 1,5 mm steel sheet, painted with RAL 7035 textured finish.

WIRE INLET HOLE

Adjustable in two halves. Manufactured in 1,5 mm galvanized steel sheet.

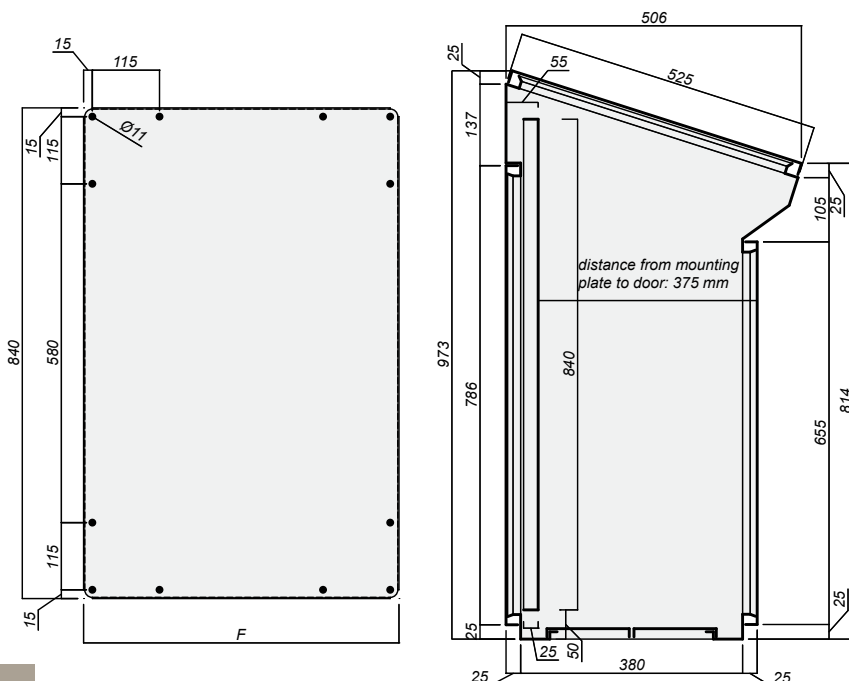
MOUNTING PLATE

Removable, manufactured in 2 mm galvanized steel sheet.

DEGREE OF PROTECTION

IP 55 EN 60529 / UL NEMA type 12.

Code	Width	Plinth	B	C	D	E	F	G
R5PN600	600	R1ZP638	547	586	596	475	540	547
R5PN800	800	R1ZP838	747	786	796	675	740	747
R5PN1000	1000	R1ZP1038	947	986	996	875	940	947
R5PN1200	1200	R1ZP1238	1147	1186	1196	475x2	1140	1147
R5PN1600	1600	R1ZP1638	1547	1586	1596	675x2	1540	1547
R5PN2000	2000	R1ZP2038	1947	1986	1996	875x2	1940	1947



UNI EN ISO 9001:2000



In accordance with the European Directives CEI EN 50298



TÜV SÜD Group

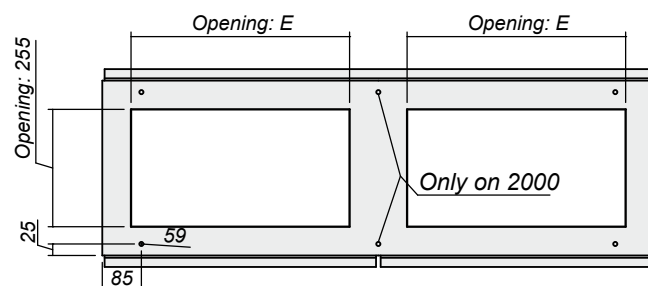
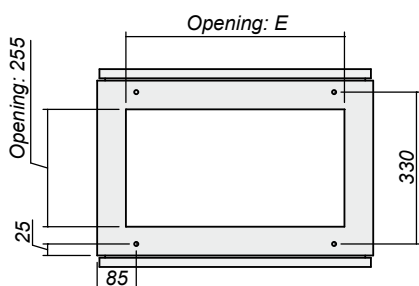
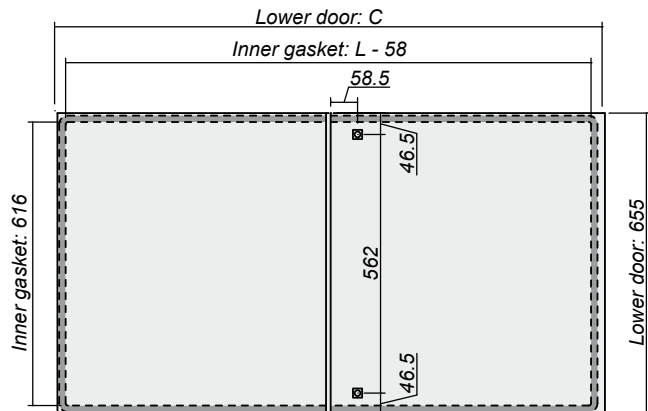
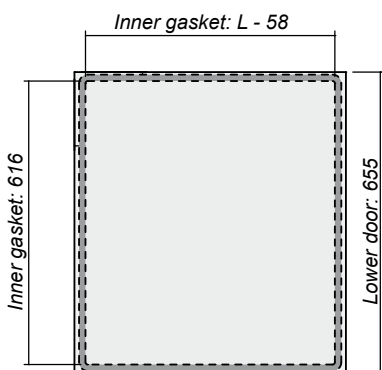
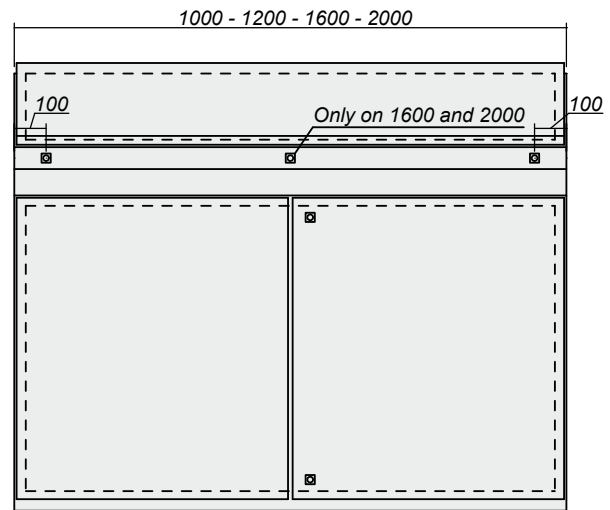
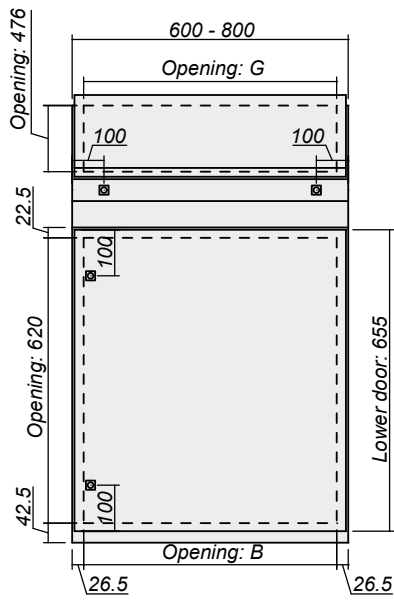
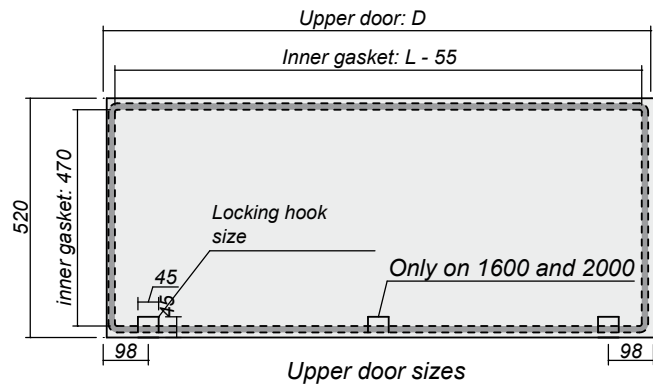
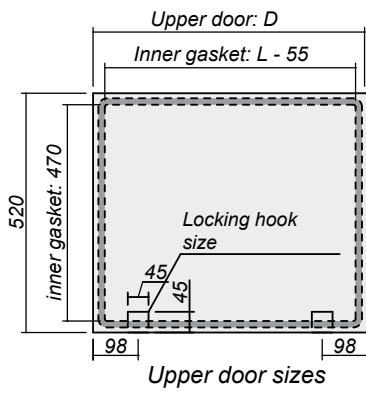


EUCENTRE

Certification for shockproofing
OPCM 3274 20/03/2003



Underwriters Laboratories
Canada and USA - UL 508



SECTIONAL desk box



FRAME

Manufactured in 1,5 mm steel sheet, painted with RAL 7035 textured finish.

DOOR AND BACK REMOVABLE PANEL

Manufactured in 1,5 mm steel sheet, painted with RAL 7035 textured finish.

WIRE INLET HOLE

Adjustable in two halves. Manufactured in 1,5 mm galvanized steel sheet.

MOUNTING PLATE

Removable, manufactured in 2 mm galvanized steel sheet adjustable in depth every 25 mm.

DEGREE OF PROTECTION

IP 55 EN 60529 / UL NEMA type 12.

Code	Width	A	B	C	D	E
R5CPC600	600	586	500	475	547	531
R5CPC800	800	786	700	675	747	731
R5CPC1000	1000	986	900	875	947	931
R5CPC1200	1200	1186	1100	1075	1147	1131
R5CPC1600	1600	1586	1500	1475	1547	1531



UNI EN ISO 9001:2000



TÜV SÜD Group



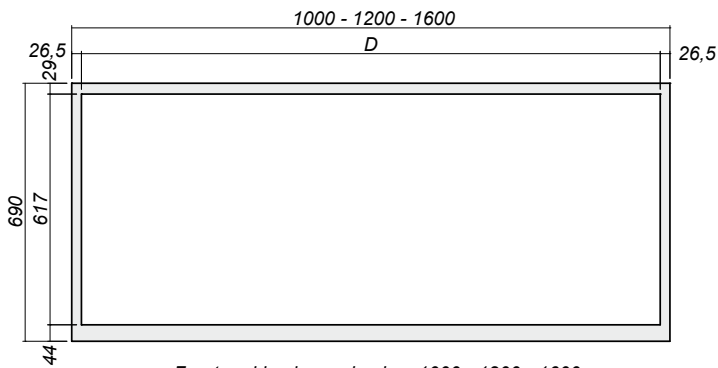
In accordance with European Standards CEI EN 50298



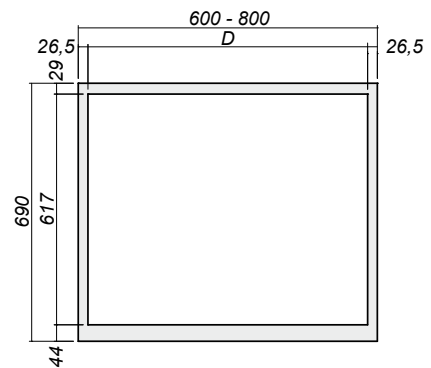
Underwriters Laboratories Canada and USA - UL 508



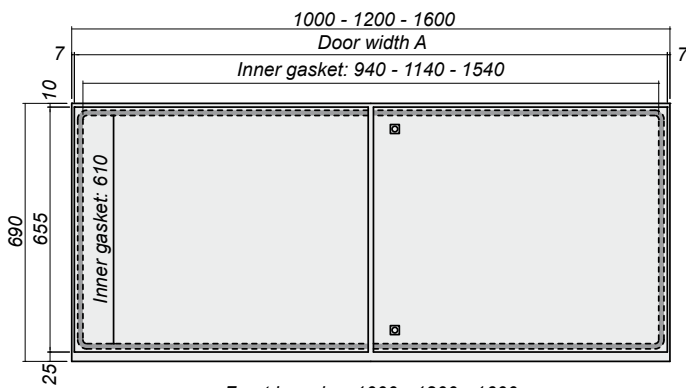
EUCENTRE Certification for shockproofing OPCM 3274 20/03/2003



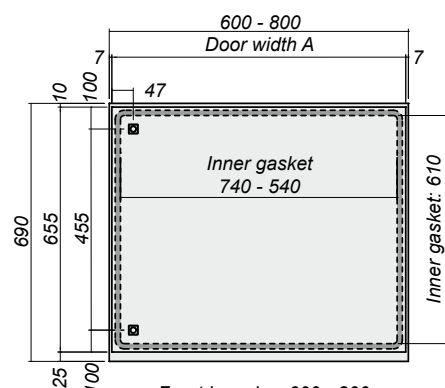
Front and back opening box 1000 - 1200 - 1600



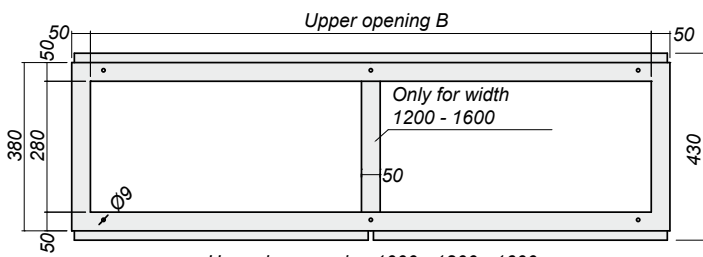
Front and back opening box 600 - 800



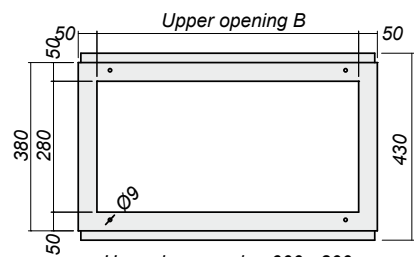
Front box view 1000 - 1200 - 1600



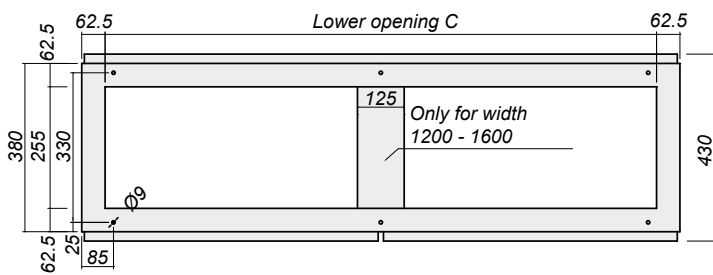
Front box view 600 - 800



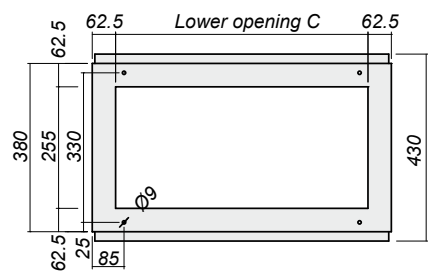
Upper box opening 1000 - 1200 - 1600



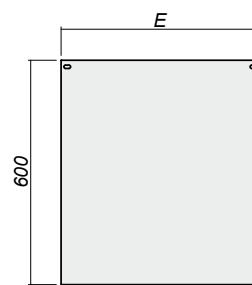
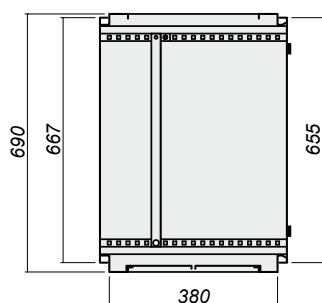
Upper box opening 600 - 800



Lower box opening 1000 - 1200 - 1600



Lower box opening 600 - 800



Mounting plate

Shelf for SECTIONAL desk



FRAME

Manufactured in 1,5 mm steel sheet, painted with RAL 7035 textured finish.

UPPER DOOR

Manufactured in 2 mm steel sheet, painted with RAL 7035 textured finish.

DEGREE OF PROTECTION

IP 55 EN 60529 / UL NEMA type 12.

- Including support bar for stopping door.

Code	Width	F	G
R5MPC600	600	547	500
R5MPC800	800	747	700
R5MPC1000	1000	947	900
R5MPC1200	1200	1147	1100
R5MPC1600	1600	1547	1500



UNI EN ISO 9001:2000



TÜV SÜD Group



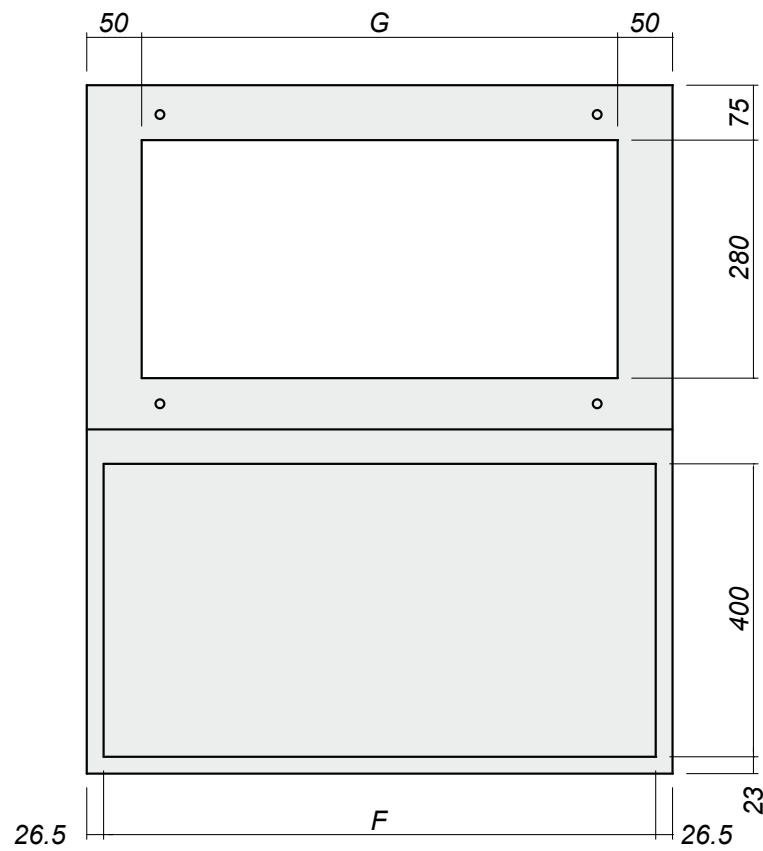
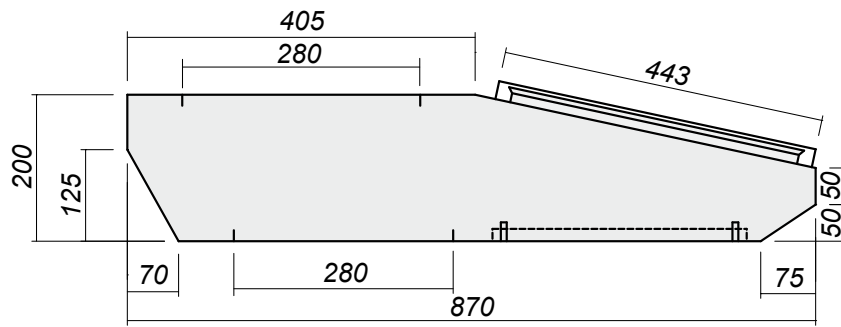
In accordance with European Standards CEI EN 50298



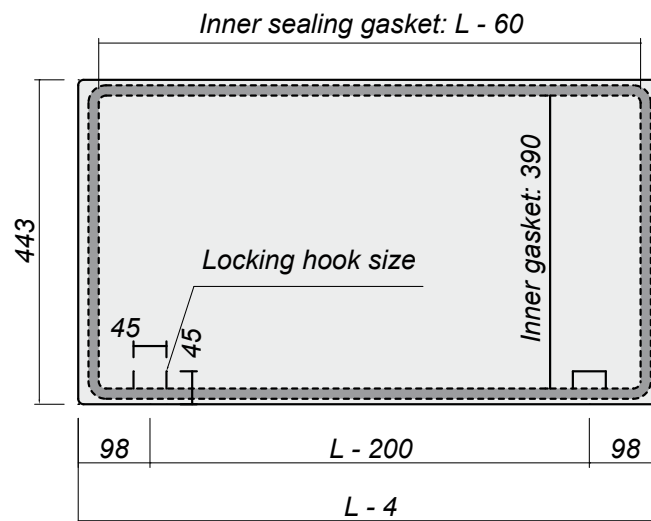
Underwriters Laboratories Canada and USA - UL 508



EUCENTRE Certification for shockproofing OPCM 3274 20/03/2003



Shelf opening



Front door

SECTIONAL desk riser



FRAME

Manufactured in 1,5 mm steel sheet, painted with RAL 7035 textured finish.

REMOVABLE BACK PANEL

Manufactured in 1,5 mm steel sheet, painted with RAL 7035 textured finish.

FRONT DOOR

Manufactured in 2 mm steel sheet, painted with RAL 7035 textured finish.

MOUNTING PLATE

Removable, manufactured in 2 mm galvanized steel sheet adjustable in depth every 25 mm.

DEGREE OF PROTECTION

IP 55 EN 60529 / UL NEMA type 12.

Code	Width	H	I	K	M
R5APC600	600	596	547	500	531
R5APC800	800	796	747	700	731
R5APC1000	1000	996	947	900	931
R5APC1200	1200	1196	1147	1100	1131
R5APC1600	1600	1596	1547	1500	1531



UNI EN ISO 9001:2000



TÜV SÜD Group



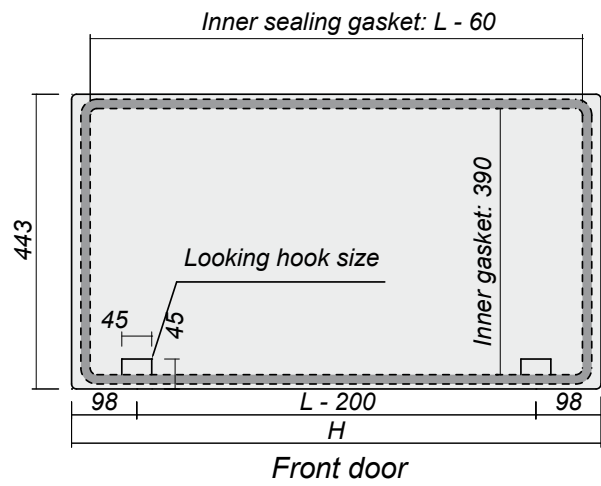
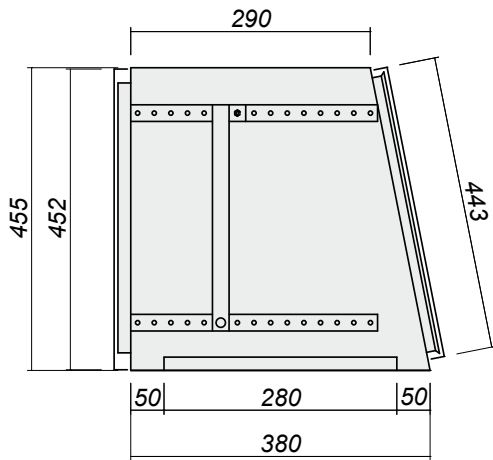
In accordance with European Standards CEI EN 50298



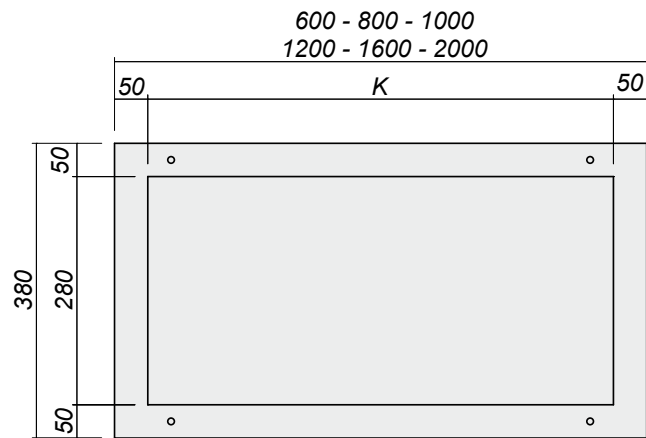
Underwriters Laboratories Canada and USA - UL 508



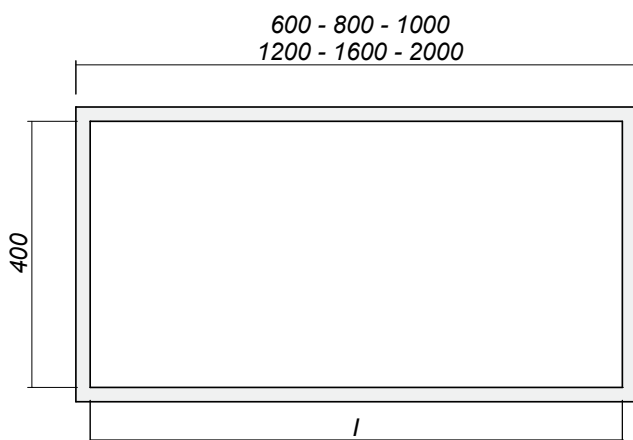
EUCENTRE Certification for shockproofing OPCM 3274 20/03/2003



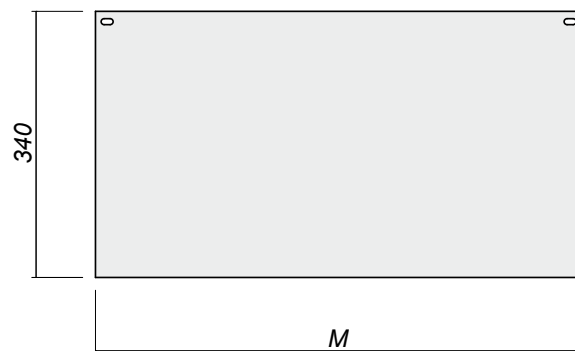
Back panel



Bottom hole



Front and back opening size



Mounting plate

Box for VIDEO desk



FRAME

Manufactured in 1,5 mm steel sheet, painted with RAL 7035 textured finish.

FRONT AND BACK DOOR

Manufactured in 1,5 mm steel sheet, painted with RAL 7035 textured finish.

WIRE INLET HOLE

Adjustable in two halves.
Manufactured in 1,5 mm galvanized steel sheet.

MOUNTING PLATE

Removable, manufactured in 2 mm galvanized steel sheet adjustable in depth every 25 mm.

DEGREE OF PROTECTION

IP 55 EN 60529 / UL NEMA type 12.

Code	Width	A	B	C	D	E
R5CPV600	600	586	500	475	547	531
R5CPV800	800	786	700	675	747	731
R5CPV1000	1000	986	900	875	947	931
R5CPV1200	1200	1186	1100	1075	1147	1131
R5CPV1600	1600	1586	1500	1475	1547	1531



UNI EN ISO 9001:2000



TÜV SÜD Group



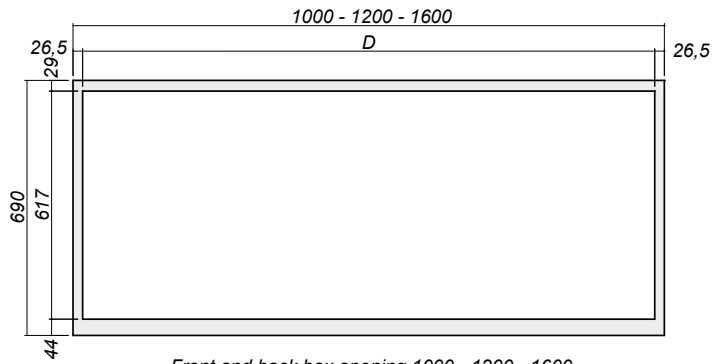
In accordance with European Standards CEI EN 50298



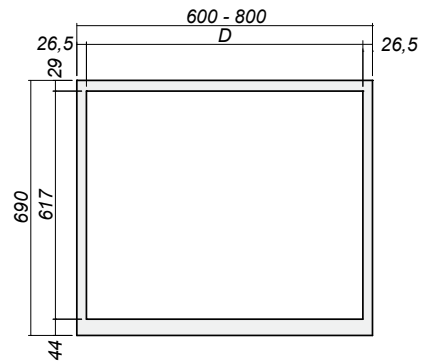
Underwriters Laboratories Canada and USA - UL 508



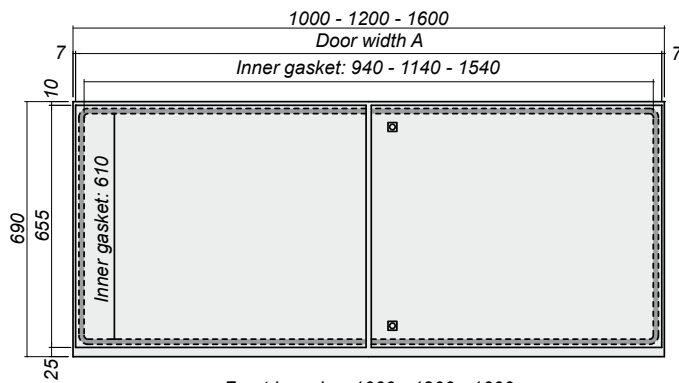
EUCENTRE Certification for shockproofing OPCM 3274 20/03/2003



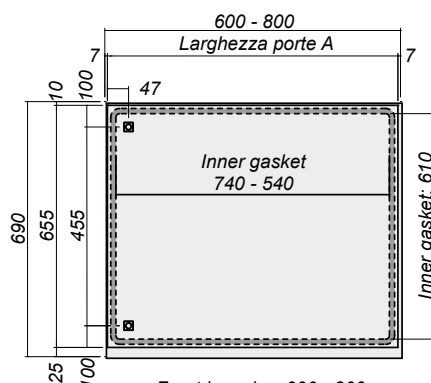
Front and back box opening 1000 - 1200 - 1600



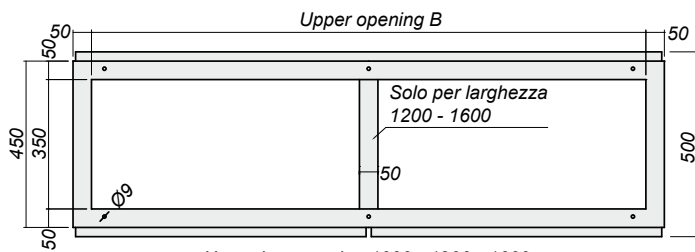
Front and back box opening 600 - 800



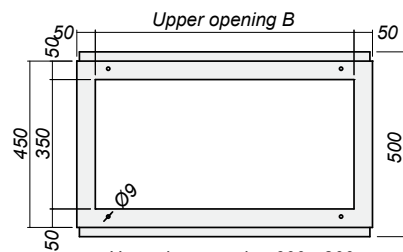
Front box view 1000 - 1200 - 1600



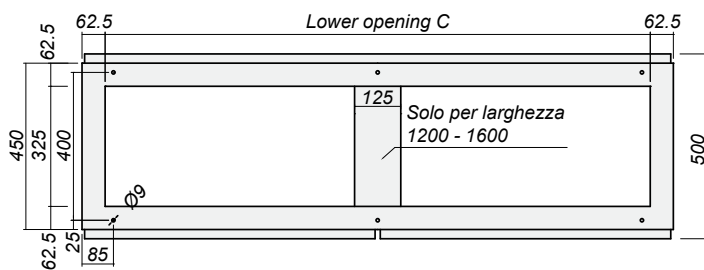
Front box view 600 - 800



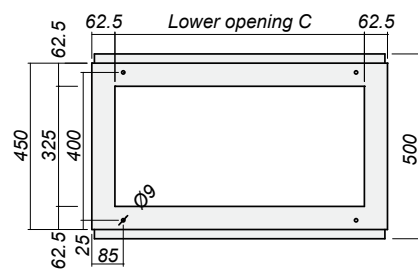
Upper box opening 1000 - 1200 - 1600



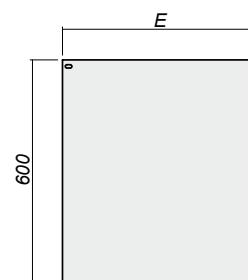
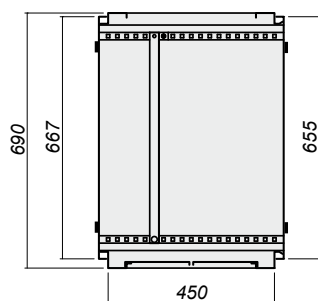
Upper box opening 600 - 800



Lower box opening 1000 - 1200 - 1600



Lower box opening 600 - 800



Mounting plate

Shelf for VIDEO desk



FRAME

Manufactured in 1,5 mm steel sheet, painted with RAL 7035 textured finish.

UPPER DOOR

Manufactured in 2 mm steel sheet, painted with RAL 7035 textured finish.

DEGREE OF PROTECTION

IP 55 EN 60529 / UL NEMA type 12

- Including support bar for stopping door.

Code	Width	F	G
R5MPV600	600	547	500
R5MPV800	800	747	700
R5MPV1000	1000	947	900
R5MPV1200	1200	1147	1100
R5MPV1600	1600	1547	1500



UNI EN ISO 9001:2000



TÜV SÜD Group



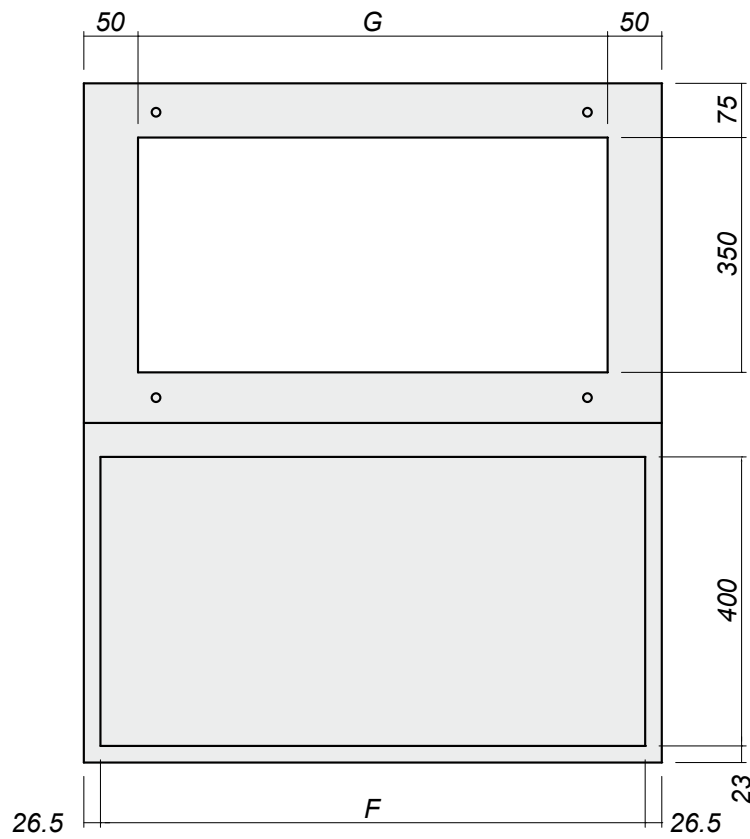
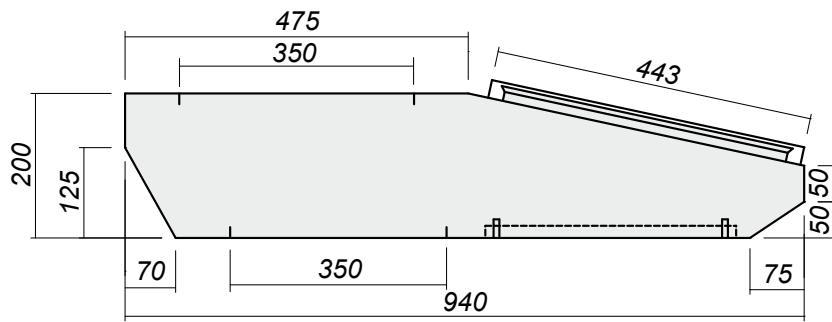
In accordance with European Standards CEI EN 50298



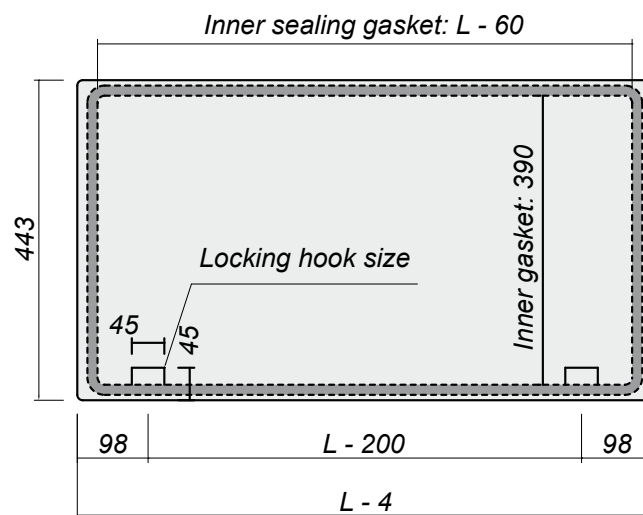
Underwriters Laboratories Canada and USA - UL 508



EUCENTRE Certification for shockproofing OPCM 3274 20/03/2003



Shelf opening



Front door

VIDEO desk riser



FRAME

Manufactured in 1,5 mm steel sheet, painted with RAL 7035 textured finish.

FRONT AND BACK DOOR

Manufactured in 2 mm steel sheet, painted with RAL 7035 textured finish including support bar for stopping door.

MOUNTING PLATE

Removable, manufactured in 2 mm galvanized steel sheet adjustable in depth every 25 mm.

DEGREE OF PROTECTION

IP 55 EN 60529 / UL NEMA type 12.

Code	Width	H	I	K	M
R5APV600	600	596	547	500	531
R5APV800	800	796	747	700	731
R5APV1000	1000	996	947	900	931
R5APV1200	1200	1196	1147	1100	1131
R5APV1600	1600	1596	1547	1500	1531



UNI EN ISO 9001:2000



TÜV SÜD Group



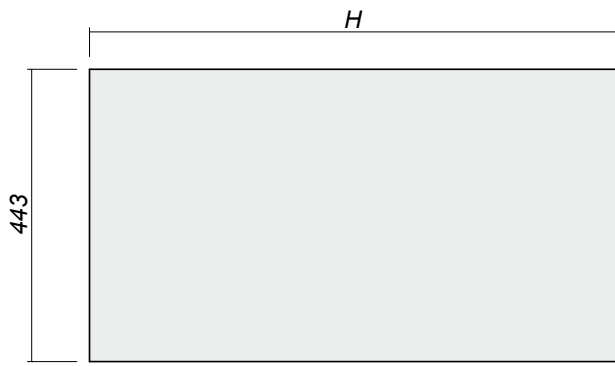
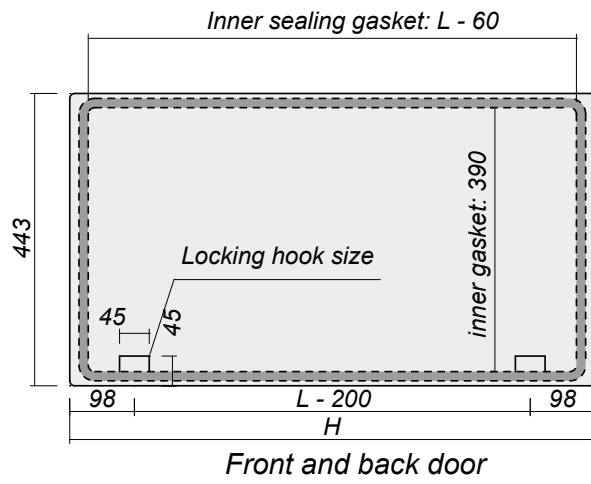
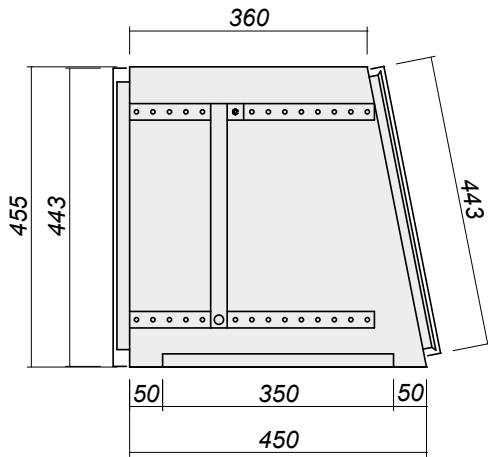
In accordance with European Standards CEI EN 50298



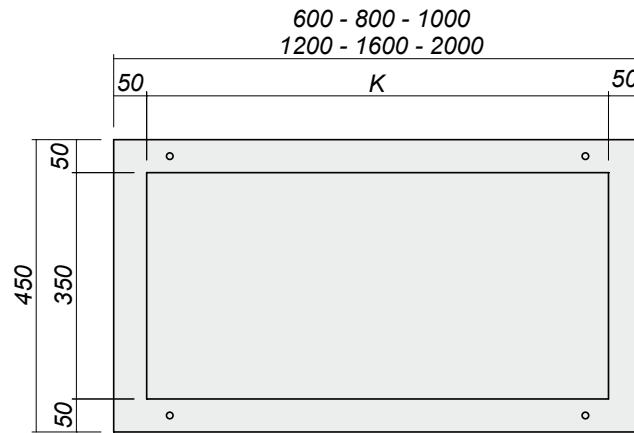
Underwriters Laboratories Canada and USA - UL 508



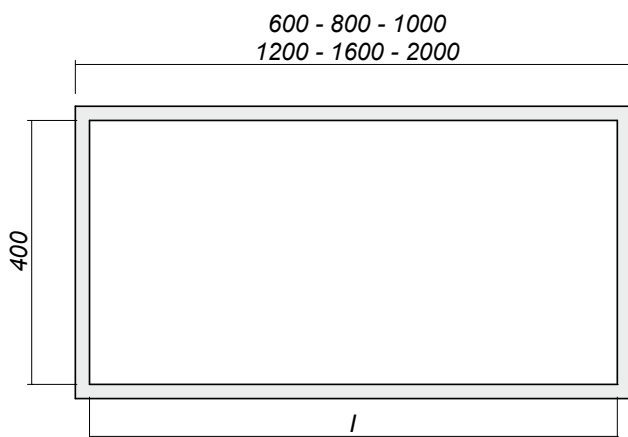
EUCENTRE Certification for shockproofing OPCM 3274 20/03/2003



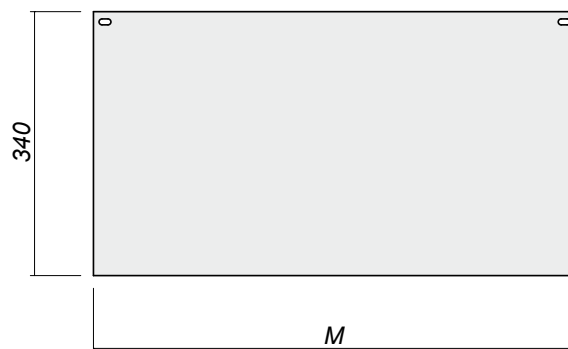
Back door



Bottom hole

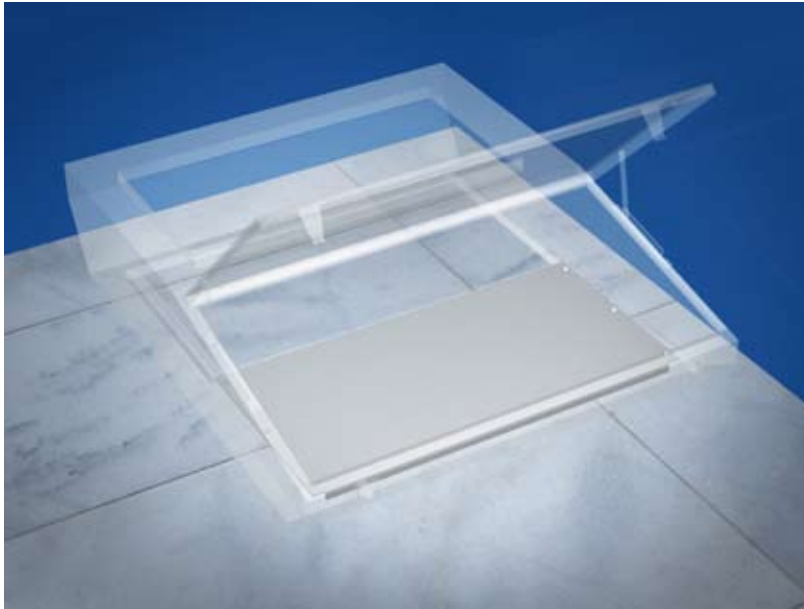


Front and back opening size



Mounting plate

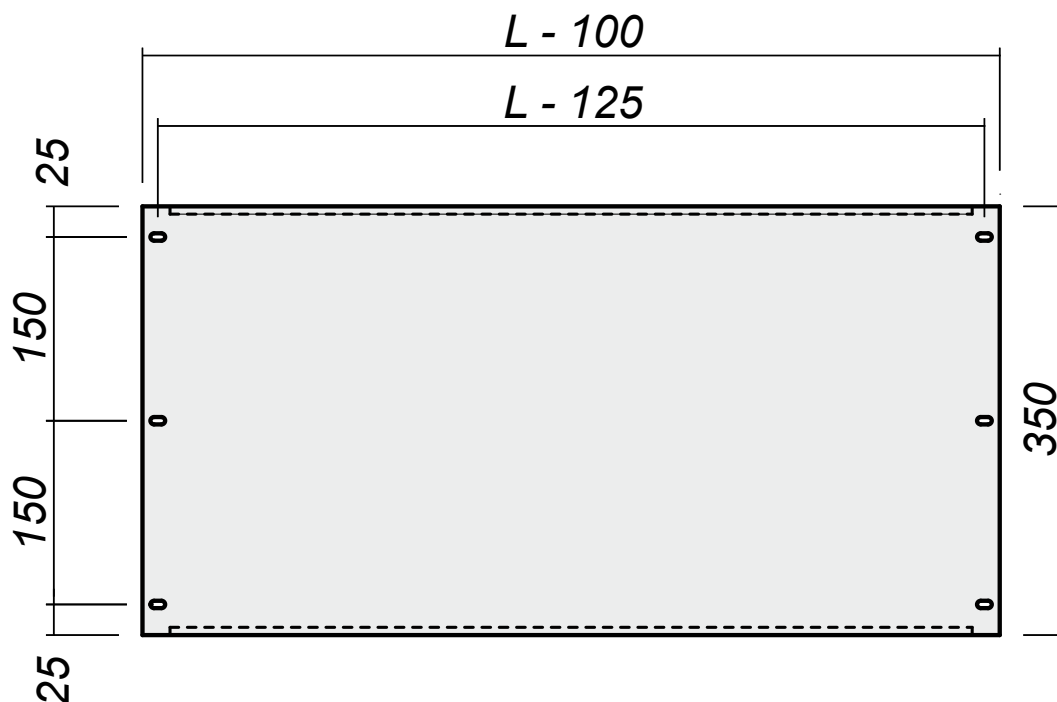
Desk accessories



SHELF MOUNTING PLATE

- Fixed in the shelf inner side, it let several equipment be mounted.
- Manufactured in 2 mm galvanized steel sheet.
- Package including all mounting screws and other accessories.

Code	Shelf width	Plate width	Plate depth
RZPPM600	600	500	350
RZPPM800	800	700	350
RZPPM1000	1000	900	350
RZPPM1200	1200	1100	350
RZPPM1600	1600	1500	350



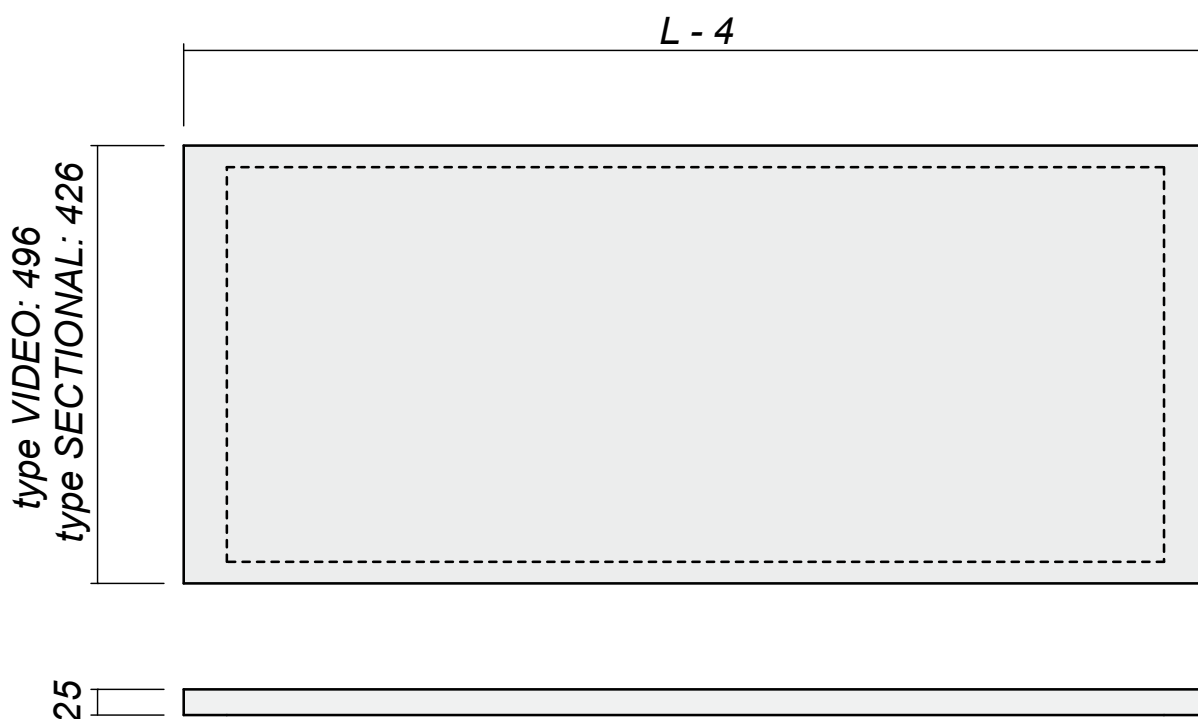
Desk accessories



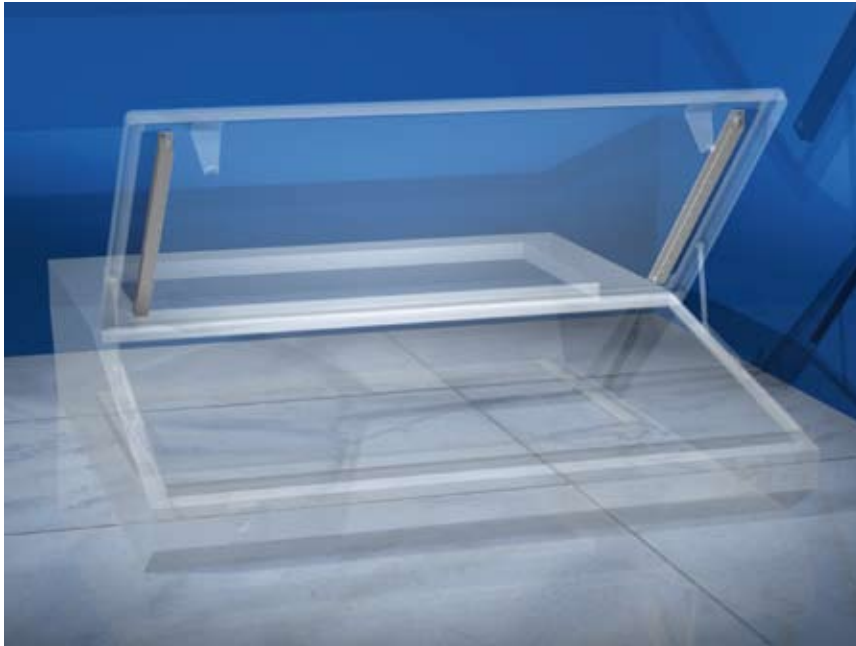
COVER FOR SECTIONAL AND VIDEO BOX

- Manufactured in 1,5 mm steel sheet, painted with RAL 7035 textured finish.
- Used as cover for box and shelves of the SECTIONAL and VIDEO series.
- Package including all mounting screws, accessories and sealing gasket.

Desk width	Cover width	SECTIONAL cover depth	SECTIONAL code	VIDEO cover depth	VIDEO code
600	596	426	R5CC600	496	R5CV600
800	796	426	R5CC800	496	R5CV800
1000	996	426	R5CC1000	496	R5CV1000
1200	1196	426	R5CC1200	496	R5CV1200
1600	1596	426	R5CC1600	496	R5CV1600



Desk accessories



DOOR RAILS

item RZS01 (for PN)

item RZS02 (for SECTIONAL and VIDEO)

- Manufactured in 1,5 mm galvanized steel sheet.
- Mounted through threaded studs, they are generally used to fix standard DIN rails.
- 2 pcs. package including all mounting screws.



DESK EYEBOLTS

item RZA34

- 2 pcs. package including all mounting screws.

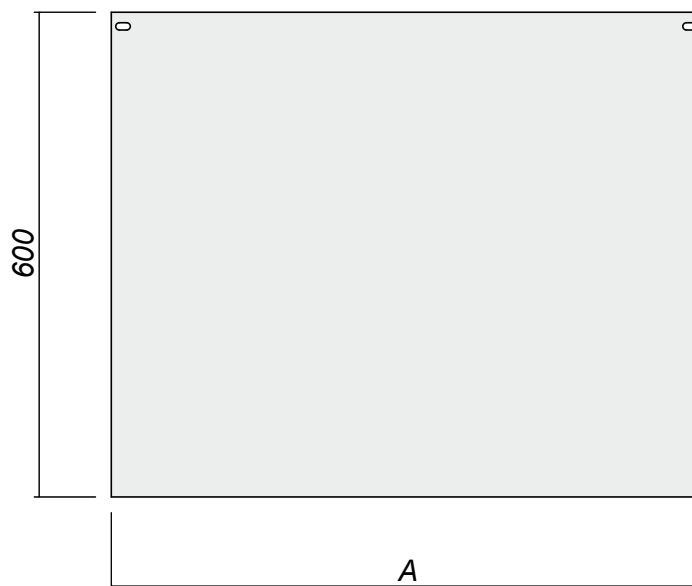
Desk accessories



ADDITIONAL MOUNTING PLATE FOR DESK BOX

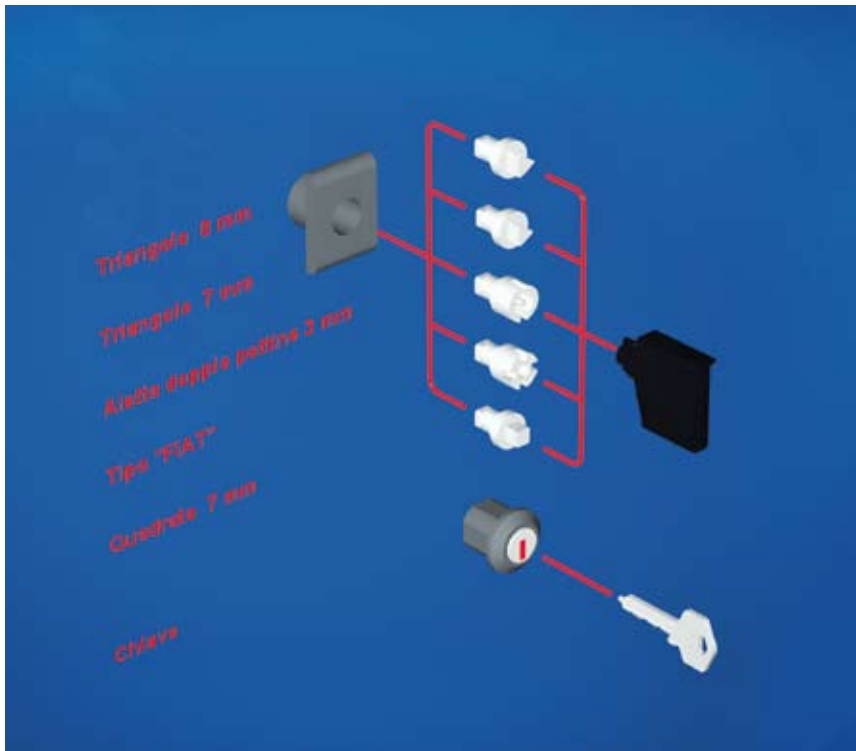
- Manufactured in 2 mm galvanized steel sheet.
- Package including all mounting screws and other accessories.

Code	Box width CPC e CPV	A	Plate height
RZPC600	600	531	600
RZPC800	800	731	600
RZPC1000	1000	931	600
RZPC1200	1200	1131	600
RZPC1600	1600	1531	600



Mounting plate size for VIDEO and SECTIONAL desk box

Desk accessories



DESK LOCKING DEVICES

locking code	description
RPCE205	Complete locking system with Ø 3 mm double-comb flyer for SECTIONAL - VIDEO box door and PN lower door
RPCE209	Complete locking system with Ø 3 mm double-comb flyer for SECTIONAL - VIDEO shelf and riser door and for PN upper door

key code	insert code	description
RPCE240	RZCE261	Ø 3 mm double-comb
RPCE246	RZCE224	8 mm triangular
RPCE245	RZCE223	7 mm triangular
*RZCE237	RZCE226	"FIAT"
RPCE243	RZCE221	7 mm square
*RZCE227		Key (with same keys)
*RZCE228		Key (with different keys)

*Metal key

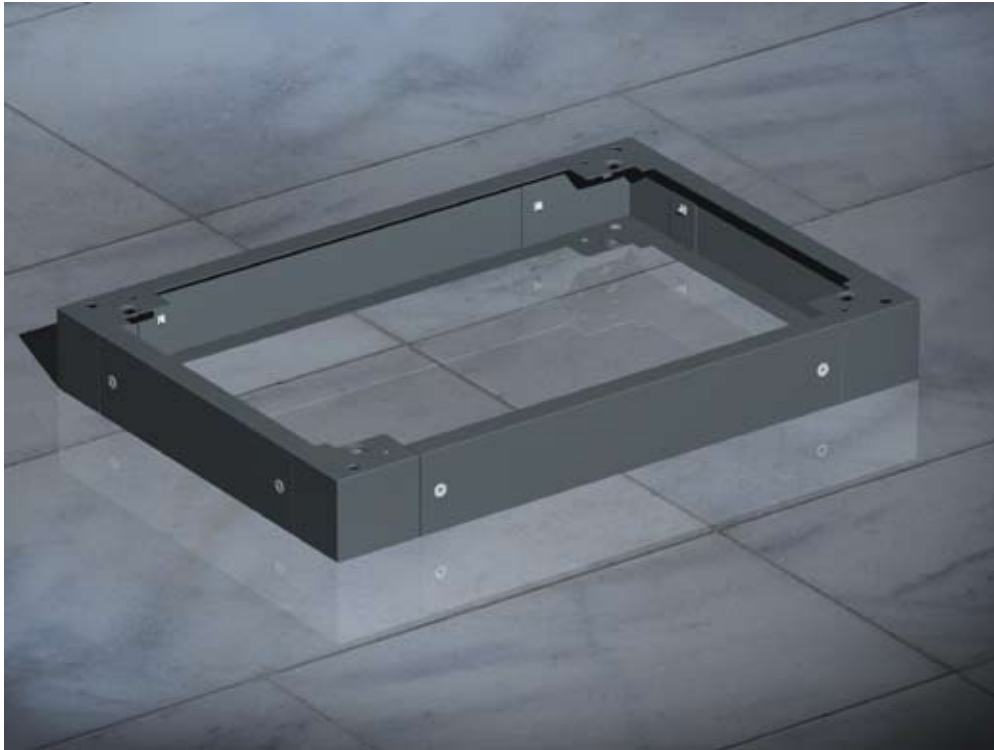


PLAN HOLDING PLASTIC POCKET

item RPA32

- 1 pcs. package.

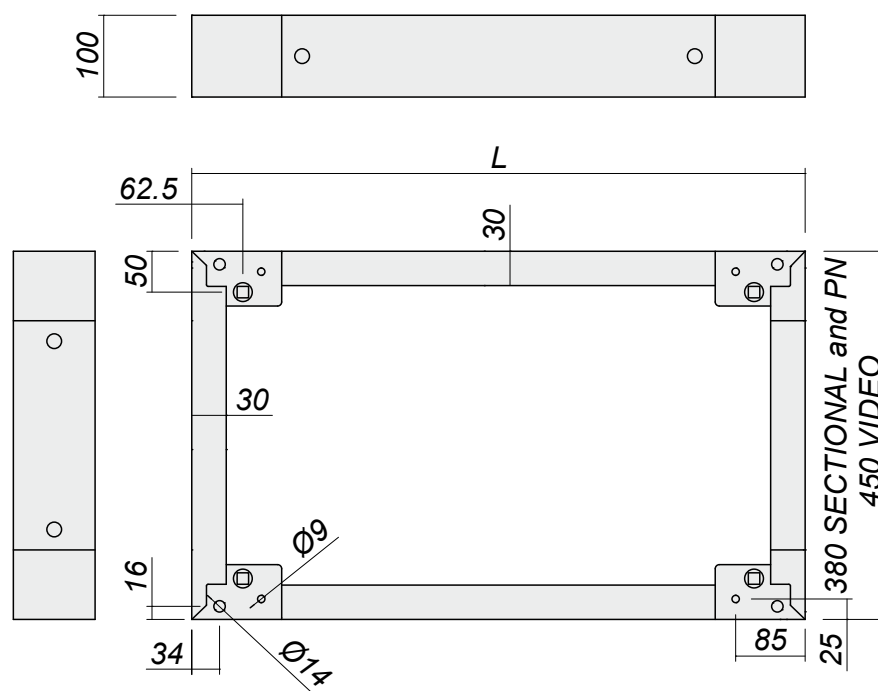
Desk accessories



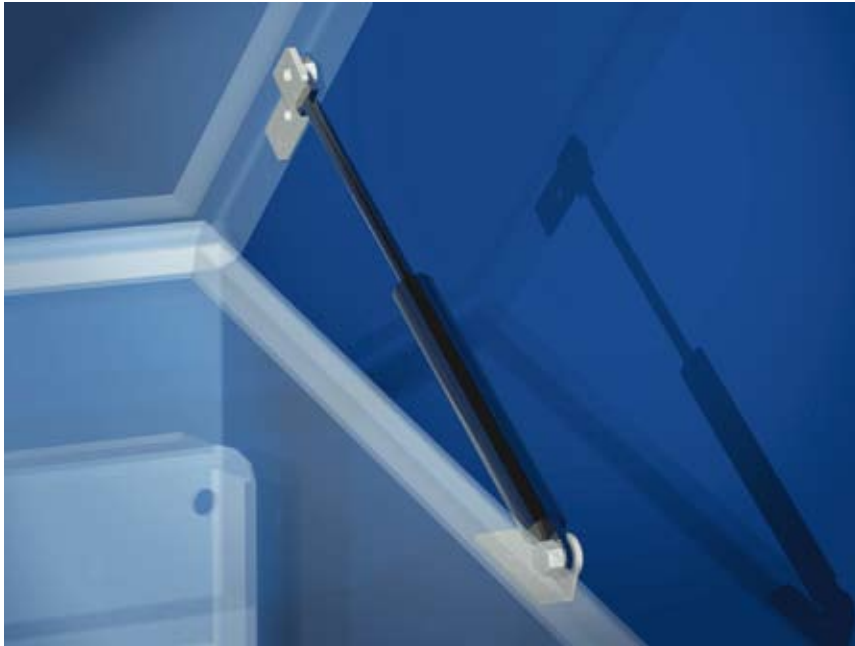
BASES FOR DESK

- Manufactured in 2 mm steel sheet, painted with RAL 7011 textured finish.
- Front, back and sides are removable to help the wiring passage.
- Height 100 mm.
- Package including all mounting screws and other accessories.

Desk width	SECTIONAL and PN series	VIDEO series
600	R1ZP638	R1ZPV645
800	R1ZP838	R1ZPV845
1000	R1ZP1038	R1ZPV1045
1200	R1ZP1238	R1ZPV1245
1600	R1ZP1638	R1ZPV1645
2000	R1ZP2038	



Desk accessories




PRESSURE GAS SPRING

- As an alternative to the standard shaft supplied with the desk.
- The spring load depends on the width of the door to lift.
- 2 pcs. package including all mounting screws.

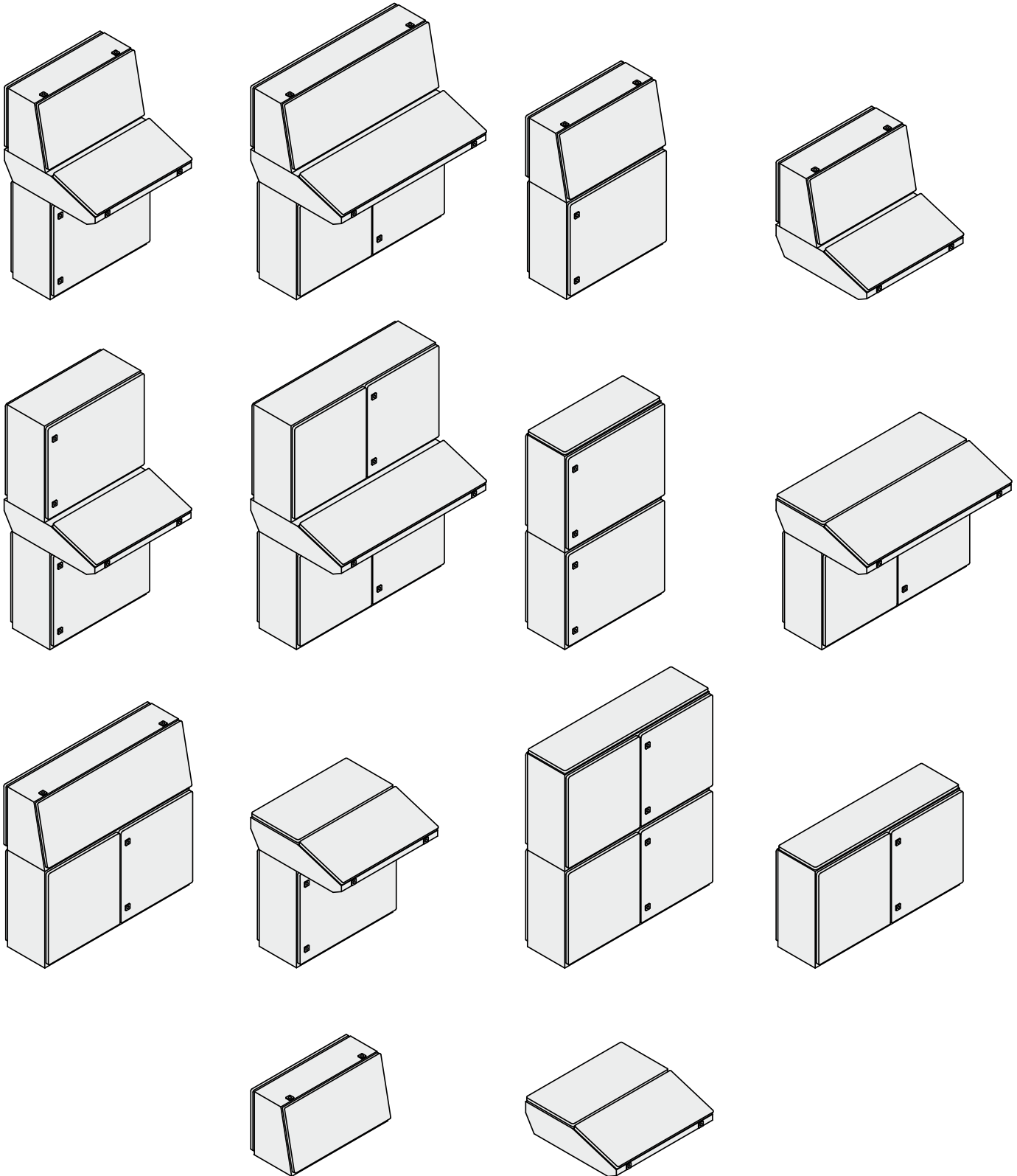
N. B.

The table below helps to choose the spring according to the whole mass (expressed in kg) of the instruments to mount on. The load is intended equally distributed on the useful surface of the upper door.

Desk width	RZMPG20	RZMPG25	RZMPG30	RZMPG35	RZMPG40
600	10	15			
800	7	13			
1000		11	17		
1200			15		
1600			11	17	
2000				13	18



Desk use opportunities



CAE compact enclosures



Our range of CAE compact enclosures is built according to the most modern production systems. All the building steps are performed by automatic CNC machines guaranteeing the greatest precision and affordability of the finished product.

The Quality is certified ISO 9001.

The structure is manufactured in 1,5 mm steel sheet with seam welding in the junctions. The multi-fold edges prevent the leakage of water accidentally dropped onto the structure and helps to increase the degree of protection. Its special frame compliance makes it particularly strong. The front and back edges are provided by an hole array, 9×9 mm square and Ø 4,2 mm round, every 25 mm allowing a quick accessories assembling.

On the bottom of the enclosure there is a practical and large hole, suitably designed for the wire inlet. The closing is assured by three removable and interchangeable gland plates to allow a useful wiring passage.

The doors are manufactured in 2 mm steel sheet. In the door inner side, a perforated frame (Ø 4,2mm) is assembled with 25 mm spacing; it is easily removable, to allow further manufacturing. This frame, beside making the door stronger, allows an easy fixing of all accessories. The door can easily replace the back removable panel.

Four hinges manufactured in die-cast zinc, invisible from the outside, enable the door to open up to about 130° in accordance with the laws in force. The way to open the door is reversible without any operation on the frame.

Four locking points make the pressure more homogeneous above the gasket and improve the sealing and lasting. A special polyurethane gasket is applied directly above the door by continuous pour

In our models the mounting plate is manufactured in 2,5 mm galvanized steel sheet for a better potential compensation



The stiffness is assured by a 25 mm high multiple “U” fold. The mounting plate is provided by special plastic rails helping the insertion into enclosure; and its placement is adjustable in depth. The installation in the frame is made by strong stirrup and has no protruding screws. The frame compliance enables the maximum setback of the mounting plate, as well as the installation of a pair of opposite mounting plates.

FREE-STANDING ENCLOSURE CAE.

The free-standing enclosure CAE was born to answer to the user requirements that needs single cabinet with very high quality and degree of protection.

They have great versatility and they are usable in every situation.

Ideal as control cabinet for machines tool;

suitable for electronic applications;

useful for low-voltage distribution.

the total agreement with CQE accessories (such doors, rear panel, mounting plates, etc.) allows a pretty design and reduces the storage costs.

Our range of free-standing enclosure CAE is built in six heights: 1000, 1200, 1400, 1600, 1800 and 2000 mm, and for everyone of its are available several sizes (6 versions until height 1600 mm and 14 for heights 1800 and 2000 mm), for a total of 52 different models. Everyone of it is available with blank door or glazed door. Hence the whole range of free-standing enclosure CAE counts 104 available models. The painting is performed by epoxy polyester powder coating. RAL 7035 textured finish.

To obtain a degree of protection IP 65 please order our blank base (**item RZFUC**).

CAE height 1 000



FRAME

sideways and upper closure manufactured in 1,5 mm steel sheet, painted with RAL 7035 textured finish. Bottom with adjustable wire inlet.

BACK

manufactured in 1,5 mm steel sheet, painted with RAL 7035 textured finish with accident-preventing rounded edges and 4 fixing points to the frame.

DEGREE OF PROTECTION

IP56 EN 60529 UL NEMA type 4.

Code	height H	enclosure dimensions	
		width L	depth P
R5CAE10630	1000	600	300
R5CAE10640	1000	600	400
R5CAE10830	1000	800	300
R5CAE10840	1000	800	400
R5CAE101030	1000	1000	300
R5CAE101040	1000	1000	400

For version "frame only" (roof, base and vertical frame) add S to the code (es. R5CAE10630S)

For blind door version add P to the code (es. R5CAE10630P)

For glazed door version add X to the code (es. R5CAE10630X)



UNI EN ISO 9001:2000



TÜV SÜD Group



In accordance with European Standards CEI EN 50298



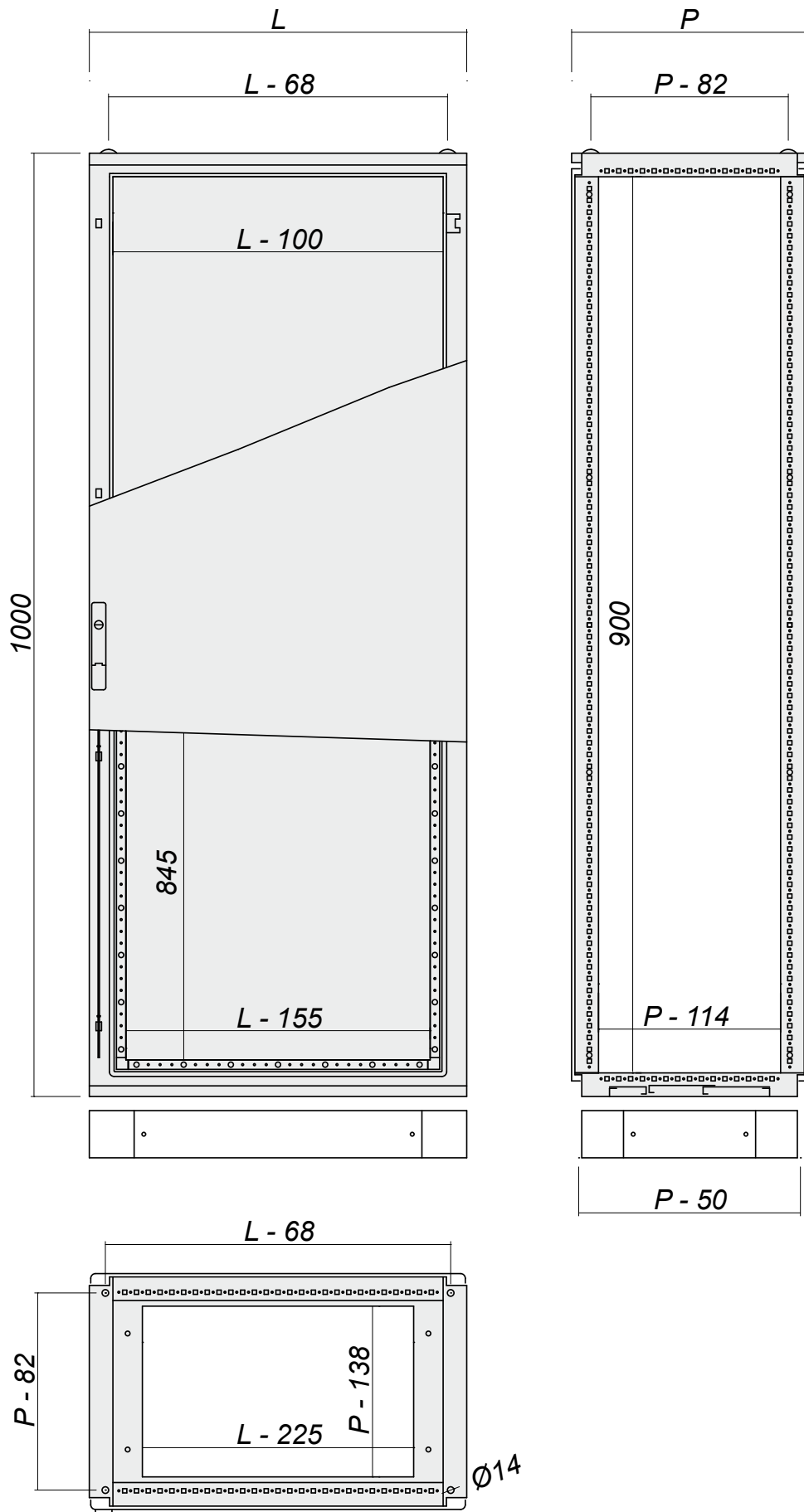
Certification for degree of protection CEI EN 60529



Underwriters Laboratories Canada and USA - UL 508



Certification for shockproofing OPCM 3274 20/03/2003



CAE height 1200



FRAME

sideways and upper closure manufactured in 1,5 mm steel sheet, painted with RAL 7035 textured finish. Bottom with adjustable wire inlet.

BACK

manufactured in 1,5 mm steel sheet, painted with RAL 7035 textured finish with accident-preventing rounded edges and 8 fixing points to the frame.

DEGREE OF PROTECTION

IP56 EN 60529 UL NEMA type 4.

Code	height H	enclosure dimensions	
		width L	depth P
R5CAE12630	1200	600	300
R5CAE12640	1200	600	400
R5CAE12830	1200	800	300
R5CAE12840	1200	800	400
R5CAE121030	1200	1000	300
R5CAE121040	1200	1000	400

For version "frame only" (roof, base and vertical frame) add S to the code (es. R5CAE12630S)

For blind door version add P to the code (es. R5CAE12630P)

For glazed door version add X to the code (es. R5CAE12630X)



UNI EN ISO 9001:2000



TÜV SÜD Group



In accordance with European Standards CEI EN 50298



Certification for degree of protection CEI EN 60529

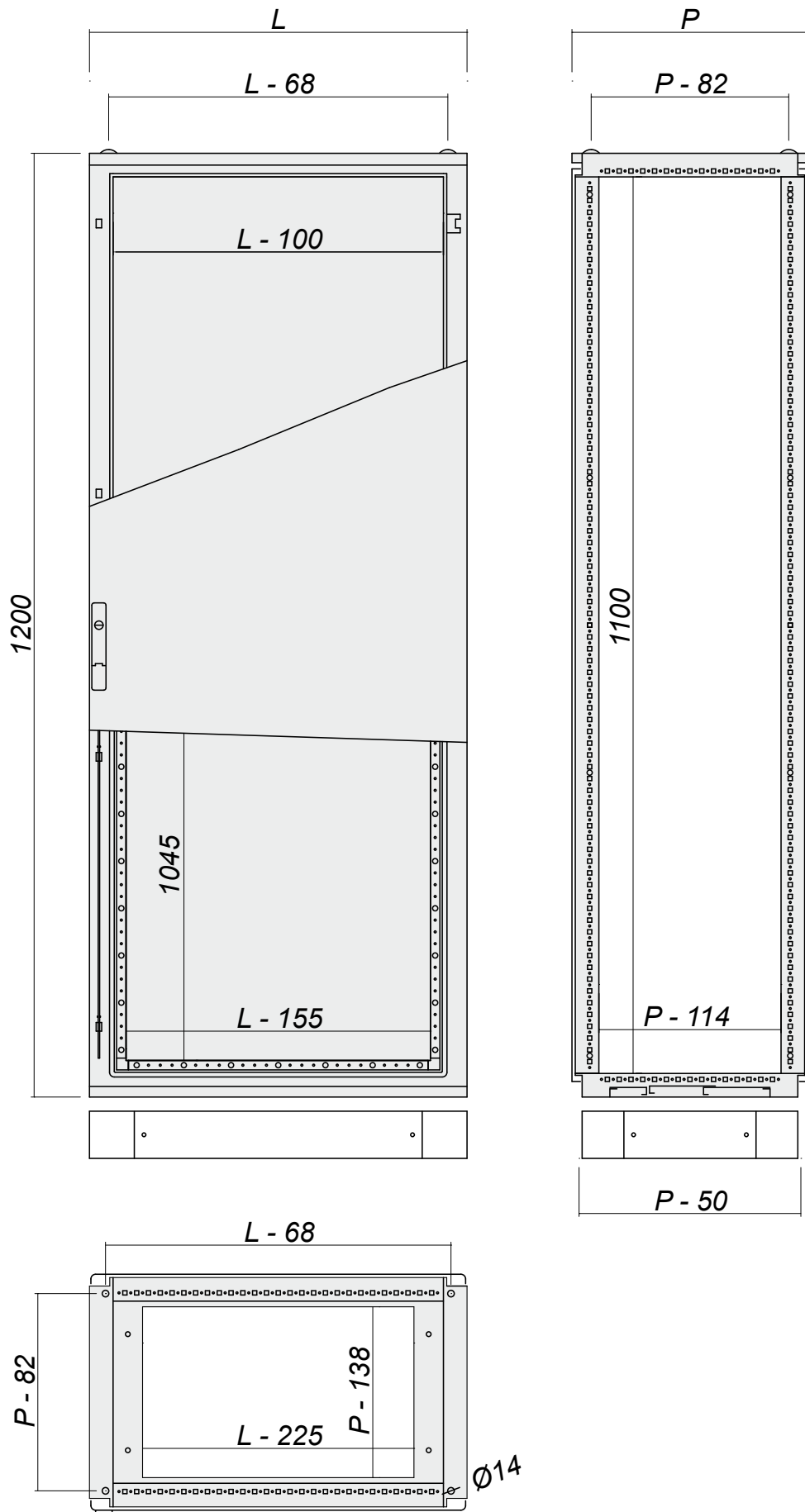


Underwriters Laboratories Canada and USA - UL 508



EUCENTRE

Certification for shockproofing OPCM 3274 20/03/2003



CAE height 1400



FRAME

sideways and upper closure manufactured in 1,5 mm steel sheet, painted with RAL 7035 textured finish. Bottom with adjustable wire inlet.

BACK

manufactured in 1,5 mm steel sheet, painted with RAL 7035 textured finish with accident-preventing rounded edges and 8 fixing points to the frame.

DEGREE OF PROTECTION

IP56 EN 60529 UL NEMA type 4.

Code	height H	enclosure dimensions	
		width L	depth P
R5CAE14630	1400	600	300
R5CAE14640	1400	600	400
R5CAE14830	1400	800	300
R5CAE14840	1400	800	400
R5CAE141030	1400	1000	300
R5CAE141040	1400	1000	400

For version "frame only" (roof, base and vertical frame) add S to the code (es. R5CAE14630S)

For blind door version add P to the code (es. R5CAE14630P)

For glazed door version add X to the code (es. R5CAE14630X)



UNI EN ISO 9001:2000



TÜV SÜD Group



In accordance with European Standards CEI EN 50298



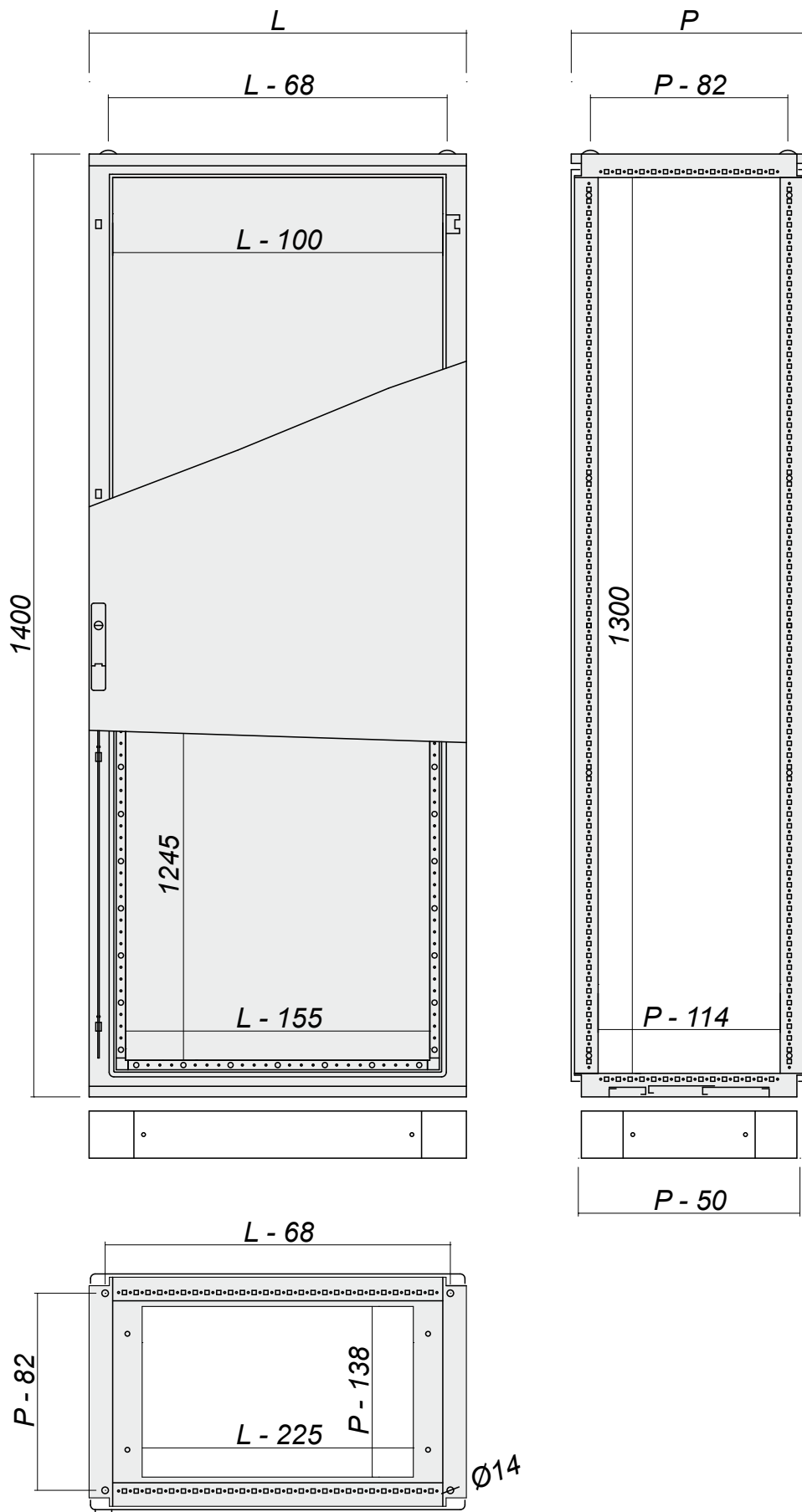
Certification for degree of protection CEI EN 60529



Underwriters Laboratories Canada and USA - UL 508



Certification for shockproofing OPCM 3274 20/03/2003



CAE height 1 600



FRAME

sideways and upper closure manufactured in 1,5 mm steel sheet, painted with RAL 7035 textured finish. Bottom with adjustable wire inlet.

BACK

manufactured in 1,5 mm steel sheet, painted with RAL 7035 textured finish with accident-preventing rounded edges and 8 fixing points to the frame.

DEGREE OF PROTECTION

IP56 EN 60529 UL NEMA type 4.

Code	enclosure dimensions		
	height H	width L	depth P
R5CAE16630	1600	600	300
R5CAE16640	1600	600	400
R5CAE16830	1600	800	300
R5CAE16840	1600	800	400
R5CAE161030	1600	1000	300
R5CAE161040	1600	1000	400

For version "frame only" (roof, base and vertical frame) add S to the code (es. R5CAE16630S)

For blind door version add P to the code (es. R5CAE16630P)

For glazed door version add X to the code (es. R5CAE16630X)



UNI EN ISO 9001:2000



TÜV SÜD Group



In accordance with European Standards CEI EN 50298



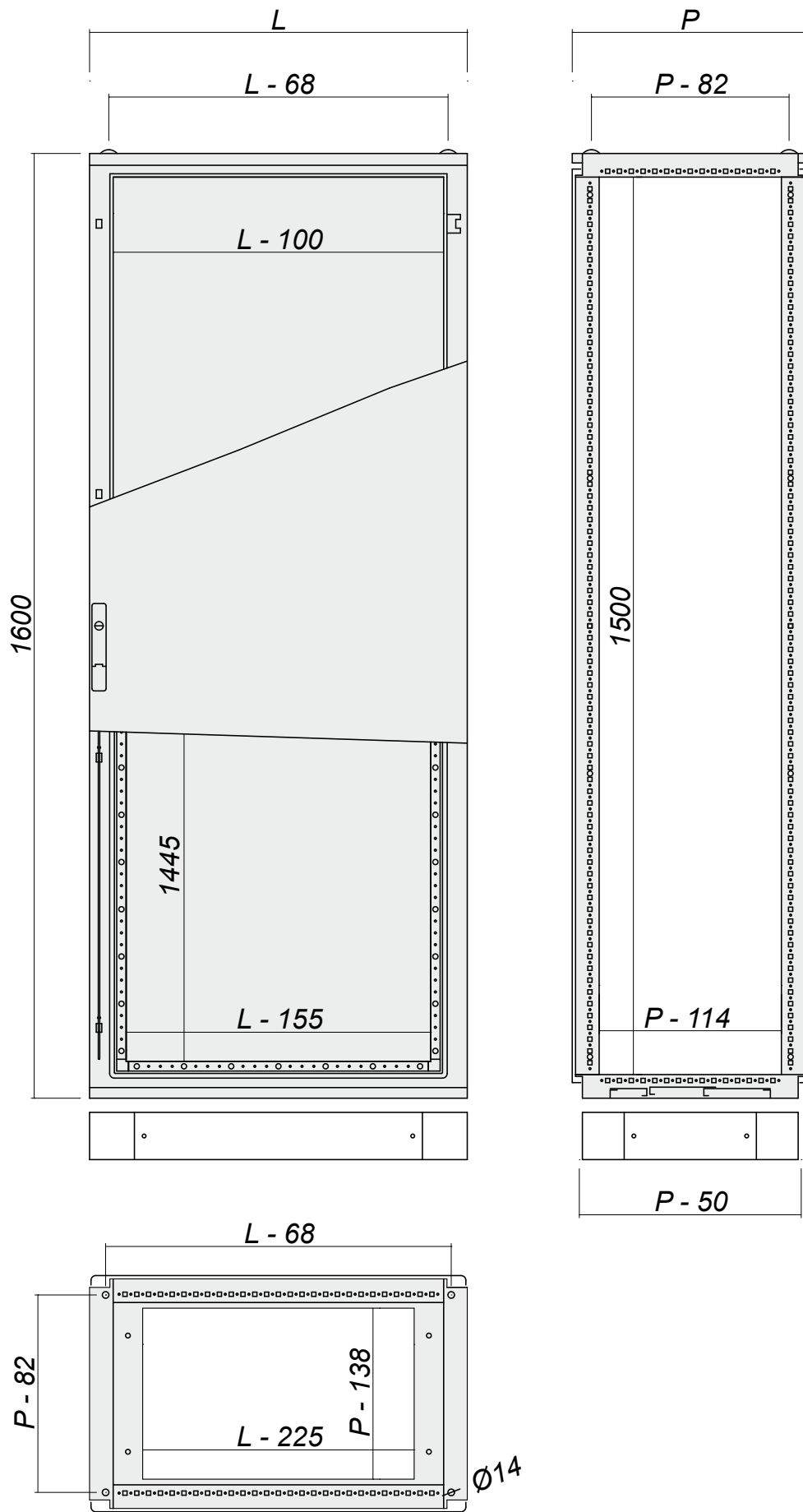
Certification for degree of protection CEI EN 60529



Underwriters Laboratories Canada and USA - UL 508



Certification for shockproofing OPCM 3274 20/03/2003



CAE height 1800



FRAME

sideways and upper closure manufactured in 1,5 mm steel sheet, painted with RAL 7035 textured finish. Bottom with adjustable wire inlet.

BACK

manufactured in 1,5 mm steel sheet, painted with RAL 7035 textured finish with accident-preventing rounded edges and 8 fixing points to the frame up to the width of 1000 mm and 10 fixing points for width 1200.

DEGREE OF PROTECTION

IP56 EN 60529 UL NEMA type 4 up to width 1000 mm and IP55 EN 60529 UL NEMA type 12 for width 1200.



UNI EN ISO 9001:2000



TÜV SÜD Group



In accordance with European Standards CEI EN 50298



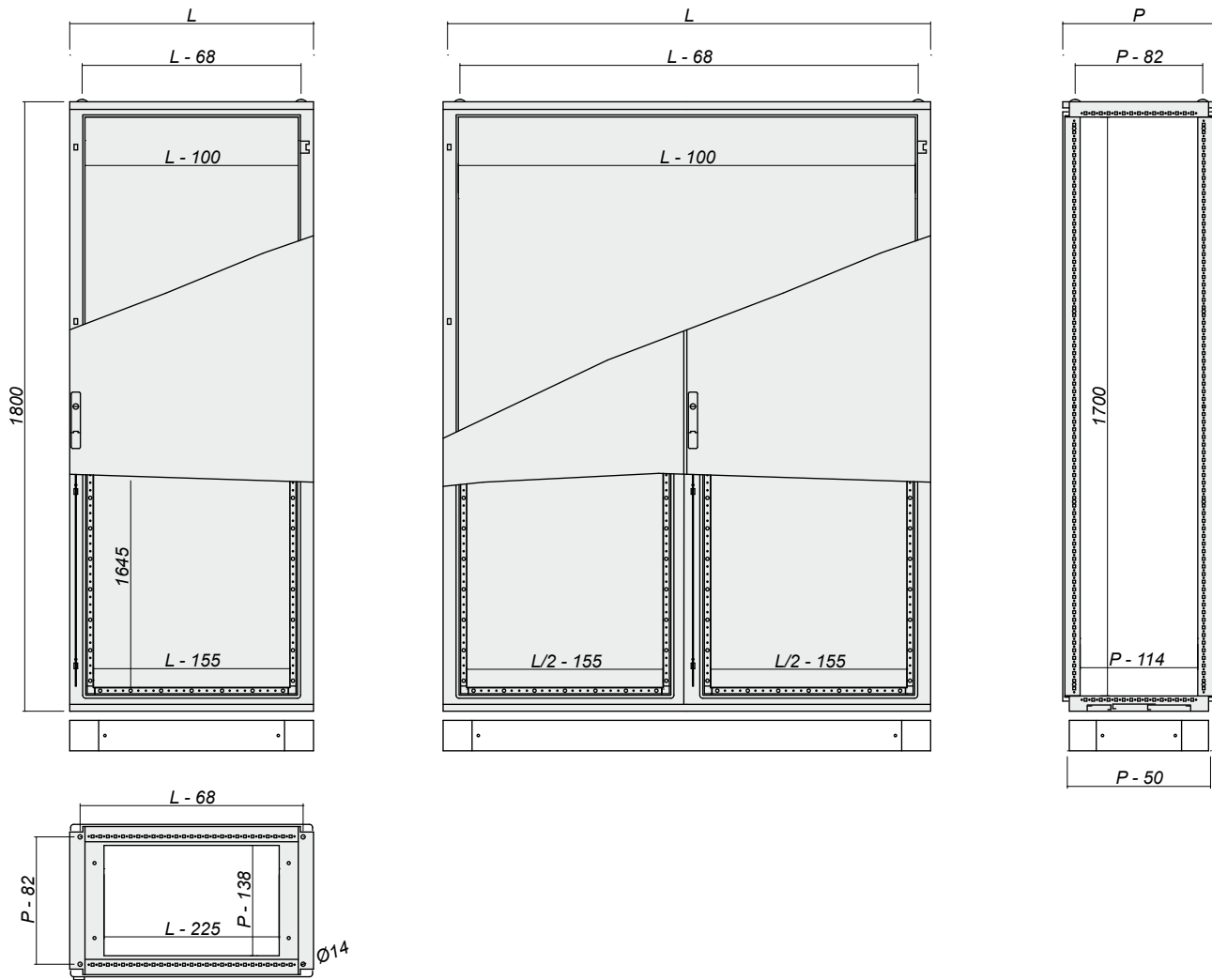
Certification for degree of protection CEI EN 60529



Underwriters Laboratories Canada and USA - UL 508



Certification for shockproofing OPCM 3274 20/03/2003



Code	enclosure dimensions		
	height H	width L	depth P
R5CAE18630 ¹	1800	600	300
R5CAE18640 ¹	1800	600	400
R5CAE18650 ¹	1800	600	500
R5CAE18660 ¹	1800	600	600
R5CAE18830 ¹	1800	800	300
R5CAE18840 ¹	1800	800	400
R5CAE18850 ¹	1800	800	500
R5CAE18860 ¹	1800	800	600
R5CAE181040 ¹	1800	1000	400
R5CAE181050 ¹	1800	1000	500
R5CAE181060 ¹	1800	1000	600
R5CAE181240 ²	1800	1200	400
R5CAE181250 ²	1800	1200	500
R5CAE181260 ²	1800	1200	600

- IP56 EN 60529 - UL NEMA type 4
- IP55 EN 60529 - UL NEMA type 12

For version "frame only" (roof, base and vertical frame) add S to the code (es. R5CAE18630S)
 For blind door version add P to the code (es. R5CAE18630P)
 For glazed door version add X to the code (es. R5CAE18630X)

CAE height 2000



FRAME

sideways and upper closure manufactured in 1,5 mm steel sheet, painted with RAL 7035 textured finish. Bottom with adjustable wire inlet.

BACK

manufactured in 1,5 mm steel sheet, painted with RAL 7035 textured finish with accident-preventing rounded edges and 8 fixing points to the frame up to the width of 1000 mm and 10 fixing points for width 1200.

DEGREE OF PROTECTION

IP56 EN 60529 UL NEMA type 4 up to width 1000 mm and IP55 EN 60529 UL NEMA type 12 for width 1200.



UNI EN ISO 9001:2000



TÜV SÜD Group



In accordance with European Standards CEI EN 50298



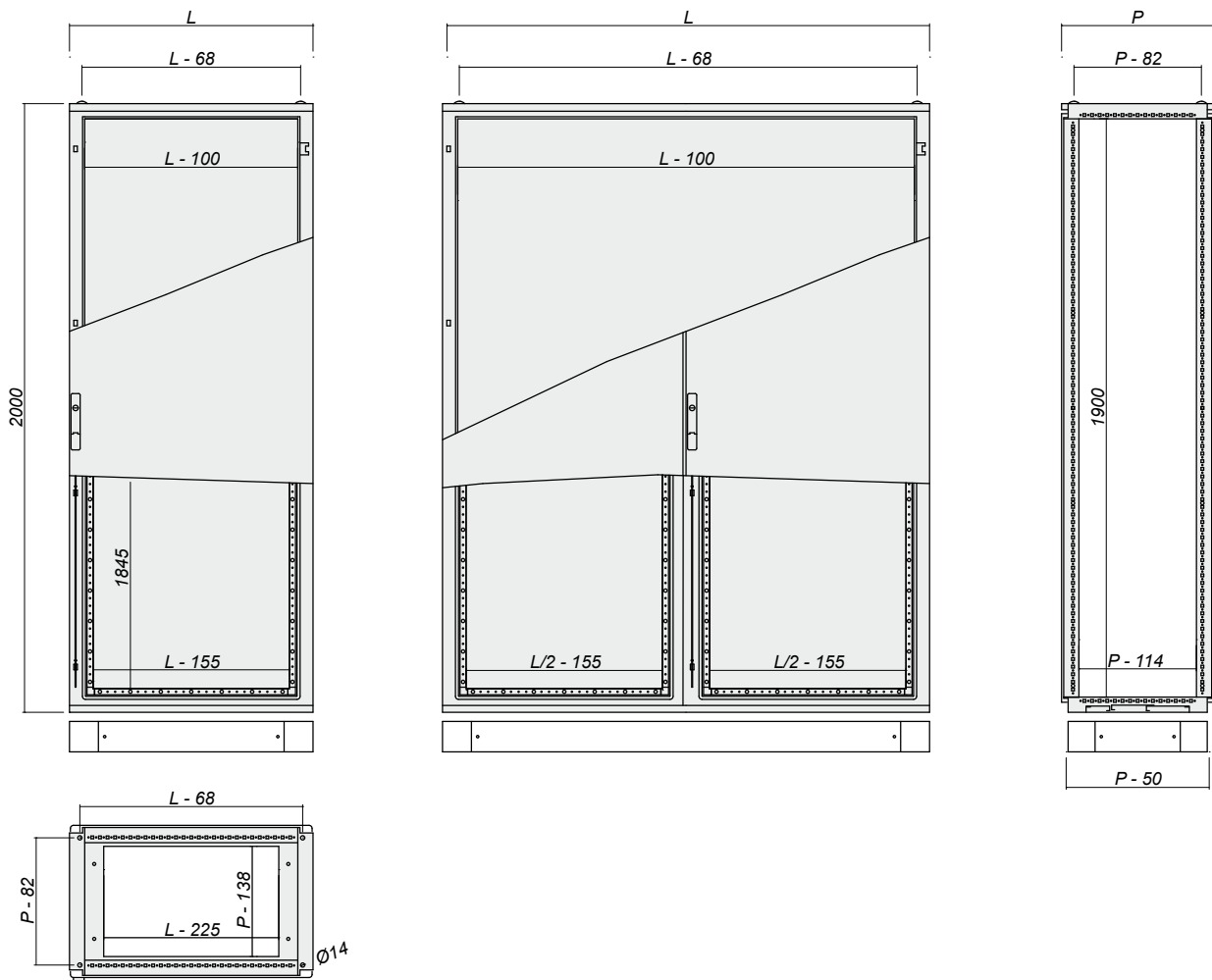
Certification for degree of protection CEI EN 60529



Underwriters Laboratories Canada and USA - UL 508



Certification for shockproofing OPCM 3274 20/03/2003



Code	height H	enclosure dimensions	
		width L	depth P
R5CAE20630 ¹	2000	600	300
R5CAE20640 ¹	2000	600	400
R5CAE20650 ¹	2000	600	500
R5CAE20660 ¹	2000	600	600
R5CAE20830 ¹	2000	800	300
R5CAE20840 ¹	2000	800	400
R5CAE20850 ¹	2000	800	500
R5CAE20860 ¹	2000	800	600
R5CAE201040 ¹	2000	1000	400
R5CAE201050 ¹	2000	1000	500
R5CAE201060 ¹	2000	1000	600
R5CAE201240 ²	2000	1200	400
R5CAE201250 ²	2000	1200	500
R5CAE201260 ²	2000	1200	600

- IP56 EN 60529 - UL NEMA type 4
- IP55 EN 60529 - UL NEMA type 12

For version "frame only" (roof, base and vertical frame) add S to the code (es. R5CAE20630S)
 For blind door version add P to the code (es. R5CAE20630P)
 For glazed door version add X to the code (es. R5CAE20630X)

Horizontal CAE



FRAME

sideways and upper closure manufactured in 1,5 mm steel sheet, painted with RAL 7035 textured finish. Bottom with adjustable wire inlet.

BACK

manufactured from 1,5 mm steel sheet, painted with RAL 7035 textured finish with accident preventing rounded edges and 6 or 8 fixing points to the frame.

DEGREE OF PROTECTION

IP55 EN 60529 UL NEMA type 12.

Code	enclosure dimensions			blank door	mounting plate	mounting plate dimensions	
	height H	width L	depth P			height	width
R5CAE81240	800	1200	400	R5CPE8120	RZCPCE8120	683	1086
R5CAE81440	800	1400	400	R5CPE8140	RZCPCE8140	683	1286
R5CAE81640	800	1600	400	R5CPE8160	RZCPCE8160	683	1486
R5CAE81840	800	1800	400	R5CPE8180	RZCPCE8180	683	1686
R5CAE82040	800	2000	400	R5CPE8200	RZCPCE8200	683	1886
R5CAE101240	1000	1200	400	R5CPE10120	RZCPCE10120	883	1086
R5CAE101440	1000	1400	400	R5CPE10140	RZCPCE10140	883	1286
R5CAE101640	1000	1600	400	R5CPE10160	RZCPCE10160	883	1486
R5CAE101840	1000	1800	400	R5CPE10180	RZCPCE10180	883	1686
R5CAE102040	1000	2000	400	R5CPE10200	RZCPCE10200	883	1886



UNI EN ISO 9001:2000



TÜV SÜD Group



In accordance with European Standards CEI EN 50298



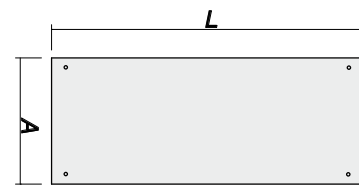
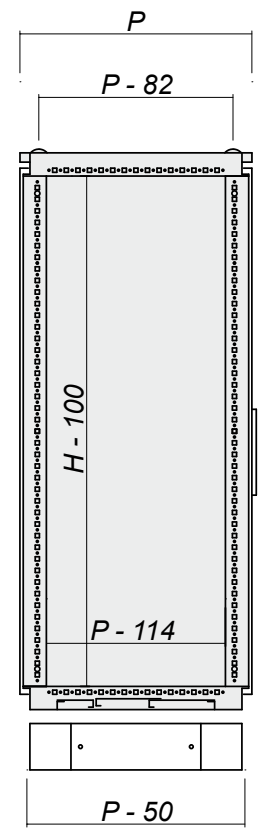
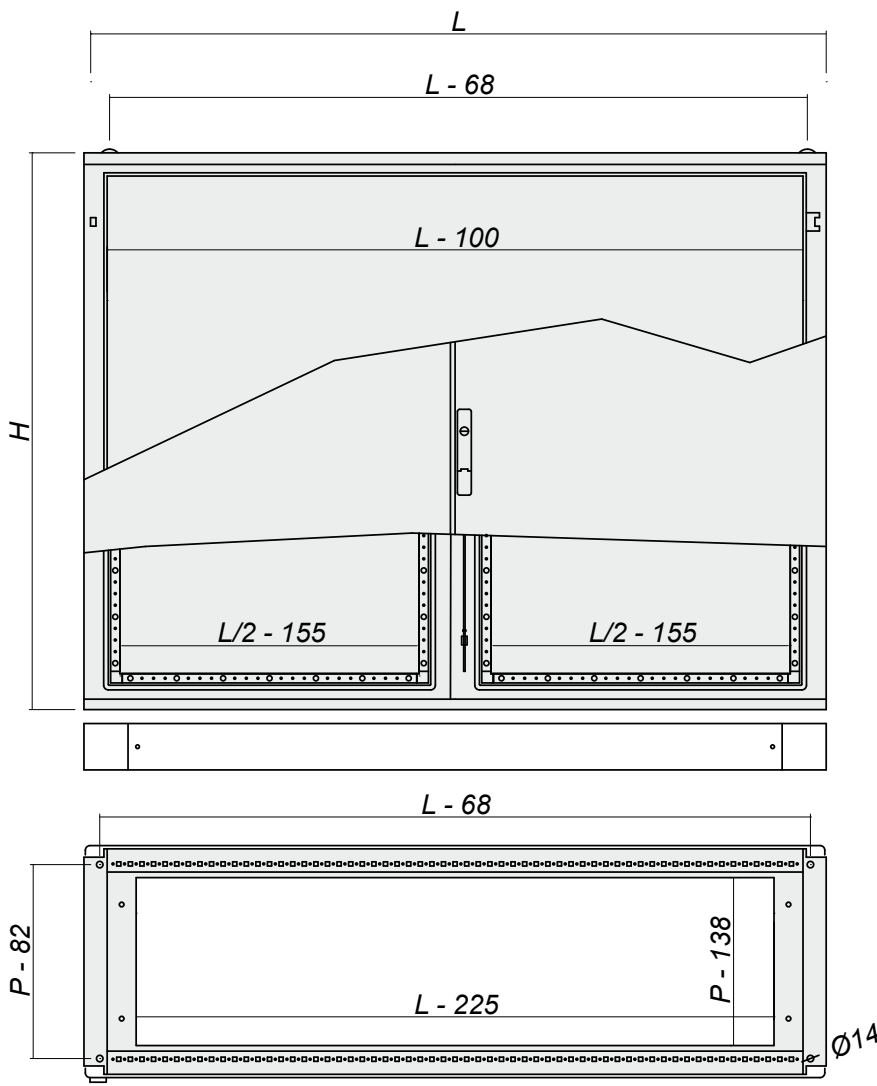
Certification for degree of protection CEI EN 60529



Underwriters Laboratories Canada and USA - UL 508



Certification for shockproofing OPCM 3274 20/03/2003



Mounting plate dimensions



.....

.....

.....

.....

.....

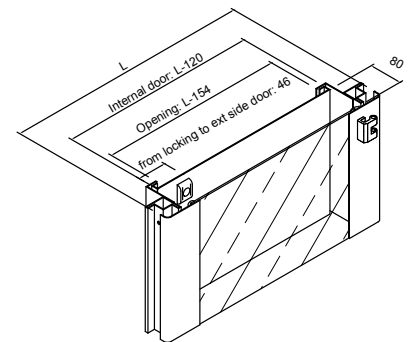
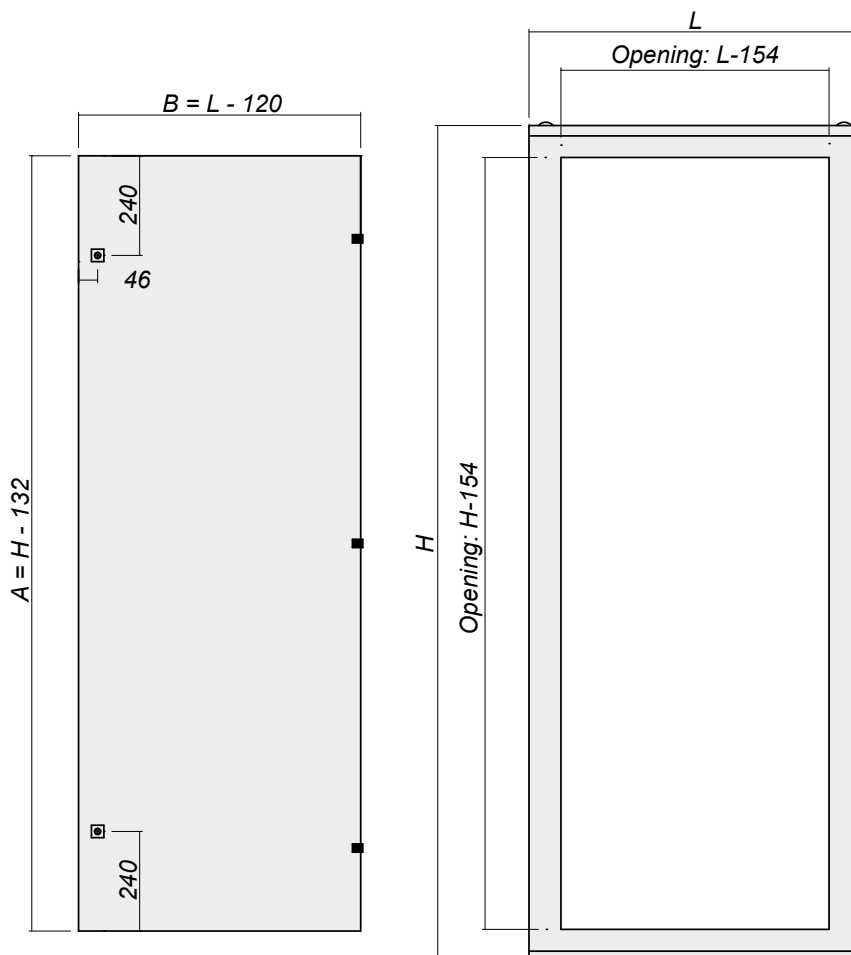
.....

CAE accessories




INTERNAL DOOR

- Manufactured in 2 mm steel sheet painted with RAL 7035 textured finish.
- Frame assembly is supplied
- Degree of protection IP 20 EN 60529.
- Package including all mounting accessories.



Code	Enclosure dimensions		Internal door dimensions		Opening size	
	height H	width L	A	B		
R5PIE1060	1000	600	868	480	846	446
R5PIE1080	1000	800	868	680	846	646
R5PIE10100	1000	1000	868	880	846	846
R5PIE1260	1200	600	1068	480	1046	446
R5PIE1280	1200	800	1068	680	1046	646
R5PIE12100	1200	1000	1068	880	1046	846
R5PIE1460	1400	600	1268	480	1246	446
R5PIE1480	1400	800	1268	680	1246	646
R5PIE14100	1400	1000	1268	880	1246	868
R5PIE1660	1600	600	1468	480	1446	446
R5PIE1680	1600	800	1468	680	1446	646
R5PIE16100	1600	1000	1468	880	1446	846
R5PIE1860	1800	600	1668	480	1646	446
R5PIE1880	1800	800	1668	680	1646	646
R5PIE18100	1800	1000	1668	880	1646	846
R5PIE2060	2000	600	1868	480	1846	446
R5PIE2080	2000	800	1868	680	1846	646
R5PIE20100	2000	1000	1868	880	1846	846



.....

.....

.....

.....

.....

.....

.....

.....

.....

.....

CAE accessories



FOAM INLET PIPE

- Allow the wire passage at the same time guaranteeing an appropriate degree of protection.
- Seal dimension: 25×25 mm.

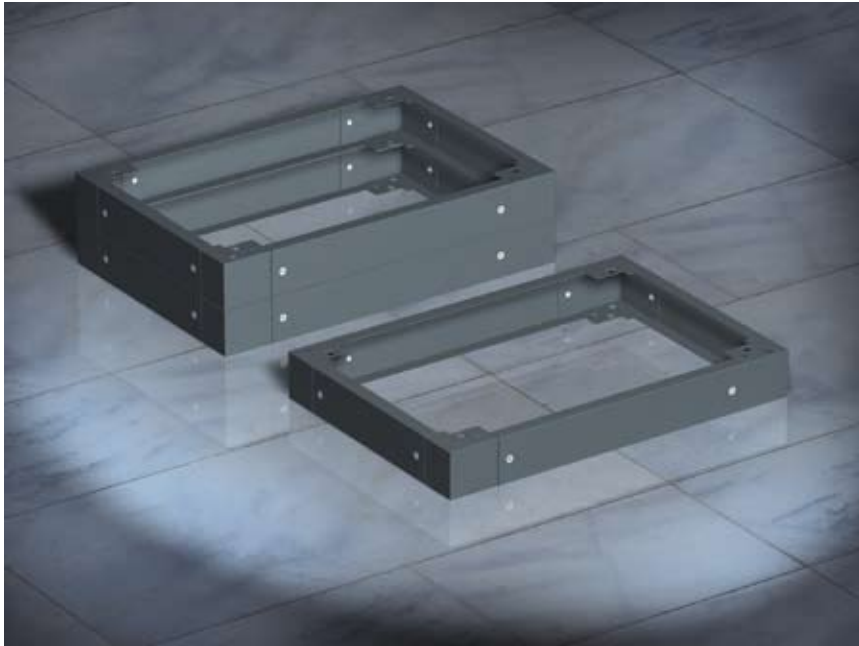
Code	Enclosure width
RZFPC600	600
RZFPC800	800
RZFPC1000	1000
RZFPC1200	1200



LIFTING EYEBOLTS item RZA33

- 4 pcs. package including all mounting screws.

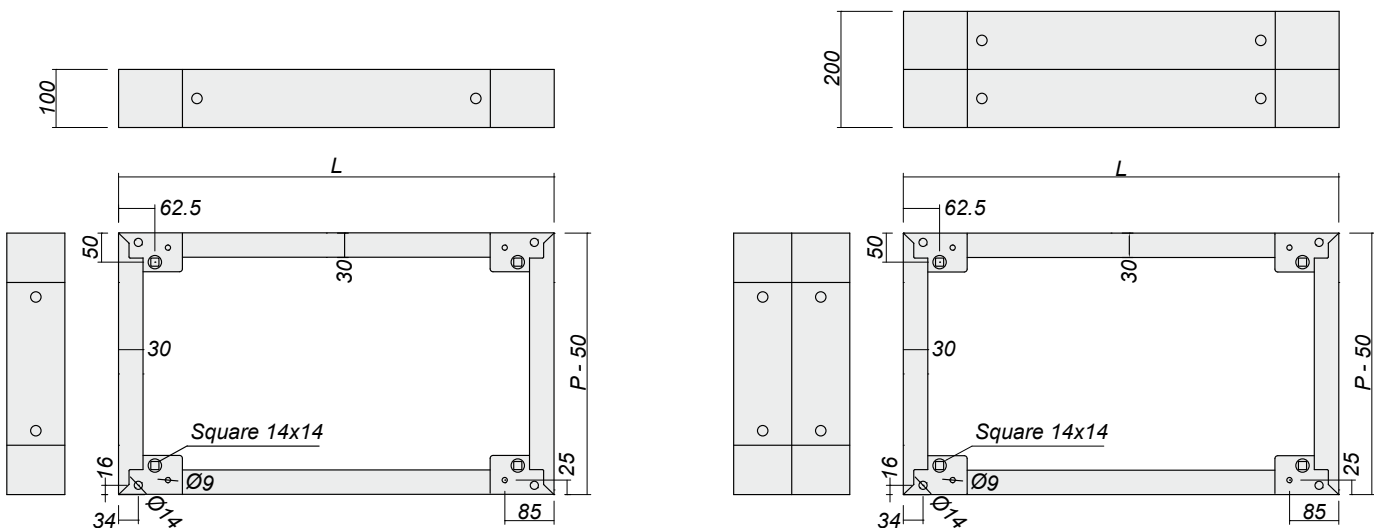
CAE accessories



BASES FOR CAE

- Manufactured in 2 mm steel sheet painted with RAL 7011 textured finish.
- Front, back and sides are removable for an easy wiring passage.
- Height 100 and 200 mm.
- Package including all mounting screws and other accessories.

Enclos. size depth width	Height 100 mm				Height 200 mm			
	300	400	500	600	300	400	500	600
600	R1ZE631	R1ZE641	R1ZE651	R1ZE661	R1ZE632	R1ZE642	R1ZE652	R1ZE662
800	R1ZE831	R1ZE841	R1ZE851	R1ZE861	R1ZE832	R1ZE842	R1ZE852	R1ZE862
1000		R1ZE1041	R1ZE1051	R1ZE1061		R1ZE1042	R1ZE1052	R1ZE1062
1200		R1ZE1241	R1ZE1251	R1ZE1261		R1ZE1242	R1ZE1252	R1ZE1262

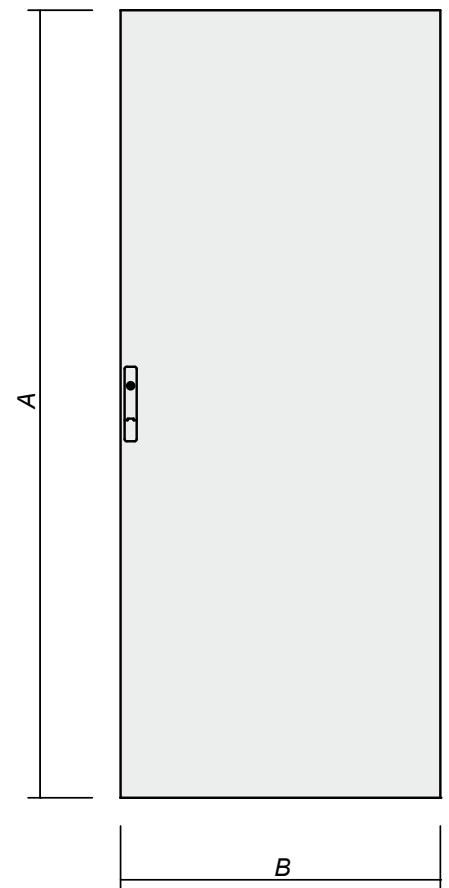


CAE accessories



BLIND DOOR

- Manufactured in 2 mm steel sheet, painted with RAL 7035 textured finish with accident preventing rounded edges.
- Additional galvanized inner tube frame.
- 4 hinges.
- 4 locking points.
- Complete locking system with \varnothing 3 mm double-comb flyer insert.



Code	Enclosure dimensions		Blind door dimensions	
	height H	width L	A	B
R5CPE1060	1000	600	955	594
R5CPE1080	1000	800	955	794
R5CPE10100	1000	1000	955	994
R5CPE1260	1200	600	1155	594
R5CPE1280	1200	800	1155	794
R5CPE12100	1200	1000	1155	994
R5CPE1460	1400	600	1355	594
R5CPE1480	1400	800	1355	794
R5CPE14100	1400	1000	1355	994
R5CPE1660	1600	600	1555	594
R5CPE1680	1600	800	1555	794
R5CPE16100	1600	1000	1555	994
R5CPE1860	1800	600	1755	594
R5CPE1880	1800	800	1755	794
R5CPE18100	1800	1000	1755	994
R5CPE18120 ¹	1800	1200	1755	1194
R5CPE2060	2000	600	1955	594
R5CPE2080	2000	800	1955	794
R5CPE20100	2000	1000	1955	994
R5CPE20120 ¹	2000	1200	1955	1194

1. Double door



.....

.....

.....

.....

.....

.....

.....

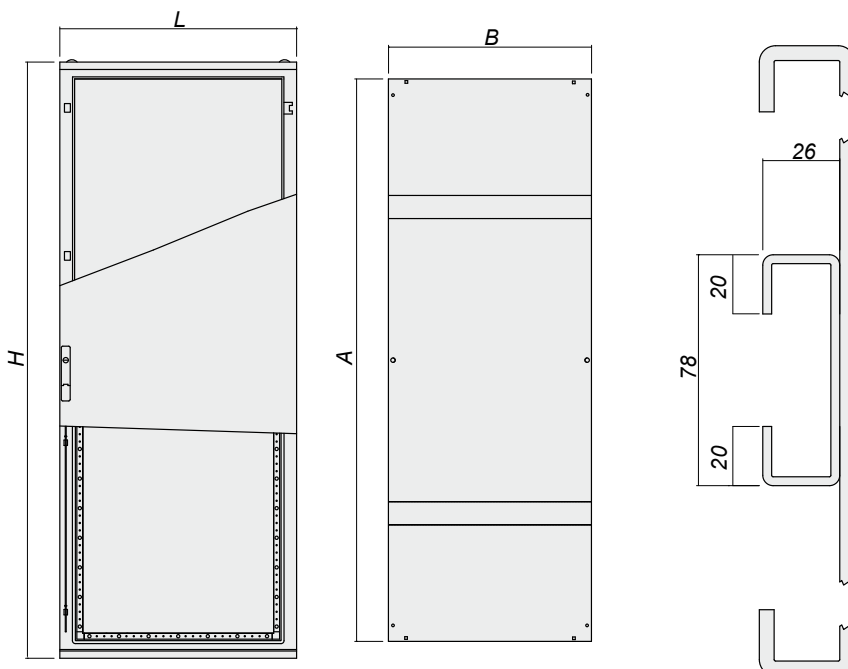
CAE accessories



MOUNTING PLATE

- Manufactured in 2,5 or 3 mm galvanized steel sheet according to the size.
- Fixing positions every 25 mm.
- Possibility of maximum setback of the mounting plate through optional kit item RZAE06.

Be cqa: we advice to use proper accident preventing gloves while handling the mounting plate (Artt. 41-42-43 DLG 626/94 - Italian laws).

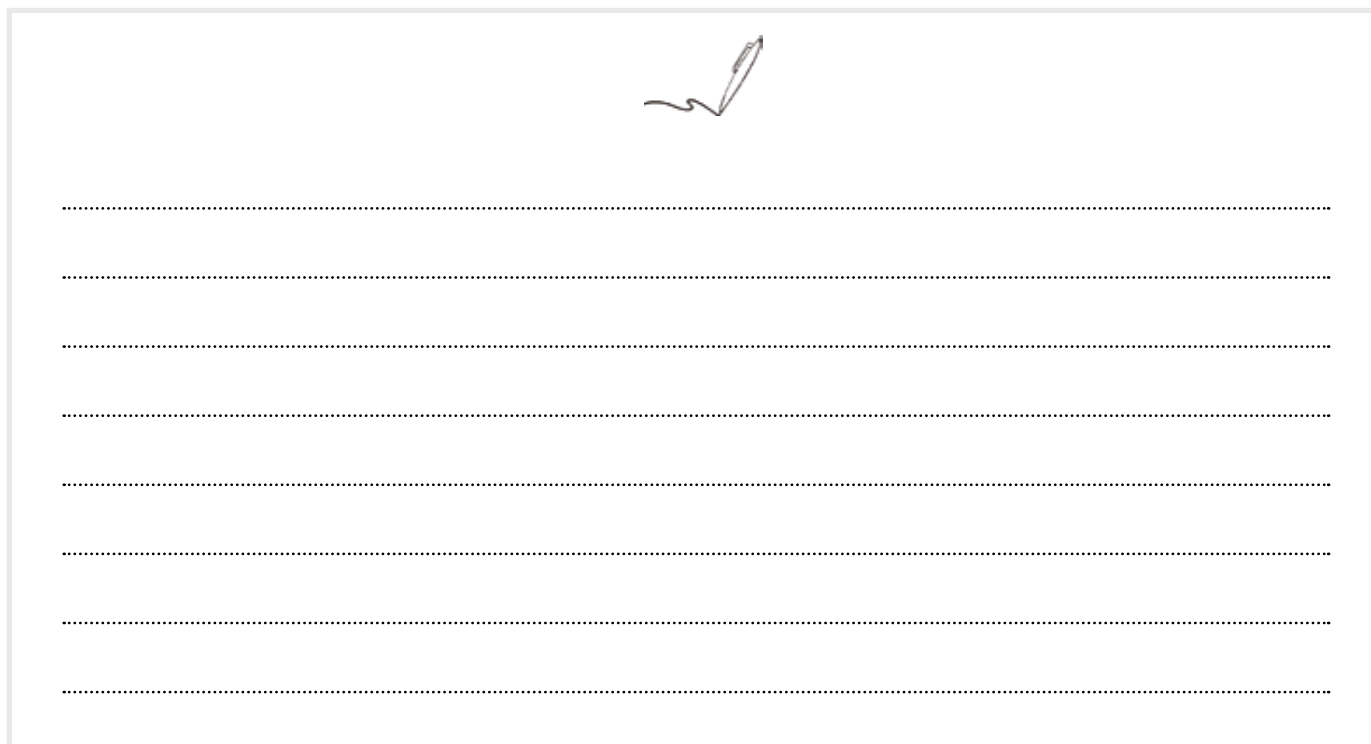


CROSS REINFORCEMENT FOR PCE

- Useful to fix particularly heavy parts.
- Package including two cross reinforcement manufactured in galvanized steel sheet and all the needed screws.

Code	enclosure width
RZRPC60	600
RZRPC80	800
RZRPC100	1000
RZRPC120	1200
RZRPC140	1400
RZRPC160	1600

Code	enclosure dimensions		mounting plate dimensions	
	height H	width L	A	B
RZPCE1060	1000	600	883	486
RZPCE1080	1000	800	883	686
RZPCE10100	1000	1000	883	886
RZPCE1260	1200	600	1083	486
RZPCE1280	1200	800	1083	686
RZPCE12100	1200	1000	1083	886
RZPCE1460	1400	600	1283	486
RZPCE1480	1400	800	1283	686
RZPCE14100	1400	1000	1283	886
RZPCE1660	1600	600	1483	486
RZPCE1680	1600	800	1483	686
RZPCE16100	1600	1000	1483	886
RZPCE1860	1800	600	1683	486
RZPCE1880	1800	800	1683	686
RZPCE18100	1800	1000	1683	886
RZPCE18120	1800	1200	1683	1086
RZPCE2060	2000	600	1883	486
RZPCE2080	2000	800	1883	686
RZPCE20100	2000	1000	1883	886
RZPCE20120	2000	1200	1883	1086

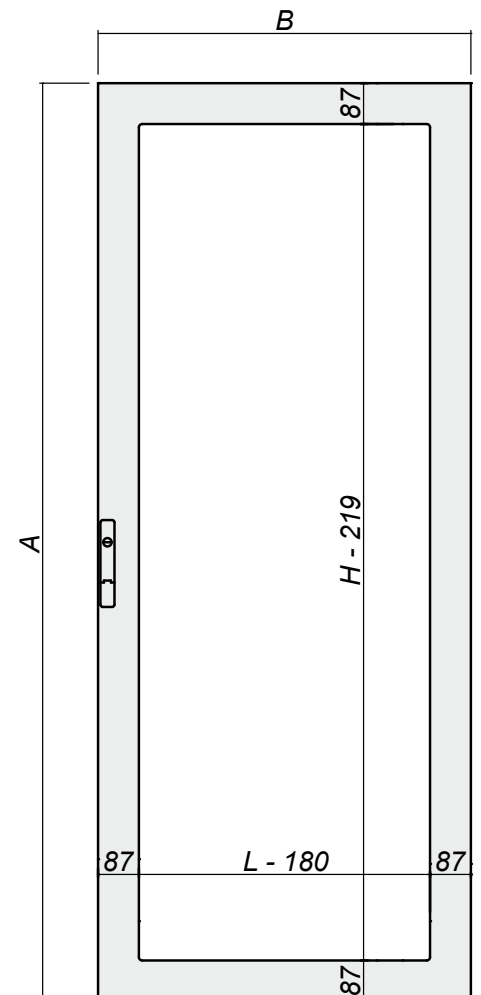


CAE accessories



GLAZED DOOR

- Manufactured in 2 mm steel sheet, painted with RAL 7035 textured finish with accident preventing rounded edges.
- 4 hinges.
- 4 locking points.
- Complete locking system with \varnothing 3 mm double-comb flyer.
- Security glass 4 mm.



Code	Enclosure dimensions		Glazed door dimensions	
	height H	width L	A	B
R5CPTTE1060	1000	600	955	594
R5CPTTE1080	1000	800	955	794
R5CPTTE10100	1000	1000	955	994
R5CPTTE1260	1200	600	1155	594
R5CPTTE1280	1200	800	1155	794
R5CPTTE12100	1200	1000	1155	994
R5CPTTE1460	1400	600	1355	594
R5CPTTE1480	1400	800	1355	794
R5CPTTE14100	1400	1000	1355	994
R5CPTTE1660	1600	600	1555	594
R5CPTTE1680	1600	800	1555	794
R5CPTTE16100	1600	1000	1555	994
R5CPTTE1860	1800	600	1755	594
R5CPTTE1880	1800	800	1755	794
R5CPTTE18100	1800	1000	1755	994
R5CPTTE2060	2000	600	1955	594
R5CPTTE2080	2000	800	1955	794
R5CPTTE20100	2000	1000	1955	994



.....

.....

.....

.....

.....

.....

.....

.....

.....

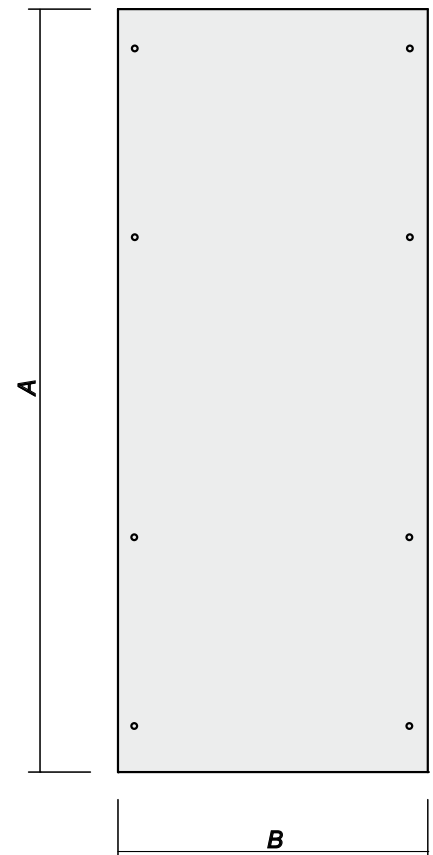
.....

CAE accessories



BACK PANEL

- Manufactured in 1,5 mm steel sheet, painted with RAL 7035 textured finish with accident preventing rounded edges.
- 8 frame fixing points for height from 1200 to 2000 mm and 4 fixing points for height 1000.



Code	enclosure dimensions		rear panel dimensions	
	height H	width L	A	B
R5CRE1060	1000	600	955	594
R5CRE1080	1000	800	955	794
R5CRE10100	1000	1000	955	994
R5CRE1260	1200	600	1155	594
R5CRE1280	1200	800	1155	794
R5CRE12100	1200	1000	1155	994
R5CRE1460	1400	600	1355	594
R5CRE1480	1400	800	1355	794
R5CRE14100	1400	1000	1355	994
R5CRE1660	1600	600	1555	594
R5CRE1680	1600	800	1555	794
R5CRE16100	1600	1000	1555	994
R5CRE1860	1800	600	1755	594
R5CRE1880	1800	800	1755	794
R5CRE18100	1800	1000	1755	994
R5CRE18120	1800	1200	1755	1194
R5CRE2060	2000	600	1955	594
R5CRE2080	2000	800	1955	794
R5CRE20100	2000	1000	1955	994
R5CRE20120	2000	1200	1955	1194



.....

.....

.....

.....

.....

.....

.....

.....

.....

CAE accessories



WORKING DESK

- Manufactured in 1,5 mm steel sheet, painted with RAL 7035 textured finish.
- Used to support for every type of programming device or to hold tools during maintenance.
- 4 pcs. package including all mounting screws and accessories.

Code	door width
R5RL600	600
R5RL800	800
R5RL1000	1000



WALL MOUNTING BRACKETS FOR CAE

item RZAE04

- Manufactured in 3 mm galvanized steel sheet.
- 4 pcs. package including all mounting screws and accessories.

CAE accessories



KIT FOR MOUNTING PLATE SETBACK

item RZAE06

- Manufactured in 3 mm galvanized steel sheet.
- Allow the mounting plate setback, fixing it at the same level of back frame profile.
- 2 pcs. package including all mounting screws and accessories.



MOUNTING PLATE SUPPORTING KIT

item RZAE05

- Manufactured in 3 mm galvanized steel sheet.
- Assembly possibility to the upper or the centre part of the mounting plate through the holes.
- In case of fixing to the central part of the mounting plate, it is necessary to buy also the cross rail (item RZTLE).
- 2 pcs. package including all mounting screws and accessories.

CAE accessories



ASSEMBLE KIT FOR MOUNTING PLATE

item RAAE07

- Accessory for the assemble of mounting place (RZPCE).
- Accessory included in the supply of mounting plate.
- Can be ordered separately.

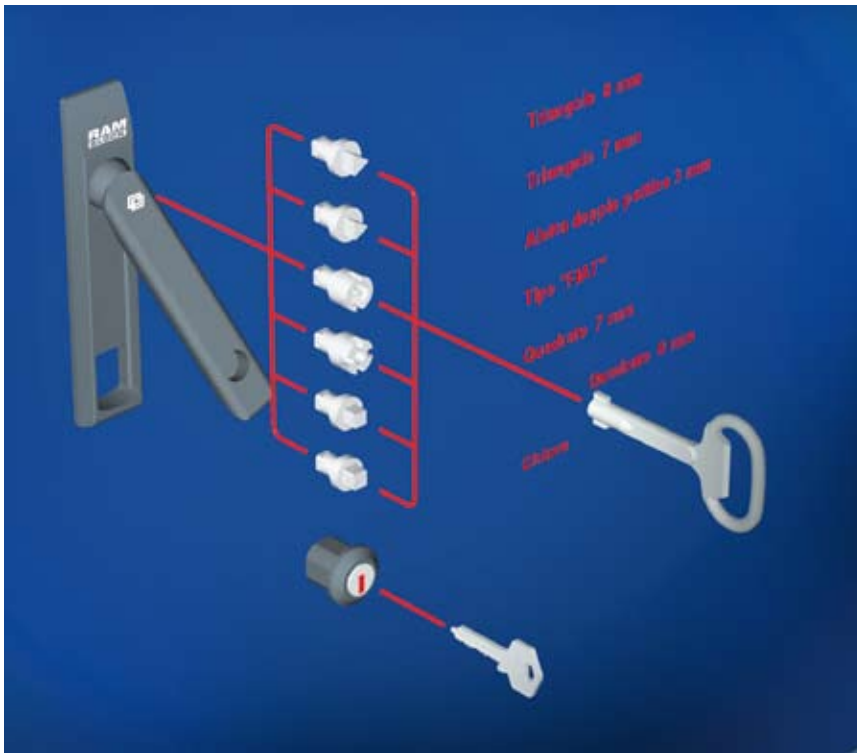


MICRO-SWITCH

item RAMC01

- In compliance with IEC 377 - VDE 0660.
- Package including galvanized montage stirrup and all screws and accessories needed.

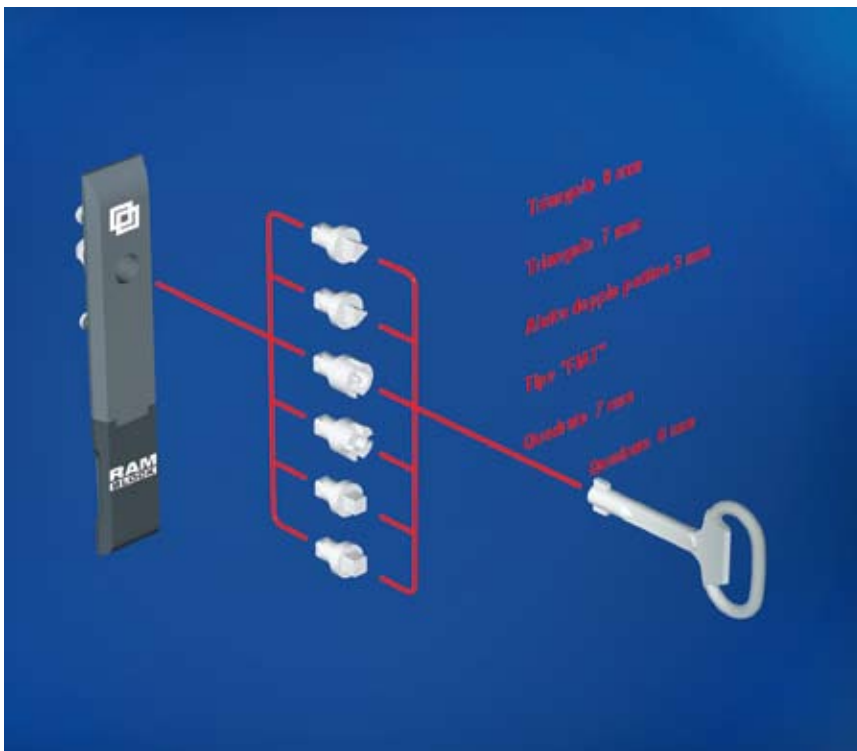
CAE accessories



TURN HANDLE

Code	description
RPCE207	Complete locking system with Ø 3 mm double-comb insert
RPCE201	Complete locking system with key insert

key code	insert code	description
RZCE230	RZCE219	Ø 3 mm double-comb insert
RZCE236	RZCE214	8 mm triangle
RZCE235	RZCE213	7 mm triangle
RZCE237	RZCE262	"FIAT"
RZCE233	RZCE211	7 mm square
RZCE234	RZCE212	8 mm square



CHIUSURA CON MOSTRINA GRANDE

Code	description
RPCE202	Complete locking system with Ø 3 mm double-comb insert
RPCE203	Complete locking system with FIAT insert

Codice chiave metallo	Codice inserto	description
RZCE230	RZCE219	Ø 3 mm double-comb insert
RZCE236	RZCE214	8 mm triangle
RZCE235	RZCE213	7 mm triangle
RZCE233	RZCE211	7 mm square
RZCE234	RZCE212	8 mm square

CQEC enclosure for PC



Our CQEC enclosures for PC are obtained directly from our CONQUEST enclosure series. Developed to satisfy the customer's requirement needing to use a PC in industrial environment for data input or terminal station with CPU and printer. Also used as control board for machine tool or inserted in control line for industrial plants to manage productive processes.

Our CQEC protects Personal Computer working in critical environments thanks to its degree of protection IP55 (EN 60529). The total agreement with CQE accessories (such as doors, back panel, mounting plates, etc.) allows the decrease of the storage costs. Moreover, these PC enclosures can be connected with our set of panels.

Our line of PC enclosures provide for three height (1600, 1800 and 2000 mm), two width (600 and 800 mm) and two depth opportunities (600 and 800 mm) for a total of ten different sizes.

The supply includes:

- Prefab frame with patented closed profile manufactured in 1,5 mm steel sheet, painted with RAL 7035 textured finish

- Removable roof and bottom manufactured in 1,5 mm steel sheet, painted with RAL 7011

- Glazed upper door with 4 mm security glass.

- Desk for CRT / LCD monitor up to 19".

- Extension desk for keyboard and mouse.

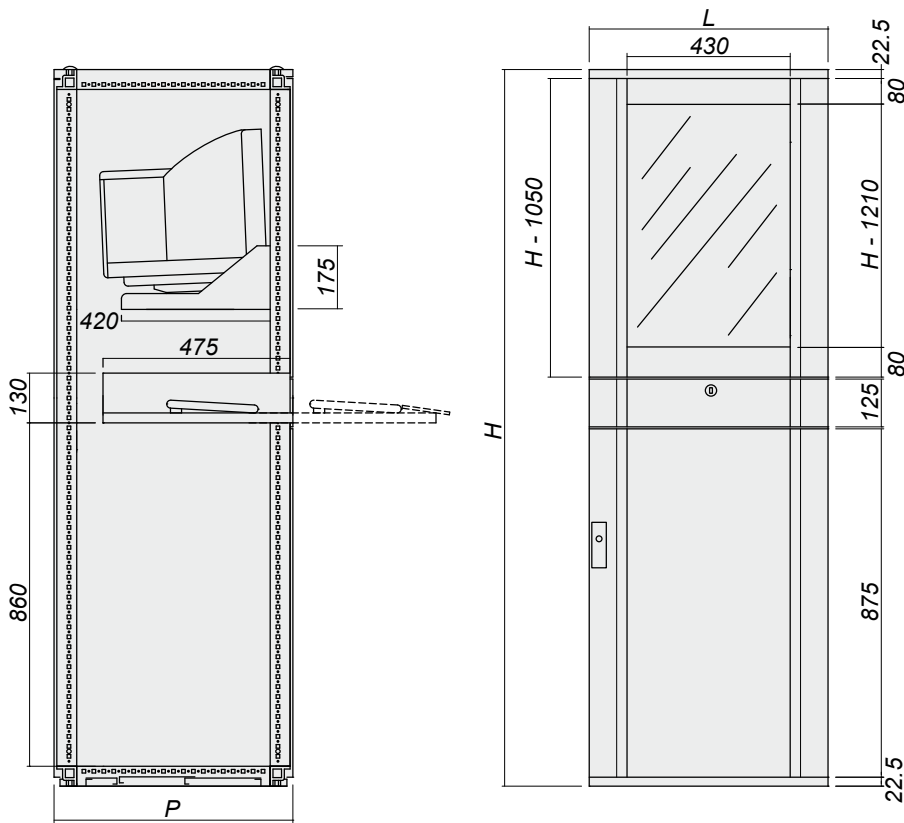
- Lower door.

- Back door.

The bottom of the enclosure is predisposed for PC case seating and other peripherals such as modem, printer, switch, etc...

A door is mounted in the back side of the frame for an easier access to the hardware of Personal Computer.

Maximum keyboard size: width 490 mm, height 60 mm, depth 230 mm.



Code	enclosure dimensions		
	height H	width L	depth P
R5CQEC1666	1600	600	600
R5CQEC1668	1600	600	800
R5CQEC1866	1800	600	600
R5CQEC1868	1800	600	800
R5CQEC1886	1800	800	600
R5CQEC1888	1800	800	800
R5CQEC2066	2000	600	600
R5CQEC2068	2000	600	800
R5CQEC2086	2000	800	600
R5CQEC2088	2000	800	800

Code	couple of lateral panels	base H 100	base H 200	extension desk	fix desk
R5CQEC1666	R5LE1662	R1ZE661	R1ZE662	R5RE660	R5RF660
R5CQEC1668	R5LE1682	R1ZE861	R1ZE862	R5RE680	R5RF680
R5CQEC1866	R5LE1862	R1ZE661	R1ZE662	R5RE660	R5RF660
R5CQEC1868	R5LE1882	R1ZE861	R1ZE862	R5RE680	R5RF680
R5CQEC1886	R5LE1862	R1ZE861	R1ZE862	R5RE860	R5RF860
R5CQEC1888	R5LE1882	R1ZE881	R1ZE882	R5RE880	R5RF880
R5CQEC2066	R5LE2062	R1ZE661	R1ZE662	R5RE660	R5RF660
R5CQEC2068	R5LE2082	R1ZE861	R1ZE862	R5RE680	R5RF680
R5CQEC2086	R5LE2062	R1ZE861	R1ZE862	R5RE860	R5RF860
R5CQEC2088	R5LE2082	R1ZE881	R1ZE882	R5RE880	R5RF880

Mobile base (R1A48), castor (RZA41) and lifting eyebolts (RZA33) are available for all models. For further info about fixing and extension desk, see page 90

Sectional cabinets CQE



Our Sectional enclosure **CQE** is manufactured using the most modern production system. All the building steps are performed by automatic CNC machines guaranteeing the greatest precision and affordability of the finished product.

The Quality is certified ISO 9001.

The frame is made by a patented closed profile manufactured in 1,5 mm galvanized metal sheet. Its edges, folded eight times, prevent the leakage of water accidentally dropped on the structure and help to increase the degree of protection. Its special frame compliance makes it particularly strong. Every vertical frame has series of circular and square holes creating a 3D grid spaced by 25 mm and multiples. This sectionality allows a quick and easy montage of accessories. At the bottom of the enclosure there is a practical and large hole, suitably designed for wire inlet. The closing is assured by three removable and interchangeable gland plates, to allow a useful wiring passage.

The door is manufactured in 2 mm steel sheet. An easily removable perforated frame (\varnothing 4,2 mm and 25 mm spacing) is assembled in the door interior to allow possible further manufacturing performances. This frame strengthens the door and allows an easy fixing of every accessory type. The door can easily replace the back closing panel. Four hinges manufactured in die-cast zinc, invisible from the outside, enable the door opening up to about 130° in accordance with the laws in force. The way of open of the door is reversible without any operation on the frame. Four locking points make the pressure on the gaskets more homogeneous and improve the sealing. A special polyurethane gasket is directly applied on above the door in continuous pour.

The mounting plate of all models is manufactured in 2,5 mm galvanized steel sheet for a better potential compensation. The stiffness is guaranteed by a 25 mm high multiple "U" fold. The mounting plate is provided



with special plastic rails helping the insertion into the enclosure; its placement is adjustable in depth. The installation in the frame is carried out by strong stirrup without protruding screw. The frame compliance makes the maximum setback of the mounting plate and also the installation of a pair of opposite mounting plates possible.

SECTIONAL ENCLOSURE CQE SERIES

Our sectional enclosures CQE are conceived to meet the customers' requirements demanding a high quality enclosures at a competitive low price.

Our sectional enclosures CQE are guaranteed by the best quality/price ratio in the market.

They have great versatility and can be used in all situations.

Ideal as control enclosure for machines tool;

Suitable for electronic applications;

Useful for low-voltage distribution.

The total compatibility with CAE accessories (such as doors, back panel, mounting plates, etc.) allows a rational and fast conception, decreasing the storage costs.

Our range of CQE sectional enclosure is manufactured in six heights: 1400, 1600, 1800, 2000 and 2200 mm, and everyone of them are available several sizes, for a total of 86 different models. Everyone is available with blind or glazed door. Hence the whole range of CQE sectional enclosure counts 172 models available. Every model is available either in the **assembled** or **KIT** version.

The painting is performed by epoxy polyester powder coating. RAL 7035 textured finish.

CQE height 1400



FRAME

assembled frame with patented closed profile manufactured in 1,5 mm galvanized sheet metal painted with RAL 7035 textured finish.

ROOF and BASE

manufactured in 1,5 mm sheet metal painted with RAL 7011 textured finish. Both of them are removable.

BOTTOM

manufactured from 1,5 mm galvanized sheet metal with adjustable wire entry.

BACK

manufactured in 1,5 mm steel sheet, painted with RAL 7035 textured finish with accident preventing rounded edges and 8 frame fixing points.

DOOR

Manufactured in 2 mm steel sheet, painted with RAL 7035 textured finish with accident preventing rounded edges. Additional strengthening frame in galvanized tubular. 4 hinges and 4 lockingpoints. Complete locking system with Ø 3 mm double-comb insert.



In accordance with European Standards CEI EN 50298



Underwriters Laboratories Canada and USA - UL 508



Certification for Degree of Protection CEI EN 60529



Certification for Crash Energy 20J CEI EN 50102



Certification for shockproofing OPCM 3274 20-03-2003



Certificazione cortocircuito 80 kA CEI EN 60439-1



Certification for short circuit 25kA CEI EN 60439-1



Electromagnetic compatibility 336/CEE - DLgs n. 476 del 04/12/1992

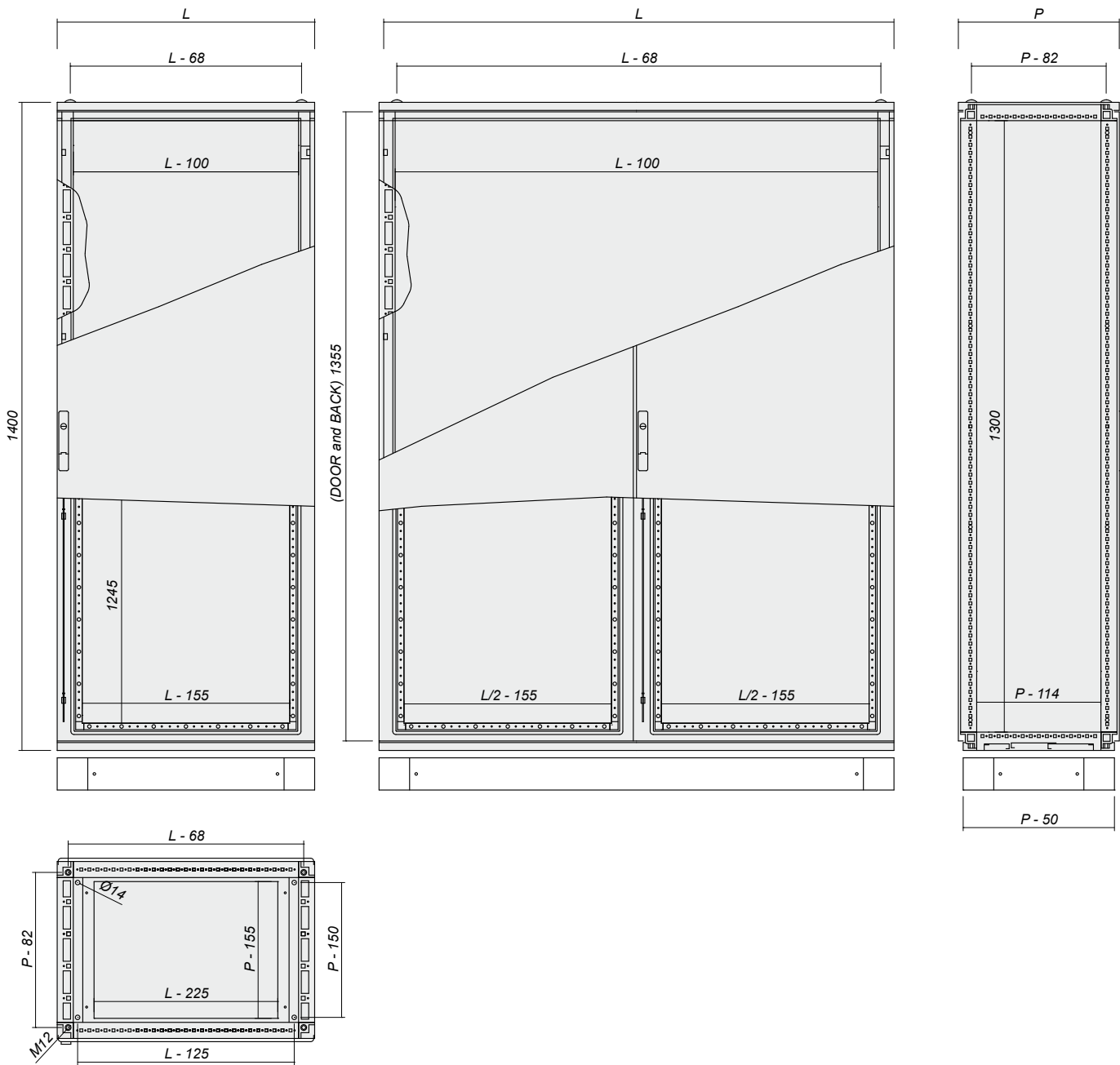
Code	enclosure dimensions		
	height H	width L	depth P
● R5CQE1464 ¹	1400	600	400
● R5CQE1465 ¹	1400	600	500
● R5CQE1484 ¹	1400	800	400
● R5CQE1485 ¹	1400	800	500
R5CQE14124 ²	1400	1200	400
R5CQE14125 ²	1400	1200	500
R5CQE14164 ²	1400	1600	400
R5CQE14165 ²	1400	1600	500

Degree of protection:

1. IP 56 EN 60529 / UL NEMA type 4 (IP 65 ordering our blank base FUC)
2. IP 55 EN 60529 / UL NEMA type 12

For version "frame only" (roof, base and vertical frame) add "S" to the code (i.e. R5CQE1484S)

- For glazed door version, add "X" to the code (i.e. R5CQE1484X)



SECTIONAL CABINETS CQE

- Couple of lateral panel (see page 115)
- Base (see page 135)
- Mounting plate (see page 125)
- Lifting eyebolt (see page 142)

CQE height 1 600



FRAME

assembled frame with patented closed profile manufactured in 1,5 mm galvanized sheet metal painted with RAL 7035 textured finish.

ROOF and BASE

manufactured in 1,5 mm sheet metal painted with RAL 7011 textured finish. Both of them are removable.

BOTTOM

manufactured from 1,5 mm galvanized sheet metal with adjustable wire entry.

BACK

manufactured in 1,5 mm steel sheet, painted with RAL 7035 textured finish with accident preventing rounded edges and 8 frame fixing points.

DOOR

Manufactured in 2 mm steel sheet, painted with RAL 7035 textured finish with accident preventing rounded edges. Additional strengthening frame in galvanized tubular. 4 hinges and 4 locking points. Complete locking system with Ø 3 mm double-comb insert.



UNI EN ISO 9001:2000



In accordance with European Standards CEI EN 50298



Underwriters Laboratories Canada and USA - UL 508



TÜV SÜD Group



Certification for Degree of Protection CEI EN 60529



Certification for Crash Energy 20J CEI EN 50102



Certification for shockproofing OPCM 3274 20-03-2003



Certificazione cortocircuito 80 kA CEI EN 60439-1



Certification for short circuit 25kA CEI EN 60439-1



Electromagnetic compatibility
89/336/CEE - DLgs n. 476 del 04/12/1992

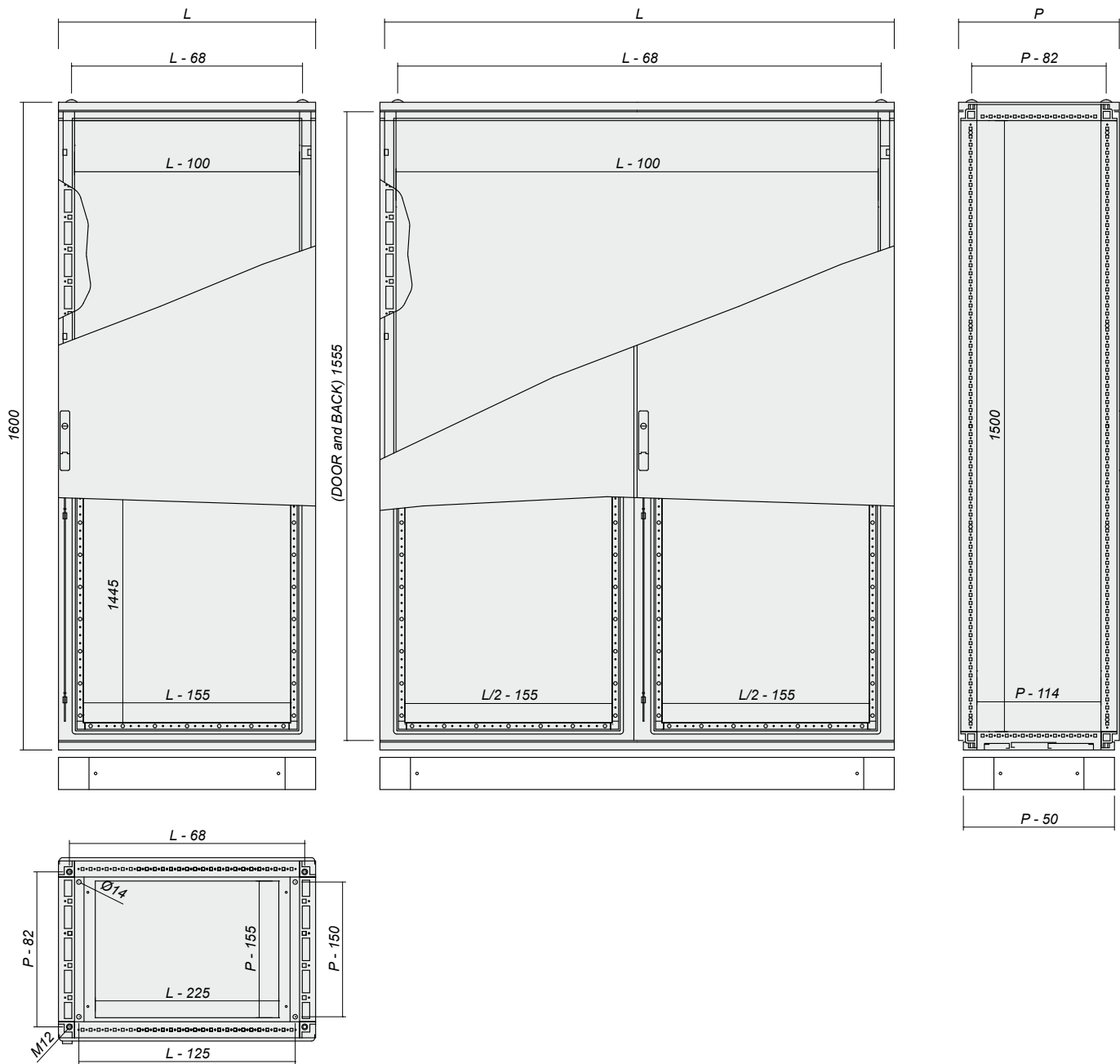
Code	enclosure dimensions		
	height H	width L	depth P
R5CQE1644 ¹	1600	400	400
R5CQE1645 ¹	1600	400	500
R5CQE1646 ¹	1600	400	600
● R5CQE1664 ¹	1600	600	400
● R5CQE1665 ¹	1600	600	500
● R5CQE1666 ¹	1600	600	600
● R5CQE1684 ¹	1600	800	400
● R5CQE1685 ¹	1600	800	500
● R5CQE1686 ¹	1600	800	600
● R5CQE16104 ¹	1600	1000	400
● R5CQE16105 ¹	1600	1000	500
● R5CQE16106 ¹	1600	1000	600
R5CQE16124 ²	1600	1200	400
R5CQE16125 ²	1600	1200	500
R5CQE16126 ²	1600	1200	600

Degree of protection:

1. IP 56 EN 60529 / UL NEMA type 4 (IP 65 ordering our bank base RZFUC)
2. IP 55 EN 60529 / UL NEMA type 12

For version "frame only" (roof, base and vertical frame) add "S" to the code (i.e. R5CQE1684S)

- For glazed door version, add "X" to the code (i.e. R5CQE1684X)



SECTIONAL CABINETS CQE

- Couple of lateral panel (see page 115)
- Base (see page 135)
- Mounting plate (see page 96)
- Lifting eyebolt (see page 142)

CQE height 1800



FRAME

assembled frame with patented closed profile manufactured in 1,5 mm galvanized sheet metal painted with RAL 7035 textured finish.

ROOF and BASE

manufactured in 1,5 mm sheet metal painted with RAL 7011 textured finish. Both of them are removable.

BOTTOM

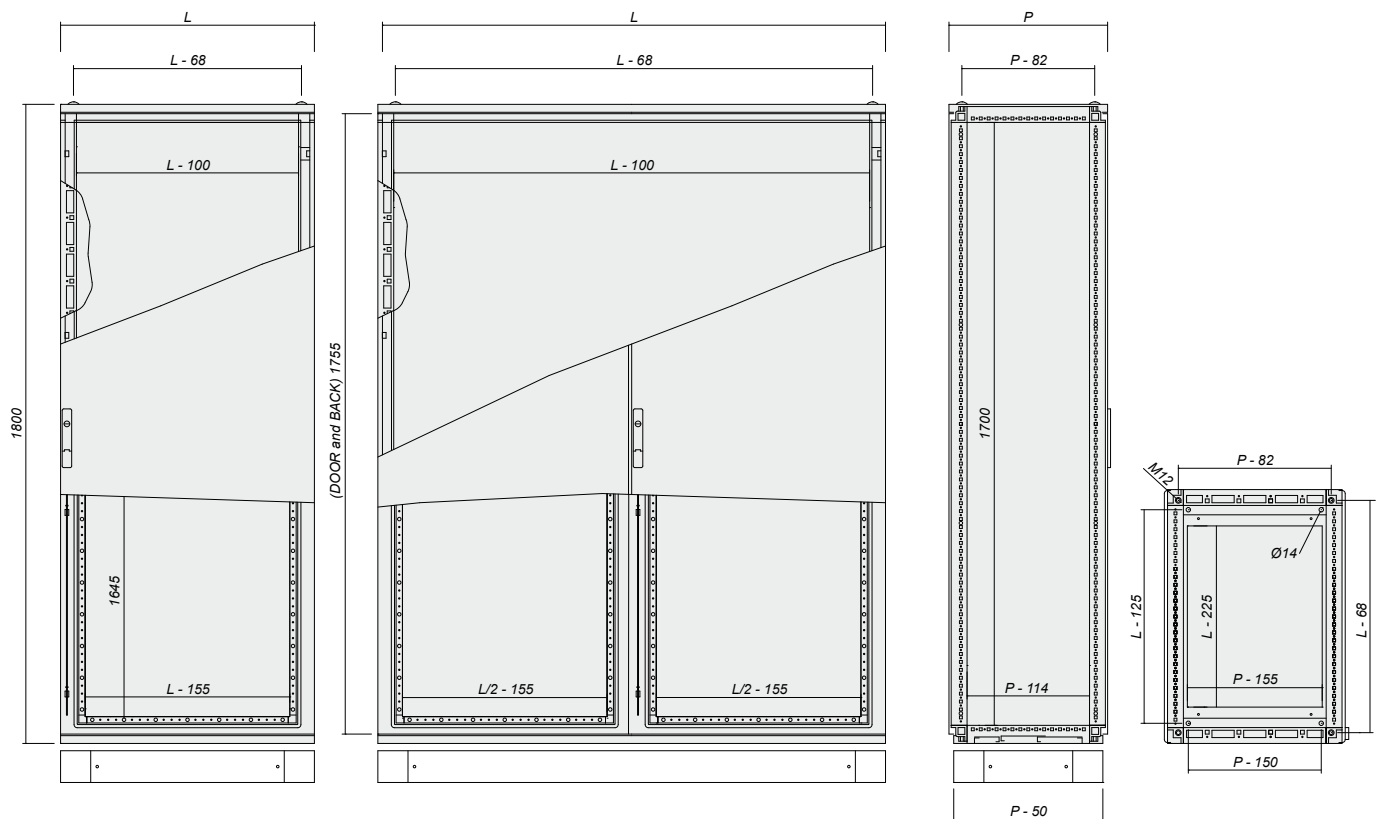
manufactured from 1,5 mm galvanized sheet metal with adjustable wire entry.

BACK

manufactured in 1,5 mm steel sheet, painted with RAL 7035 textured finish with accident preventing rounded edges and 8 frame fixing points.

DOOR

Manufactured in 2 mm steel sheet, painted with RAL 7035 textured finish with accident preventing rounded edges. Additional strengthening frame in galvanized tubular. 4 hinges and 4 locking points. Complete locking system with Ø 3 mm double-comb insert.



Code	enclosure dimensions		
	height H	width L	depth P
R5CQE1844 ¹	1800	400	400
R5CQE1845 ¹	1800	400	500
R5CQE1846 ¹	1800	400	600
R5CQE1848 ¹	1800	400	800
● R5CQE1864 ¹	1800	600	400
● R5CQE1865 ¹	1800	600	500
● R5CQE1866 ¹	1800	600	600
● R5CQE1868 ¹	1800	600	800
● R5CQE1884 ¹	1800	800	400
● R5CQE1885 ¹	1800	800	500
● R5CQE1886 ¹	1800	800	600
● R5CQE1888 ¹	1800	800	800
● R5CQE18104 ¹	1800	1000	400
● R5CQE18105 ¹	1800	1000	500
● R5CQE18106 ¹	1800	1000	600
● R5CQE18108 ¹	1800	1000	800
R5CQE18124 ²	1800	1200	400
R5CQE18125 ²	1800	1200	500
R5CQE18126 ²	1800	1200	600
R5CQE18128 ²	1800	1200	800

Degree of protection:

1. IP 56 EN 60529 / UL NEMA type 4 (IP 65 ordering our bank base FUC)
2. IP 55 EN 60529 / UL NEMA type 12

For version “frame only” (roof, base and vertical frame) add “S” to the code (i.e. R5CQE1886S)

- For glazed door version, add “X” to the code (i.e. R5CQE1886X)

- Couple of lateral panel (see page 115)
- Base (see page135)
- Mounting plate (see page125)
- Lifting eyebolt (see page142)



CQE height 2000



FRAME

assembled frame with patented closed profile manufactured in 1,5 mm galvanized sheet metal painted with RAL 7035 textured finish.

ROOF and BASE

manufactured in 1,5 mm sheet metal painted with RAL 7011 textured finish. Both of them are removable.

BOTTOM

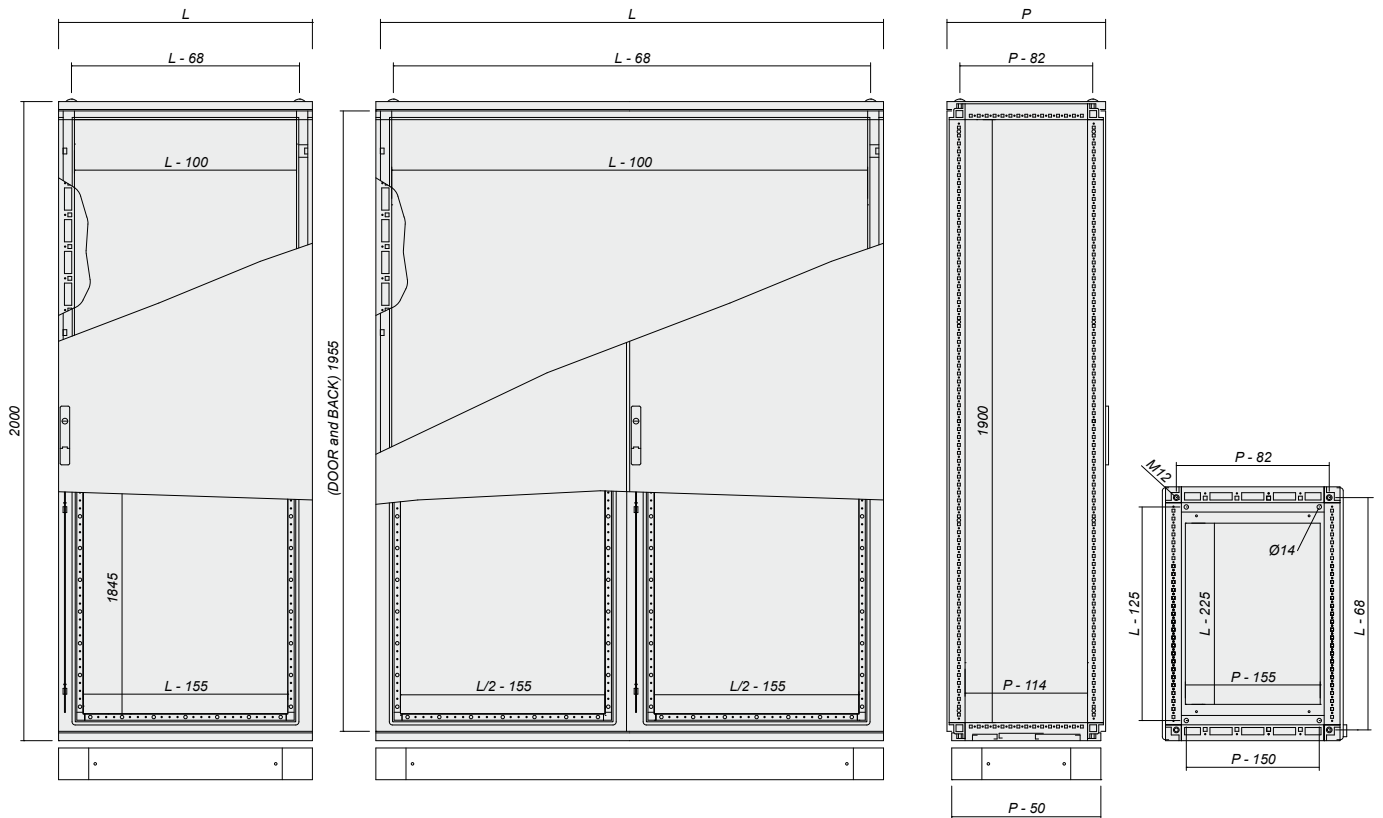
manufactured from 1,5 mm galvanized sheet metal with adjustable wire entry.

BACK

manufactured in 1,5 mm steel sheet, painted with RAL 7035 textured finish with accident preventing rounded edges and 8 frame fixing points.

DOOR

Manufactured in 2 mm steel sheet, painted with RAL 7035 textured finish with accident preventing rounded edges. Additional strengthening frame in galvanized tubular. 4 hinges and 4 locking points. Complete locking system with Ø 3 mm double-comb insert.



Code	enclosure dimensions		
	height H	width L	depth P
R5CQE2044 ¹	2000	400	400
R5CQE2045 ¹	2000	400	500
R5CQE2046 ¹	2000	400	600
R5CQE2048 ¹	2000	400	800
● R5CQE2064 ¹	2000	600	400
● R5CQE2065 ¹	2000	600	500
● R5CQE2066 ¹	2000	600	600
● R5CQE2068 ¹	2000	600	800
● R5CQE2084 ¹	2000	800	400
● R5CQE2085 ¹	2000	800	500
● R5CQE2086 ¹	2000	800	600
● R5CQE2088 ¹	2000	800	800
● R5CQE20104 ¹	2000	1000	400
● R5CQE20105 ¹	2000	1000	500
● R5CQE20106 ¹	2000	1000	600
● R5CQE20108 ¹	2000	1000	800
R5CQE20124 ²	2000	1200	400
R5CQE20125 ²	2000	1200	500
R5CQE20126 ²	2000	1200	600
R5CQE20128 ²	2000	1200	800
R5CQE20144 ²	2000	1400	400
R5CQE20145 ²	2000	1400	500
R5CQE20146 ²	2000	1400	600
R5CQE20148 ²	2000	1400	800
R5CQE20164 ²	2000	1600	400
R5CQE20165 ²	2000	1600	500
R5CQE20166 ²	2000	1600	600
R5CQE20168 ²	2000	1600	800

Degree of protection:

1. IP 56 EN 60529 / UL NEMA type 4 (IP 65 ordering our bank base RZFUC)
2. IP 55 EN 60529 / UL NEMA type 12

For version “frame only” (roof, base and vertical frame) add “S” to the code (i.e. R5CQE2086S)

- For glazed door version, add “X” to the code (i.e. R5CQE2086X)

- Couple of lateral panel (see page 115)
- Base (see page 135)
- Mounting plate (see page 125)
- Lifting eyebolt (see page 142)



CE
In accordance with European Standards CEI EN 50298

UL US
Underwriters Laboratories Canada and USA - UL 508

TÜV SÜD
TÜV SÜD Group

STURMHAUPT
Certification for Degree of Protection CEI EN 60529

STURMHAUPT
Certification for Crash Energy 20J CEI EN 50102

EUCENTRE
Certification for shockproofing OPCM 3274 20-03-2003

CESI
Certificazione cortocircuito 80 kA CEI EN 60439-1

ACAELOVAG
Certification for short circuit 25kA CEI EN 60439-1

N
Electromagnetic compatibility
89/336/CEE - DLgs n. 476 del 04/12/1992

CQE height 2200



FRAME

assembled frame with patented closed profile manufactured in 1,5 mm galvanized sheet metal painted with RAL 7035 textured finish.

ROOF and BASE

manufactured in 1,5 mm sheet metal painted with RAL 7011 textured finish. Both of them are removable.

BOTTOM

manufactured from 1,5 mm galvanized sheet metal with adjustable wire entry.

BACK

manufactured in 1,5 mm steel sheet, painted with RAL 7035 textured finish with accident preventing rounded edges and 8 frame fixing points.

DOOR

Manufactured in 2 mm steel sheet, painted with RAL 7035 textured finish with accident preventing rounded edges. Additional strengthening frame in galvanized tubular. 4 hinges and 4 locking points. Complete locking system with Ø 3 mm double-comb insert.



UNI EN ISO 9001:2000



In accordance with European Standards CEI EN 50298



Underwriters Laboratories Canada and USA - UL 508



TÜV SÜD Group



Certification for Degree of Protection CEI EN 60529



Certification for Crash Energy 20J CEI EN 50102



Certification for shockproofing OPCM 3274 20-03-2003



Certificazione cortocircuito 80 kA CEI EN 60439-1



Certification for short circuit 25kA CEI EN 60439-1



Electromagnetic compatibility
89/336/CEE - DLgs n. 476 del 04/12/1992

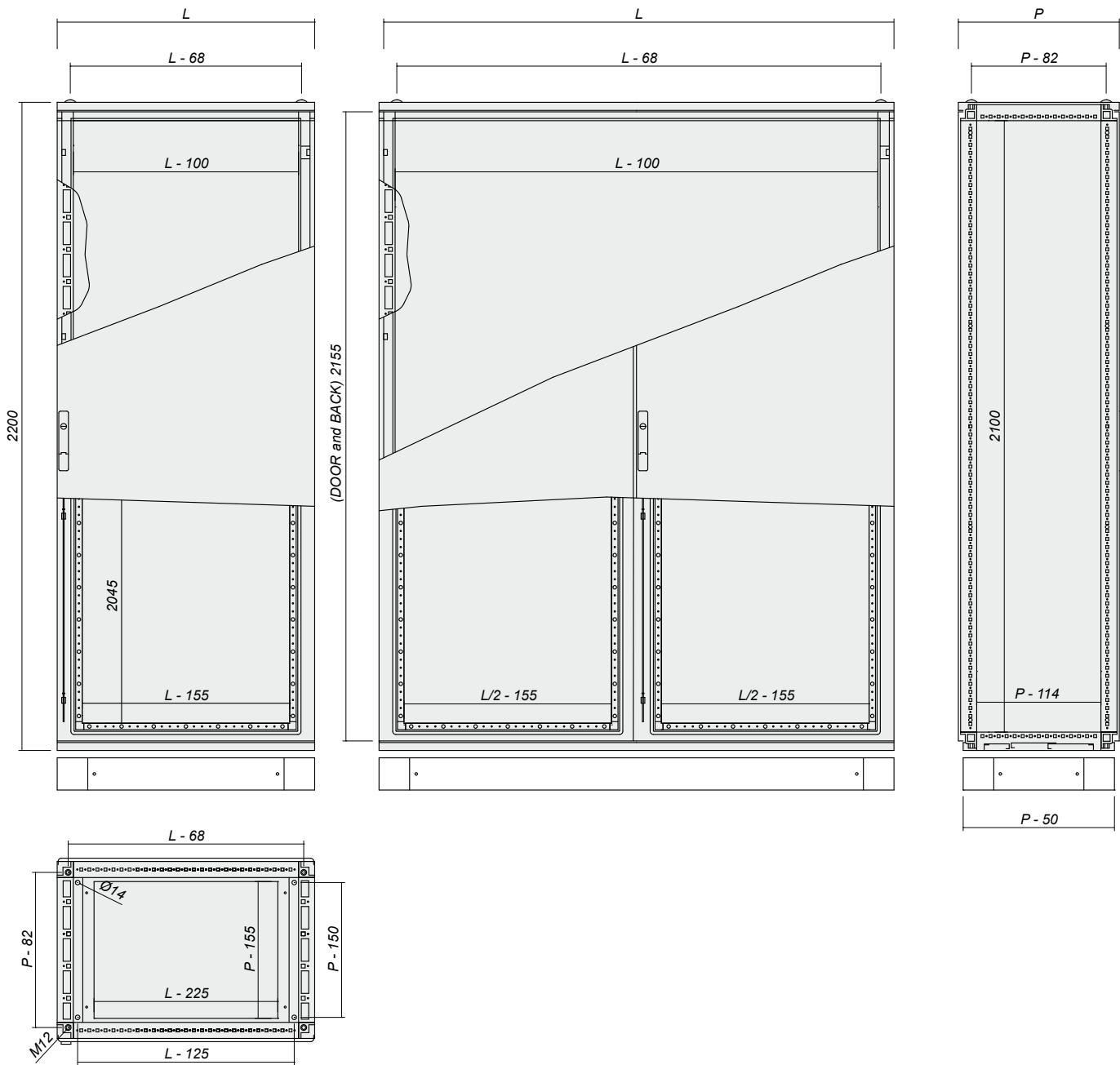
Code	enclosure dimensions		
	height H	width L	depth P
R5CQE2245 ¹	2200	400	500
R5CQE2246 ¹	2200	400	600
R5CQE2248 ¹	2200	400	800
● R5CQE2265 ¹	2200	600	500
● R5CQE2266 ¹	2200	600	600
● R5CQE2268 ¹	2200	600	800
● R5CQE2285 ¹	2200	800	500
● R5CQE2286 ¹	2200	800	600
● R5CQE2288 ¹	2200	800	800
● R5CQE22105 ¹	2200	1000	500
● R5CQE22106 ¹	2200	1000	600
● R5CQE22108 ¹	2200	1000	800
R5CQE22125 ²	2200	1200	500
R5CQE22126 ²	2200	1200	600
R5CQE22128 ²	2200	1200	800

Degree of protection:

1. IP 56 EN 60529 / UL NEMA type 4 (IP 65 ordering our bank base RZFUC)
2. IP 55 EN 60529 / UL NEMA type 12

For version "frame only" (roof, base and vertical frame) add "S" to the code (i.e. R5CQE2286S)

- For glazed door version, add "X" to the code (i.e. R5CQE2286X)



- Couple of lateral panel (see page 115)
- Base (see page 135)
- Mounting plate (see page 125)
- Lifting eyebolt (see page 142)

CQE KIT version

(see page 194)

Code	enclosure dimensions			Roof/ Base	Door/ back frames	Back/ back frames	Door/ door frames	Neutral frames
	H	L	P					
R5CQE1464S	1400	600	400	R1KTB64	R5KMDR14	R5KMRR14	R5KMDD14	R5KMN14
R5CQE1465S	1400	600	500	R1KTB65	R5KMDR14	R5KMRR14	R5KMDD14	R5KMN14
R5CQE1484S	1400	800	400	R1KTB84	R5KMDR14	R5KMRR14	R5KMDD14	R5KMN14
R5CQE1485S	1400	800	500	R1KTB85	R5KMDR14	R5KMRR14	R5KMDD14	R5KMN14
R5CQE14124S	1400	1200	400	R1KTB124	R5KMDCR14	R5KMRR14	R5KMDCDC14	R5KMN14
R5CQE14125S	1400	1200	500	R1KTB125	R5KMDCR14	R5KMRR14	R5KMDCDC14	R5KMN14
R5CQE14164S	1400	1600	400	R1KTB164	R5KMDCR14	R5KMRR14	R5KMDCDC14	R5KMN14
R5CQE14165S	1400	1600	500	R1KTB165	R5KMDCR14	R5KMRR14	R5KMDCDC14	R5KMN14
R5CQE1644S	1600	400	400	R1KTB44	R5KMDR16	R5KMRR16	R5KMDD16	R5KMN16
R5CQE1645S	1600	400	500	R1KTB45	R5KMDR16	R5KMRR16	R5KMDD16	R5KMN16
R5CQE1646S	1600	400	600	R1KTB46	R5KMDR16	R5KMRR16	R5KMDD16	R5KMN16
R5CQE1664S	1600	600	400	R1KTB64	R5KMDR16	R5KMRR16	R5KMDD16	R5KMN16
R5CQE1665S	1600	600	500	R1KTB65	R5KMDR16	R5KMRR16	R5KMDD16	R5KMN16
R5CQE1666S	1600	600	600	R1KTB66	R5KMDR16	R5KMRR16	R5KMDD16	R5KMN16
R5CQE1684S	1600	800	400	R1KTB84	R5KMDR16	R5KMRR16	R5KMDD16	R5KMN16
R5CQE1685S	1600	800	500	R1KTB85	R5KMDR16	R5KMRR16	R5KMDD16	R5KMN16
R5CQE1686S	1600	800	600	R1KTB86	R5KMDR16	R5KMRR16	R5KMDD16	R5KMN16
R5CQE16104S	1600	1000	400	R1KTB104	R5KMDR16	R5KMRR16	R5KMDD16	R5KMN16
R5CQE16105S	1600	1000	500	R1KTB105	R5KMDR16	R5KMRR16	R5KMDD16	R5KMN16
R5CQE16106S	1600	1000	600	R1KTB106	R5KMDR16	R5KMRR16	R5KMDD16	R5KMN16
R5CQE16124S	1600	1200	400	R1KTB124	R5KMDCR16	R5KMRR16	R5KMDCDC16	R5KMN16
R5CQE16125S	1600	1200	500	R1KTB125	R5KMDCR16	R5KMRR16	R5KMDCDC16	R5KMN16
R5CQE16126S	1600	1200	600	R1KTB126	R5KMDCR16	R5KMRR16	R5KMDCDC16	R5KMN16
R5CQE1844S	1800	400	400	R1KTB44	R5KMDR18	R5KMRR18	R5KMDD18	R5KMN18
R5CQE1845S	1800	400	500	R1KTB45	R5KMDR18	R5KMRR18	R5KMDD18	R5KMN18
R5CQE1846S	1800	400	600	R1KTB46	R5KMDR18	R5KMRR18	R5KMDD18	R5KMN18
R5CQE1848S	1800	400	800	R1KTB48	R5KMDR18	R5KMRR18	R5KMDD18	R5KMN18
R5CQE1864S	1800	600	400	R1KTB64	R5KMDR18	R5KMRR18	R5KMDD18	R5KMN18
R5CQE1865S	1800	600	500	R1KTB65	R5KMDR18	R5KMRR18	R5KMDD18	R5KMN18
R5CQE1866S	1800	600	600	R1KTB66	R5KMDR18	R5KMRR18	R5KMDD18	R5KMN18
R5CQE1868S	1800	600	800	R1KTB68	R5KMDR18	R5KMRR18	R5KMDD18	R5KMN18
R5CQE1884S	1800	800	400	R1KTB84	R5KMDR18	R5KMRR18	R5KMDD18	R5KMN18
R5CQE1885S	1800	800	500	R1KTB85	R5KMDR18	R5KMRR18	R5KMDD18	R5KMN18
R5CQE1886S	1800	800	600	R1KTB86	R5KMDR18	R5KMRR18	R5KMDD18	R5KMN18
R5CQE1888S	1800	800	800	R1KTB88	R5KMDR18	R5KMRR18	R5KMDD18	R5KMN18
R5CQE18104S	1800	1000	400	R1KTB104	R5KMDR18	R5KMRR18	R5KMDD18	R5KMN18
R5CQE18105S	1800	1000	500	R1KTB105	R5KMDR18	R5KMRR18	R5KMDD18	R5KMN18
R5CQE18106S	1800	1000	600	R1KTB106	R5KMDR18	R5KMRR18	R5KMDD18	R5KMN18
R5CQE18108S	1800	1000	800	R1KTB108	R5KMDR18	R5KMRR18	R5KMDD18	R5KMN18
R5CQE18124S	1800	1200	400	R1KTB124	R5KMDCR18	R5KMRR18	R5KMDCDC18	R5KMN18
R5CQE18125S	1800	1200	500	R1KTB125	R5KMDCR18	R5KMRR18	R5KMDCDC18	R5KMN18
R5CQE18126S	1800	1200	600	R1KTB126	R5KMDCR18	R5KMRR18	R5KMDCDC18	R5KMN18
R5CQE18128S	1800	1200	800	R1KTB128	R5KMDCR18	R5KMRR18	R5KMDCDC18	R5KMN18



UNI EN ISO 9001:2000



In accordance with European Directives
CEI EN 50298



Underwriters Laboratories
Canada and USA - UL 508

Code	enclosure dimensions			Roof/ Base	Door/ back frames	Back/ back frames	Door/ door frames	Neutral frames
	H	L	P					
R5CQE2044S	2000	400	400	R1KTB44	R5KMDR20	R5KMRR20	R5KMDD20	R5KMN20
R5CQE2045S	2000	400	500	R1KTB45	R5KMDR20	R5KMRR20	R5KMDD20	R5KMN20
R5CQE2046S	2000	400	600	R1KTB46	R5KMDR20	R5KMRR20	R5KMDD20	R5KMN20
R5CQE2048S	2000	400	800	R1KTB48	R5KMDR20	R5KMRR20	R5KMDD20	R5KMN20
R5CQE2064S	2000	600	400	R1KTB64	R5KMDR20	R5KMRR20	R5KMDD20	R5KMN20
R5CQE2065S	2000	600	500	R1KTB65	R5KMDR20	R5KMRR20	R5KMDD20	R5KMN20
R5CQE2066S	2000	600	600	R1KTB66	R5KMDR20	R5KMRR20	R5KMDD20	R5KMN20
R5CQE2068S	2000	600	800	R1KTB68	R5KMDR20	R5KMRR20	R5KMDD20	R5KMN20
R5CQE2084S	2000	800	400	R1KTB84	R5KMDR20	R5KMRR20	R5KMDD20	R5KMN20
R5CQE2085S	2000	800	500	R1KTB85	R5KMDR20	R5KMRR20	R5KMDD20	R5KMN20
R5CQE2086S	2000	800	600	R1KTB86	R5KMDR20	R5KMRR20	R5KMDD20	R5KMN20
R5CQE2088S	2000	800	800	R1KTB88	R5KMDR20	R5KMRR20	R5KMDD20	R5KMN20
R5CQE20104S	2000	1000	400	R1KTB104	R5KMDR20	R5KMRR20	R5KMDD20	R5KMN20
R5CQE20105S	2000	1000	500	R1KTB105	R5KMDR20	R5KMRR20	R5KMDD20	R5KMN20
R5CQE20106S	2000	1000	600	R1KTB106	R5KMDR20	R5KMRR20	R5KMDD20	R5KMN20
R5CQE20108S	2000	1000	800	R1KTB108	R5KMDR20	R5KMRR20	R5KMDD20	R5KMN20
R5CQE20124S	2000	1200	400	R1KTB124	R5KMDCR20	R5KMRR20	R5KMDCDC20	R5KMN20
R5CQE20125S	2000	1200	500	R1KTB125	R5KMDCR20	R5KMRR20	R5KMDCDC20	R5KMN20
R5CQE20126S	2000	1200	600	R1KTB126	R5KMDCR20	R5KMRR20	R5KMDCDC20	R5KMN20
R5CQE20128S	2000	1200	800	R1KTB128	R5KMDCR20	R5KMRR20	R5KMDCDC20	R5KMN20
R5CQE20144S	2000	1400	400	R1KTB144	R5KMDCR20	R5KMRR20	R5KMDCDC20	R5KMN20
R5CQE20145S	2000	1400	500	R1KTB145	R5KMDCR20	R5KMRR20	R5KMDCDC20	R5KMN20
R5CQE20146S	2000	1400	600	R1KTB146	R5KMDCR20	R5KMRR20	R5KMDCDC20	R5KMN20
R5CQE20148S	2000	1400	800	R1KTB148	R5KMDCR20	R5KMRR20	R5KMDCDC20	R5KMN20
R5CQE20164S	2000	1600	400	R1KTB164	R5KMDCR20	R5KMRR20	R5KMDCDC20	R5KMN20
R5CQE20165S	2000	1600	500	R1KTB165	R5KMDCR20	R5KMRR20	R5KMDCDC20	R5KMN20
R5CQE20166S	2000	1600	600	R1KTB166	R5KMDCR20	R5KMRR20	R5KMDCDC20	R5KMN20
R5CQE20168S	2000	1600	800	R1KTB168	R5KMDCR20	R5KMRR20	R5KMDCDC20	R5KMN20
R5CQE2245S	2200	400	500	R1KTB45	R5KMDR22	R5KMRR22	R5KMDD22	R5KMN22
R5CQE2246S	2200	400	600	R1KTB46	R5KMDR22	R5KMRR22	R5KMDD22	R5KMN22
R5CQE2248S	2200	400	800	R1KTB48	R5KMDR22	R5KMRR22	R5KMDD22	R5KMN22
R5CQE2265S	2200	600	500	R1KTB65	R5KMDR22	R5KMRR22	R5KMDD22	R5KMN22
R5CQE2266S	2200	600	600	R1KTB66	R5KMDR22	R5KMRR22	R5KMDD22	R5KMN22
R5CQE2268S	2200	600	800	R1KTB68	R5KMDR22	R5KMRR22	R5KMDD22	R5KMN22
R5CQE2285S	2200	800	500	R1KTB85	R5KMDR22	R5KMRR22	R5KMDD22	R5KMN22
R5CQE2286S	2200	800	600	R1KTB86	R5KMDR22	R5KMRR22	R5KMDD22	R5KMN22
R5CQE2288S	2200	800	800	R1KTB88	R5KMDR22	R5KMRR22	R5KMDD22	R5KMN22
R5CQE22105S	2200	1000	500	R1KTB105	R5KMDR22	R5KMRR22	R5KMDD22	R5KMN22
R5CQE22106S	2200	1000	600	R1KTB106	R5KMDR22	R5KMRR22	R5KMDD22	R5KMN22
R5CQE22108S	2200	1000	800	R1KTB108	R5KMDR22	R5KMRR22	R5KMDD22	R5KMN22
R5CQE22125S	2200	1200	500	R1KTB125	R5KMDCR22	R5KMRR22	R5KMDCDC22	R5KMN22
R5CQE22126S	2200	1200	600	R1KTB126	R5KMDCR22	R5KMRR22	R5KMDCDC22	R5KMN22
R5CQE22128S	2200	1200	800	R1KTB128	R5KMDCR22	R5KMRR22	R5KMDCDC22	R5KMN22



UNI EN ISO 9001:2000


 In accordance with European Directives
CEI EN 50298

 Underwriters Laboratories
Canada and USA - UL 508

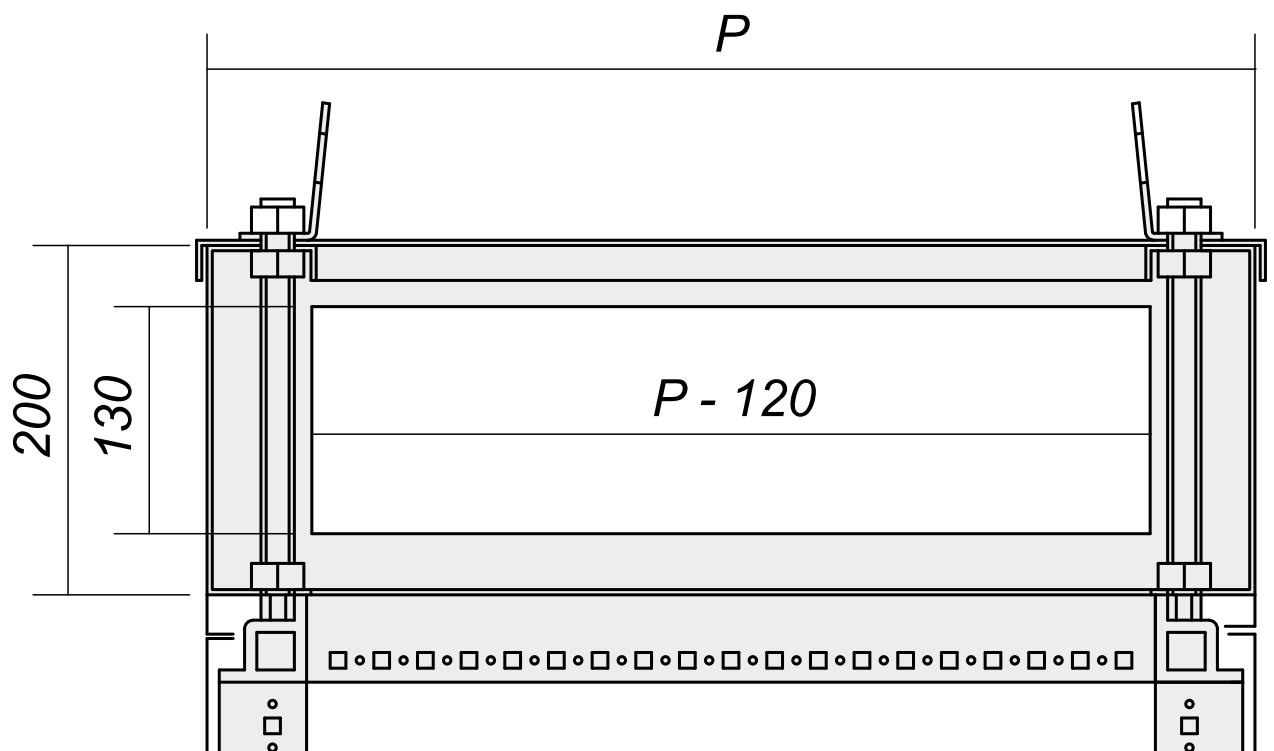
CQE Accessories



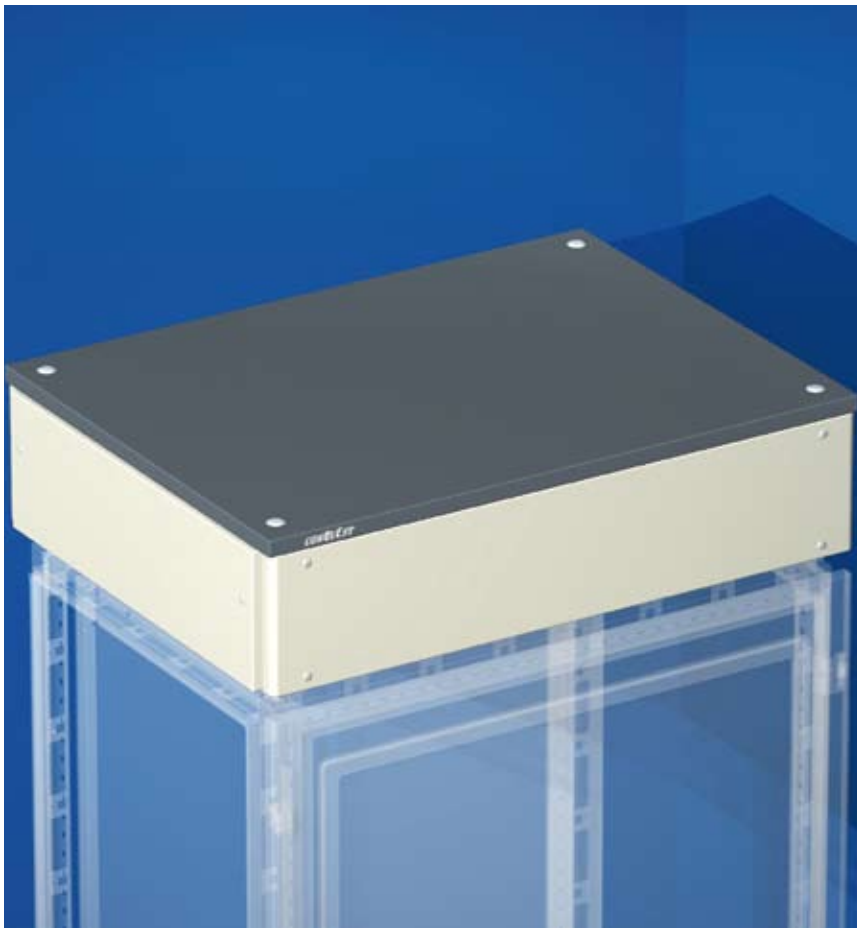
MONOLITH TOP MOUNTING

- Manufactured in 1,5 mm sheet metal painted with RAL 7035 textured finish.
- Specify the length when ordering.
- Max length 2000 mm for every piece with possibility of side-by-side joint.
- All mounting accessories included.
- Degree of protection: IP 55 according to EN 60529.
- Item provided "on application".
- Add to order:
Lateral closures (item R5LSC - cf. 2 pcs.),
combination angle (item RZTS02).

code	monolith top mounting dimensions			lateral closures
	height H	width L	depth P	
R5SCC50	200	To be specified at order	500	R5LSC50
R5SCC60	200	To be specified at order	600	R5LSC60
R5SCC80	200	To be specified at order	800	R5LSC80



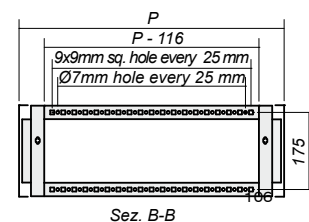
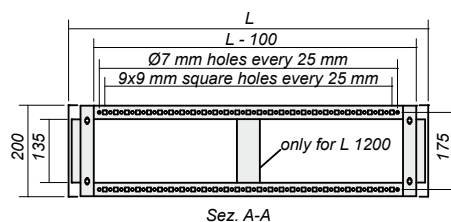
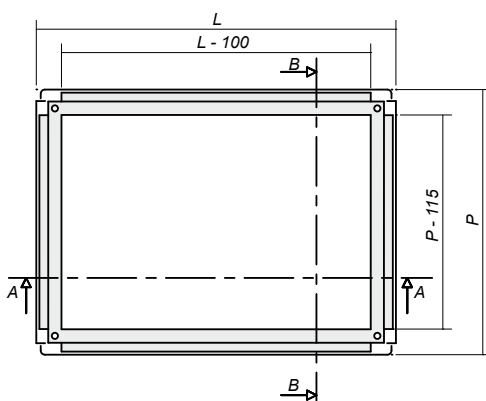
CQE Accessories



SECTIONAL TOP MOUNTING

- Manufactured in 1,5 mm sheet metal painted with RAL 7035 textured finish.
- Mounted above the enclosure to allow the outlet of the cables or mounted above bayed enclosures to allow the distribution of energy through copper bars.
- Accessible on all four sides through removable panels.
- All mounting accessories included.
- Degree of protection: IP55 according to EN 60529.
- Add to order:
 - Lateral closures item R5LSE (1 cf. - 2 pcs.).
 - Roof plate to create a division between the sectional top mounting and the frame of enclosure. Item R5PDS (optional).
 - Sectional top mounting joining kit. Item R5KSU to be ordered if you want to join several top mounting (1 cf. - 4 pcs.).

code	monolith top mounting dimensions			lateral closures	roof plate
	height H	width L	depth P		
R5SCE45	200	400	500	R5LSE50	R5PDS45
R5SCE65	200	600	500	R5LSE50	R5PDS65
R5SCE85	200	800	500	R5LSE50	R5PDS85
R5SCE105	200	1000	500	R5LSE50	R5PDS105
R5SCE125	200	1200	500	R5LSE50	R5PDS125
R5SCE46	200	400	600	R5LSE60	R5PDS46
R5SCE66	200	600	600	R5LSE60	R5PDS66
R5SCE86	200	800	600	R5LSE60	R5PDS86
R5SCE106	200	1000	600	R5LSE60	R5PDS106
R5SCE126	200	1200	600	R5LSE60	R5PDS126



CQE Accessories



CABLE INLET MODULE WITH FRONT OPENING

FRAME

assembled frame with patented closed profile manufactured in 1,5 mm galvanized sheet metal painted with RAL 7035 textured finish.

ROOF and BASE

manufactured in 1,5 mm sheet metal painted with RAL 7011 textured finish, both of them are removable. Roof with inlet hole and gland plate.

BOTTOM L 400

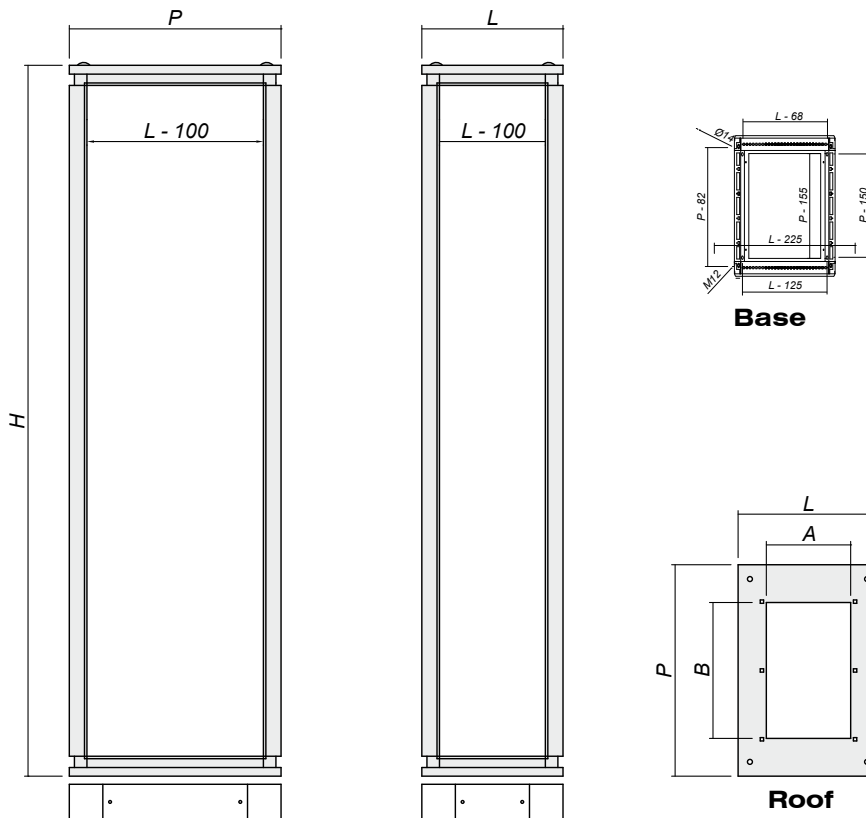
manufactured in 1,5 mm galvanized sheet metal with adjustable wire inlet.

BOTTOM L 300

with inlet hole and gland plate.

Degree of protection

IP 56 EN 60529 / UL NEMA type 4 (IP 65 ordering our blank plate RZFUC).



UNI EN ISO 9001:2000



In accordance with European Standards CEI EN 50298



Underwriters Laboratories Canada and USA - UL 508



TÜV SÜD Group



Certification for Degree of Protection CEI EN 60529



Certification for Crash Energy 20J CEI EN 50102



Certification for shockproofing OPCM 3274 20-03-2003



Certificazione cortocircuito 80 kA CEI EN 60439-1



Certification for short circuit 25kA CEI EN 60439-1



Electromagnetic compatibility
89/336/CEE - DLgs n. 476 del 04/12/1992

code	cable inlet module dimensions			opening dimensions	
	height H	width L	depth P	A	B
R5CQE1834S	1800	300	400	139	249
R5CQE1835S	1800	300	500	139	289
R5CQE1836S	1800	300	600	139	385
R5CQE1838S	1800	300	800	139	585
R5CQE1844S	1800	400	400	239	249
R5CQE1845S	1800	400	500	239	289
R5CQE1846S	1800	400	600	239	385
R5CQE1848S	2000	400	800	239	585
R5CQE2034S	2000	300	400	139	249
R5CQE2035S	2000	300	500	139	289
R5CQE2036S	2000	300	600	139	385
R5CQE2038S	2000	300	800	139	585
R5CQE2044S	2000	400	400	239	249
R5CQE2045S	2000	400	500	239	289
R5CQE2046S	2000	400	600	239	385
R5CQE2048S	2000	400	800	239	585
R5CQE2234S	2200	300	400	139	249
R5CQE2235S	2200	300	500	139	289
R5CQE2236S	2200	300	600	139	385
R5CQE2238S	2200	300	800	139	585
R5CQE2244S	2200	400	400	239	249
R5CQE2245S	2200	400	500	239	289
R5CQE2246S	2200	400	600	239	385



.....

.....

.....

.....

.....

CQE Accessories



COVER WITH DOOR

FRAME

Manufactured in 1,5 mm sheet metal painted with RAL 7035 textured finish.

DOOR

reversible, manufactured in 2 mm sheet metal painted with RAL 7035 textured finish.

UPPER AND LOWER WIRE INLET

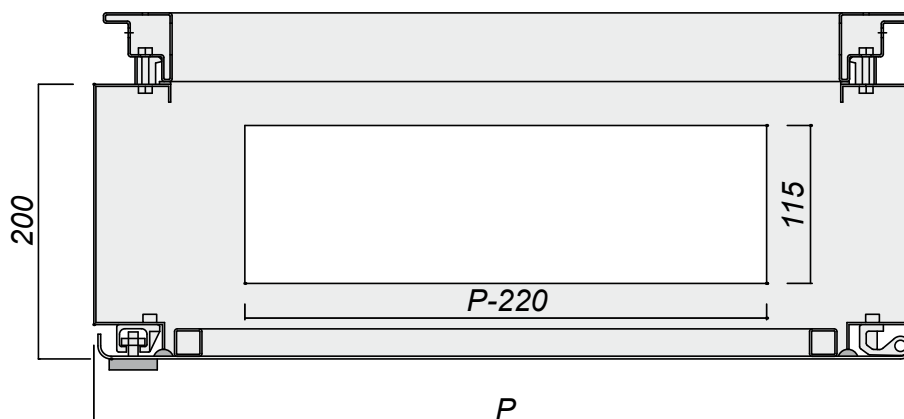
with gland plate manufactured in 1,5 mm sheet metal, suitably designed depending on the size of roof and base, with sealing gasket.

All frame mounting accessories included.

Degree of protection

IP 55 according to EN 60529.

code	height H	cover dimensions width L	depth P
R5CVCE18250	1800	200	500
R5CVCE18260	1800	200	600
R5CVCE18280	1800	200	800
R5CVCE20250	2000	200	500
R5CVCE20260	2000	200	600
R5CVCE20280	2000	200	800



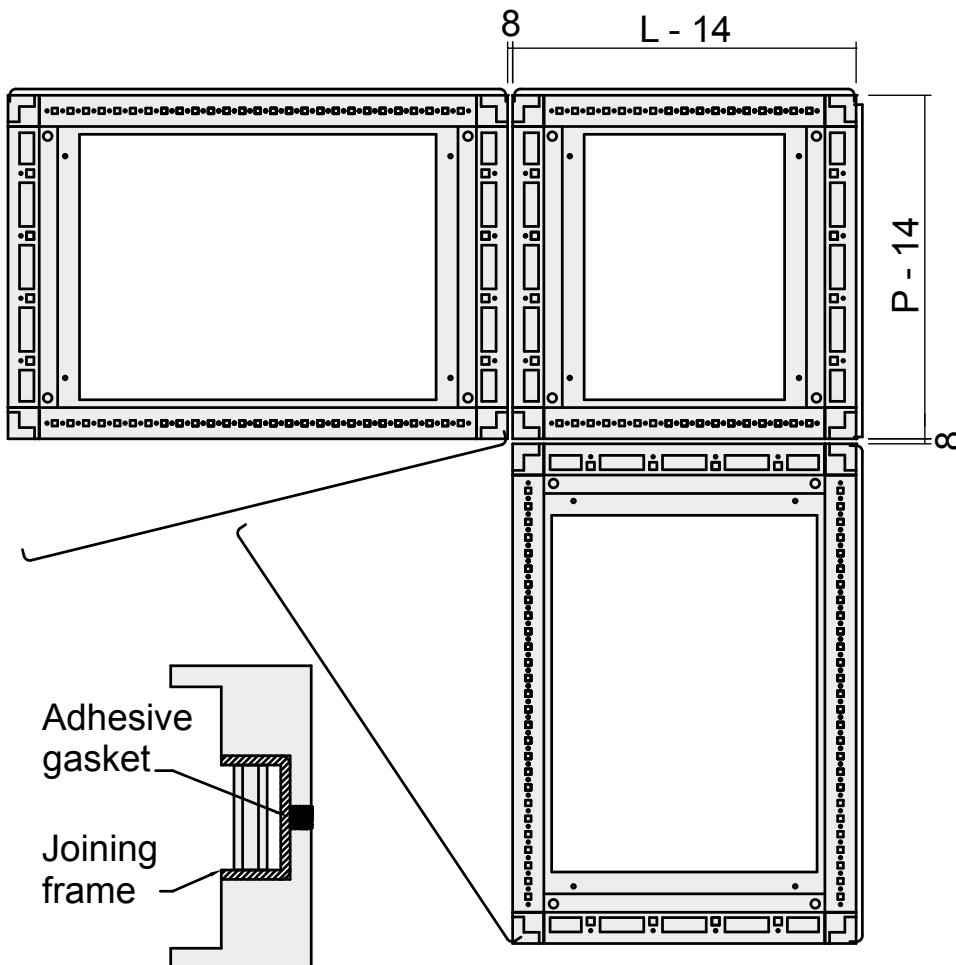
CQE Accessories



CORNER ENCLOSURES

item R5CQEA

- Developed on the base of Conquest, painted with RAL 7035 textured finish.
- Roof and base painted with RAL 7011 textured finish.
- Supplied with two special frame to be fastened to the enclosure sides and with two removable panels.
- Item provided “on application”.
- When ordering, please specify height, width and depth.
- Mounting plate (non standard item) to order apart.
- Degree of protection IP 56 according to EN 60529.



UNI EN ISO 9001:2000



In accordance with European Directive
CEI EN 50298



Underwriters Laboratories Canada and
USA - UL 508



TÜV SÜD Group



Certification for Crash Energy 20J CEI
EN 50102



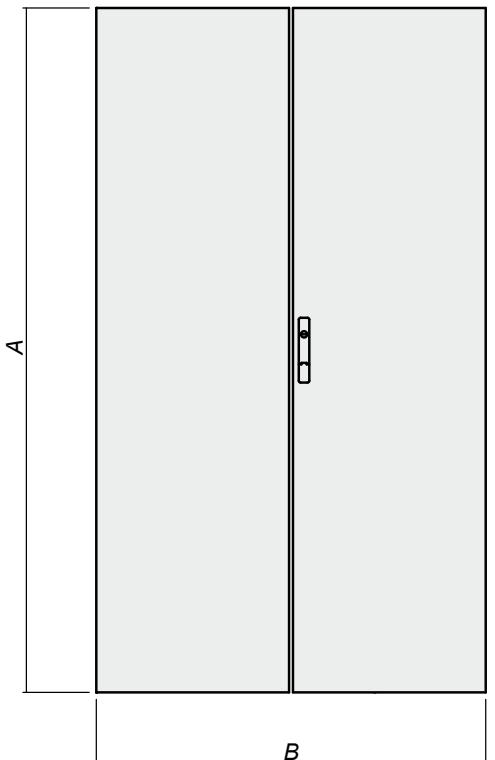
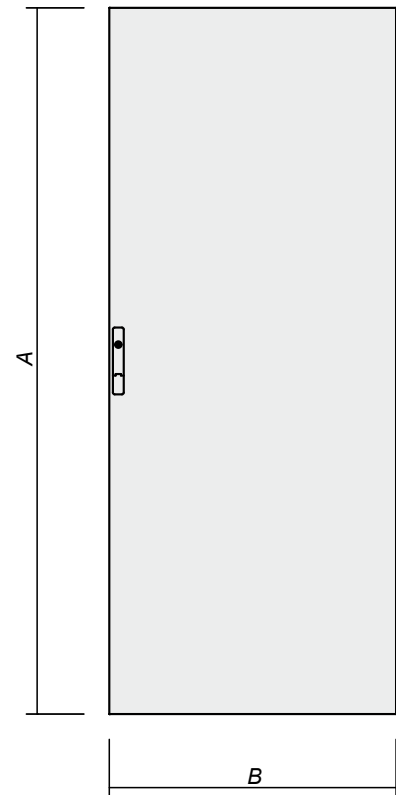
Certification for shockproofing OPCM
3274 20-03-2003

CQE Accessories



BLIND DOOR

- Manufactured in 2 mm steel sheet, painted with RAL 7035 textured finish with accident preventing rounded edges.
- Additional interior galvanized tubular frame.
- 4 hinges and 4 locking points.
- Complete locking system with Ø 3 mm double-comb insert.



code	enclosure dimensions		door dimensions	
	height H	width L	height A	width B
R5CPE1460	1400	600	1355	594
R5CPE1480	1400	800	1355	794
R5CPE14120 *	1400	1200	1355	1194
R5CPE14160 *	1400	1600	1355	1594
R5CPE1640	1600	400	1555	394
R5CPE1660	1600	600	1555	594
R5CPE1680	1600	800	1555	794
R5CPE16100	1600	1000	1555	994
R5CPE16120 *	1600	1200	1555	1194
R5CPE1830	1800	300	1755	294
R5CPE1840	1800	400	1755	394
R5CPE1860	1800	600	1755	594
R5CPE1880	1800	800	1755	794
R5CPE18100	1800	1000	1755	994
R5CPE18120 *	1800	1200	1755	1194
R5CPE2030	2000	300	1955	294
R5CPE2040	2000	400	1955	394
R5CPE2060	2000	600	1955	594
R5CPE2080	2000	800	1955	794
R5CPE20100	2000	1000	1955	994
R5CPE20120 *	2000	1200	1955	1194
R5CPE20140 *	2000	1400	1955	1394
R5CPE20160 *	2000	1600	1955	1594
R5CPE2230	2200	300	2155	294
R5CPE2240	2200	400	2155	394
R5CPE2260	2200	600	2155	594
R5CPE2280	2200	800	2155	794
R5CPE22100	2200	1000	2155	994
R5CPE22120 *	2200	1200	2155	1194

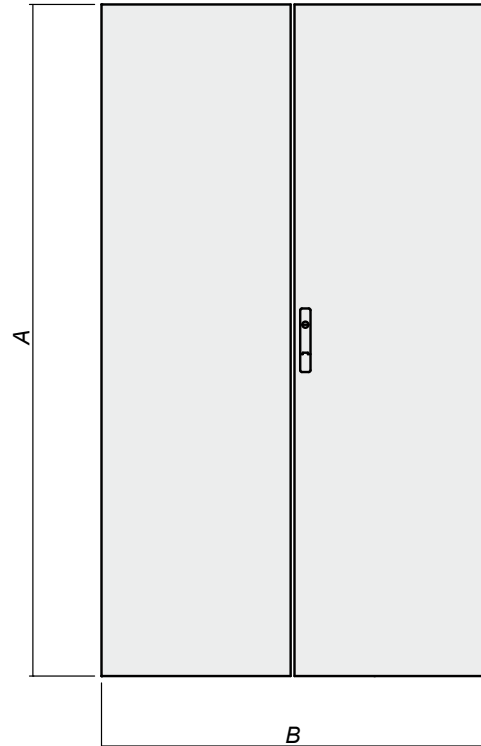
* Double door

CQE Accessories



DOUBLE BLIND DOOR

- Manufactured in 2 mm steel sheet, painted with RAL 7035 textured finish with accident preventing rounded edges.
- Additional interior galvanized tubular frame.
- 4 hinges and 4 locking points.
- Complete locking system with Ø 3 mm double-comb insert.
- Double door with single door different size (i.e. L = 1000 = 400 + 600) available on demand.



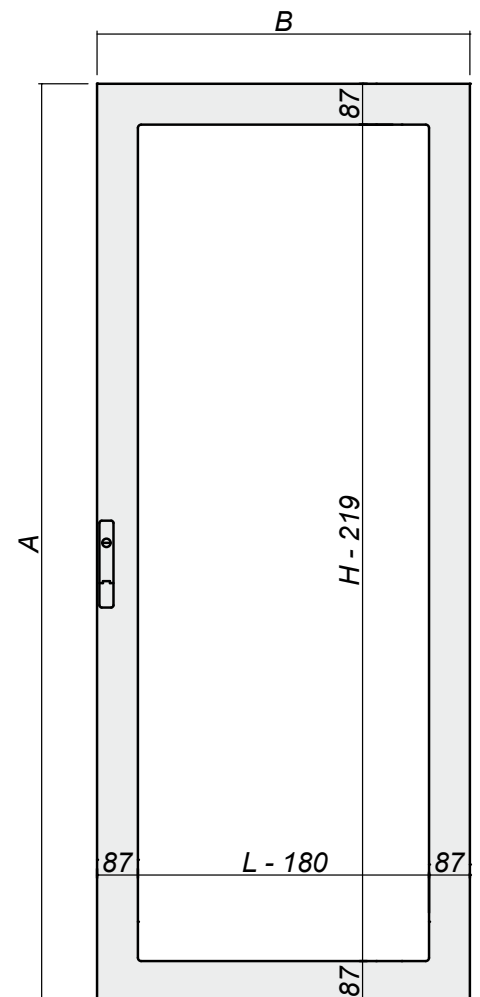
code	enclosure dimensions		door dimensions	
	height H	width L	height A	width B
R5CPE1481	1400	800	1355	794
R5CPE1681	1600	800	1555	794
R5CPE16101	1600	1000	1555	994
R5CPE1881	1800	800	1755	794
R5CPE18101	1800	1000	1755	994
R5CPE2081	2000	800	1955	794
R5CPE20101	2000	1000	1955	994
R5CPE2281	2200	800	2155	794
R5CPE22101	2200	1000	2155	994

CQE Accessories



GLAZED DOOR

- Manufactured in 2 mm steel sheet, painted with RAL 7035 textured finish with accident preventing rounded edges.
- 4 hinges.
- 4 locking points.
- Complete locking system with \varnothing 3 mm double-comb insert.
- Security glass 4 mm.



code	enclosure dimensions		glazed door dimensions	
	height H	width L	A	B
R5CPTE1460	1400	600	1355	594
R5CPTE1480	1400	800	1355	794
R5CPTE1660	1600	600	1555	594
R5CPTE1680	1600	800	1555	794
R5CPTE16100	1600	1000	1555	994
R5CPTE1860	1800	600	1755	594
R5CPTE1880	1800	800	1755	794
R5CPTE18100	1800	1000	1755	994
R5CPTE2060	2000	600	1955	594
R5CPTE2080	2000	800	1955	794
R5CPTE20100	2000	1000	1955	994
R5CPTE2260	2200	600	2155	594
R5CPTE2280	2200	800	2155	794
R5CPTE22100	2200	1000	2155	994



.....

.....

.....

.....

.....

.....

.....

.....

.....

.....

.....

.....

.....

.....

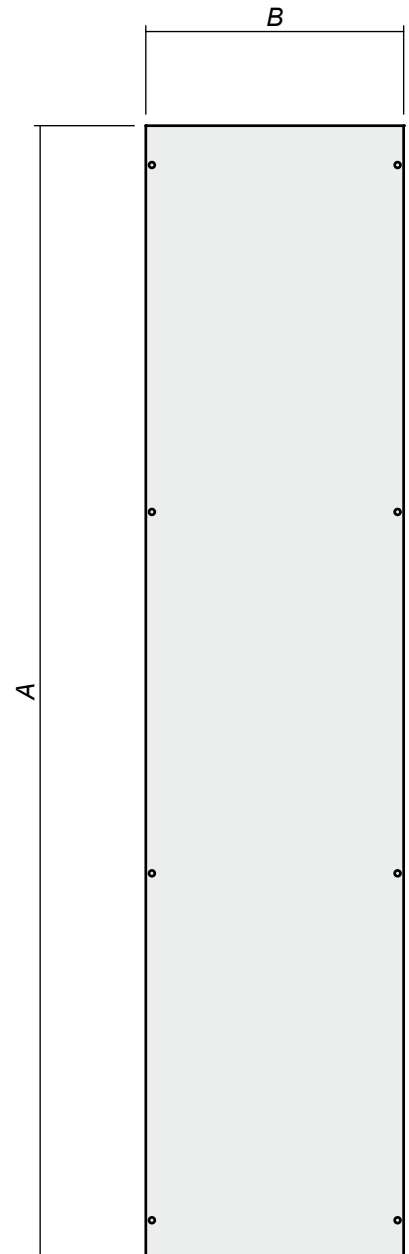
.....

CQE Accessories



SIDE PANELS

- Manufactured in 1,5 mm steel sheet, painted with RAL 7035 textured finish.
- 6 or 8 fixing point (according to the panel size).
- 2 pcs packaging with all assembling accessories.



code	enclosure dimensions		side panel dimensions	
	height H	width L	A	B
R5LE1442	1400	400	1361	346
R5LE1452	1400	500	1361	446
R5LE1642	1600	400	1561	346
R5LE1652	1600	500	1561	446
R5LE1662	1600	600	1561	546
R5LE1842	1800	400	1761	346
R5LE1852	1800	500	1761	446
R5LE1862	1800	600	1761	546
R5LE1882	1800	800	1761	746
R5LE2042	2000	400	1961	346
R5LE2052	2000	500	1961	446
R5LE2062	2000	600	1961	546
R5LE2082	2000	800	1961	746
R5LE2252	2200	500	2161	446
R5LE2262	2200	600	2161	546
R5LE2282	2200	800	2161	746

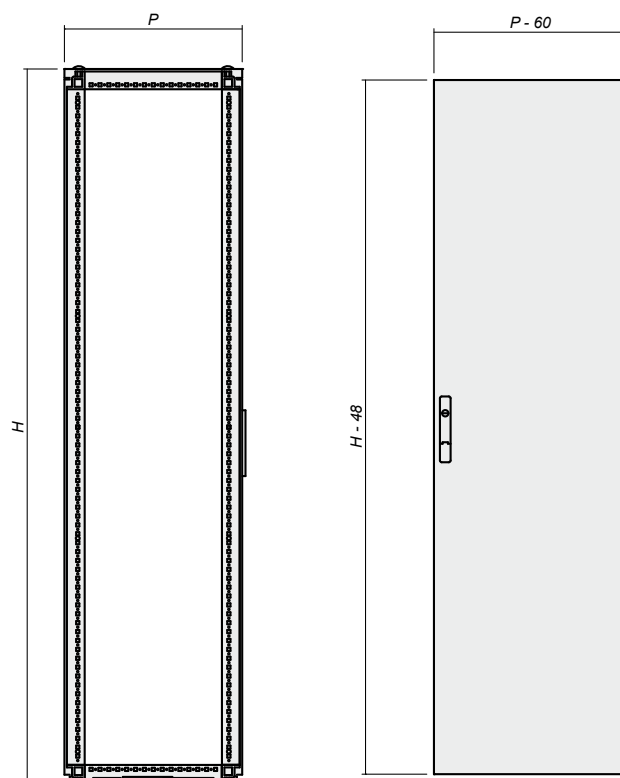
CQE Accessories



SIDE DOOR

- Manufactured in 2 mm steel sheet, painted with RAL 7035 textured finish.
- Additional interior galvanized tubular frame.
- Maximum open angle approximately 100°.
- Complete locking system with Ø 3 mm double-comb insert.
- All mounting accessories included.
- Degree of protection: IP 55 according to EN 60529.

code	enclosure dimensions	
	height H	depth P
R5CPL1850	1800	500
R5CPL1860	1800	600
R5CPL1880	1800	800
R5CPL2050	2000	500
R5CPL2060	2000	600
R5CPL2080	2000	800
R5CPL2250	2200	500
R5CPL2260	2200	600
R5CPL2280	2200	800



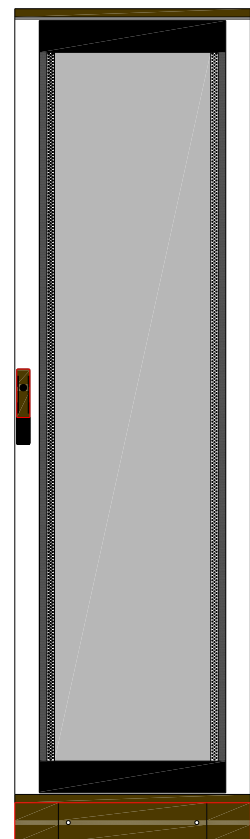
CQE Accessories



CRYSTAL SCREEN DOOR

- Manufactured in 2 mm steel sheet, painted with RAL 7035 textured finish.
- 4 cerniere
- 4 hinges.
- 4 locking points.
- Complete locking system with Ø 3 mm double-comb insert.
- Security crystal-screen 4 mm.

Code	Heigh H	Width L
R5CPTED1860	1800	600
R5CPTED2060	2000	600
R5CPTED1880	1800	800
R5CPTED2080	2000	800



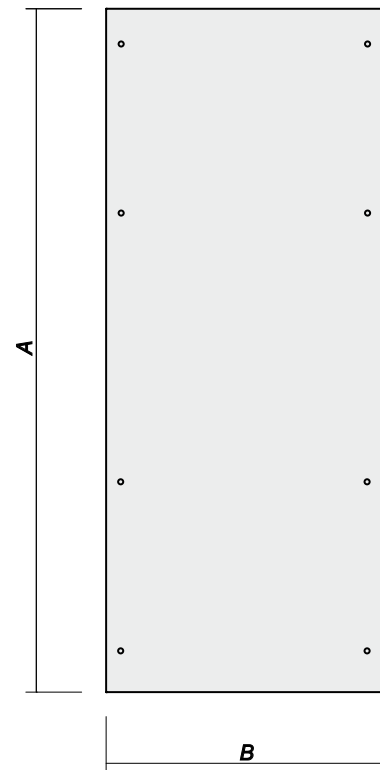
CQE Accessories



BACK PANEL

- Manufactured in 1,5 mm steel sheet, painted with RAL 7035 textured finish with accident preventing rounded edges.
- 8 or more frame fixing points.

Code	enclosure dimension		rear dimension	
	heigh H	width L	heigh A	width B
R5CRE1460	1400	600	1355	594
R5CRE1480	1400	800	1355	794
R5CRE14120	1400	1200	1355	1194
R5CRE14160	1400	1600	1355	1594
R5CRE1640	1600	400	1555	394
R5CRE1660	1600	600	1555	594
R5CRE1680	1600	800	1555	794
R5CRE16100	1600	1000	1555	994
R5CRE16120	1600	1200	1555	1194
R5CRE1830	1800	300	1755	294
R5CRE1840	1800	400	1755	394
R5CRE1860	1800	600	1755	594
R5CRE1880	1800	800	1755	794
R5CRE18100	1800	1000	1755	994
R5CRE18120	1800	1200	1755	1194
R5CRE2030	2000	300	1955	294
R5CRE2040	2000	400	1955	394
R5CRE2060	2000	600	1955	594
R5CRE2080	2000	800	1955	794
R5CRE20100	2000	1000	1955	994
R5CRE20120	2000	1200	1955	1194
R5CRE20140 *	2000	1400	1955	2 x 697
R5CRE20160 *	2000	1600	1955	2 x 797
R5CRE2230	2200	300	2155	294
R5CRE2240	2200	400	2155	394
R5CRE2260	2200	600	2155	594
R5CRE2280	2200	800	2155	794
R5CRE22100	2200	1000	2155	994
R5CRE22120	2200	1200	2155	1194



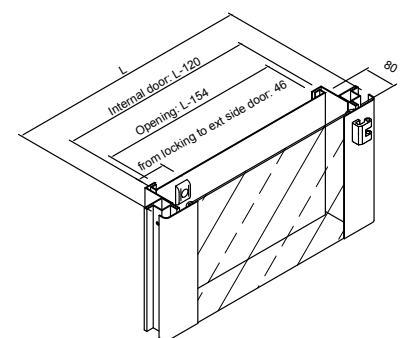
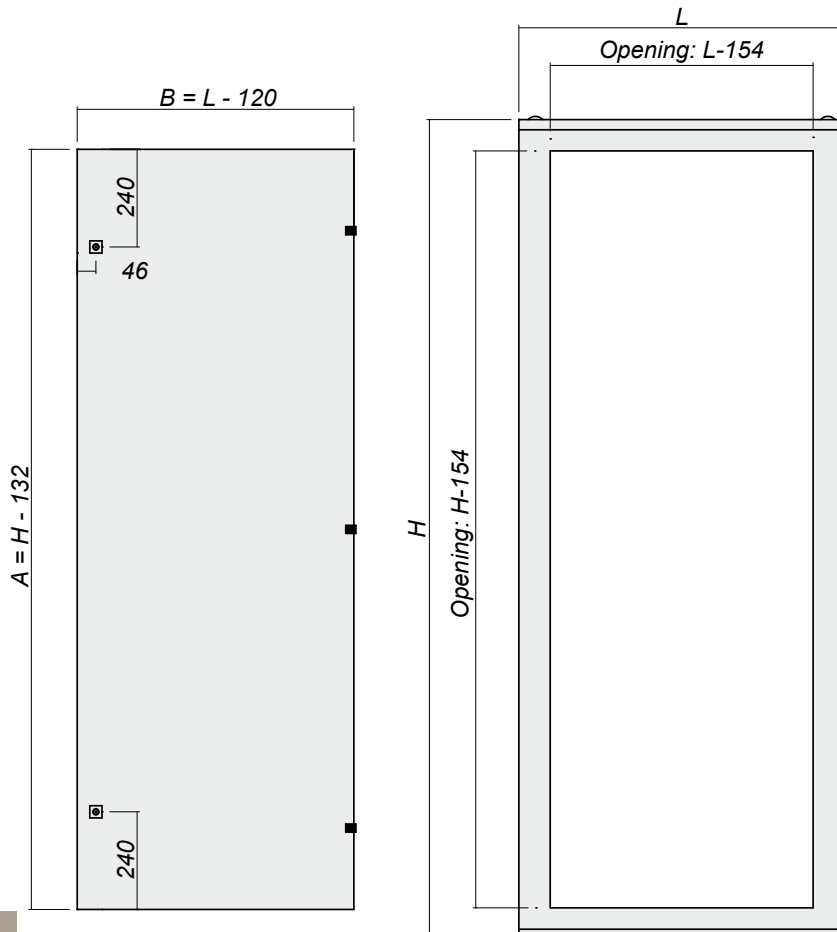
- Back composed of two halves

CQE Accessories




INNER DOOR

- Manufactured in 2 mm steel sheet painted with RAL 7035 textured finish.
- Frame assembly is supplied.
- Degree of protection IP 20 EN 60529.
- Package including all mounting accessories.



code	enclosure dimensions		internal door dimensions		opening	
	height H	width L	A	B		
R5PIE1460	1400	600	1268	480	1246	446
R5PIE1480	1400	800	1268	680	1246	646
R5PIE14100	1400	1000	1268	880	1246	846
R5PIE1660	1600	600	1468	480	1446	446
R5PIE1680	1600	800	1468	680	1446	646
R5PIE16100	1600	1000	1468	880	1446	846
R5PIE1860	1800	600	1668	480	1646	446
R5PIE1880	1800	800	1668	680	1646	646
R5PIE18100	1800	1000	1668	880	1646	846
R5PIE2060	2000	600	1868	480	1846	446
R5PIE2080	2000	800	1868	680	1846	646
R5PIE20100	2000	1000	1868	880	1846	846
R5PIE2260	2200	600	2068	480	2046	446
R5PIE2280	2200	800	2068	680	2046	646
R5PIE22100	2200	1000	2068	880	2046	846



.....

.....

.....

.....

.....

.....

.....

.....

.....

.....

CQE Accessories



DOOR RAILS

- Manufactured in 2 mm galvanized steel sheet.
- Directly mounted on the internal galvanized tubular frame.
- Suitable for mounting many accessories.
- 10 pcs packaging including all mounting screws.

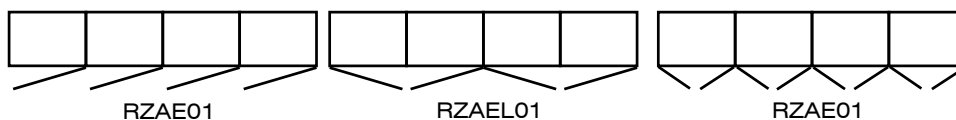
Code	door width
RZTPE50	500
RZTPE60	600
RZTPE70	700
RZTPE80	800
RZTPE100	1000



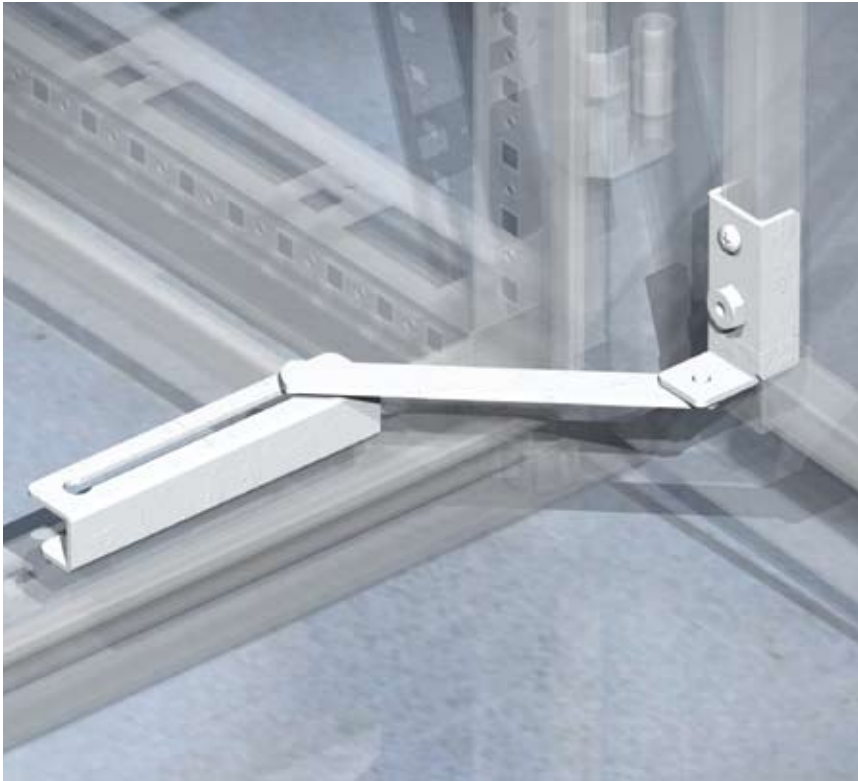
DOOR INTERLOCK

- Manufactured in 2,5 mm galvanized steel sheet.
- Allows the opening of a second door only when the main one is open.
- 1 pcs packaging including all mounting screws.

Code	description
RZAE01	sequenced doors
RZAE01	side-by-side doors



CQE Accessories



DOOR STAY

item RZAE02

- Manufactured in 2 mm galvanized steel sheet.
- To secure the door in open position with an angle of 90°.
- All mounting accessories included

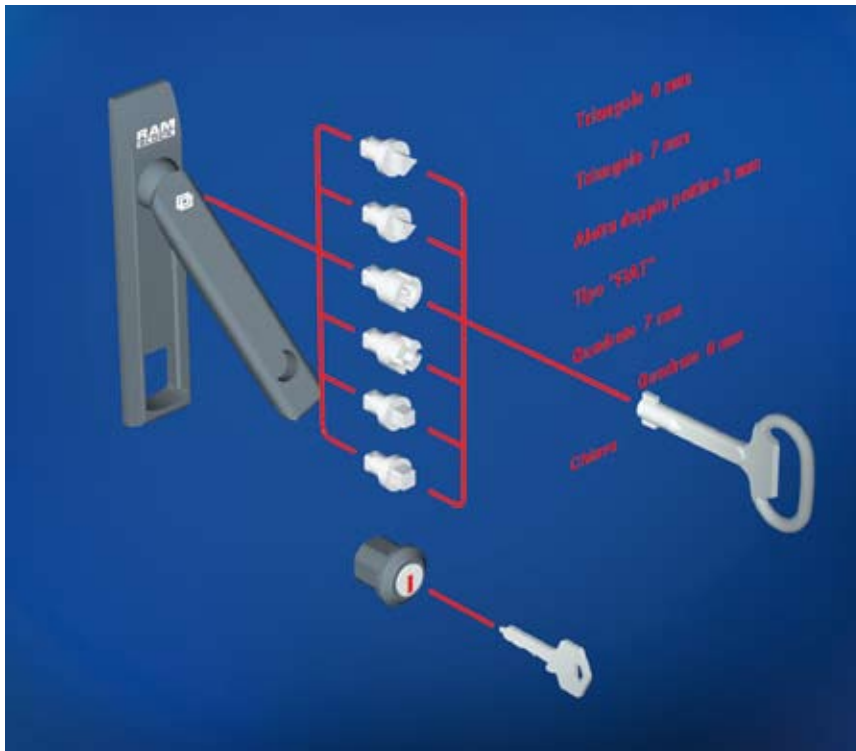


HINGES 180°

item R1CE248

- Manufactured in extruded aluminium alloy painted with RAL 9005 matt finish.
- Allow an opening of 180°.
- Including all mounting screw.
- Drilling door required.
- 4 pcs packaging.

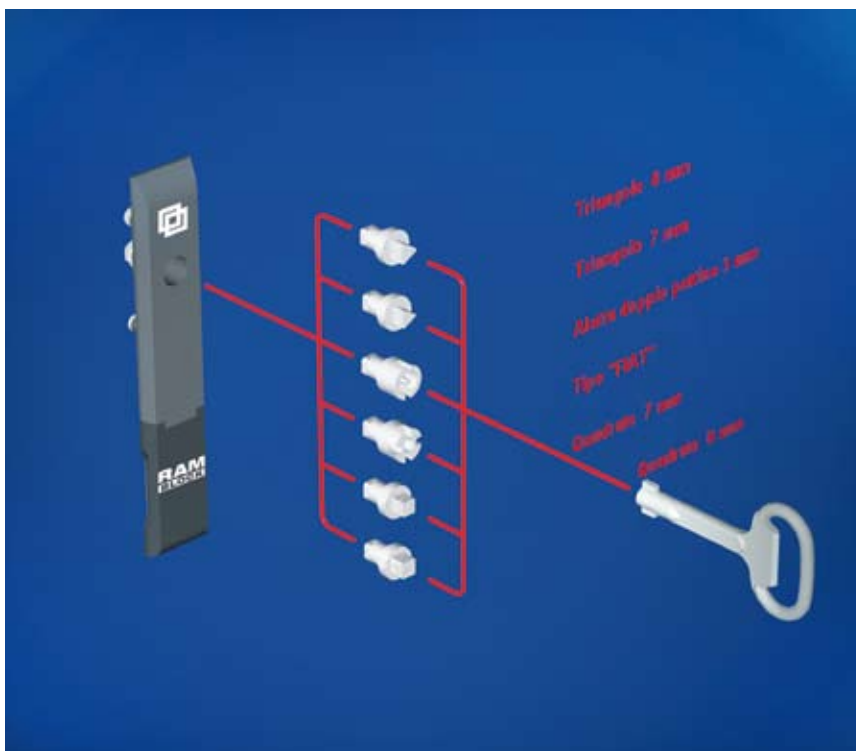
CQE Accessories



TURN HANDLE

code	description
RPCE207	Chiusura completa di inserto tipo aletta doppio pettine Ø 3 mm
RPCE201	Chiusura completa di inserto a chiave

key code	insert code	description
RZCE230	RZCE219	Ø 3 mm double-comb insert
RZCE236	RZCE214	8 mm triangle
RZCE235	RZCE213	7 mm triangle
RZCE237	RZCE262	"FIAT"
RZCE233	RZCE211	7 mm square
RZCE234	RZCE212	8 mm square



CHIUSURA CON MOSTRINA GRANDE

Code	description
RPCE202	Complete locking system with Ø 3 mm double-comb insert
RPCE203	Complete locking system with FIAT insert

Codice chiave metallo	Codice inserto	description
RZCE230	RZCE219	Ø 3 mm double-comb insert
RZCE236	RZCE214	8 mm triangle
RZCE235	RZCE213	7 mm triangle
RZCE233	RZCE211	7 mm square
RZCE234	RZCE212	8 mm square

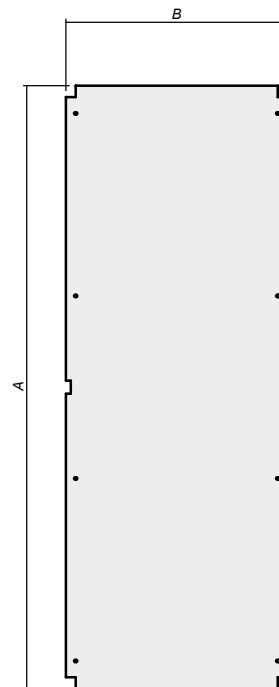
CQE Accessories



ADDITIONAL MOUNTING PLATE

- Manufactured in 2,5 mm galvanized steel sheet.
- Directly fixed on the back side of the main mounting plate. It allows the fixing of more components both in the front and in the back of the mounting plate.
- Package including all mounting screws.

Be careful: we advice to use proper accident preventing gloves while handling the mounting plate (Artt. 41-42-43 DLG 626/94 - Italian laws).



code	enclosure dimensions		additional mounting plate dimensions	
	height H	width L	A	B
RZPSP1860	1800	600	1650	480
RZPSP1880	1800	800	1650	680
RZPSP18100	1800	1000	1650	880
RZPSP18120	1800	1200	1650	1080
RZPSP2060	2000	600	1850	480
RZPSP2080	2000	800	1850	680
RZPSP20100	2000	1000	1850	880
RZPSP20120	2000	1200	1850	1080

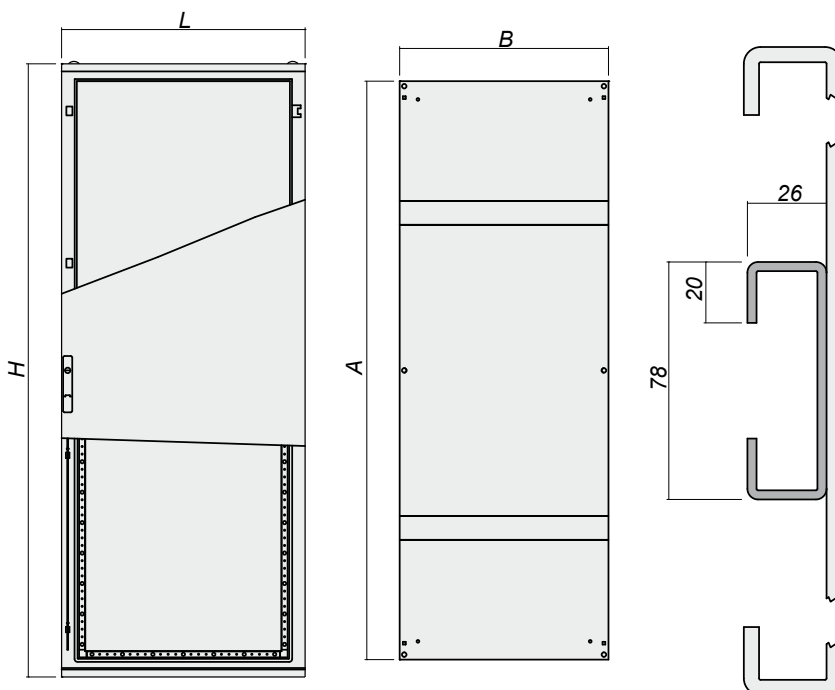
CQE Accessories



MOUNTING PLATE

- Manufactured in 2,5 or 3 mm galvanized steel sheet according to the size.
- Max distance between door and mounting plate: $P - 82$. I.E.: For a 500 mm depth enclosure, this distance is: $500 - 82 = 418$ mm.
- Possibility of maximum setback of the mounting plate through the optional kit item RZAE06. The distance between door and mounting plate is $P - 57$.
- If you want to install a smaller mounting panel than the enclosure, you should purchase our special bracket item RAAE08 to fix onto our lateral rails item RZTLE to be purchased according to the enclosure depth.

Be careful: we advice to use proper accident preventing gloves while handling the mounting plate (Artt. 41-42-43 DLG 626/94 - Italian laws).



REINFORCEMENT CROSS FOR PCE

- Suitable for assembling particularly heavy devices.
- Package including two strengthening crosses manufactured in galvanized steel sheet and all the necessary screws.

Code	enclosure width
RZRPC60	600
RZRPC80	800
RZRPC100	1000
RZRPC120	1200
RZRPC140	1400
RZRPC160	1600

code	enclosure dimensions		mounting plate dimensions	
	height H	width L	A	B
RZPCE1460	1400	600	1283	486
RZPCE1480	1400	800	1283	686
RZPCE14120	1400	1200	1283	1086
RZPCE14160	1400	1600	1283	1286
RZPCE1640	1600	400	1483	286
RZPCE1660	1600	600	1483	486
RZPCE1680	1600	800	1483	686
RZPCE16100	1600	1000	1483	886
RZPCE16120	1600	1200	1483	1086
RZPCE1830	1800	300	1683	186
RZPCE1840	1800	400	1683	286
RZPCE1860	1800	600	1683	486
RZPCE1880	1800	800	1683	686
RZPCE18100	1800	1000	1683	886
RZPCE18120	1800	1200	1683	1086
RZPCE2030	2000	300	1883	186
RZPCE2040	2000	400	1883	286
RZPCE2060	2000	600	1883	486
RZPCE2080	2000	800	1883	686
RZPCE20100	2000	1000	1883	886
RZPCE20120	2000	1200	1883	1086
RZPCE20140	2000	1400	1883	1286
RZPCE20160	2000	1600	1883	1486
RZPCE2230	2200	300	2083	186
RZPCE2240	2200	400	2083	286
RZPCE2260	2200	600	2083	486
RZPCE2280	2200	800	2083	686
RZPCE22100	2200	1000	2083	886
RZPCE22120	2200	1200	2083	1086

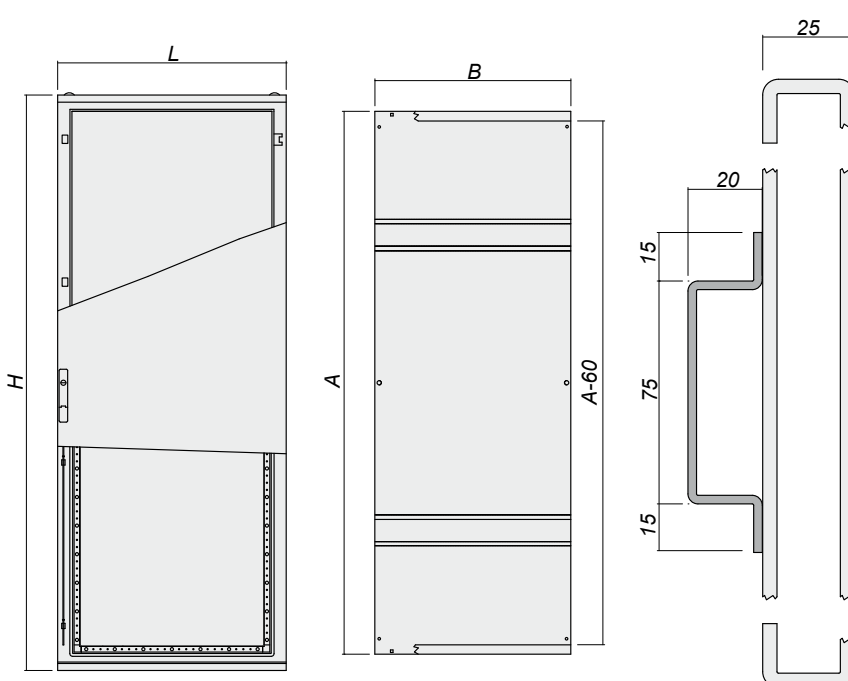
CQE Accessories



SIDEWAYS INSERTED MOUNTING PLATE

- Manufactured in 2,5 or 3 mm galvanized steel sheet according to the size.
- Fixing positions every 25 mm.
- The maximum distance between door and mounting plate is $P - 105$.
Example for R5CQE2086: $P=600$ mm. Max distance = $600 - 105 = 495$ mm.

Be careful: we advice to use proper accident preventing gloves while handling the mounting plate (Artt. 41-42-43 DLG 626/94 - Italian laws).



REINFORCEMENT CROSS FOR PCSE

item RZRPCSE30

- Manufactured in 2 mm galvanized steel sheet.
- Suitable for assembling of particularly heavy devices particularly heavy.
- 3 meters long.
- 2 pcs packaging.

code	enclosure dimensions		side inserted mounting plate dimensions	
	height H	width L	A	B
RZPCSE1660	1600	600	1485	600
RZPCSE1680	1600	800	1485	800
RZPCSE16100	1600	1000	1485	1000
RZPCSE16120	1600	1200	1485	1200
RZPCSE1860	1800	600	1685	600
RZPCSE1880	1800	800	1685	800
RZPCSE18100	1800	1000	1685	1000
RZPCSE18120	1800	1200	1685	1200
RZPCSE2060	2000	600	1885	600
RZPCSE2080	2000	800	1885	800
RZPCSE20100	2000	1000	1885	1000
RZPCSE20120	2000	1200	1885	1200
RZPCSE20140	2000	1400	1885	1400
RZPCSE20160	2000	1600	1885	1600
RZPCSE2260	2200	600	2085	600
RZPCSE2280	2200	800	2085	800
RZPCSE22100	2200	1000	2085	1000
RZPCSE22120	2200	1200	2085	1200



CQE Accessories



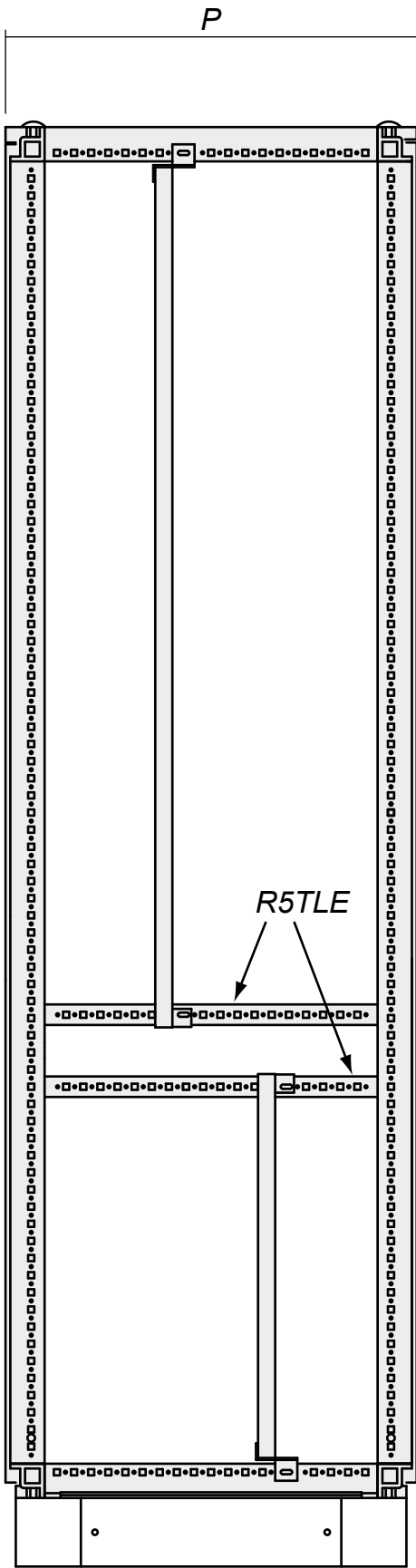
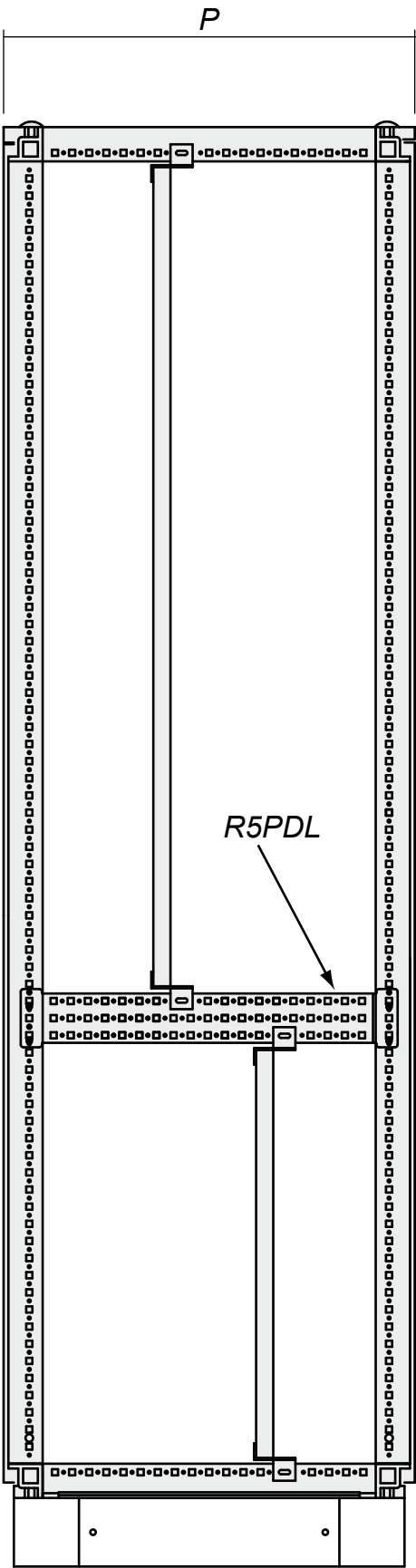
PICT. 1

PICT. 2

PARTIAL MOUNTING PLATE

- Manufactured in 2,5 mm galvanized steel sheet.
- Fixing spacing 25 mm.
- Package including all mounting screws and accessories.
- To be ordered separately: 1 package of DIN side rail (item RZPDL). Its size depends on the depth of the enclosure (PICT. 1).
- If sectional doors, static shelves, and/or blow rail are assembled, you should order 1 package of lateral rail (item RZTLE o R5PLE). Its size depends on the depth of the enclosure (PICT. 2).

code	enclosure width	partial mounting plate dimensions	
		width	height
RZPCPE66	600	486	595
RZPCPE86	600	486	795
RZPCPE106	600	486	995
RZPCPE126	600	486	1195
RZPCPE68	800	686	595
RZPCPE88	800	686	795
RZPCPE108	800	686	995
RZPCPE128	800	686	1195
RZPCPE610	1000	886	595
RZPCPE810	1000	886	795
RZPCPE1010	1000	886	995
RZPCPE1210	1000	886	1195



CQE Accessories



VERTICAL PARTITION

- Manufactured in 1,5 mm galvanized steel sheet.
- Generally used to divide the combined enclosures.
- Degree of protection: IP 30 (IP 54 on demand) according to EN 60529.
- Package including all mounting accessories.
- For IP 54 version, also order adhesive sealing 8x3 mm item RAA56.

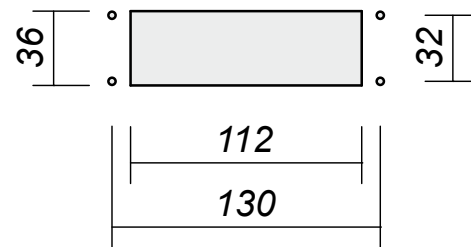
Code	enclosure dimensions	
	height H	depth P
RZDVE1440	1400	400
RZDVE1450	1400	500
RZDVE1640	1600	400
RZDVE1650	1600	500
RZDVE1660	1600	600
RZDVE1840	1800	400
RZDVE1850	1800	500
RZDVE1860	1800	600
RZDVE1880	1800	800
RZDVE2040	2000	400
RZDVE2050	2000	500
RZDVE2060	2000	600
RZDVE2080	2000	800
RZDVE2250	2200	500
RZDVE2260	2200	600
RZDVE2280	2200	800

CQE Accessories



PUNCHED PANEL FOR CONNECTORS

- Manufactured in 2 mm galvanized steel sheet.
- Used as dividing panel between two enclosures, it allow the assembling of 24 pole standard connectors.
- Degree of protection: IP 30 (IP 54 on application) upon EN 60529.
- Package including all mounting accessories.
- For IP54 version, also order adhesive sealing 8x3 mm item RAA56.



24 POLE CONNECTOR

code	enclosure dimensions		number of applicable connectors
	height H	depth P	
RZPCDE1840	1800	400	24 (3 x 8)
RZPCDE1850	1800	500	32 (4 x 8)
RZPCDE1860	1800	600	40 (5 x 8)
RZPCDE1880	1800	800	56 (7 x 8)
RZPCDE2040	2000	400	27 (3 x 9)
RZPCDE2050	2000	500	36 (4 x 9)
RZPCDE2060	2000	600	45 (5 x 9)
RZPCDE2080	2000	800	63 (7 x 9)

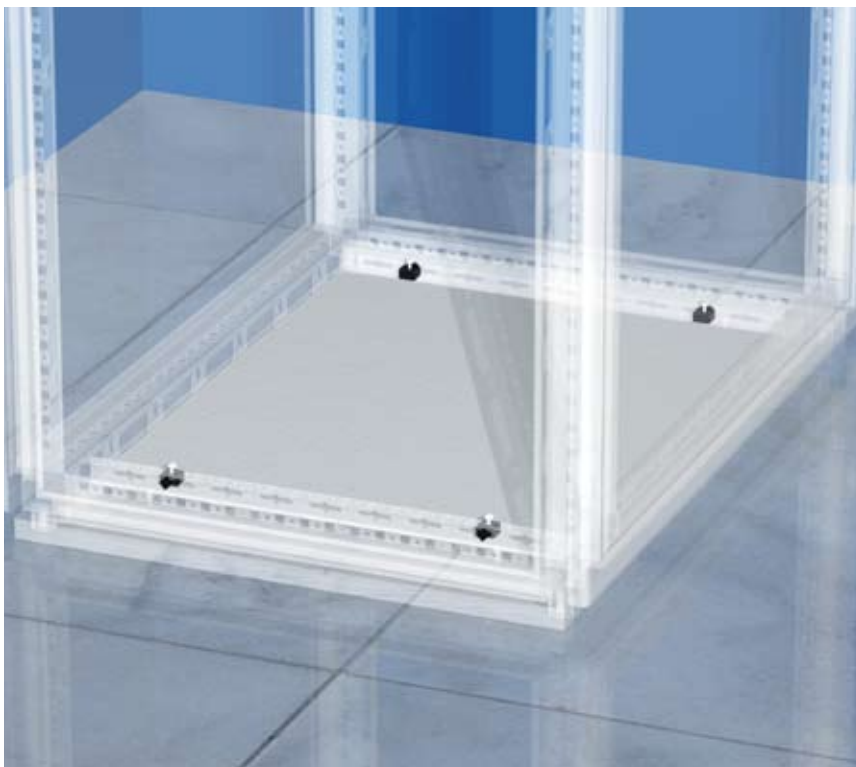
CQE Accessories



INTERMEDIATE MOUNTING PLATE

- Manufactured in 2,5 mm galvanized steel sheet.
- Used to give mounting plate continuity when enclosures are combined.
- Package including all mounting accessories.

Code	enclosure height
RZPIE10	1000
RZPIE12	1200
RZPIE14	1400
RZPIE16	1600
RZPIE18	1800
RZPIE20	2000
RZPIE22	2200



ENCLOSURE BASE

item RZFUC

- Manufactured in 2 mm galvanized steel sheet.
- Necessary if you need a degree of protection IP65 upon EN 60529.
- Supplied with sealing gasket and all mounting accessories.
- Your order should suggest width and depth of enclosure.

Example for R5CQE2086:

width 800 mm

depth 600 mm

blank base RZFUC86

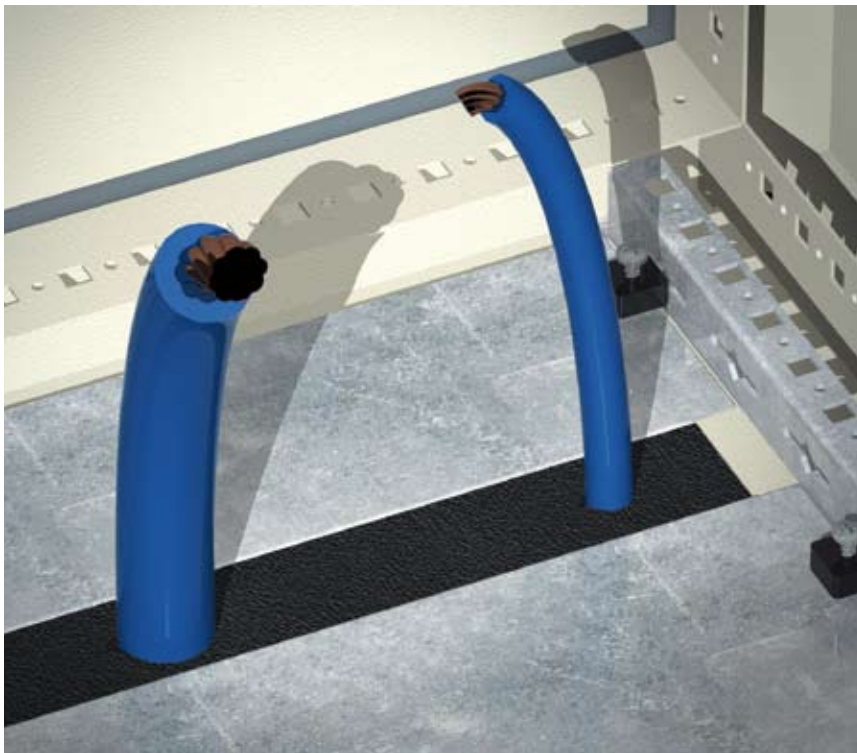
Example for R5CQE20128:

width 1200 mm

depth 800 mm

blank base RZFUC128

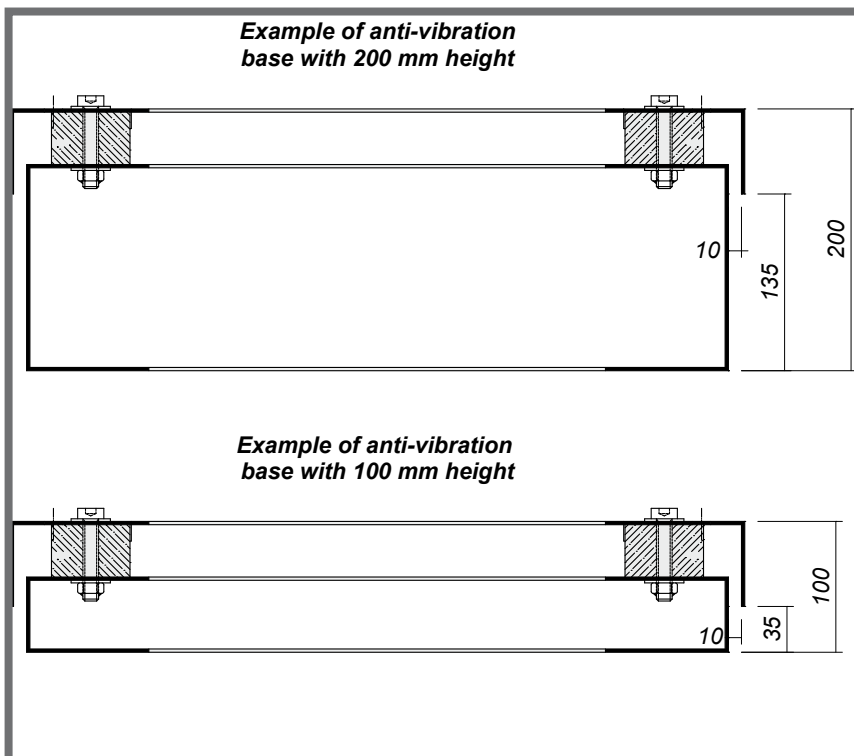
CQE Accessories



FOAM INLET PIPE

- Allow the wire inlet and provide a suitable degree of protection.
- Sealing dimension: 25×25 mm.

Code	enclosure width
RZFPC400	400
RZFPC600	600
RZFPC800	800
RZFPC1000	1000
RZFPC1200	1200
RZFPC1400	1400
RZFPC1600	1600



ANTISISMIC BASE

item R1ZAE

Manufactured in 2,5 mm steel sheet painted with RAL 7011 textured finish.

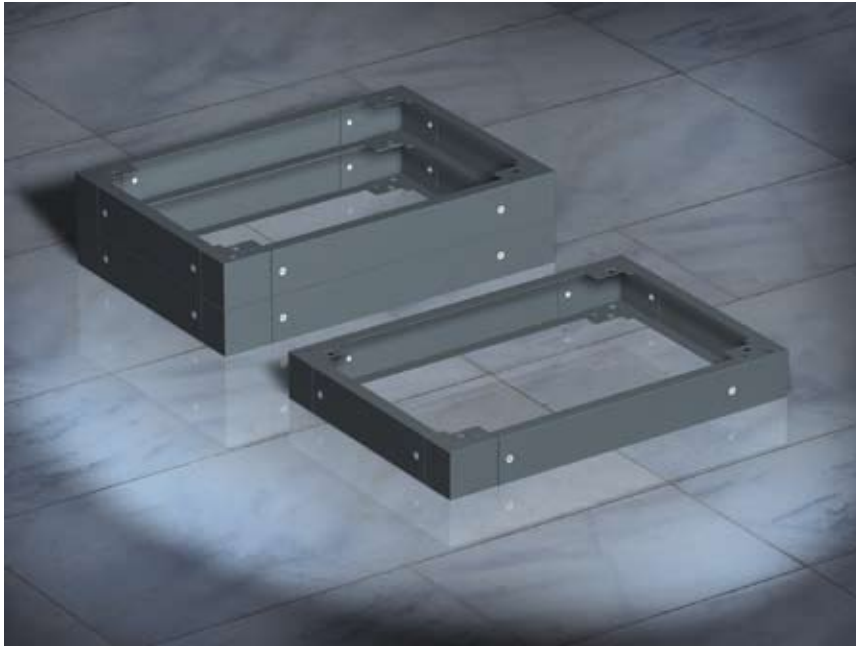
Available in two height 100 and 200 mm.

Supplied with anti-vibrations rubber block and all mounting accessories.

Non standard item. Only “on application”. Your order should suggest width and depth of enclosure.

Item sold by meter.

CQE Accessories

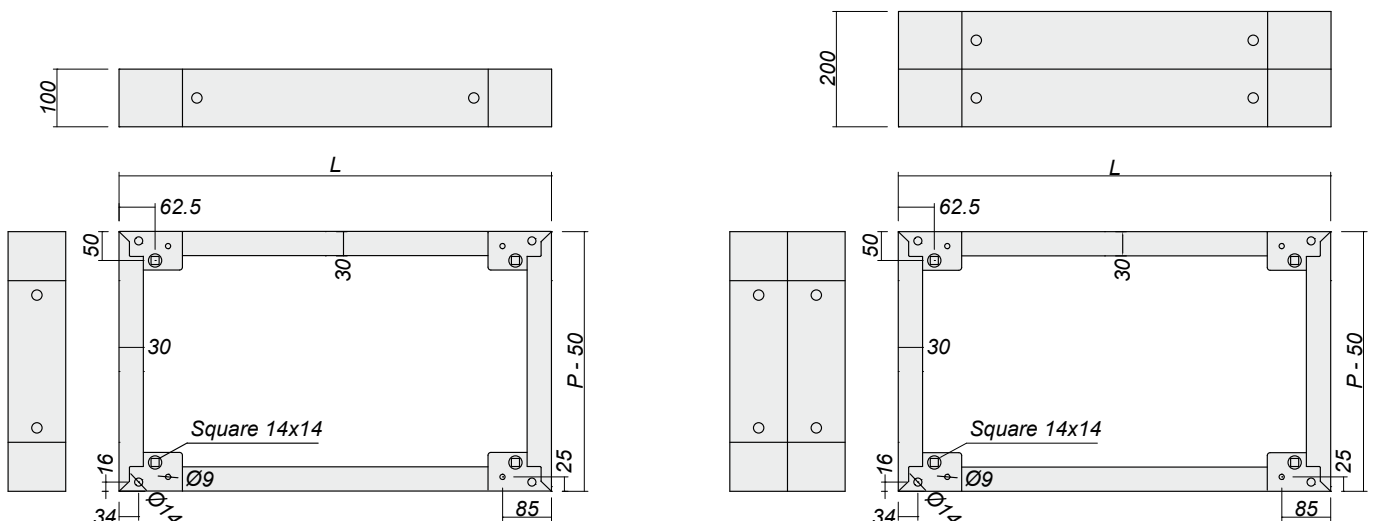


BASES FOR CQE

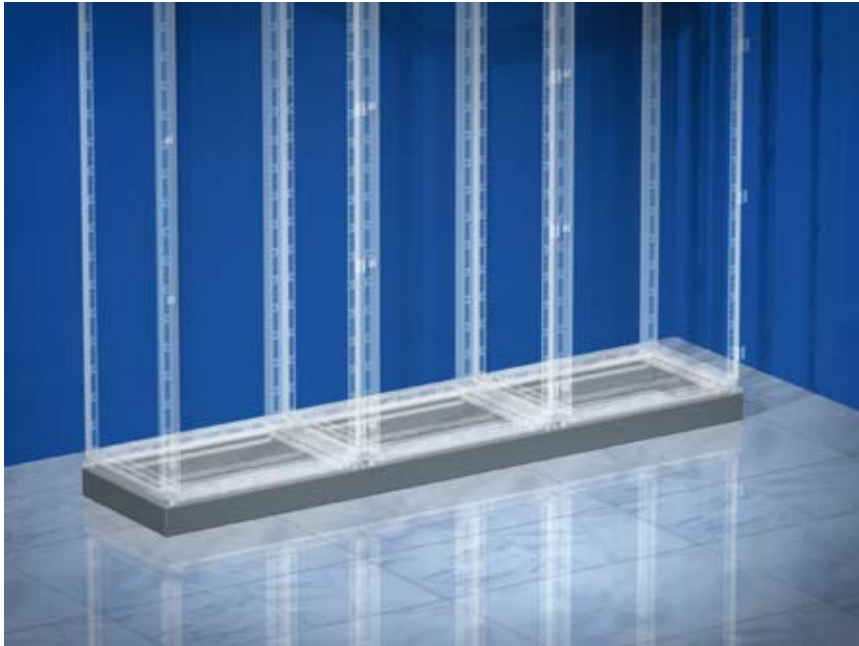
- Manufactured in 2 mm steel sheet painted with RAL 7011 textured finish.
- Front, back and sides are removable for an easy wiring pass.
- Height 100 and 200 mm.
- Package including all mounting screws and other accessories.

enclosure dim. depth width	Height 100 mm				Height 200 mm			
	400	500	600	800	400	500	600	800
200		R1ZE251 ·	R1ZE261 ·	R1ZE281 ·		R1ZE252 ·	R1ZE262 ·	R1ZE282 ·
400	R1ZE441	R1ZE451	R1ZE641	R1ZE841	R1ZE442	R1ZE452	R1ZE642	R1ZE842
600	R1ZE641	R1ZE651	R1ZE661	R1ZE861	R1ZE642	R1ZE652	R1ZE662	R1ZE862
800	R1ZE841	R1ZE851	R1ZE861	R1ZE881	R1ZE842	R1ZE852	R1ZE862	R1ZE882
1000	R1ZE1041	R1ZE1051	R1ZE1061	R1ZE1081	R1ZE1042	R1ZE1052	R1ZE1062	R1ZE1082
1200	R1ZE1241	R1ZE1251	R1ZE1261	R1ZE1281	R1ZE1242	R1ZE1252	R1ZE1262	R1ZE1282
1400	R1ZE1441	R1ZE1451	R1ZE1461	R1ZE1481	R1ZE1442	R1ZE1452	R1ZE1462	R1ZE1482
1600	R1ZE1641	R1ZE1651	R1ZE1661	R1ZE1681	R1ZE1642	R1ZE1652	R1ZE1662	R1ZE1682

- Base for cable inlet module



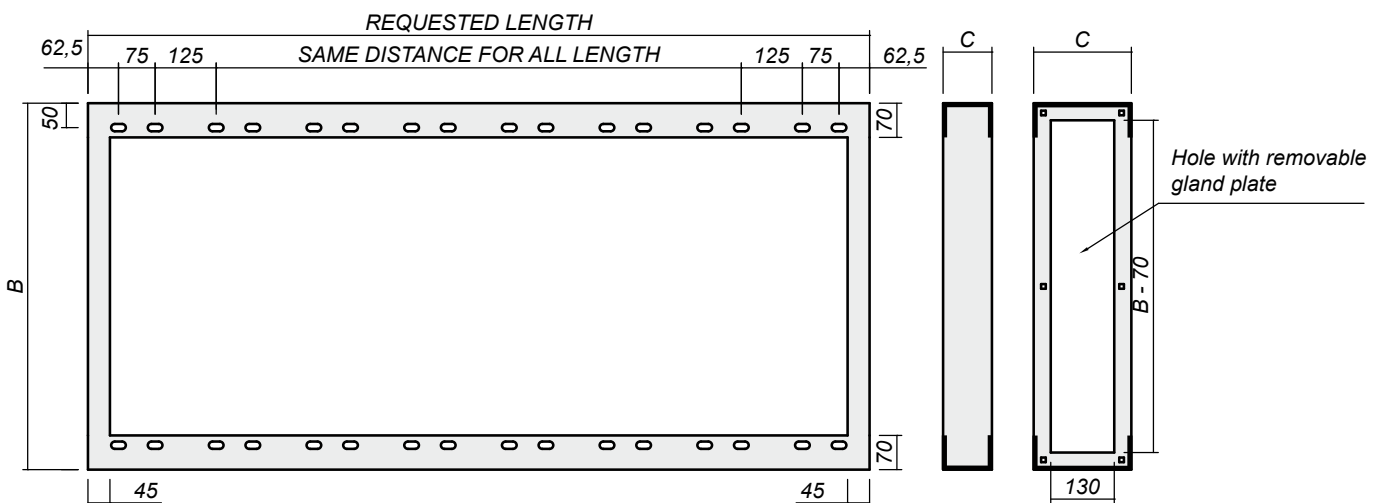
CQE Accessories



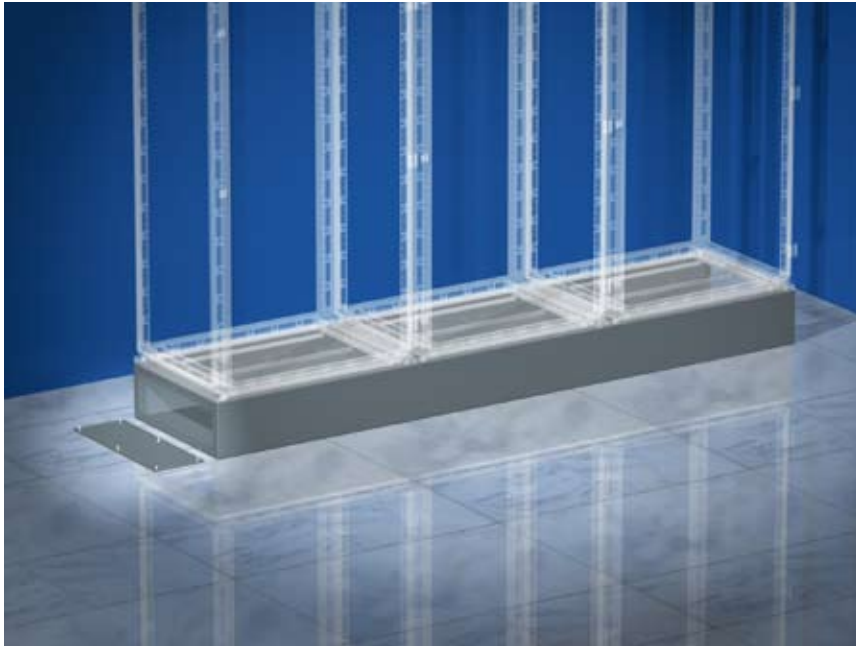
SECTION BASE

- Manufactured in “C” folded 3 mm steel sheet, painted with RAL 7011 textured finish.
- Supplied with lateral gland plates (only for height 200) and mounting screws.
- Your order should suggest the length.

Code	enclosure depth	base dimensions	
		depth B	height C
R1ZUE41	400	350	100
R1ZUE51	500	450	100
R1ZUE61	600	550	100
R1ZUE81	800	750	100
R1ZUE42	400	350	200
R1ZUE52	500	450	200
R1ZUE62	600	550	200
R1ZUE82	800	750	200



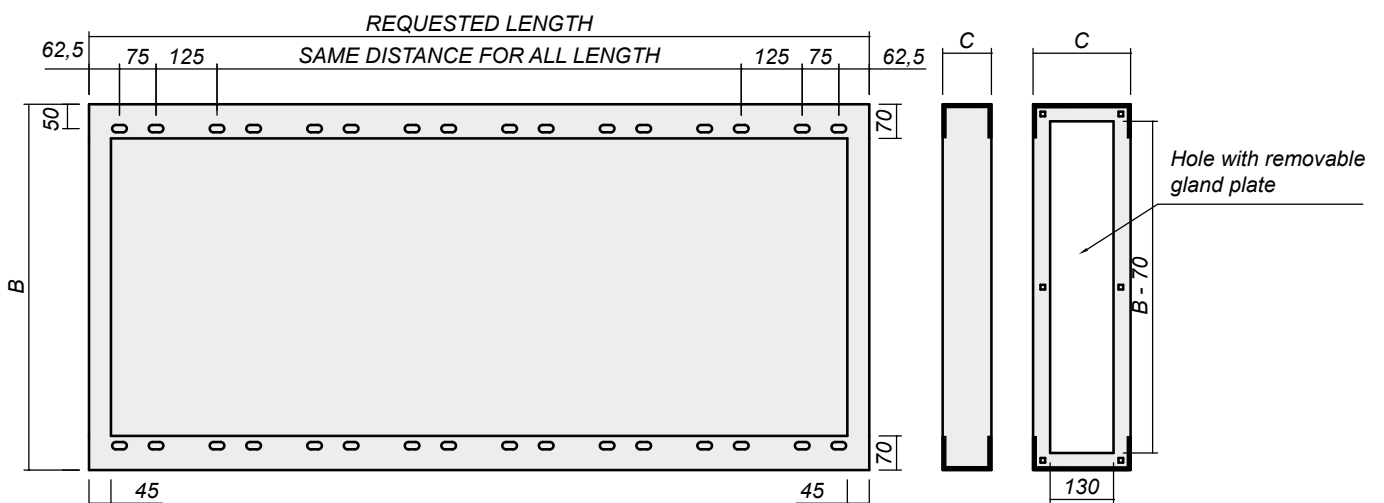
CQE Accessories



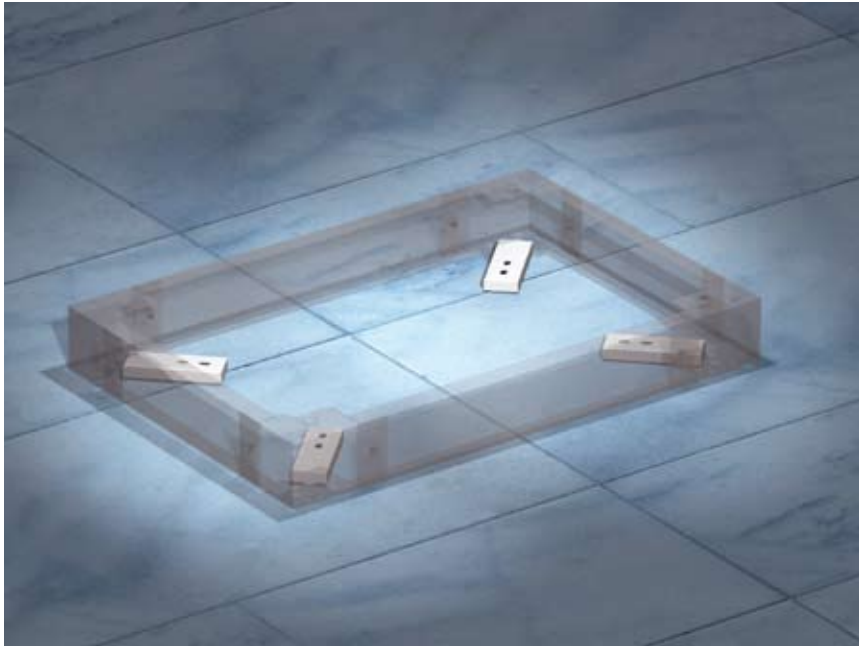
BASIN BASE

- Manufactured in 3 mm steel sheet and painted with RAL 7011 textured finish.
- Supplied with side gland plates (only for height 200) and mounting screws.
- Your order should suggest the length.

code	enclosure depth	plinth dimensions	
		depth B	height C
R1ZVE41	400	350	100
R1ZVE51	500	450	100
R1ZVE61	600	550	100
R1ZVE81	800	750	100
R1ZVE42	400	350	200
R1ZVE52	500	450	200
R1ZVE62	600	550	200
R1ZVE82	800	750	200



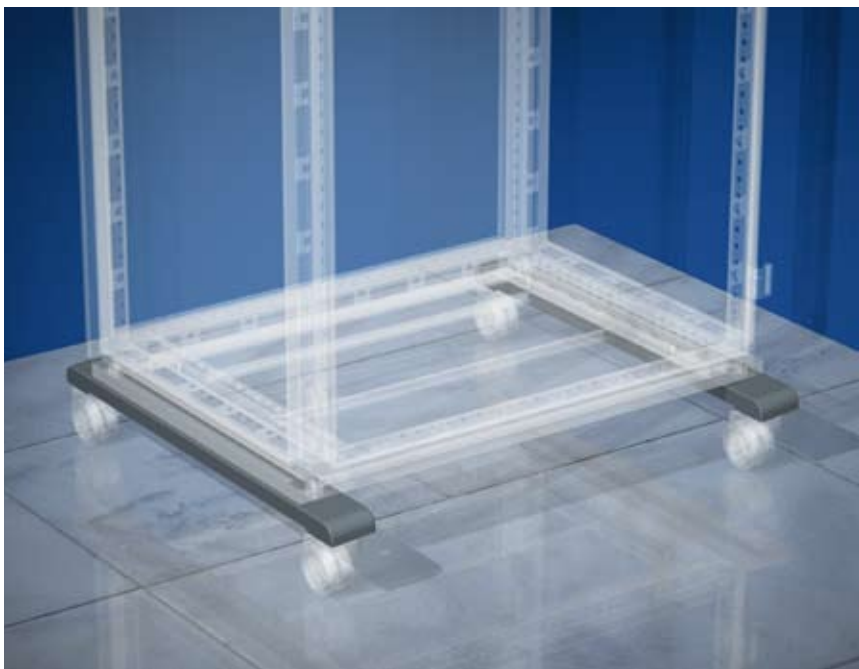
CQE Accessories



FLOOR FIXING KIT FOR BASE

item RZKFP01

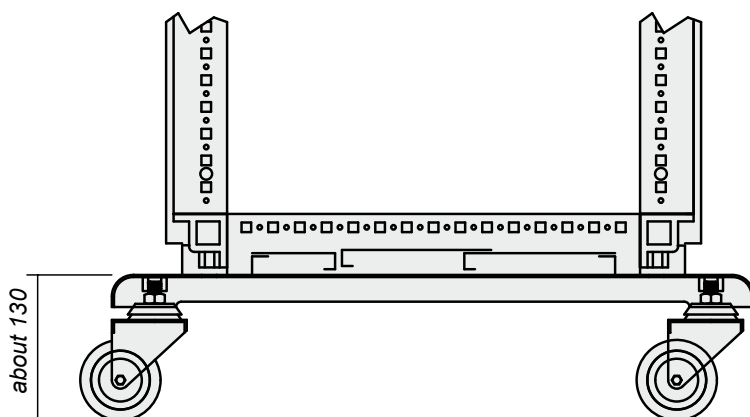
- Manufactured in 3 mm galvanized steel sheet.
- 4 pcs packaging.



MOBILE BASE

- Manufactured in 2 mm steel sheet and painted with RAL 7011 textured finish.
- 2 pcs packaging. Please order castor (item RZA41) separately.

Code	enclosure depth
R1A46	400
R1A47	500
R1A48	600
R1A49	800



CQE Accessories



TWIN CASTORS

item RZA41

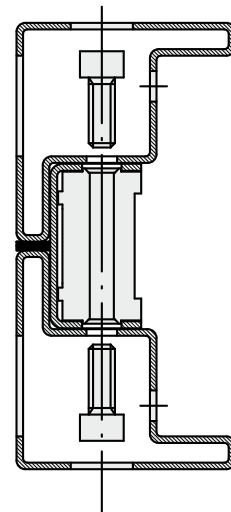
- Maximum static load: 80 kg for every single wheel.
- 4 pcs packaging (2 with brake and 2 without brake).



COMBINATION KIT

item RZKE65

- Packaging with 8 pcs, adhesive sealing gasket and all mounting screws.
- For very heavy enclosures, we advice to buy also our reinforcement flat combining kit (item RZKRE65) or "L" profile" combining kit (item RZKSRE65).

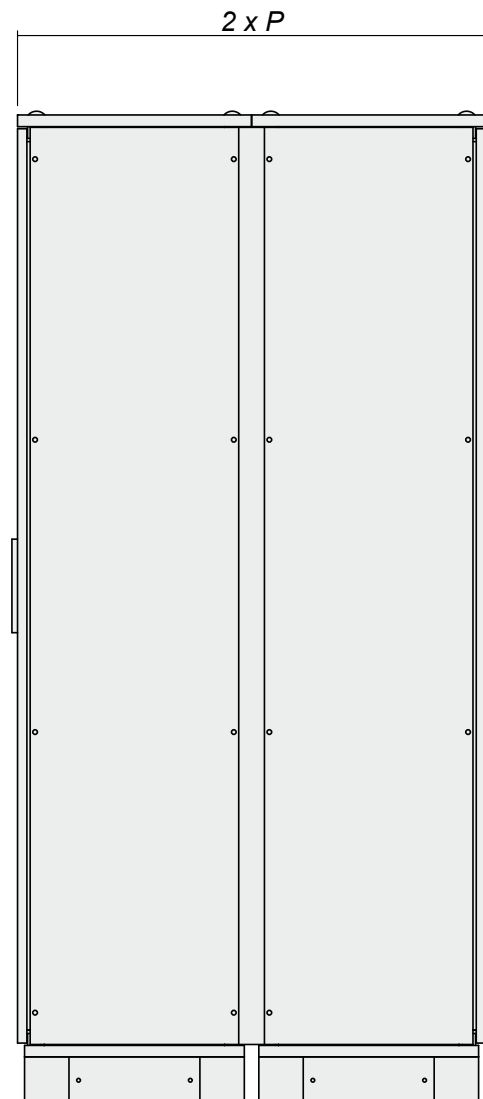


CQE Accessories



BACK-TO-BACK COMBINING KIT

- Through this special frame It is possible to combine two enclosures back-by-back preserving a degree of protection IP 55 according to EN 60529.
- Painted with RAL 7035 textured finish.
- Supplied with adhesive sealing gasket and mounting screw.



SECTIONAL CABINETS CQE

code	enclosure dimensions	
	height H	width L
R5KFRE1860	1800	600
R5KFRE1880	1800	800
R5KFRE18100	1800	1000
R5KFRE18120	1800	1200
R5KFRE2060	2000	600
R5KFRE2080	2000	800
R5KFRE20100	2000	1000
R5KFRE20120	2000	1200
R5KFRE2260	2200	600
R5KFRE2280	2200	800
R5KFRE22100	2200	1000
R5KFRE22120	2200	1200

CQE Accessories



BENT LIFTING CROSSBEAM

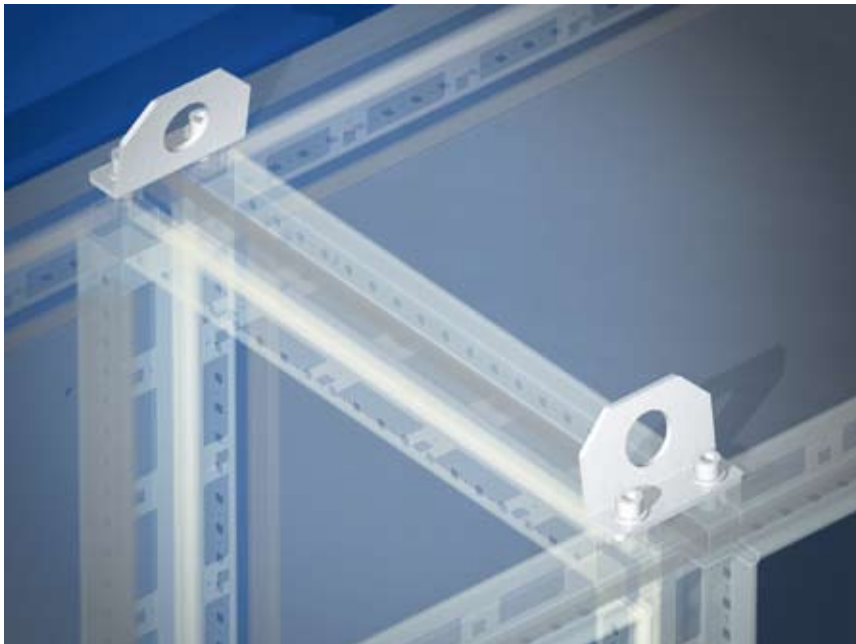
item R1TSE01

- Manufactured in 4 mm steel sheet and painted with RAL 7011.
- Your order should suggest the length.

HOT ROLLED STEEL SECTION LIFTING CROSSBEAM

item R1TSE03

- Dimensions of the section: 100 x 65 x 8.5 mm.
- Painted with RAL 7011.
- Your order should suggest the enclosure layout for drilling.



COMBINATION ANGLE

item RZTSE02

- Manufactured in 5 mm galvanized steel sheet.
- 2 pcs packaging with all mounting screw.

CQE Accessories



LIFTING EYEBOLTS

item RZA33

- 4 pcs packaging.



A series of horizontal dotted lines for writing, spanning the width of the page.

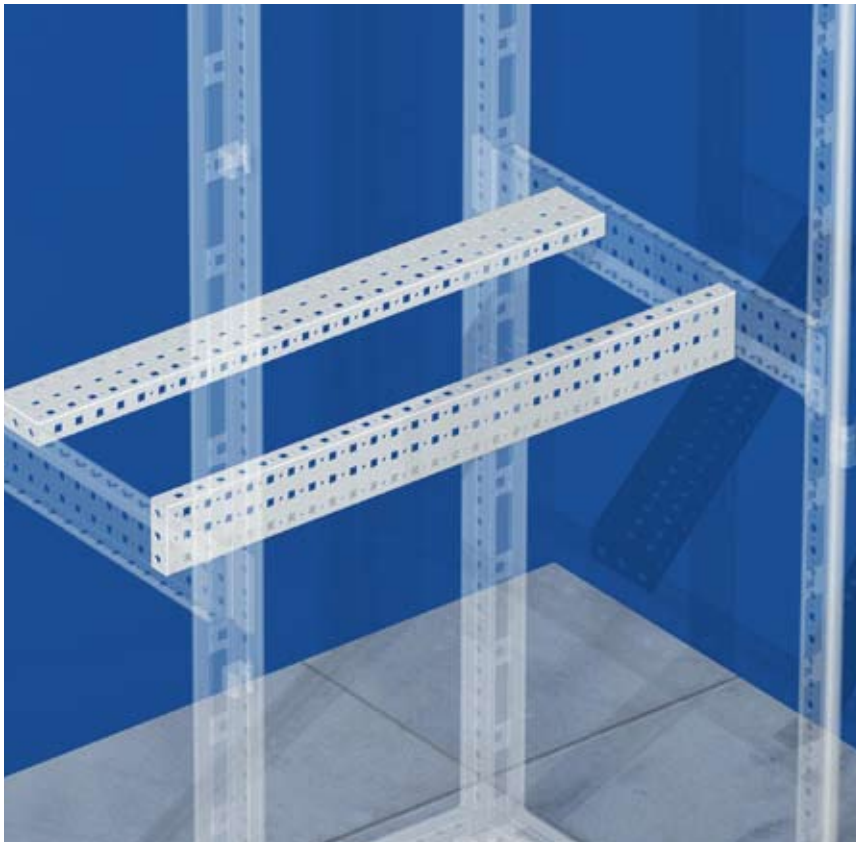
CQE Accessories



SIDE RAILS

- Manufactured in 1,5 mm galvanized steel sheet.
- Provided with 5 rows of holes spaced by 25 mm for a complete or partial device fixing system.
- Used in enclosures depth direction.
- The locking take place simply by hook up the rail to the mail frame and securing it by a pair of Parker screw.
- 4 pcs packaging with all mounting screw.

Code	enclosure depth
RZPDL400	400
RZPDL500	500
RZPDL600	600
RZPDL800	800

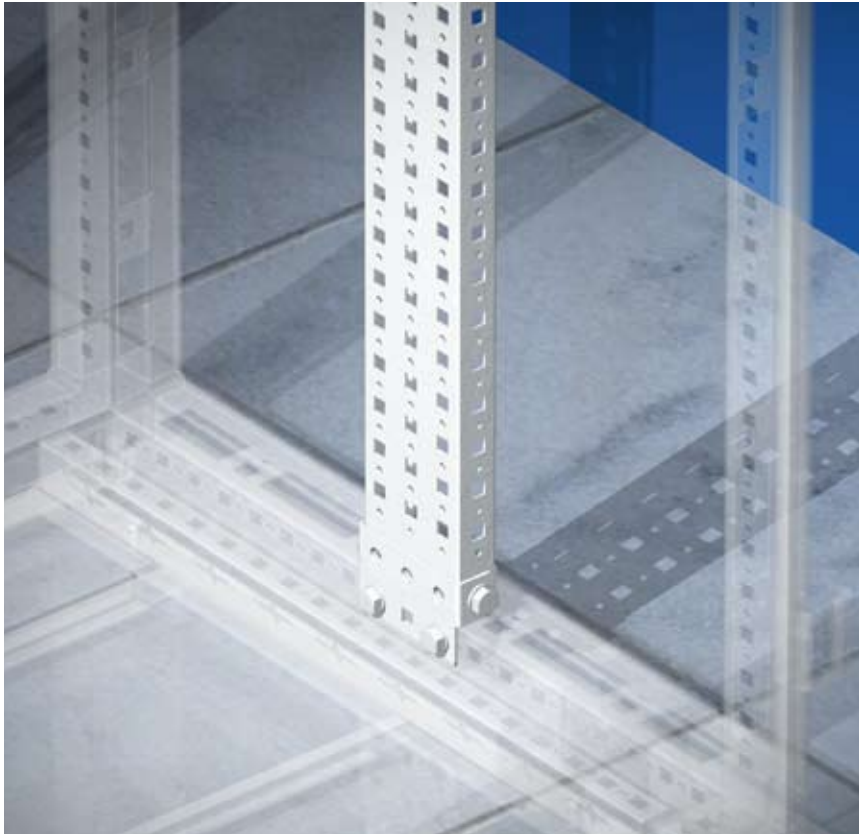


FRONT RAILS

- Manufactured in 1,5 mm galvanized steel sheet.
- Provided with 5 rows of holes spaced by 25 mm for a complete or partial device fixing system.
- The locking can take place directly in the front side of the enclosure or in depth every 25 mm using our side rails (item RZPDL) as bracket.
- 4 pcs packaging with all mounting screw.

Code	enclosure width
RZPDF400	400
RZPDF600	600
RZPDF800	800
RZPDF1000	1000
RZPDF1200	1200
RZPDF1400	1400
RZPDF1600	1600

CQE Accessories



VERTICAL RAILS

- Manufactured in 1,5 mm galvanized steel sheet.
- Provided with 5 rows of holes spaced by 25 mm for a complete or partial device fixing system.
- Mounted vertically to the frame and fixed in depth every 25mm.
- 2 pcs packaging with all mounting screw.

Code	enclosure height
RZPDV14	1400
RZPDV16	1600
RZPDV18	1800
RZPDV20	2000
RZPDV22	2200



LATERAL CROSSRAIL H 30mm

- Manufactured from 1,5 mm galvanized steel sheet.
- Provided with a row of holes spaced by 25 mm.
- The locking takes place simply by hooking up the rail to the main frame and securing it by a pair of Parker screws.
- 4 pcs packaging with all mounting screw.

Code	enclosure depth
RZTLE400	400
RZTLE500	500
RZTLE600	600
RZTLE800	800

CQE Accessories



INTERNAL CROSSRAIL H 30mm

- Manufactured in 1,5 mm galvanized steel sheet.
- Provided with a row of holes every 25 mm.
- To be used in presence of these items:
 - internal door (item R5PIE)
 - rack frame (item R5MRE and R5MRCE)
- 4 pcs packaging with all mounting screw.

Code	enclosure depth
RZPLE400	400
RZPLE500	500
RZPLE600	600
RZPLE800	800

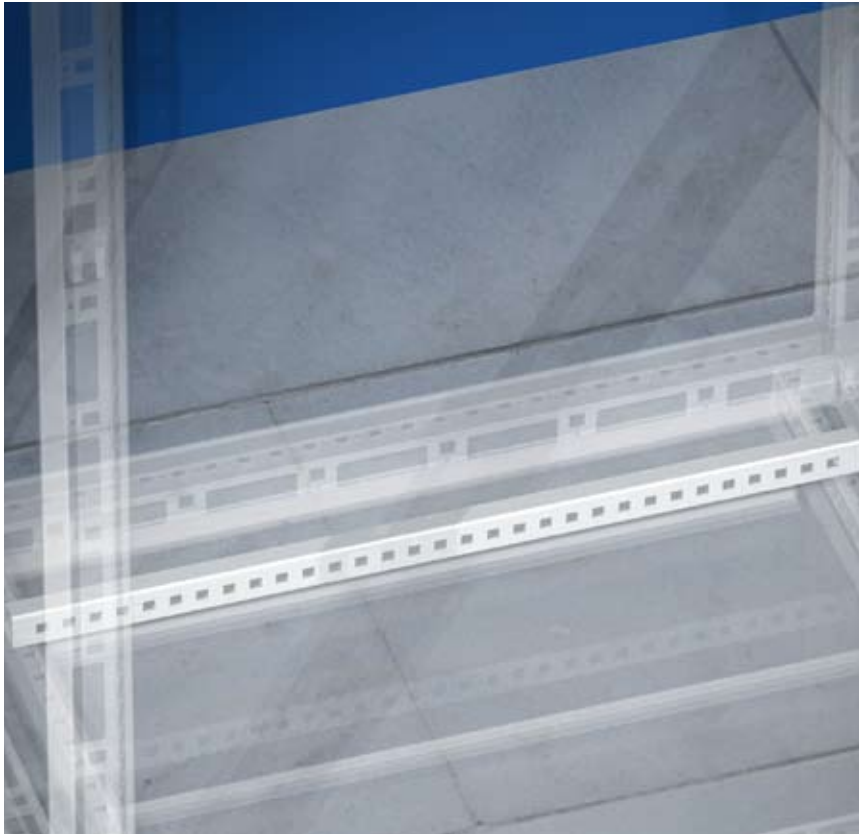


FRONTAL CROSSRAIL H 30mm

- Manufactured in 1,5 mm galvanized steel sheet.
- Provided with 3 rows of holes every 25 mm.
- The locking can take place directly in the front side of the enclosure or in depth every 25 mm by using our side crossrails (item RZTLE) as bracket.
- 4 pcs packaging with all mounting screw.

Code	enclosure width
RZTFE400	400
RZTFE600	600
RZTFE800	800
RZTFE1000	1000
RZTFE1200	1200
RZTFE1400	1400
RZTFE1600	1600

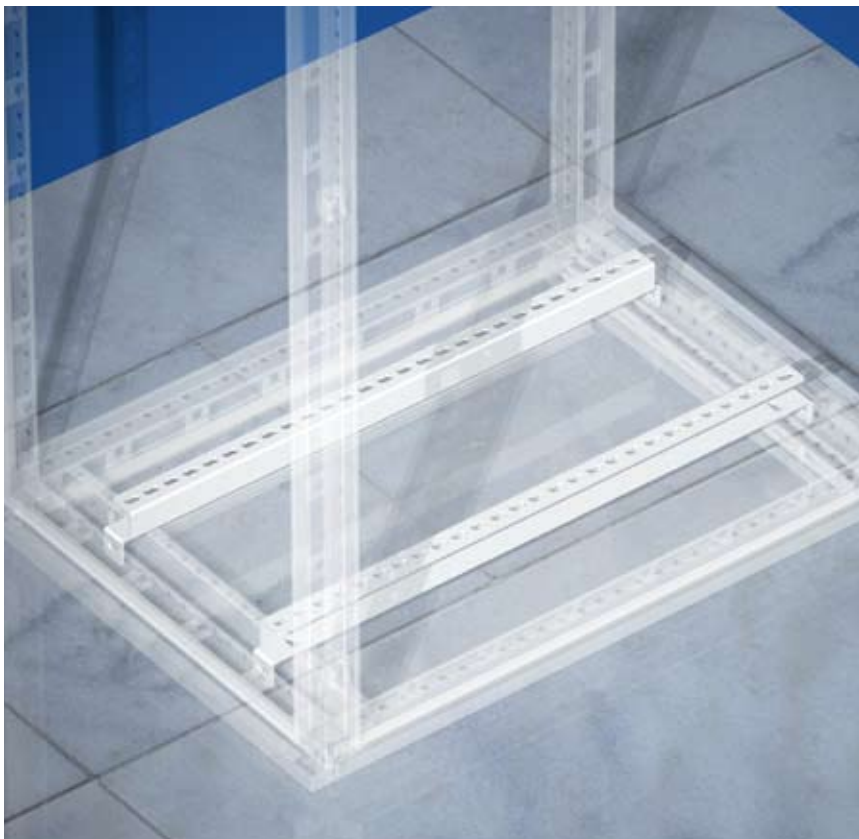
CQE Accessories



RAIL FOR CABLE FIXING

- Manufactured in 2 mm galvanized steel sheet.
- Allows the wire fixing through clamps and/or other fixing ways.
- Adjustable in depth every 25 mm.
- 2 pcs packaging with all mounting screws.

Code	enclosure width
RZPAC40	400
RZPAC60	600
RZPAC80	800
RZPAC100	1000
RZPAC120	1200
RZPAC140	1400
RZPAC160	1600



TRANSFORMER-HOLDER

- Manufactured in 3 mm galvanized steel sheet.
- Couple of support manufactured in folded galvanized steel sheet with fixing eyelet.
- 2 pcs packaging with all mounting screws.

Code	enclosure width
RZTTE600	600
RZTTE800	800
RZTTE1000	1000
RZTTE1200	1200
RZTTE1400	1400
RZTTE1600	1600

CQE Accessories



WORKING DESK

- Manufactured from 1,5 mm steel sheet, painted with RAL 7035 textured finish.
- Suitable for holding all types of programming devices or as simple tool post during maintenance.
- 1 pcs packaging with all mounting screws.

Code	Door depth
R5RL600	600
R5RL800	800
R5RL1000	1000

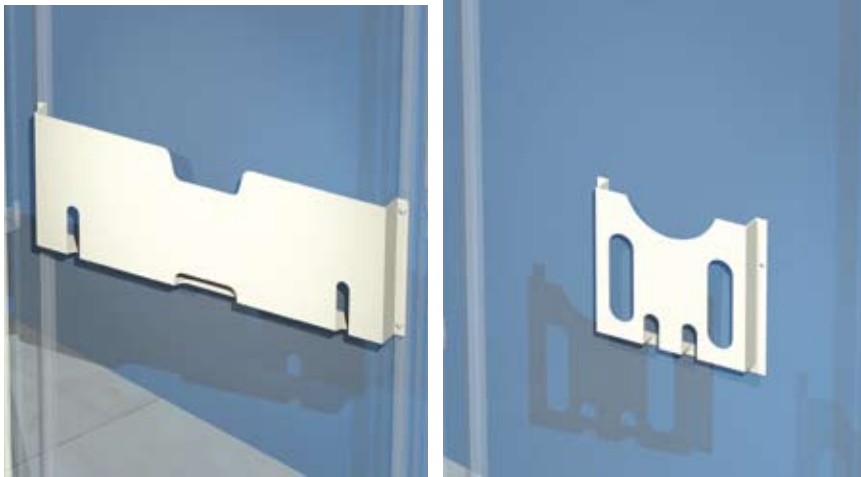


DESK SECTION

- Manufactured in 1,5 mm steel sheet, painted with RAL 7035 textured finish.
- Door manufactured in 2 mm steel sheet, painted with RAL 7035 textured finish.
- Useful both in presence of sectional doors or fixed directly on a blind door.

code	enclosure width	desk section dimensions		
		height	width	depth
R5LE600	600	170	500	400
R5LE800	800	170	700	400
R5LE1000	1000	170	900	400
R5LE1200	1200	170	1100	400

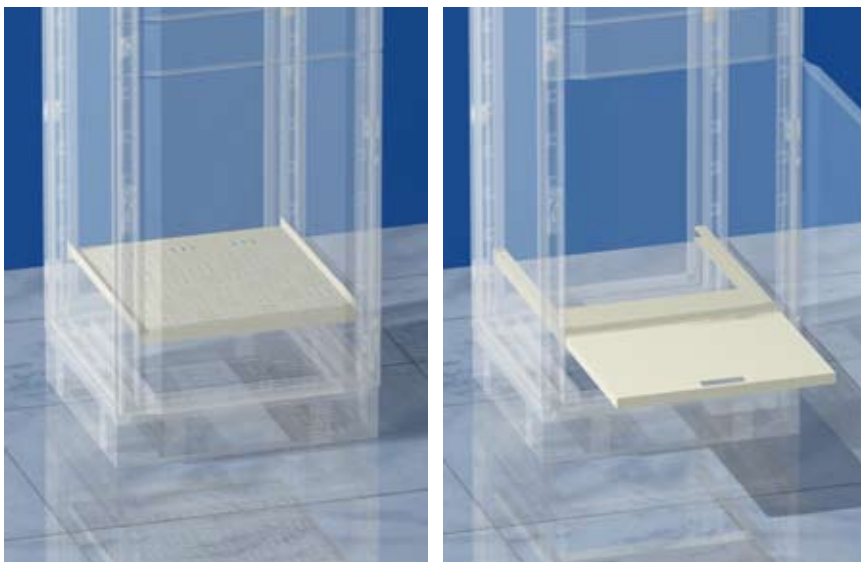
CQE Accessories



PLAN-HOLDING POCKETS

- Manufactured in two versions, plastic or steel. Color RAL 7035.

Code	door width	Stuff
R5TE50	500	steel 15/10
R5TE60	600	steel 15/10
R5TE70	700	steel 15/10
R5TE80	800	steel 15/10
R5TE100	1000	steel 15/10
RPA32	any	plastic



FIX AND PULL-OUT SHELF

- Manufactured in 1,5 mm steel sheet, painted with RAL 7035 textured finish.
- Suitable for supporting the PC and other hardware peripherals.

CAPACITY

Fix desk: Kg 60

Pull-out desk: Kg 30

fix desk code	enclosure dim.	
	width	depth
R5RF440	400	400
R5RF460	400	600
R5RF640	600	400
R5RF660	600	600
R5RF840	800	400
R5RF860	800	600
R5RF1040	1000	400
R5RF1060	1000	600

fix desk code	enclosure dim.	
	width	depth
R5RF450	400	500
R5RF480	400	800
R5RF650	600	500
R5RF680	600	800
R5RF850	800	500
R5RF880	800	800
R5RF1050	1000	500
R5RF1080	1000	800

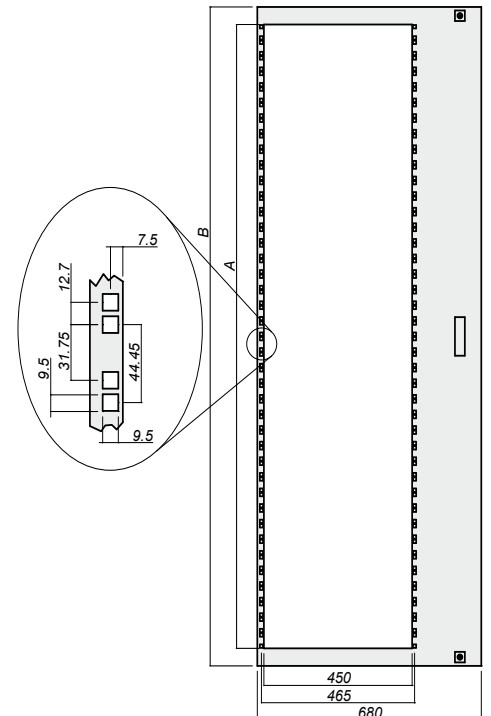
pull-out desk code	enclosure dim.	
	width	depth
R5RE640	600	400
R5RE650	600	500
R5RE660	600	600
R5RE680	600	800
R5RE840	800	400
R5RE850	800	500
R5RE860	800	600
R5RE880	800	800

CQE Accessories



19" RACK FRAME TOTAL- WIDTH 800

- Manufactured in 1,5 mm steel sheet with 2 mm tubular crossbeam.
- Painted with RAL 7035 textured finish.
- Two locking points with Ø 3 mm double-comb insert.
- Frame opening angle 180°.
- Supplied with all mounting accessories.
- Max drawer depth: 420 mm.
- Distance between frame and door: 80 mm.



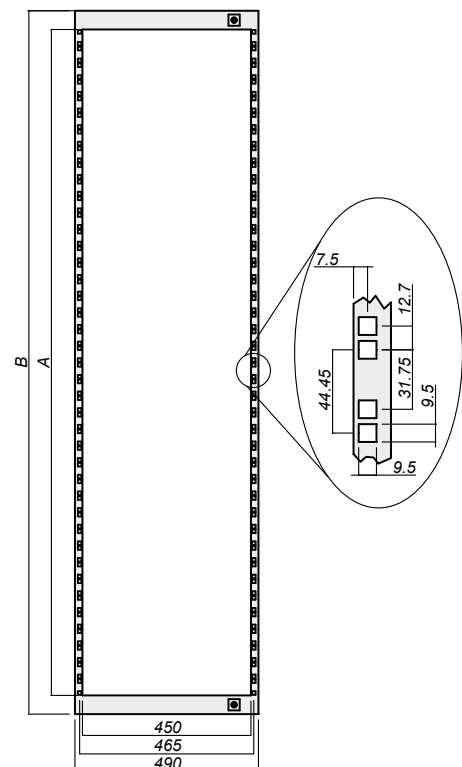
Code	enclosure height	rack frame dimension		
		A	B	n° HE
R5TIE1680	1600	1378	1458	31
R5TIE1880	1800	1578	1658	35
R5TIE2080	2000	1778	1858	40
R5TIE2280	2200	1978	2058	44

CQE Accessories



19" RACK FRAME TOTAL- WIDTH 600

- Manufactured in 1,5 mm steel sheet with 2 mm tubular crossbeam.
- Painted with RAL 7035 textured finish.
- Two locking points with Ø 3 mm double-comb insert.
- Frame opening angle 130°.
- Supplied with all mounting accessories.
- Max drawer depth: 185 mm.
- Distance between frame and door: 80 mm.



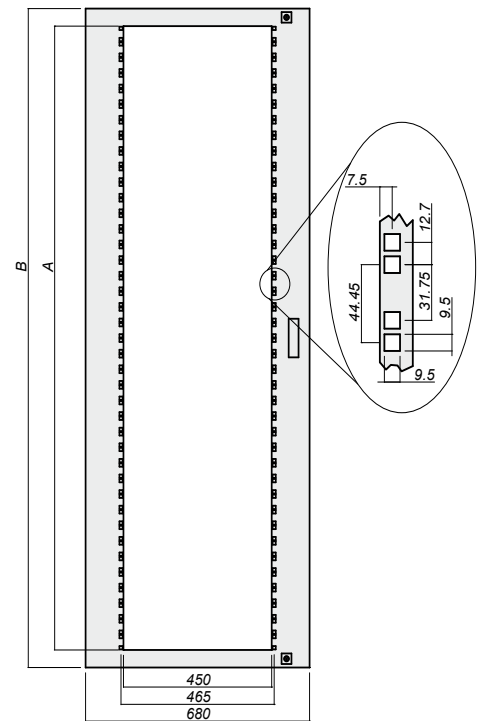
Code	enclosure height	rack frame dimensions		
		A	B	n° HE
R5TIE1660	1600	1378	1458	31
R5TIE1860	1800	1578	1658	35
R5TIE2060	2000	1778	1858	40
R5TIE2260	2200	1978	2058	44

CQE Accessories



19" RACK FRAME TOTAL CENTERED- WIDTH 800

- Manufactured in 1,5 mm steel sheet with 2 mm tubular crossbeam.
- Painted with RAL 7035 textured finish.
- Two locking points with Ø 3 mm double-comb insert.
- Frame opening angle 180°.
- Supplied with all mounting accessories.
- Max drawer depth: 320 mm.
- Distance between frame and door: 80 mm.



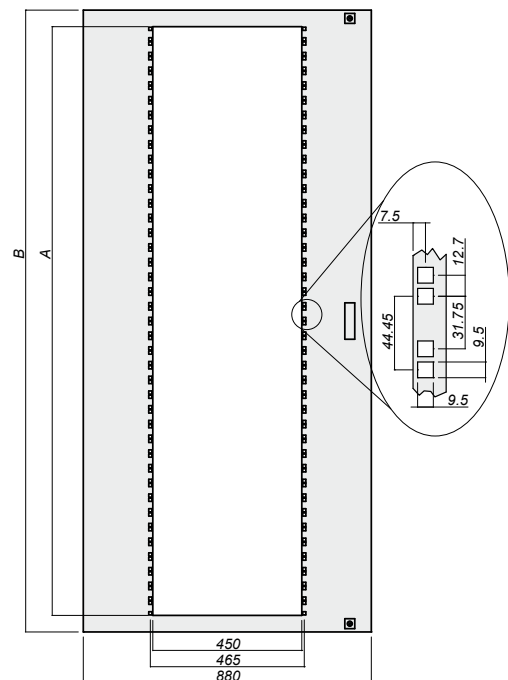
Code	enclosure height	rack frame dimensions		
		A	B	n° HE
R5TIEC1680	1600	1378	1458	31
R5TIEC1880	1800	1578	1658	35
R5TIEC2080	2000	1778	1858	40
R5TIEC2280	2200	1978	2058	44

CQE Accessories



19" RACK FRAME TOTAL- WIDTH 1000

- Manufactured in 1,5 mm steel sheet with 2 mm tubular crossbeam.
- Painted with RAL 7035 textured finish.
- Two locking points with Ø 3 mm double-comb insert.
- Frame opening angle 180°.
- Supplied with all mounting accessories.
- Max drawer depth: 530 mm.
- Distance between frame and door: 80 mm.



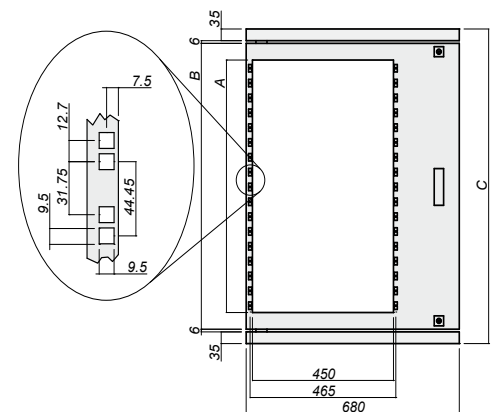
Code	enclosure height	rack frame dimensions		
		A	B	n° HE
R5TIE16100	1600	1378	1458	31
R5TIE18100	1800	1578	1658	35
R5TIE20100	2000	1778	1858	40
R5TIE22100	2200	1978	2058	44

CQE Accessories



19" RACK FRAME PARTIAL - WIDTH 800

- Manufactured in 1,5 mm steel sheet with 2 mm tubular crossbeam.
- Painted with RAL 7035 textured finish.
- Two locking points with \varnothing 3 mm double-comb insert.
- Frame opening angle 180° .
- Supplied with all mounting accessories.
- Max drawer depth: 420 mm.
- Distance between frame and door: 80 mm.
- To fix the frame onto the enclosure, add a package of side DIN rail (item RZPDL) to your order. Make sure they match the enclosure depth.



Code	rack frame dimensions			N° HE
	A	B	C	
R5TIEP6	270	350	432	6
R5TIEP9	403	483	565	9
R5TIEP12	536,5	616,5	698,5	12
R5TIEP16	713	793	875	16
R5TIEP18	803	883	965	18

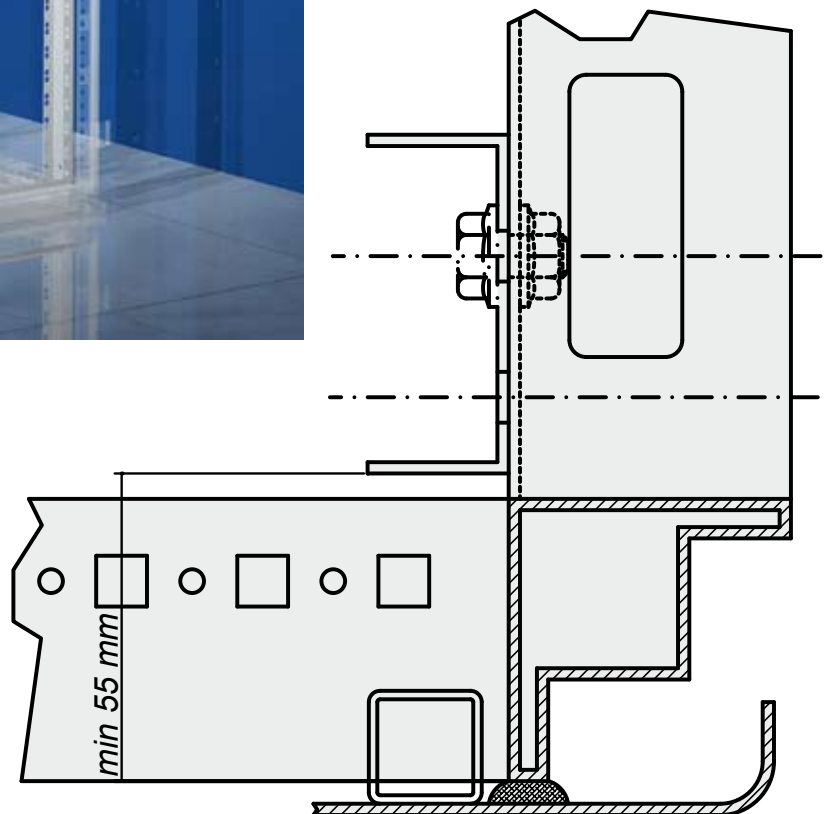
CQE Accessories



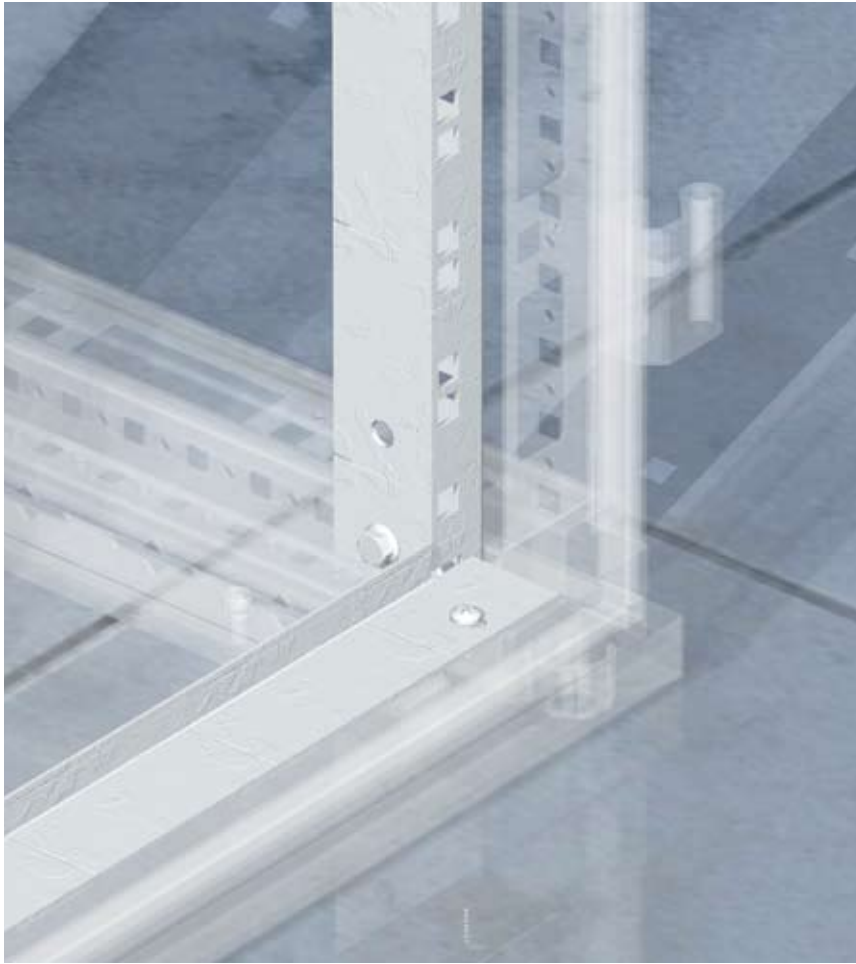
FRAME 19" "C" SHAPED VERTICAL RACK

- Manufactured in 2 mm galvanized steel sheet.
- 2 pcs packaging with all mounting accessories.

Code	enclosure height	N° HE
R5MRCE14	1400	29
R5MRCE16	1600	33
R5MRCE18	1800	38
R5MRCE20	2000	42
R5MRCE22	2200	47



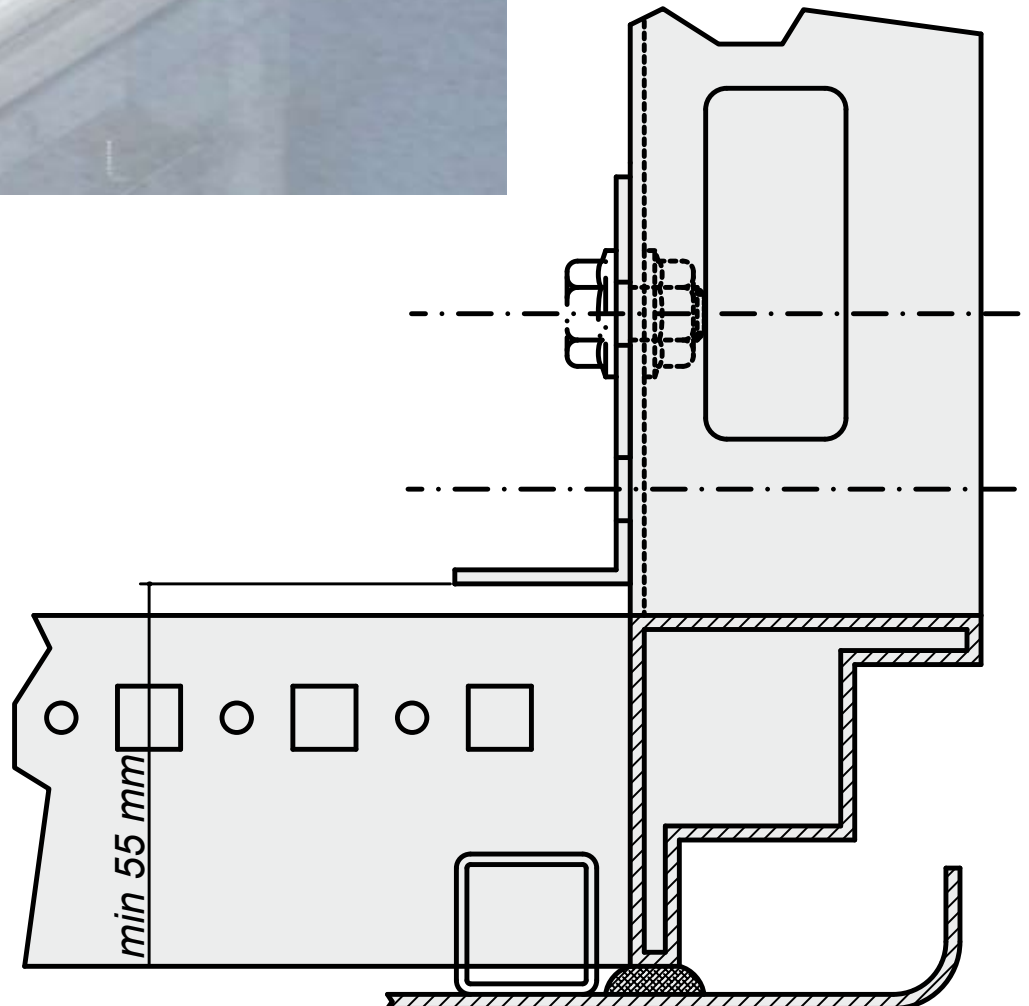
CQE Accessories



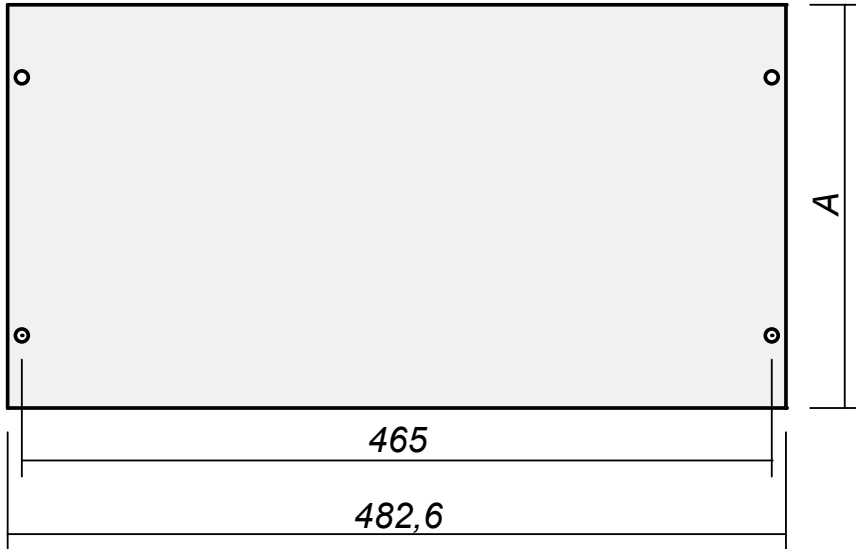
FRAME 19" "L" SHAPED VERTICAL RACK

- Manufactured in 2 mm galvanized steel sheet.
- 2 pcs packaging with all mounting accessories.

Code	enclosure height	N° HE
R5MRE14	1400	29
R5MRE16	1600	33
R5MRE18	1800	38
R5MRE20	2000	42
R5MRE22	2200	47



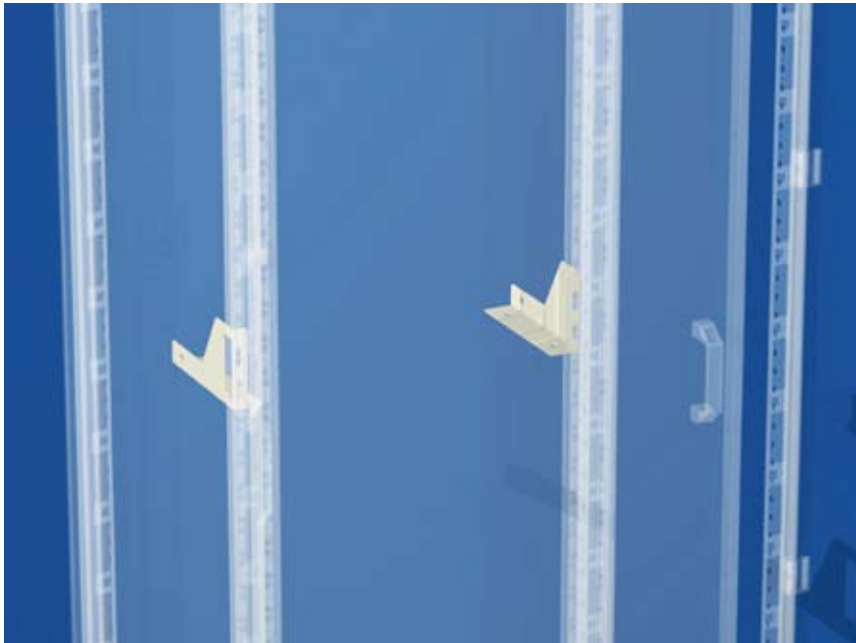
CQE Accessories



19" RACK PANEL

- Manufactured in 2 mm steel sheet, painted with RAL 7035 textured finish.
- 1 pcs packaging with all mounting accessories.

Code	A	N° HE
R5PRK1	43,6	1
R5PRK2	88	2
R5PRK3	132,5	3
R5PRK4	177	4
R5PRK5	221,5	5
R5PRK6	266	6
R5PRK7	310,5	7
R5PRK8	355	8
R5PRK9	399	9
R5PRK10	443,5	10
R5PRK11	488	11
R5PRK12	532,5	12

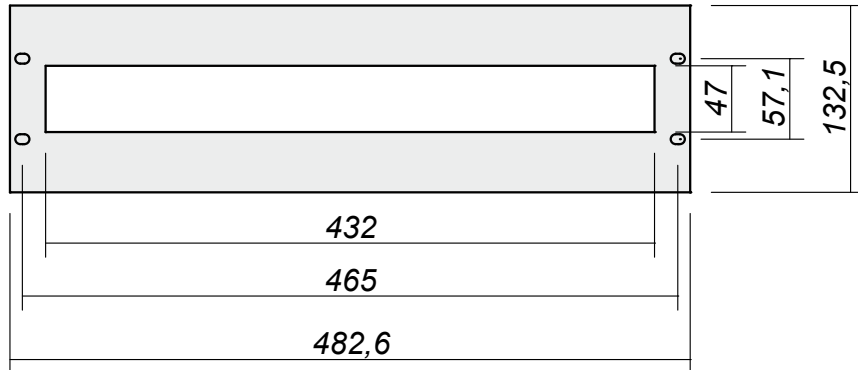


SUPPORT FOR RACK DEVICES

cod. R5SCRK01

- Manufactured in 1,5 mm steel sheet, painted with RAL 7035 textured finish.
- 1 couple package with all mounting accessories.

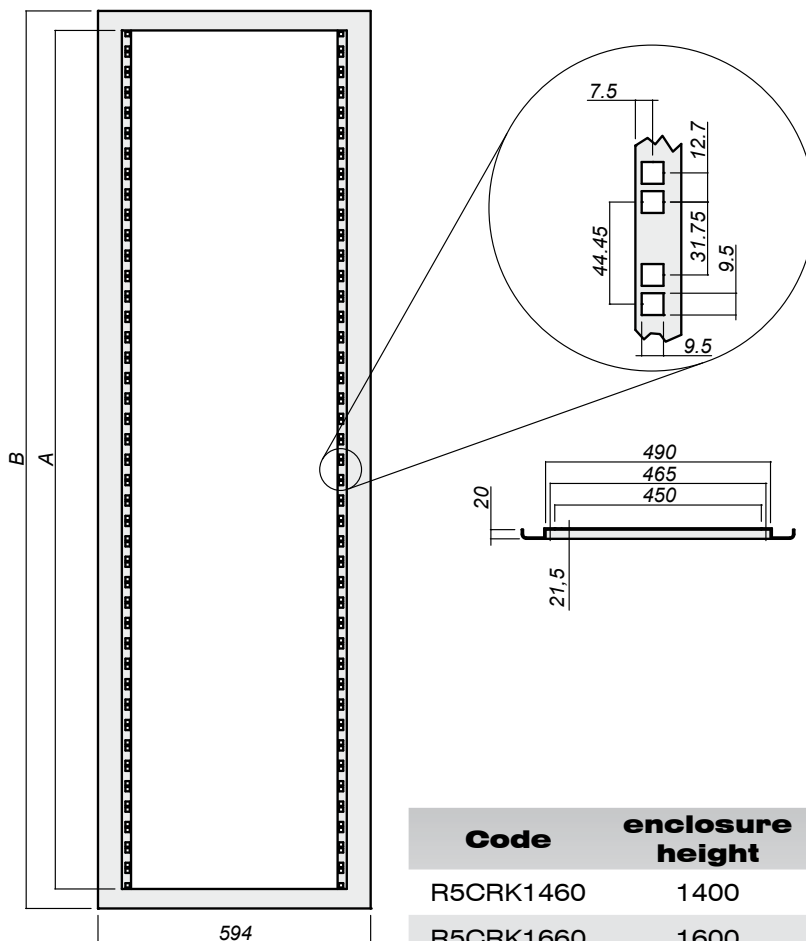
CQE Accessories



19" FRONT CLOSING PANEL WITH DIN SLOT

cod. R5PCDF01

- Manufactured in 1,5 mm steel sheet, painted with RAL 7035 textured finish.
- As many as 24 DIN modules equivalent to a height of three units can be mounted.
- 1 pcs package including all mounting accessories.
- Supplied with DIN rail.

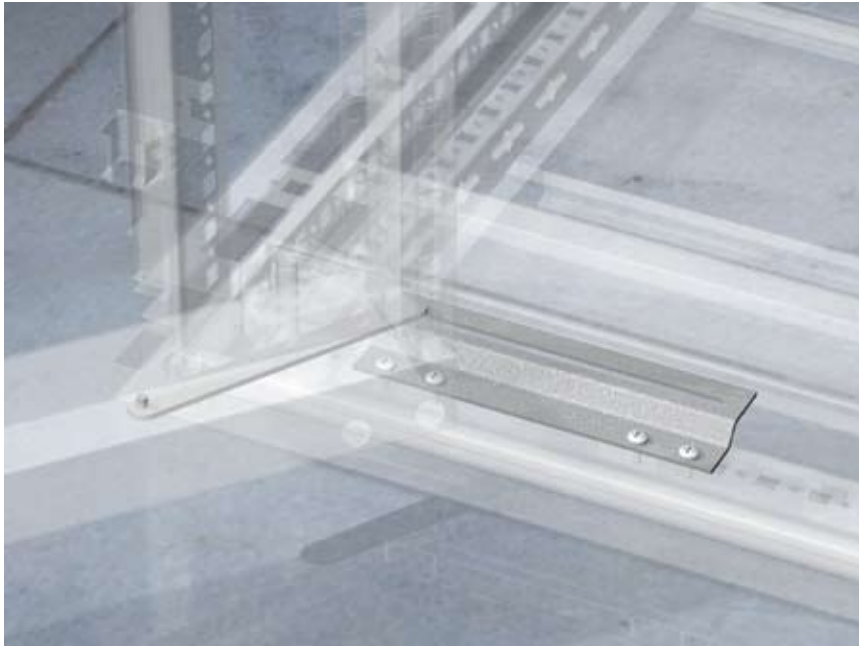


BACK RACK FRAME

- Manufactured in 1,5 mm steel sheet, painted with RAL 7035 textured finish.
- Suitable for 600 mm width enclosures.
- 1 pcs package including all mounting accessories and screws.

Code	enclosure height	A	B	N° HE
R5CRK1460	1400	1247.5	1355	28
R5CRK1660	1600	1470	1555	33
R5CRK1860	1800	1647.5	1755	37
R5CRK2060	2000	1870	1955	42
R5CRK2260	2200	2047.5	2155	46

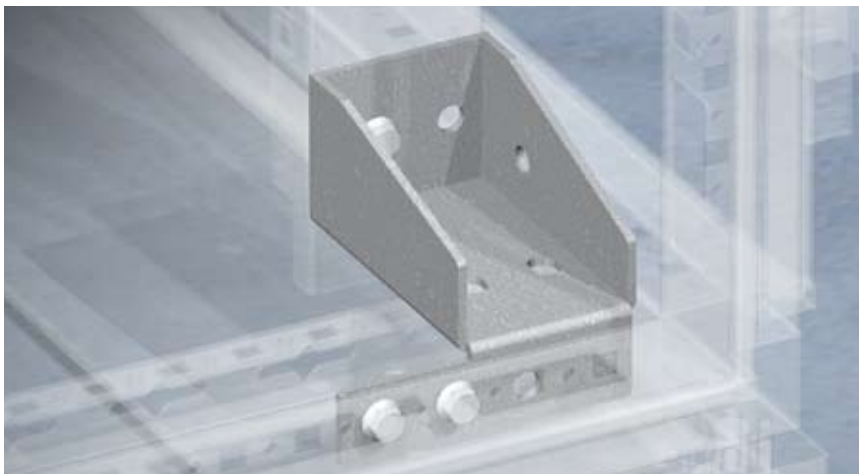
CQE Accessories



RACK FRAME STOP

cod. RZAE03

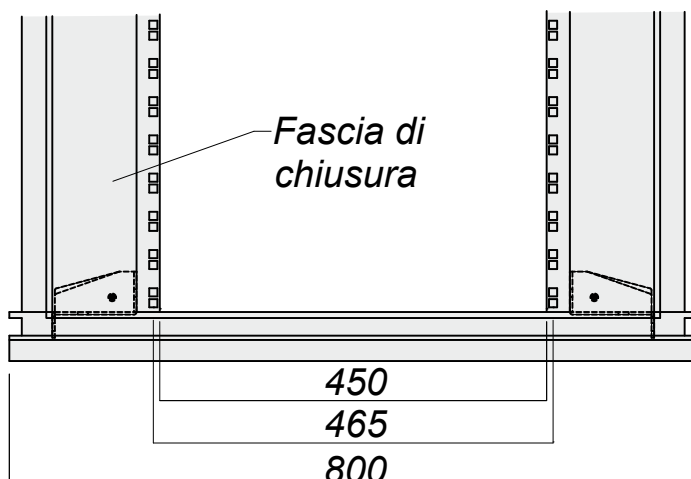
- Manufactured in galvanized steel sheet.
- Opening angle range: from 90° to 130°.
- 1 pcs package including all mounting accessories and screws.



FIXING DEVICES FOR VERTICAL FRAME RACK

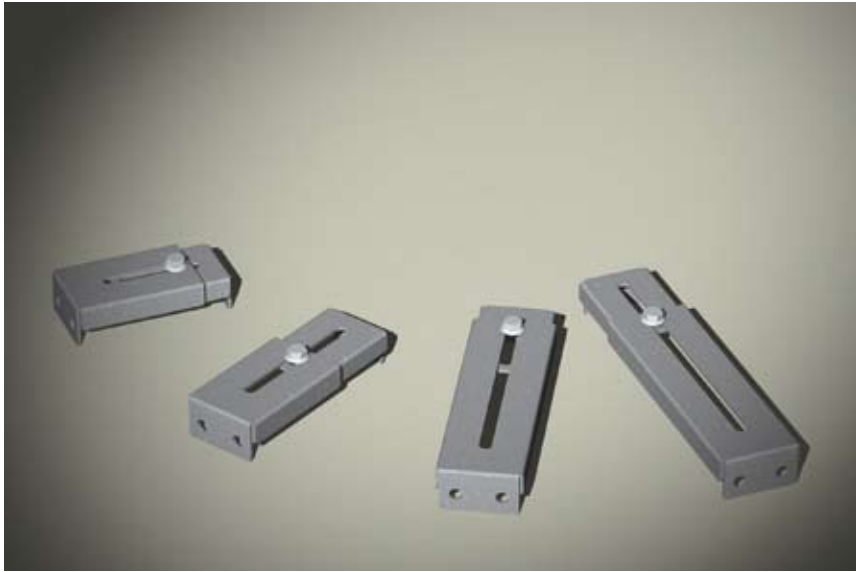
cod. R5SFMR01

- Manufactured in 3 mm steel sheet painted with RAL 7035 textured finish.
- Suitable for fixing our MRE and MRCE frame rack to enclosures with 800 mm width.
- 4 pcs package including all mounting accessories and screws.
- Available “on application” two vertical plate 100 mm width to close the space between the enclosure frame and the rack frame.



Code	enclosure height
R5FRV18	1800
R5FRV20	2000
R5FRV22	2200

CQE Accessories



REGULATION DEVICE

- Manufactured from 2 mm galvanized steel sheet.
- 2 pcs packaging.

Code	Range
RZSRP01	75 ÷ 125 mm
RZSRP02	150 ÷ 200 mm



MOUNTING PLATE SUPPORTING KIT

item RZAE05

- Manufactured in galvanized steel sheet.
- It's possible to fix it both to the middle or to the top of the mounting plate using the holes already present in the mounting plate.
- In case of fixing to the middle position, you need also our side crossrail H 30 (item RZTLE).



ASSEMBLE KIT FOR MOUNTING PLATE

item RAAE07

- Accessory for the assemble of mounting place (RZPCE).
- Accessory included in the supply of mounting plate.
- Can be ordered separately.

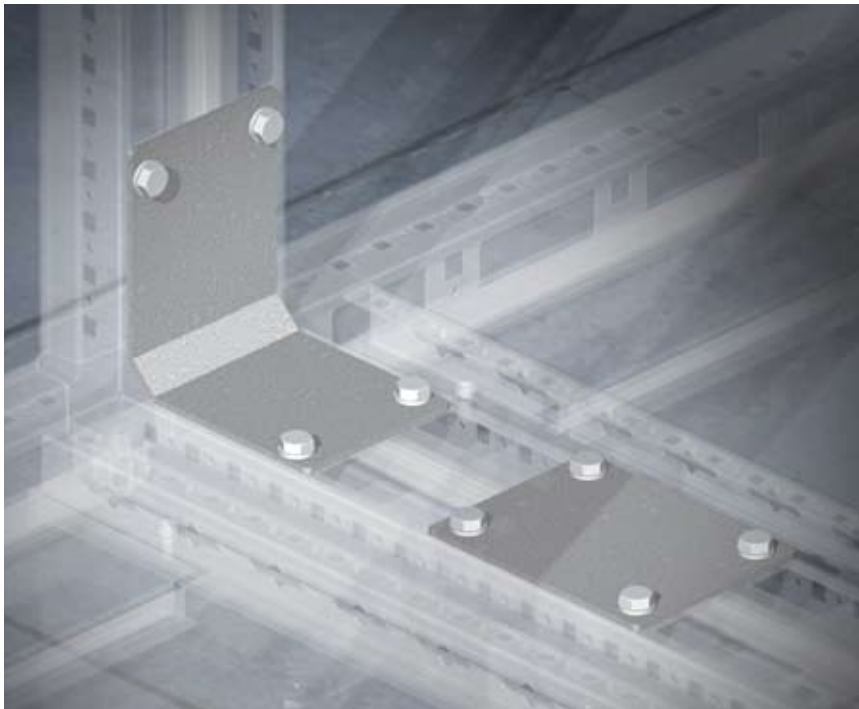
CQE Accessories



MOUNTING PLATE BACK MOVING KIT

item RZAE06

- Manufactured in 3 mm galvanized steel sheet.
- 2 pcs packaging with all mounting screws and accessories.



"L" SHAPED COMBINING KIT

item RZKSRE65

- Manufactured in 3 mm galvanized steel sheet.
- 4 pcs packaging with all mounting screws and accessories.

FLAT COMBINING KIT

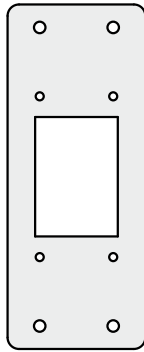
item RZKRE65

- Manufactured in 3 mm galvanized steel sheet.
- 4 pcs packaging with all mounting screws and accessories.

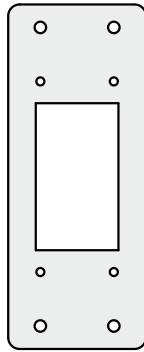
CQE Accessories



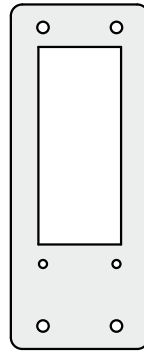
RZAD2400
solid plate



RZAD2406
plate 24 → 6 pole



RZAD2410
plate 24 → 10 pole



RZAD2416
plate 24 → 16 pole

ADAPTER FOR PUNCHED PANEL CONNECTOR

- Manufactured in 2 mm galvanized steel sheet.
- 4 pcs packaging with all mounting accessories.

Code	Adapter
RZAD2400	blank plate
RZAD2406	24→6 poles
RZAD2410	24→10 poles
RZAD2416	24→16 poles



FIXING KIT EYELET + EYELET

item RZA05

- Manufactured in 4 mm galvanized steel sheet.
- 10 pcs packaging.

FIXING KIT EYELET + M8 THREAD

item RZA06

- Manufactured in 4 mm galvanized steel sheet.
- 10 pcs packaging.

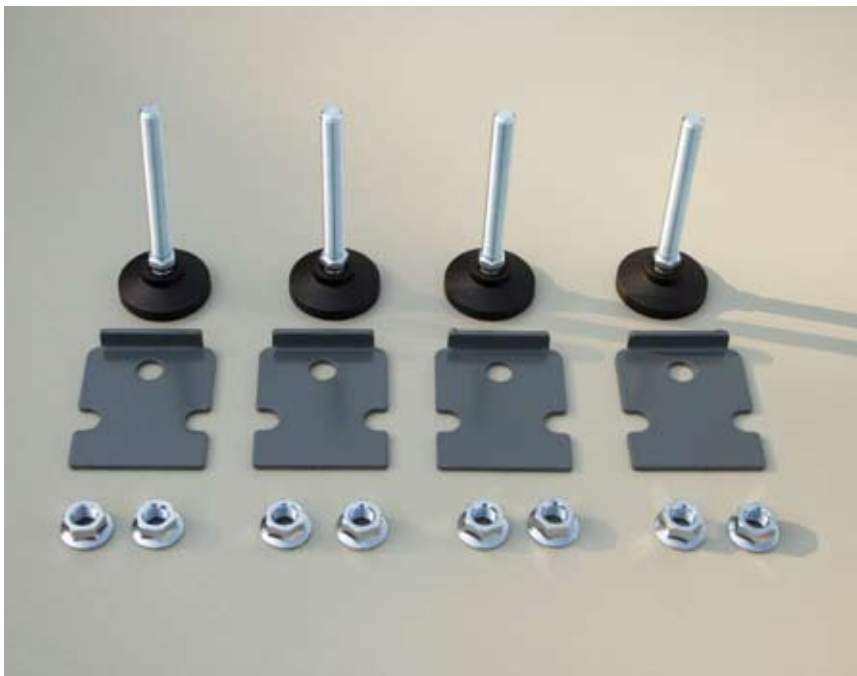
CQE Accessories



LEVELLING KIT 0 ÷ 50 mm

item RAA45

- Thread M12x50 mm.
- Suitable for compensating the floor unevenness.
- 4 pcs package.

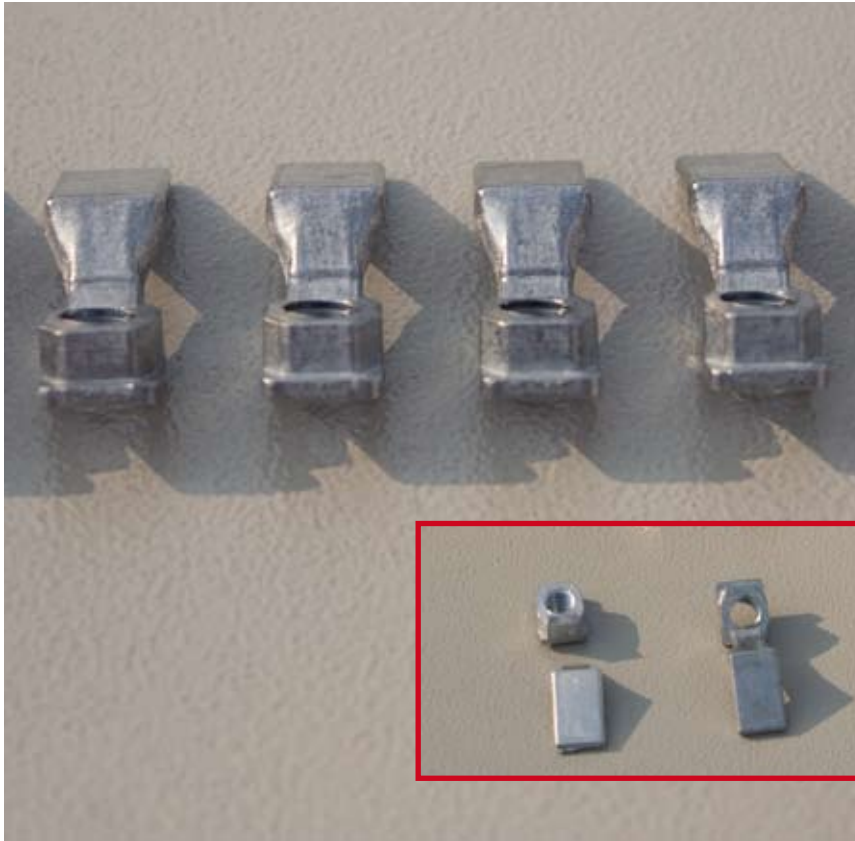


LEVELLING KIT 50 ÷ 100 mm

item RAA53

- Thread M12x100 mm.
- Suitable for compensating the floor unevenness.
- 4 pcs package with support plate and mounting screws.

CQE Accessories



SPECIAL NUTS M6 and M8

- Manufactured in die-cast zinc alloy.
- Shearable tab.
- Suggested when you need to lock up a screw in an uncomfortable place.
- 50 pcs packaging.

Code	thread size
RAA51	M6
RAA52	M8



PARKER SCREW M4.8 x 12

item RAA07

- Manufactured in white galvanized steel.
- 50 pcs packaging.

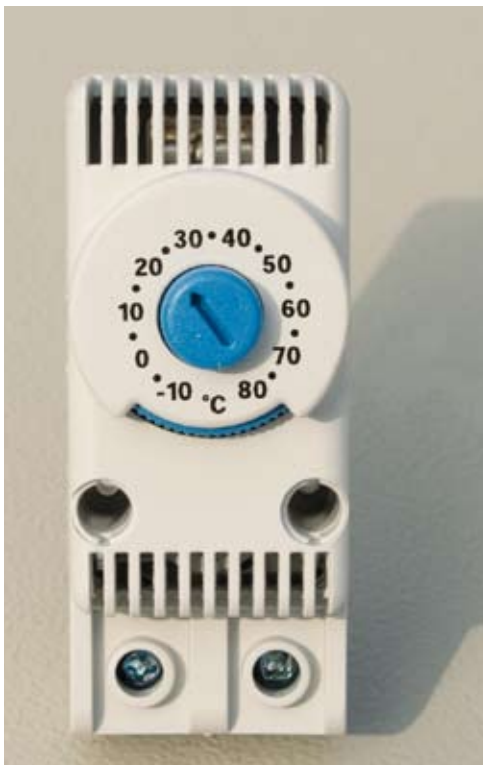
CQE Accessories



SPRAY PAINT

- Acrylic paint.
- Content: 400 ml.
- 1 pcs packaging.

Code	Color
RAA21	RAL 7032
RAA24	RAL 7035
RAA54	RAL 7011

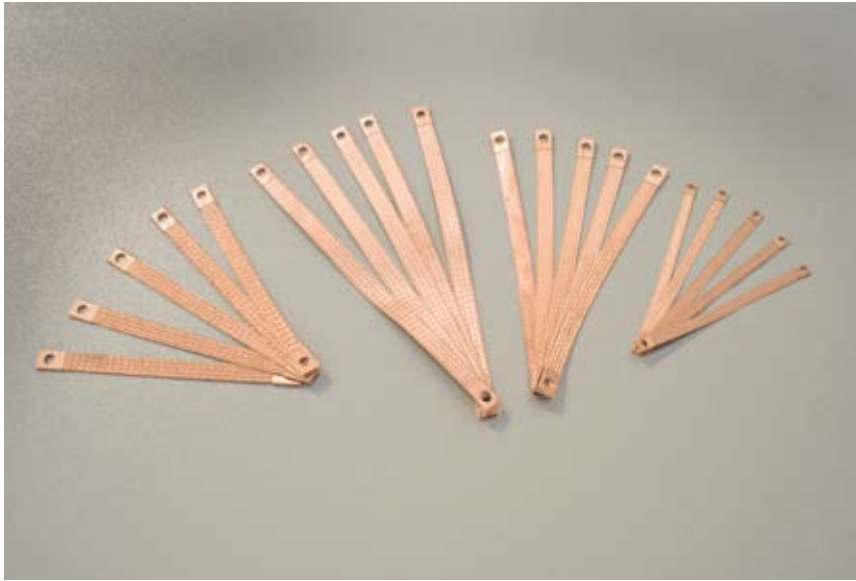


THERMOSTAT

item RATMS01

- Allows the constant control of the temperature keeping it under the preset values.
- Its use is suggested in all the applications requiring the utilization of cooling or heating systems.
- It's possible to set the working temperature range in advance in order to prevent any tampering by unexperienced staff.
- External frame in self-extinguishing plastic material in accordance with law UL94-VO.
- Degree of protection: IP 30 according to EN 60529.
- The thermostat can be easily fixed by an accessory supplied with it.

CQE Accessories



EARTHING STRAP

- Manufactured in copper for highest conductivity.
- Used to link the frame and the door.
- 5 pcs packaging.

Code	length	section
RATR2010	200	10 mm ²
RATR2510	250	10 mm ²
RATR2016	200	16 mm ²
RATR3016	300	16 mm ²



FLUORESCENT LAMP

- 220 V - 50 Hz.
- 1 pcs packaging with all mounting accessories.



Code	Lenght mm	Power (W)
RALA08	342	8
RALA013	574	13

CQE Accessories



THREE-PHASE FLASHING LAMP

item RAMC02

- Flashing three-phase limit switch.
- Cut the power and start flashing when the enclosure doors are open.



MICRO-SWITCH

item RAMC01

- In accordance with IEC 377 - VDE 0660.
- Package includes a galvanized steel plate and all the mounting screws.

Ventilation

OVERVIEW

The new series of cooler fan with air filter offers outstanding advantages:

- Perfect match with our enclosures. Our cooler fan doesn't protrude from the enclosure, hence it avoids dangerous and unsought external obstructions.
- Assembling without screws. Our cooler fan perfectly fits with panels being from 1,5 to 2,5 mm thick. By this way you can considerably reduce the assembly time. In a competitive market, the necessity to decrease costs is so much pressing that all companies are studying in detail the chance to achieve this goal.

FEATURES OF COMPONENTS

- Plastic parts in selfextinguishing ABS in accordance with UL 94-V0.
- High performing filters with progressive structures, in unbreakable thermo-regulated synthetic fibres can resist up to 100 °C and up to 100% of relative humidity. They can absorb up to 650 g/m² powder. The beginning load loss is 25 Pa. The filters can be cleaned by rinsing, water jet or beating. The quality is in accordance with the DIN 24185 standards.
- Cooler fans are assembled according to the law in force. The certifications (TÜV - VDE) of every single item can be issued on application. All the rotary masses are mounted on long life ball bearings (at least 50000 hours at 25 °C and 65% RH).
- The fans are made of recyclable materials.

FURTHER FEATURES

- Degree of protection IP 54 according to EN60529. IP 55 version available on application.
- Standard airflow from outside to inside. Opposite direction available on application.
- Other voltages are available on application.
- Standard color RAL 7035.

code	voltage V-AC	freq. Hz	absorbed power		fan flow m ³ /h	air flow m ³ /h	noise dB (A)	temp. °C
			mA	W				
RAV190APF12	230	50/60	125/110	20/19	57/61	66/73	43/48	-10 ~ +55
RAV190APF15	230	50/60	126/130	29/29	240/270	111/134	50/55	-10 ~ +55
RAV300APF15	230	50/60	125/110	20/19	115/125	51/59	43/48	-10 ~ +55
RAV820APF15	230	50/60	300/360	67/90	360/400	160/180	61/63	-10 ~ +50
RAV820APF20	230	50/60	300/360	67/90	520/580	160/186	60/62	-10 ~ +50
RAV190BPF12	115	50/60	210/180	20/18	57/61	66/73	43/48	-10 ~ +50
RAV190BPF15	115	50/60	250/260	30/30	240/270	111/134	50/55	-10 ~ +55
RAV300BPF15	115	50/60	210/180	20/18	115/125	51/59	43/48	-10 ~ +55
RAV820BPF15	115	50/60	540/650	50/64	360/400	160/180	61/63	-10 ~ +55
RAV820BPF20	115	50/60	540/650	50/64	520/580	160/186	60/62	-10 ~ +55

RAPF12

RAPF15

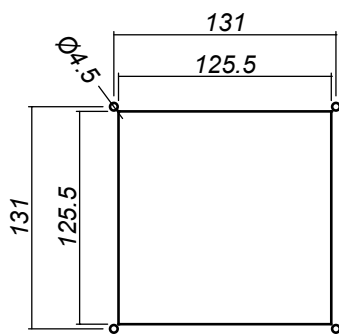
RAPF20



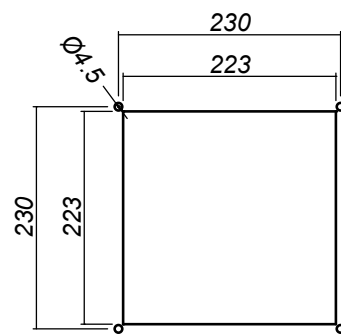
RAV190A/B

RAV300A/B

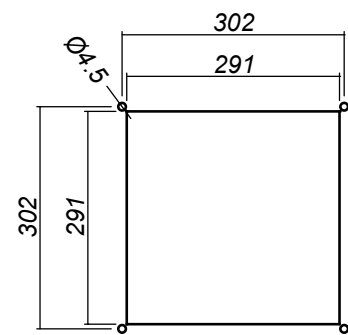
RAV820A/B



mod. RAPF12



mod. RAPF15



mod. RAPF20

The four holes in the corners needs to be drill only if is necessary to fix the fan with screws

- Fans and filters can be ordered separately.



TOP EXHAUST UPTAKES

OVERVIEW

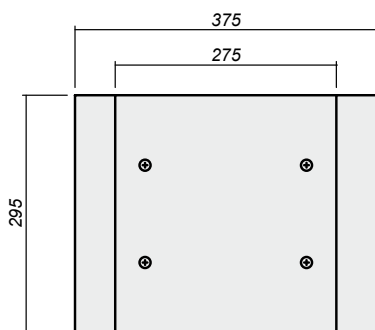
Our exhaust fans represent a prompt and effective solution to the problem of electric cabinet cooling. The use of exhaust fan uptakes helps the ejection of warm air that naturally goes to the top of the enclosure.

FEATURES OF COMPONENTS

- Metal part in painted steel.
- High performing filters with progressive structures, in unbreakable thermo-regulated synthetic fibres can resist up to 100 °C and up to 100% of relative humidity. They can absorb up to 650 g/m² powder. The beginning load loss is 25 Pa. The filters can be cleaned by rinsing, water jet or beating. The quality is in accordance with the DIN 24185 standards.
- Cooling fans are assembled according to the law in force. The certifications (UL – CSA – VDE) of every single item can be issued on application. All the fans are made in recyclable materials.

FURTHER FEATURES

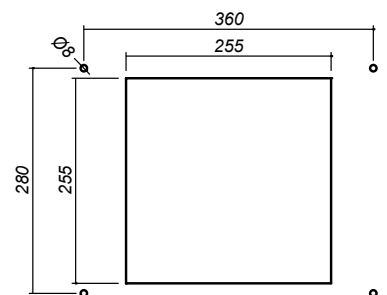
- Degree of protection IP 33; The IP 43 require the assembly of filter and sealing gasket.
- Others voltages are available on application.
- Standard colour RAL 7035.



top view

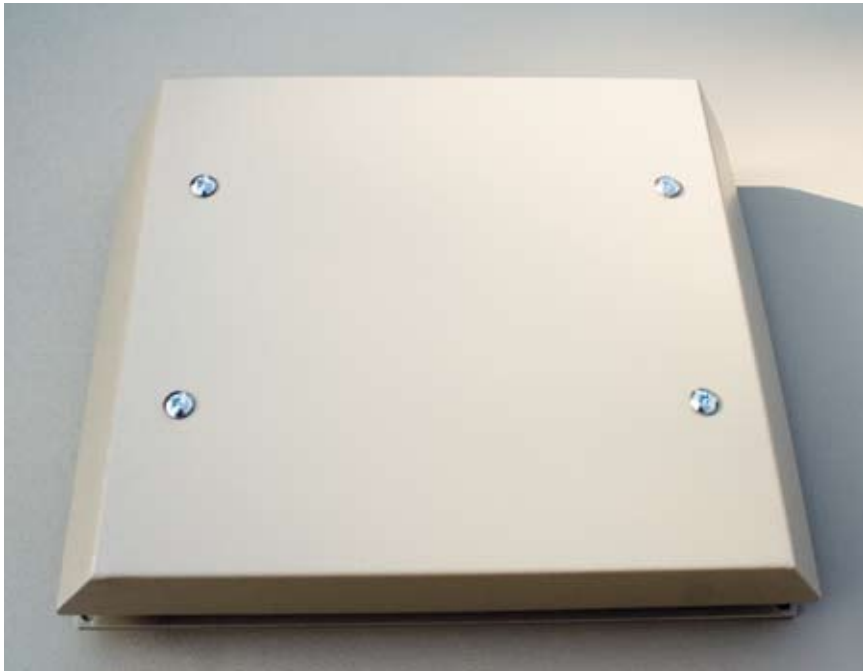


side view



punching draw

code	voltage V-AC	freq. Hz	absorbed power		fan flow m ³ /h	air flow m ³ /h	noise dB (A)	temp. °C
			mA	W				
RATEV230	230	50/60	290	65	600	480	61	-20 – +50
RATEV115	115	50/60	560	66	600	480	61	-20 – +50



EXHAUST NO-FAN TOP MOUNTING

Item RAVE08

OVERVIEW

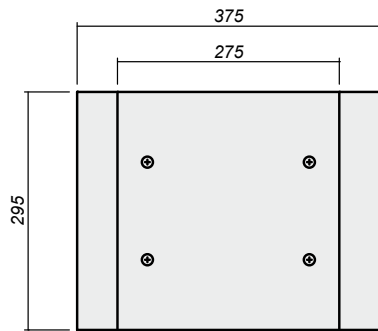
This item is very similar to our exhaust fan but it hasn't any fan. We recommend the installation where the forced ejection of warm airflow is not necessary.

FEATURES OF COMPONENTS

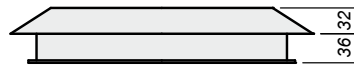
- Metal part in painted steel.

FURTHER FEATURES

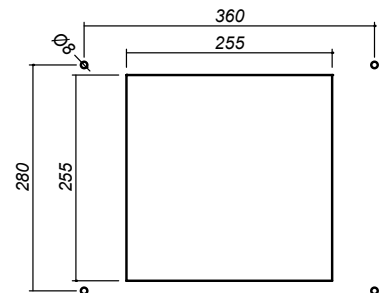
- Degree of protection IP 33; the IP 43 requires the assembly of filter and sealing gasket.
- Standard color RAL 7035.



top view



side view



punching draw



CQE and CAE outer modularity



Our external sectional systems for energy distribution are directly obtained from our CQE series. They allow, through the application of suitable parts the assembly of low voltage power distribution cabinets.

The structures can be configured in enclosures with multiple separate cell external doors with mounting plate adjustable in depth.

These enclosures are tested at CESI institute (Centro Elettromagnetico Sperimentale Italiano) getting the certification. 400V and 690V @ 50 Hz are working voltage and insulation voltage during the test. 80 kA for 1 s is the admissible current of short time (Icw) and 176 kA is the admissible peak current of entrance circuit, collector bars and energy distribution bars.



UNI EN ISO 9001:2000



TÜV SÜD Group

CESI

Short-circuit certification
80 kA CEI EN 60439-1



In accordance with
European Directive
CEI EN 50298



Underwriters
Laboratories
Canada and USA
UL 508



FRAME

assembled frame with patented closed section manufactured in 1,5 mm galvanized metal sheet painted with RAL 7035 textured finish.

ROOF and BASE

manufactured in 1,5 mm sheet metal painted with RAL 7011 textured finish, both of them are removable.

BOTTOM

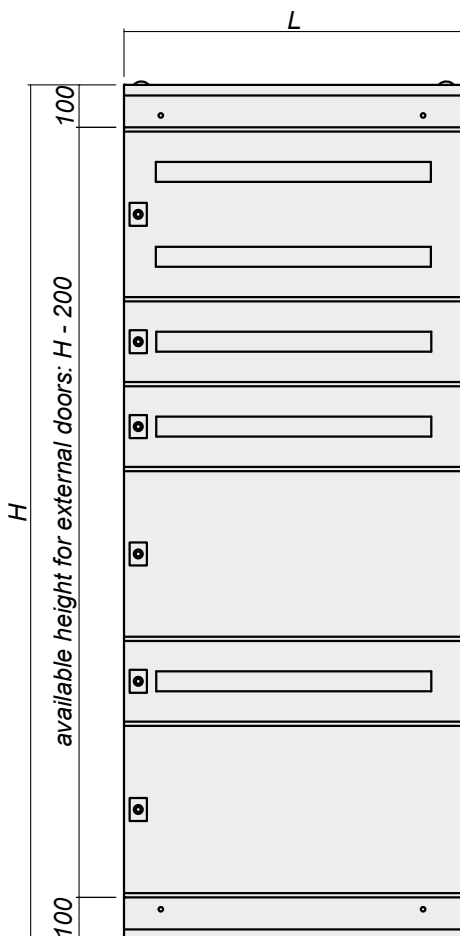
manufactured in 1,5 mm galvanized sheet metal with adjustable wire inlet.

EXTERNAL DOOR

Manufactured in 2 mm steel sheet, painted with RAL 7035 textured finish with accident preventing rounded edges. 1 or 2 locking points, 2 or 4 hinges and square handle and complete locking system with Ø 3 mm double-comb insert.

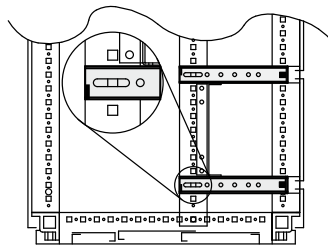
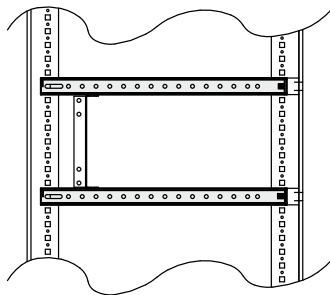
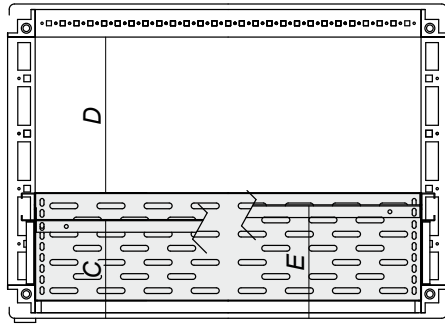
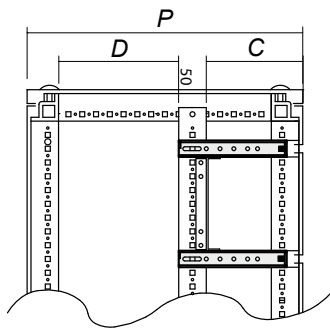
DEGREE OF PROTECTION

IP 55 according to EN 60529.



code	enclosure dimensions		
	height H	width L	depth P
R5CQE1864S	1800	600	400
R5CQE1865S	1800	600	500
R5CQE1866S	1800	600	600
R5CQE1868S	1800	600	800
R5CQE1884S	1800	800	400
R5CQE1885S	1800	800	500
R5CQE1886S	1800	800	600
R5CQE1888S	1800	800	800
R5CQE2064S	2000	600	400
R5CQE2065S	2000	600	500
R5CQE2066S	2000	600	600
R5CQE2068S	2000	600	800
R5CQE2084S	2000	800	400
R5CQE2085S	2000	800	500
R5CQE2086S	2000	800	600
R5CQE2088S	2000	800	800
R5CQE2265S	2200	600	500
R5CQE2266S	2200	600	600
R5CQE2268S	2200	600	800
R5CQE2285S	2200	800	500
R5CQE2286S	2200	800	600
R5CQE2288S	2200	800	800

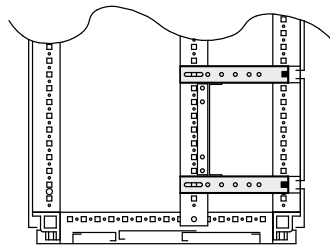
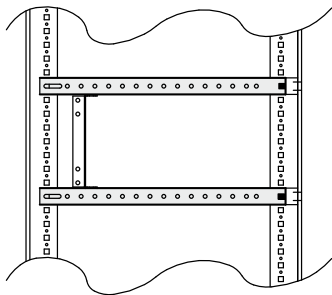
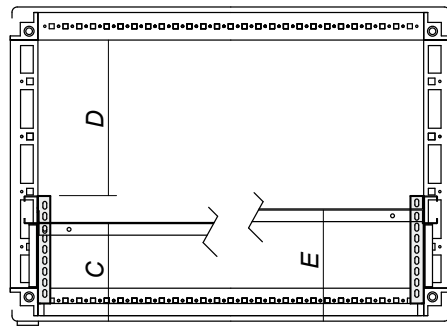
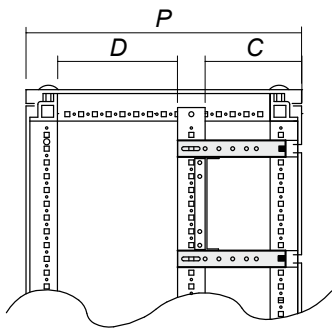
CQE and CAE outer modularity



PARTIAL AND TOTAL HORIZONTAL PLATE

- manufactured in 1,5 mm galvanized sheet metal.
- 1 pcs packaging with all mounting screws.

enclosure depth	C	D	E	partial horizontal plate		total horizontal plate	
				width 600	width 800	width 600	width 800
400	125	168	155	RZDOE6145	RZDOE8145	RZDOE6345	RZDOE8345
400	175	118	205	RZDOE6195	RZDOE8195	RZDOE6345	RZDOE8345
500	125	268	155	RZDOE6145	RZDOE8145	RZDOE6445	RZDOE8445
500	175	218	205	RZDOE6195	RZDOE8195	RZDOE6445	RZDOE8445
500	275	118	305	RZDOE6295	RZDOE8295	RZDOE6445	RZDOE8445
600	125	368	155	RZDOE6145	RZDOE8145	RZDOE6545	RZDOE8545
600	175	318	205	RZDOE6195	RZDOE8195	RZDOE6545	RZDOE8545
600	275	218	305	RZDOE6295	RZDOE8295	RZDOE6545	RZDOE8545
800	125	568	155	RZDOE6145	RZDOE8145	RZDOE6745	RZDOE8745
800	175	518	205	RZDOE6195	RZDOE8195	RZDOE6745	RZDOE8745
800	275	418	305	RZDOE6295	RZDOE8295	RZDOE6745	RZDOE8745
800	325	368	355	RZDOE6345	RZDOE8345	RZDOE6745	RZDOE8745

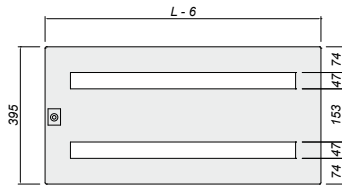
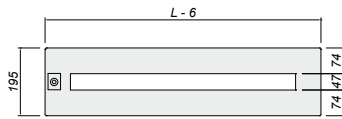


PARTIAL AND TOTAL HORIZONTAL RAIL

- manufactured in 1,5 mm galvanized sheet metal.
- 2 pcs packaging with all mounting screws.

enclosure depth	C	D	E	partial horizontal rail	total horizontal rail
400	125	168	155	RZSOE145	RZSOE345
400	175	118	205	RZSOE195	RZSOE345
500	125	268	155	RZSOE145	RZSOE445
500	175	218	205	RZSOE195	RZSOE445
500	275	118	305	RZSOE295	RZSOE445
600	125	368	155	RZSOE145	RZSOE545
600	175	318	205	RZSOE195	RZSOE545
600	275	218	305	RZSOE295	RZSOE545
800	125	568	155	RZSOE145	RZSOE745
800	175	518	205	RZSOE195	RZSOE745
800	275	418	305	RZSOE295	RZSOE745
800	325	368	355	RZSOE345	RZSOE745

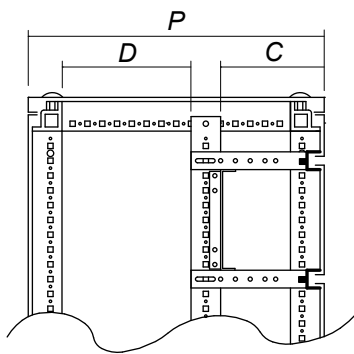
CQE and CAE outer modularity



DOOR WITH DIN MODULAR SLOT

- Manufactured in 2 mm steel sheet, painted with RAL 7035 textured finish with accident preventing rounded edges.
- 1 pcs packaging with all mounting screws and DIN rail accessories.

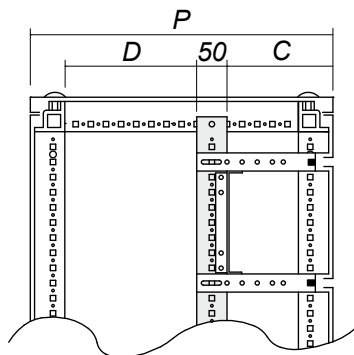
Code	enclosure width	modular door height	no. slots	no. modules for slot
R5CPME6201	600	200	1	26
R5CPME6401	600	400	2	26
R5CPME8201	800	200	1	36
R5CPME8401	800	400	2	36



RABBET FOR SECTIONAL DOOR

- Manufactured in 1,5 mm steel sheet, painted with RAL 7035.
- 1 pcs packaging with all mounting accessories.

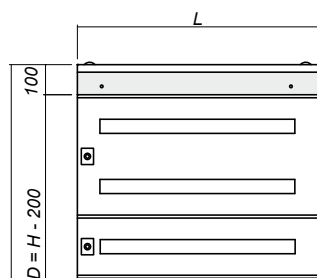
Code	enclosure width
R5TOE60	600
R5TOE80	800



VERTICAL FRAMEWORK

- manufactured in 1,5 mm galvanized sheet metal.
- 2 pcs packaging with all mounting screws.

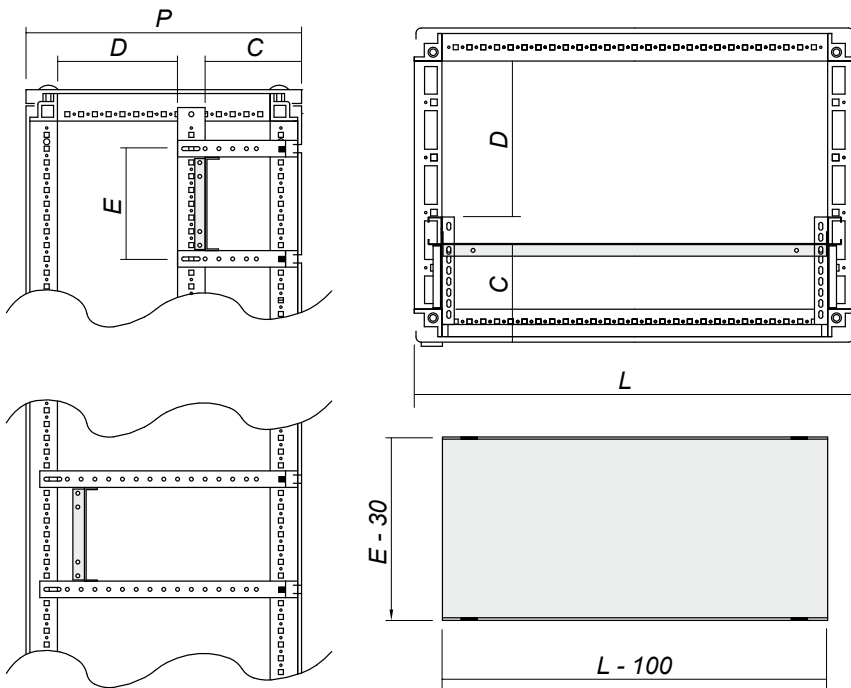
Code	enclosure height
RZMVE18	1800
RZMVE20	2000
RZMVE22	2200



COMPENSATION PLATE

- Manufactured in 1,5 mm steel sheet, painted with RAL 7035.
- 2 pcs packaging with all mounting accessories.

Code	enclosure width
R5CPFE6100	600
R5CPFE8100	800

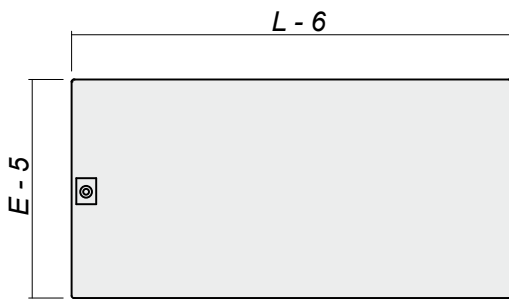


SECTIONAL MOUNTING PLATE

- manufactured in 2 mm galvanized sheet metal.
- adjustable in depth.
- 1 pcs packaging with all mounting screws.

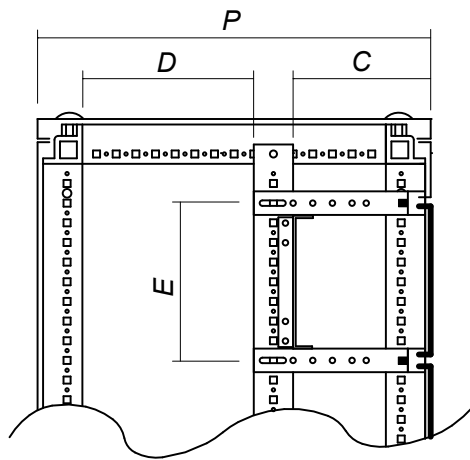
cabinet height E	code	
	enclosure width L = 600	enclosure width L = 800
200	RZPCE6200	RZPCE8200
300	RZPCE6300	RZPCE8300
400	RZPCE6400	RZPCE8400
500	RZPCE6500	RZPCE8500
600	RZPCE6600	RZPCE8600
800	RZPCE6800	RZPCE8800
900	RZPCE6900	RZPCE8900

CQE and CAE outer modularity

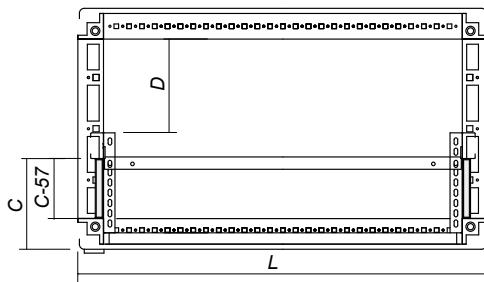
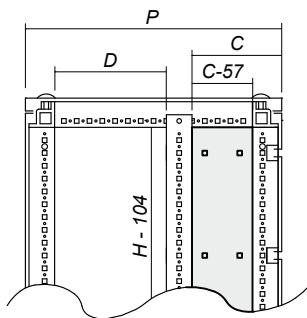


BLIND MODULAR DOOR

- Manufactured in 2 mm steel sheet, painted with RAL 7035 textured finish with anti injury rounded edges.
- 1 pcs packaging with all mounting screws and accessories.



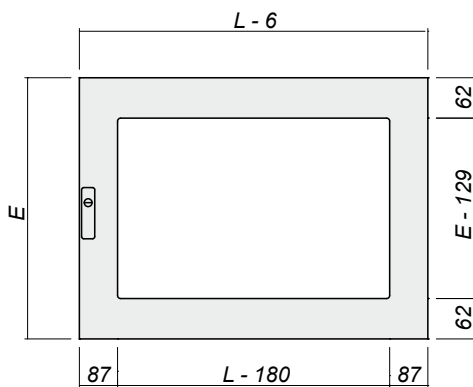
cabinet height E	code	
	enclosure width L = 600	enclosure width L = 800
200	R5CPME6200	R5CPME8200
300	R5CPME6300	R5CPME8300
400	R5CPME6400	R5CPME8400
500	R5CPME6500	R5CPME8500
600	R5CPME6600	R5CPME8600
800	R5CPME6800	R5CPME8800
900	R5CPME6900	R5CPME8900



PARTIAL AND TOTAL VERTICAL PLATE

- manufactured in 1,5 mm galvanized sheet metal.
- 1 pcs packaging with all mounting screws.

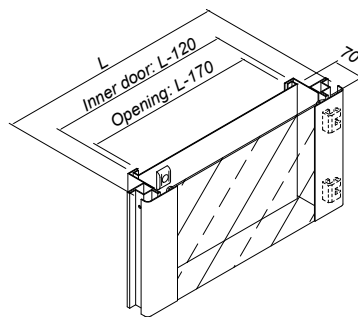
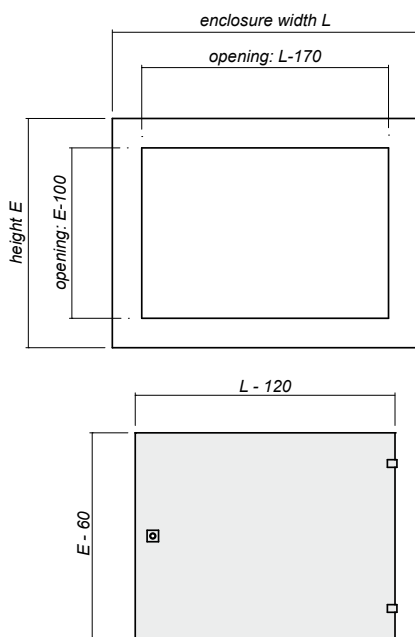
enclosure depth P	cabinet depth C	partial vertical plate			total vertical plate		
		enclosure height H			enclosure height H		
		1800	2000	2200	1800	2000	2200
400	125	RZDVP18125	RZDVP20125		RZDVE1840	RZDVE2040	
400	175	RZDVP18175	RZDVP20175		RZDVE1840	RZDVE2040	
500	125	RZDVP18125	RZDVP20125	RZDVP22125	RZDVE1850	RZDVE2050	RZDVE2250
500	175	RZDVP18175	RZDVP20175	RZDVP22175	RZDVE1850	RZDVE2050	RZDVE2250
500	275	RZDVP18275	RZDVP20275	RZDVP22275	RZDVE1850	RZDVE2050	RZDVE2250
600	125	RZDVP18125	RZDVP20125	RZDVP22125	RZDVE1860	RZDVE2060	RZDVE2260
600	175	RZDVP18175	RZDVP20175	RZDVP22175	RZDVE1860	RZDVE2060	RZDVE2260
600	275	RZDVP18275	RZDVP20275	RZDVP22275	RZDVE1860	RZDVE2060	RZDVE2260
800	125	RZDVP18125	RZDVP20125	RZDVP22125	RZDVE1880	RZDVE2080	RZDVE2280
800	175	RZDVP18175	RZDVP20175	RZDVP22175	RZDVE1880	RZDVE2080	RZDVE2280
800	275	RZDVP18275	RZDVP20275	RZDVP22275	RZDVE1880	RZDVE2080	RZDVE2280
800	325	RZDVP18325	RZDVP20325	RZDVP22325	RZDVE1880	RZDVE2080	RZDVE2280



GLAZED SECTIONAL DOOR

- Manufactured in 2 mm steel sheet, painted with RAL 7035 textured finish with accident preventing rounded edges.
- Selfextinguishing acrylic plate.
- 1 pcs packaging with all mounting accessories.

height E	Code	
	enclosure width L = 600	enclosure width L = 800
395	R5CPMTE6400	R5CPMTE8400
595	R5CPMTE6600	R5CPMTE8600
795	R5CPMTE6800	R5CPMTE8800



INTERNAL SECTIONAL DOOR

- Manufactured in 2 mm steel sheet, painted with RAL 7035 textured finish.
- gap between inner and outer door: 70 mm.
- 1 pcs packaging with all mounting accessories.

height E	Code	
	enclosure width L = 600	enclosure width L = 800
400	R5CPMIE6400	R5CPMIE8400
600	R5CPMIE6600	R5CPMIE8600
800	R5CPMIE6800	R5CPMIE8800

• The glazed sectional doors (item R5CPMXE) are usually used to protect the devices mounted on the inner door (item R5CPMIE) in the upper part of the enclosure.

• In the lower part of the enclosure is possible to apply other components such as a reading desk section (item R5LE) or other sectional doors (item R5CPME).

In any case, it is necessary to order a package of compensation plate (item R5CPFE).

CQE and CAE inner modularity



Our external sectional systems for energy distribution are directly obtained from our CQE series. They allow, through the application of suitable parts the assembly of low voltage power distribution cabinets.

The frames can be configured in enclosures with multiple internal doors and internally divided enclosures with mounting plate adjustable in depth.

Our sectional CQE inner devices are protected by a glazed door made of security glass.

These enclosures are tested at CESI institute (Centro Elettromagnetico Sperimentale Italiano) achieving the certification. 400V and 690V @ 50 Hz are working voltage and insulation voltage during the test. 80 kA for 1 s is the admissible current of short time (I_{cw}) and 176 kA is the admissible peak current of entrance circuit, collector bars and energy distribution bars.



UNI EN ISO 9001:2000



TÜV SÜD Group



Short-circuit certification
80 kA CEI EN 60439-1



In accordance with
European Directive
CEI EN 50298



Underwriters
Laboratories
Canada and USA
UL 508



FRAME

assembled frame with patented closed profile manufactured in 1,5 mm galvanized sheet metal painted with RAL 7035 textured finish.

ROOF and BASE

manufactured in 1,5 mm sheet metal painted with RAL 7011 textured finish, both of them are removable.

BOTTOM

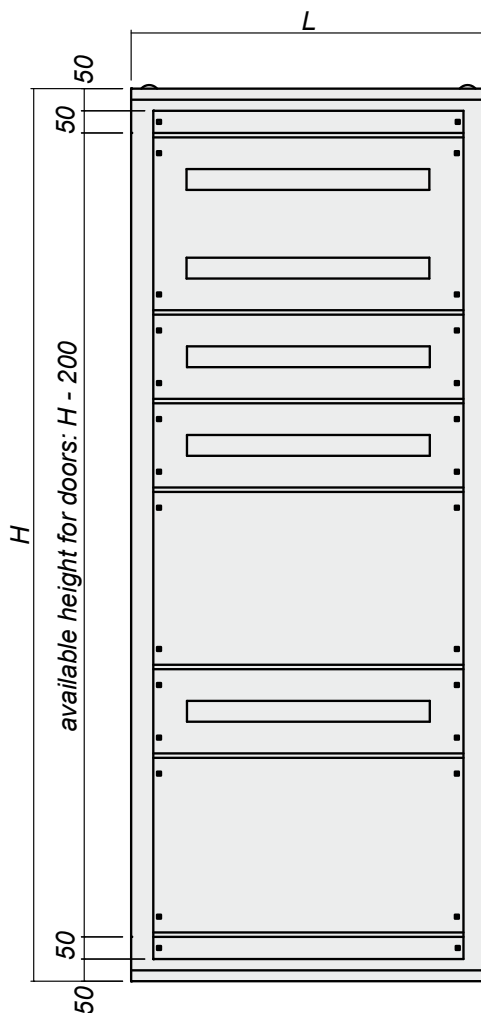
manufactured from 1,5 mm galvanized sheet metal with adjustable wire inlet.

GLAZED DOOR

Manufactured in 2 mm steel sheet, painted with RAL 7035 textured finish with accident preventing rounded edges. 4 locking points, 4 hinges with large handle and complete locking system with \varnothing 3 mm double-comb insert. 4 mm security glass.

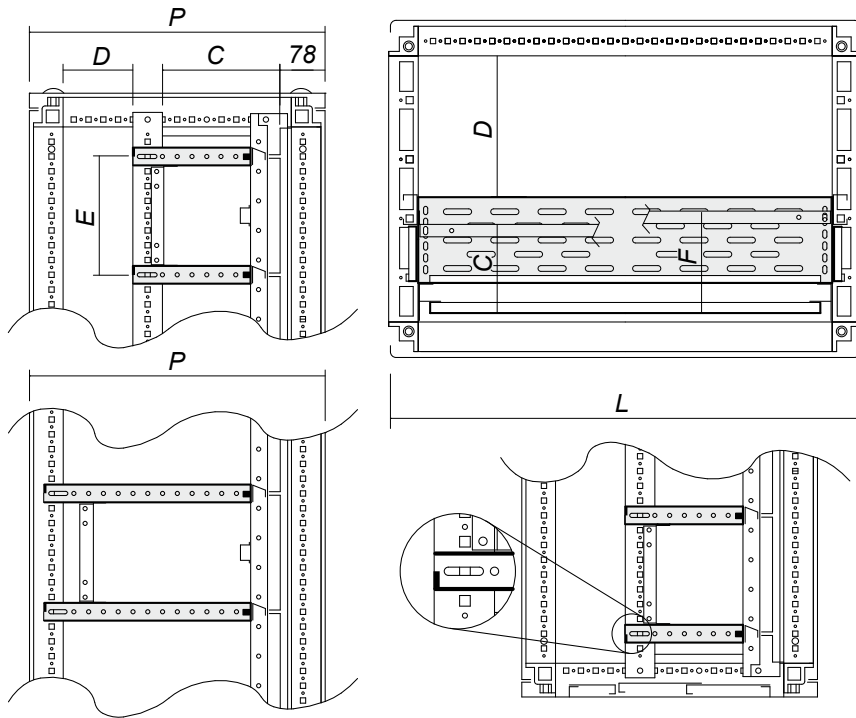
DEGREE OF PROTECTION

IP 55 according to EN 60529.



Code	enclosure dimensions		
	height H	width L	depth P
R5CQE1864S	1800	600	400
R5CQE1865S	1800	600	500
R5CQE1866S	1800	600	600
R5CQE1868S	1800	600	800
R5CQE1884S	1800	800	400
R5CQE1885S	1800	800	500
R5CQE1886S	1800	800	600
R5CQE1888S	1800	800	800
R5CQE2064S	2000	600	400
R5CQE2065S	2000	600	500
R5CQE2066S	2000	600	600
R5CQE2068S	2000	600	800
R5CQE2084S	2000	800	400
R5CQE2085S	2000	800	500
R5CQE2086S	2000	800	600
R5CQE2088S	2000	800	800
R5CQE2265S	2200	600	500
R5CQE2266S	2200	600	600
R5CQE2268S	2200	600	800
R5CQE2285S	2200	800	500
R5CQE2286S	2200	800	600
R5CQE2288S	2200	800	800

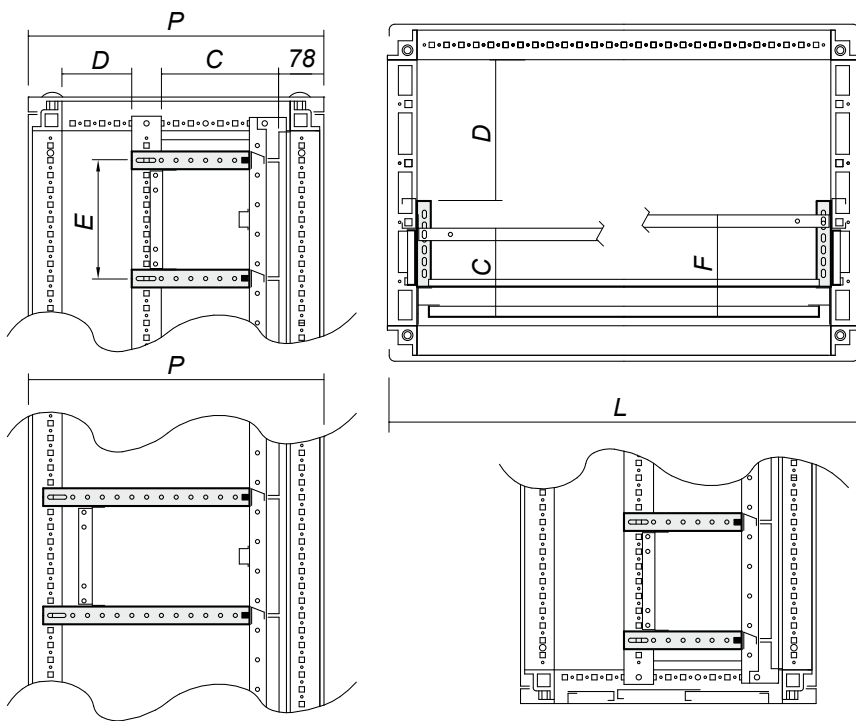
CQE and CAE inner modularity



PARTIAL AND TOTAL HORIZONTAL PLATE

- manufactured in 1,5 mm galvanized sheet metal.
- 1 pcs packaging with all mounting screws.

enclosure depth	C	D	F	partial horizontal plate		total horizontal plate	
				width 600	width 800	width 600	width 800
400	97	118	127	RZDOE6095	RZDOE8095	RZDOE6245	RZDOE8245
400	147	68	177	RZDOE6145	RZDOE8145	RZDOE6245	RZDOE8245
500	97	218	127	RZDOE6095	RZDOE8095	RZDOE6345	RZDOE8345
500	147	168	177	RZDOE6145	RZDOE8145	RZDOE6345	RZDOE8345
500	247	68	277	RZDOE6245	RZDOE8245	RZDOE6345	RZDOE8345
600	97	318	127	RZDOE6095	RZDOE8095	RZDOE6445	RZDOE8445
600	147	268	177	RZDOE6145	RZDOE8145	RZDOE6445	RZDOE8445
600	247	168	277	RZDOE6245	RZDOE8245	RZDOE6445	RZDOE8445
800	97	518	127	RZDOE6095	RZDOE8095	RZDOE6645	RZDOE8645
800	147	468	177	RZDOE6145	RZDOE8145	RZDOE6645	RZDOE8645
800	247	368	277	RZDOE6245	RZDOE8245	RZDOE6645	RZDOE8645
800	347	268	377	RZDOE6345	RZDOE8345	RZDOE6645	RZDOE8645

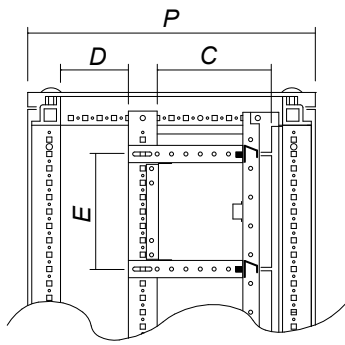


PARTIAL AND TOTAL HORIZONTAL RAIL

- manufactured in 1,5 mm galvanized sheet metal.
- 2 pcs packaging with all mounting screws.

enclosure depth	C	D	F	partial horizontal rail	total horizontal rail
400	97	118	127	RZSOE095	RZSOE245
400	147	68	177	RZSOE145	RZSOE245
500	97	218	127	RZSOE095	RZSOE345
500	147	168	177	RZSOE145	RZSOE345
500	247	68	277	RZSOE245	RZSOE345
600	97	318	127	RZSOE095	RZSOE445
600	147	268	177	RZSOE145	RZSOE445
600	247	168	277	RZSOE245	RZSOE445
800	97	518	127	RZSOE095	RZSOE645
800	147	468	177	RZSOE145	RZSOE645
800	247	368	277	RZSOE245	RZSOE645
800	347	268	377	RZSOE345	RZSOE645

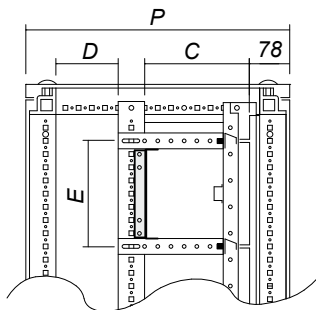
CQE and CAE inner modularity



RABBET FOR SECTIONAL INNER DOOR

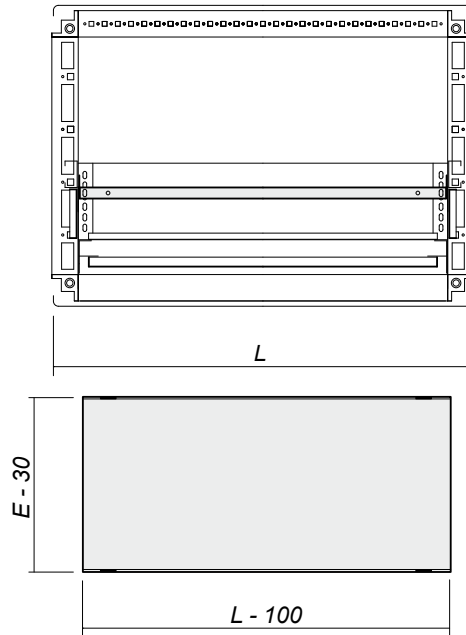
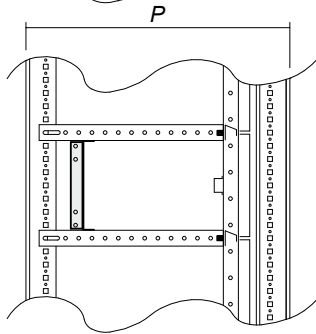
- Manufactured in 1,5 mm galvanized steel sheet.
- 1 pcs packaging with all mounting accessories.

code	enclosure width
RZBPE60	600
RZBPE80	800

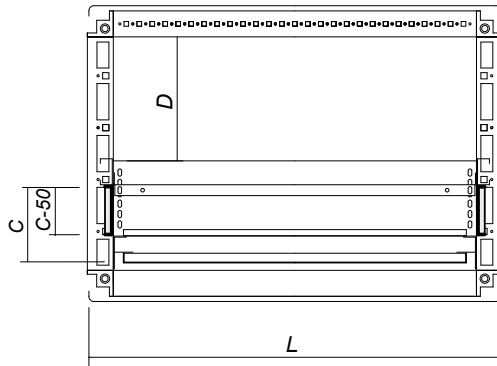
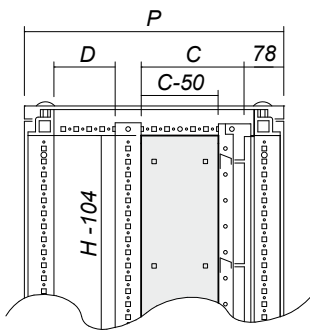


SECTIONAL MOUNTING PLATE

- manufactured in 2 mm galvanized sheet metal.
- adjustable in depth.
- 1 pcs packaging with all mounting screws.



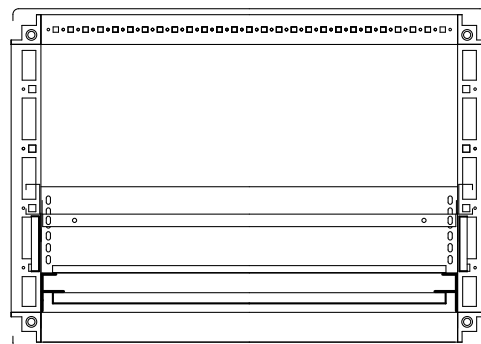
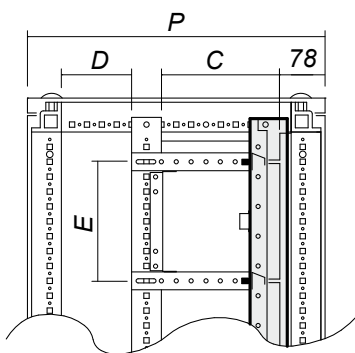
cabinet height E	Code	
	enclosure width L = 600	enclosure width L = 800
200	RZPCE6200	RZPCE8200
300	RZPCE6300	RZPCE8300
400	RZPCE6400	RZPCE8400
500	RZPCE6500	RZPCE8500
600	RZPCE6600	RZPCE8600
800	RZPCE6800	RZPCE8800
900	RZPCE6900	RZPCE8900
1000	RZPCE61000	RZPCE81000



PARTIAL AND TOTAL VERTICAL PLATE

- Manufactured in 1,5 mm galvanized sheet metal.
- 1 pcs packaging with all mounting screws.

enclosure depth P	cabinet depth C	partial vertical plate enclosure height H			total vertical plate enclosure height H		
		1800	2000	2200	1800	2000	2200
400	125	RZDVP18100	RZDVP20100		RZDVE1840	RZDVE2040	
400	175	RZDVP18150	RZDVP20150		RZDVE1840	RZDVE2040	
500	125	RZDVP18100	RZDVP20100	RZDVP22100	RZDVE1850	RZDVE2050	RZDVE2250
500	175	RZDVP18150	RZDVP20150	RZDVP22150	RZDVE1850	RZDVE2050	RZDVE2250
500	275	RZDVP18250	RZDVP20250	RZDVP22250	RZDVE1850	RZDVE2050	RZDVE2250
600	125	RZDVP18100	RZDVP20100	RZDVP22100	RZDVE1860	RZDVE2060	RZDVE2260
600	175	RZDVP18150	RZDVP20150	RZDVP22150	RZDVE1860	RZDVE2060	RZDVE2260
600	275	RZDVP18250	RZDVP20250	RZDVP22250	RZDVE1860	RZDVE2060	RZDVE2260
800	125	RZDVP18100	RZDVP20100	RZDVP22100	RZDVE1880	RZDVE2080	RZDVE2280
800	175	RZDVP18150	RZDVP20150	RZDVP22150	RZDVE1880	RZDVE2080	RZDVE2280
800	275	RZDVP18250	RZDVP20250	RZDVP22250	RZDVE1880	RZDVE2080	RZDVE2280
800	325	RZDVP18350	RZDVP20350	RZDVP22350	RZDVE1880	RZDVE2080	RZDVE2280

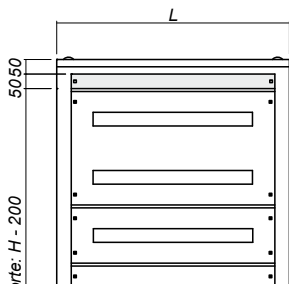


VERTICAL FRAME FOR SECTIONAL PLATE

- Manufactured in 1,5 mm sheet metal painted with RAL 7035 textured finish.
- 2 pcs packaging with all mounting screws.

Code	enclosure height
R5TE18	1800
R5TE20	2000
R5TE22	2200

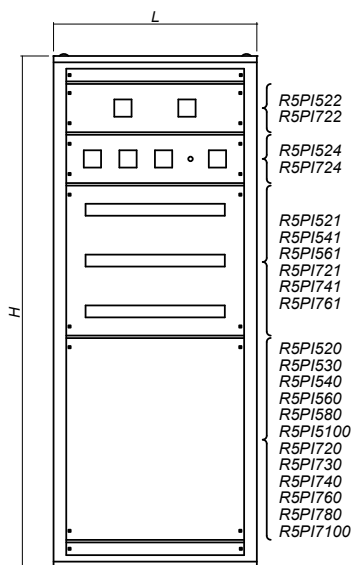
CQE and CAE inner modularity



COMPENSATION PLATE

- Manufactured in 1,5 mm steel sheet, painted with RAL 7035 textured finish.
- 2 pcs packaging with all mounting accessories.

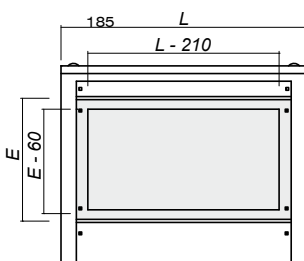
Code	enclosure width
R5PCD60	600
R5PCD80	800



SECTIONAL PANELS

- Manufactured in 1,5 mm steel sheet, painted with RAL 7035 textured finish.
- 2 pcs packaging with all mounting accessories.
- The panels with DIN slots have also a DIN rail.

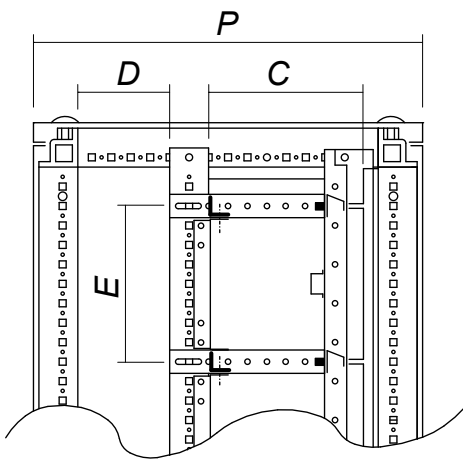
Code		cabinet height	slots description	
width 600	width 800		width 600	width 800
R5PI520	R5PI720	200	blank panel	
R5PI530	R5PI730	300	blank panel	
R5PI540	R5PI740	400	blank panel	
R5PI560	R5PI760	600	blank panel	
R5PI580	R5PI780	800	blank panel	
R5PI5100	R5PI7100	1000	blank panel	
R5PI521	R5PI721	200	1 slot for 24 modules	1 slot for 34 modules
R5PI541	R5PI741	400	2 slots for 24 modules	2 slots for 34 modules
R5PI561	R5PI761	600	3 slots for 24 modules	3 slots for 34 modules
R5PI522	R5PI722	200	2 square holes 68×68 mm	
R5PI524	R5PI724	200	4 square holes 68×68 mm and 1 circular hole Ø10 mm	



REVERSIBLE PLATE

- Manufactured in 1,5 mm steel sheet, painted with RAL 7035 textured finish.
- Suitable for using switches with long command levers (up to 100 mm).
- 1 pcs packaging with all mounting accessories.

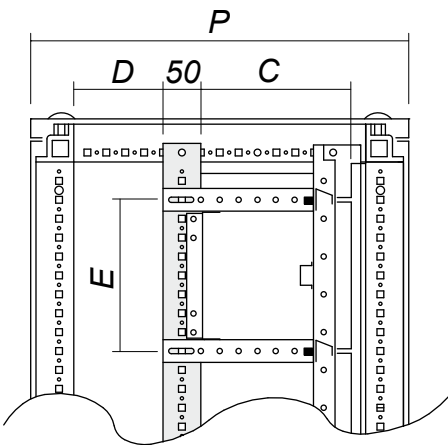
Code		cabinet height	distance external door - reversible plate
width 600	width 800		
R5PA6040	R5PA8040	400	110 mm
R5PA6060	R5PA8060	600	110 mm



PLUG PANEL

- manufactured in 1,5 mm galvanized sheet metal.
- interposed between two mounting plate, it can ensure a degree of protection IP 20.
- 5 pcs packaging with all mounting screws.

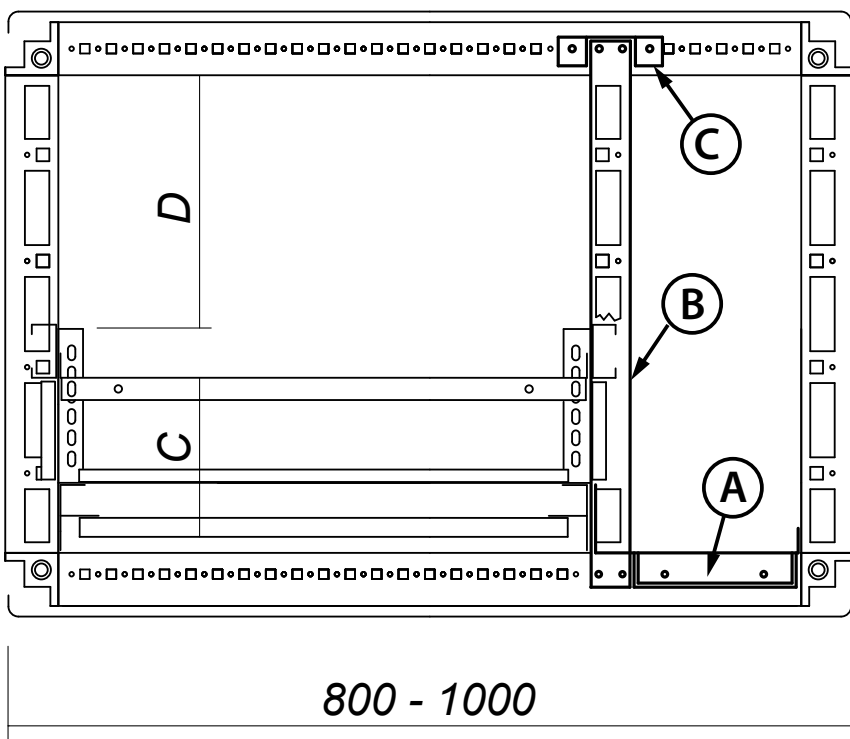
Code	enclosure width
RZFCP60	600
RZFCP80	800



VERTICAL FRAMEWORK

- manufactured in 1,5 mm galvanized sheet metal.
- 2 pcs packaging with all mounting screws.

Code	enclosure height
RZMVE18	1800
RZMVE20	2000
RZMVE22	2200



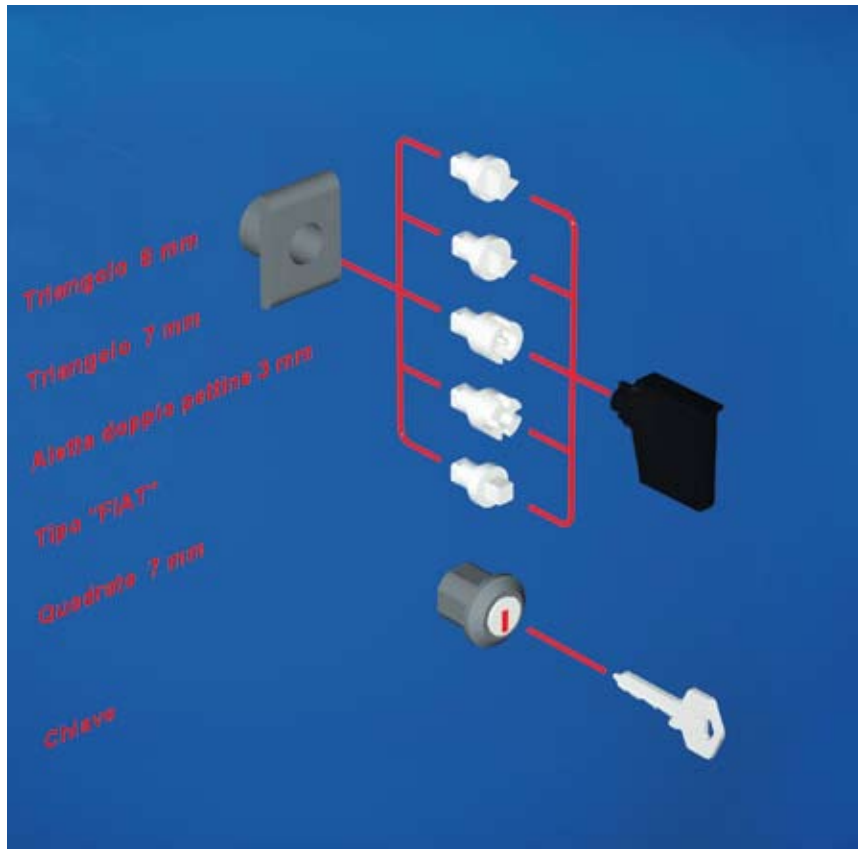
INNER MODULARITY WITH LATERAL PLATE 200 mm

- A. Side plate with locking points.
- B. Couple of intermediate vertical plate (mounted in depth).
- C. Vertical frame.

All mounting screws included.

Code	enclosure height	enclosure depth
R5PFI1840	1800	400
R5PFI1850	1800	500
R5PFI1860	1800	600
R5PFI1880	1800	800
R5PFI2040	2000	400
R5PFI2050	2000	500
R5PFI2060	2000	600
R5PFI2080	2000	800

Accessories for modularity

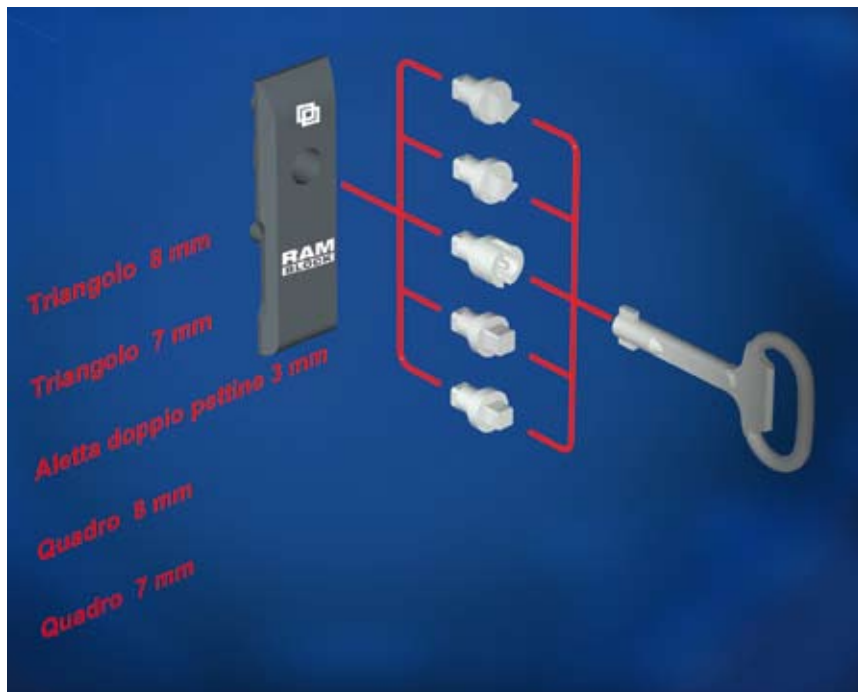


SQUARE HANDLE

locking code	description
RPCE204	Complete locking system with Ø 3 mm double-comb insert

key code	insert code	description
RPCE240	RZCE261	Ø 3 mm double-comb
RPCE246	RZCE224	8 mm triangular
RPCE245	RZCE223	7 mm triangular
*RZCE237	RZCE226	"FIAT"
RPCE243	RZCE221	7 mm square
*RZCE227		Key (with same keys)
*RZCE228		Key (with different keys)

* metal key



HANDLE

locking code	description
RZCE200	Complete locking system with Ø 3 mm double-comb insert

key code	insert code	description
RZCE230	RZCE219	Ø 3 mm double-comb insert
RZCE236	RZCE214	8 mm triangular
RZCE235	RZCE213	7 mm triangular
RZCE234	RZCE212	8 mm square
RZCE233	RZCE211	7 mm square

Laser cutting system

OVERVIEW

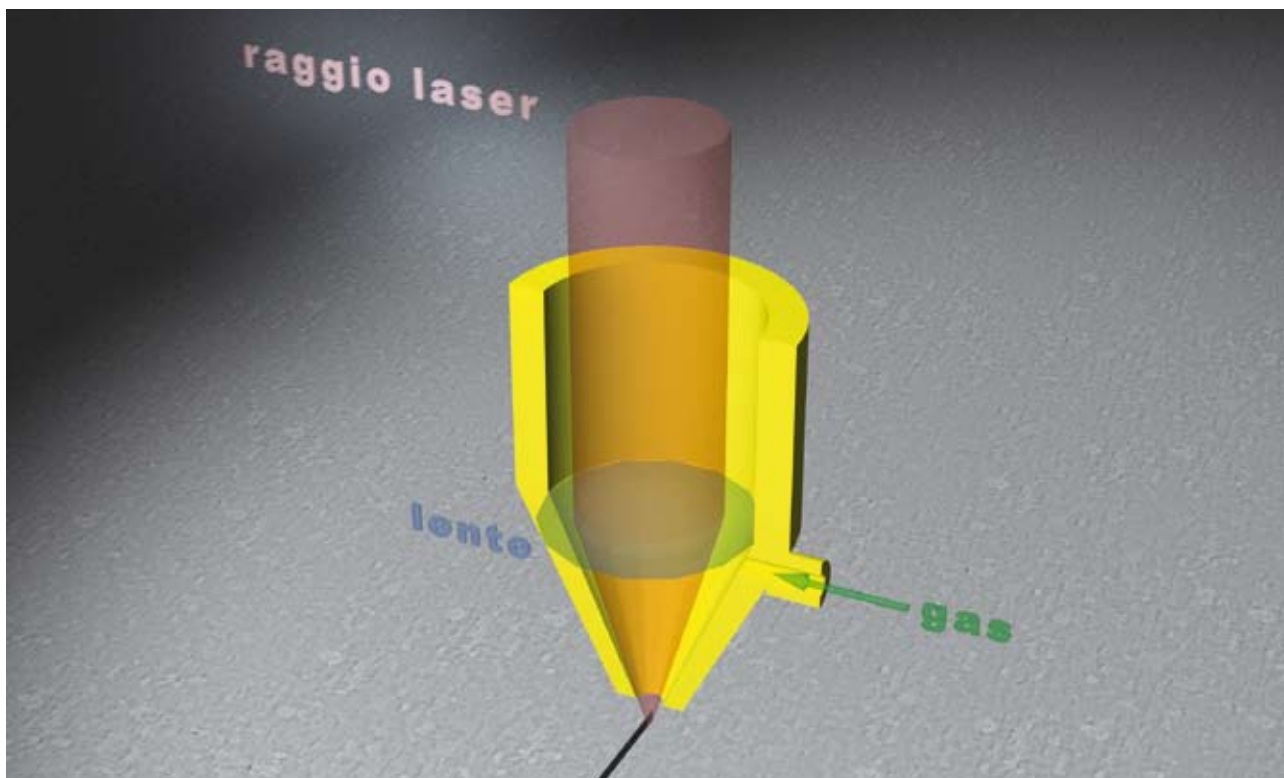
The complexity of the cutting edges and the growing demand of speeding up the production cutting processes, have brought DKC to make use of the most modern laser cutting technology for a long time. The laser cutting technology offers good execution speed, good cutting quality and the highest accuracy (about 0,05 mm).

THE LASER BEAM

The word LASER is the acronym of **L**ight **A**mplification by the **S**timulated **E**mission of **R**adiation. This acronym shows the laser function way. A laser is basically a pipe holding a gas (generally CO₂). One tip is closed by a reflective mirror and another by a semi-reflective mirror. This pipe is overstepped by a light carrying energy. While crossing the tube full of gas, this light generally releases a part of its energy exciting the gas atoms. which raises its energy level. The stimulated emission of radiations obviously getting obviously through the tip tube with semi-reflective mirror happens due to the raising of gas atoms energy, and utilizing the probabilistic calculus generally known as "Einstein analysis" (it is the ratio between the number of excited atoms and the number of low level energy atoms). What is commonly called "laser beam" gets out from this pipe.

CUTTING WITH LASER BEAM

The laser beam is focused through a lens just below the surface of the steel sheet to cut. This focus is able to make the steel evaporate. During the cutting of metals also an high pressure gas, generally Oxygen or Nitrogen is used. The gas is used to blow away the melted steel leaving a cutting slit (kerf) having 0,15 mm width approximately. The choice of the gas depends on the result you want to obtain: the Oxygen is used in processes with high cutting speed, but it is possible that the iron oxide coating creating on the cutting surface doesn't allow a suitable adhesion of some kind of paint. Moreover, the pitting resistance can be locally compromised with heavily alloyed steel such stainless steel. In this case, a high cleanliness Nitrogen is used instead of Oxygen, because also a little quantity of Oxygen can compromise its positive effects.



Powder coating

OVERVIEW

The protection requirement from pollution and humidity demands the painting of all the piece which aren't galvanized or manufactured in stainless steel.

POWDER COATING PROCESS

The powder coating process is very simple. Fine powder is electrostatically charged through the passage in special pistols spraying it inside the self-cleaning painting cabin. The piece to paint is placed inside the cabin and electrically connected to the ground. By this way the powder is equally attracted onto the surface of the piece. Then the piece is carried in the oven and undergone to a certain thermal cycle for the polymerization of the powder helping the adherence to the metallic surface. The piece stays in the oven for about 20 minutes at a temperature of 200 °C. When the piece comes out the process is over and ready to be treated. The use of many mixtures of powders makes many finishes possible. We mainly use two finishes, "textured" and "smooth". Our powder is thermosetting, solid epoxy resin based, specifically thought with selected pigments, added with additive able to create an hard and flexible film. The average thickness can vary from 50 to 70 μm.

PREPARATION OF THE PIECE THAT WILL BE PAINTED

It is one of the most delicate phases in the whole coating process because it plays an important role about its success or fail.

The first step is called degreasing. Here every hint of muck or oil is removed from the surface. The second step is the alkaline phosphor degrease at 60 °C. Then there is the drying in oven at 12 °C. The piece must enter perfectly clean and dry in the self-cleaning painting cabin.

TESTS AND CERTIFICATIONS

The entire cycle of coating is tested to certificate the correct essay. The final result was certificated by an appropriate

agency. The data and the results of the test are shown below.

Treatment processed: phosphatation SP 33, degreasing TS 3 (30 °C, 2 minutes, pH 5.0) and passivating liquid PK 4 (room temperature, 30 seconds, pH 5.2)

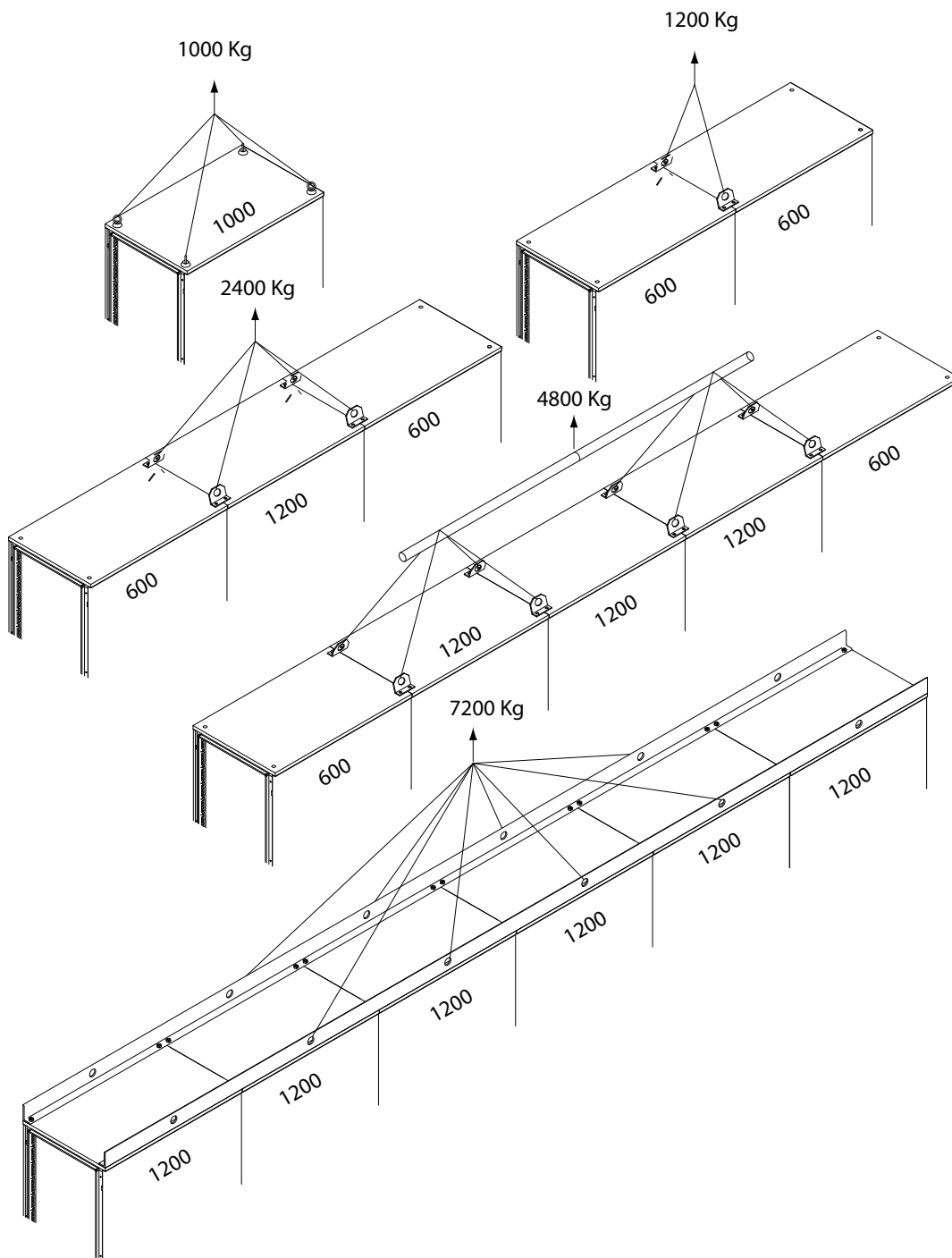
Polymerization: according to the hint of the powder maker

Break time before test: 48 hours.

All samples have passed the test of laws UNI 5687/73 and ASTM B-117-73

type of test	features	unit of measure	referencing law	results
Adhesion	GT 0	---	ISO 2409	100 %
Direct impact resistance (Bell)	≥ 2,5	Nm	ECCA T5	no film separation
Deep drawing (Ericksen)	≥ 5	mm	ISO 1520	no film separation
Cylindrical spindle 5 mm	5	mm	ISO 1519	no film separation
Saline fog	200	ore	ASTMB 117-94	1 mm rust penetration on the cross

Ways of lifting



LIFTING ADVICE

- The above configuration makes reference to a load being equally distributed inside the whole combined enclosure.
- The above formula serves to have a broad dimensioning of the bar shown in the configuration with five enclosures. This formula doesn't take into account of any factor of safety, hence we recommend to introduce one while choosing the diameter. The meaning of the letter appearing in the formula are: "d" is bar diameter stated in mm, "m" is the theoretical mass to lift stated in kg, "l" is the distance between the two tips of the bar stated in mm where two groups of four ropes are hanging and " σ_{amm} " is the maximum admissible strain stated in MPa (N/mm²).
- The maximum angle between the lifting ropes is 60°.
- Maximum vertical load for every eyebolt: 250 kg. Maximum load with 45° traction: 125 kg.



Customization

SPECIAL ITEMS

The company, being born as mechanical carpenters, could exploit their experience acquired in the area of completely customized products to fulfill the requirements of the most demanding customers. Making use of the most modern laser cutting and welding systems, together with an excellent designing office, they are able to manufacture carpenter's products for electronic use quickly and accurately. The meeting with the customer, the development of the project and the control of the intermediate steps, are the phases to achieve a complete satisfaction in accordance with the laws in force regarding electronic devices and their enclosures.

CUSTOMIZED ITEMS

The departure is our standard product. The goal is a completely customized product in its fundamental parts according to the customer's request. Holes and slots for instruments and push buttons, dimensions, color and special finishes are not a problem. Long experiences of technical designers and CNC programmers aim to achieve the final target.



A large rectangular area containing a hand-drawn sketch of a pen nib at the top center. Below the sketch are approximately 18 horizontal dotted lines, providing a space for notes or additional information.

IP and NEMA degree of protection

IP - International Protection

Currently, it is CEI EN 50298 to rule the relation with classification, characteristic and tests to be done on enclosure for low voltage. This law defines also the degree of protection assignable to every product according to the tests performed by independent certification of probation or through the manufacturer's self certifications. Below a table is shown to help the understanding of the tech code describing the degree of protection. This classification is defined by the law CEI EN 60529.

Degrees of protection against the infiltration of impurities			Degrees of protection against the damaging effects of water		
1 st digit	Brief Description	Definition	2 ^d digit	Brief Description	Definition
0	No protection		0	No protection	
1	Protection against particulate, 50 mm and larger	The probe (a sphere with a diameter of 50 mm) may not fully penetrate the enclosure.	1	Protected against dripping water	Vertically falling water drops shall have no harmful effects
2	Protection against particulate, 12,5 mm and larger	The probe (a sphere with a diameter of 12,5 mm) may not fully penetrate the enclosure.	2	Protected against vertically falling water drops when the enclosure is tilted up to 15 degrees	Vertically falling water drops shall have no harmful effects when the enclosure is tilted at any angle up to 15 degrees
3	Protection against particulate, 2,5 mm and larger	The probe (a sphere with a diameter of 2,5 mm) may not fully penetrate the enclosure.	3	Protected against spraying water	Water sprayed vertically toward either side of the enclosure at an angle of up to 60 degrees shall have no harmful effects
4	Protection against particulate, 1 mm and larger	The probe (a sphere with a diameter of 1 mm) may not fully penetrate the enclosure.	4	Protected against splashing water	Water splashed against the enclosure from any direction shall have no harmful effects
5	Protection against dust	The infiltration of dust is not entirely eliminated. However, dust may not penetrate the enclosure to such an extent that satisfactory functioning of the device or safety is impaired.	5	Protected against water jets	Water projected from a nozzle in jets against the enclosure from any direction shall have no harmful effects
6	Dust-proof	No dust infiltration	6	Protected against powerful water jets	Water projected from a nozzle in powerful water jets against the enclosure from any direction shall have no harmful effects
			7	Protected against the effects of temporary immersion in water	Temporary immersion of the enclosure in water under standardized conditions of pressure and time shall have no harmful effects
			8	Protected against the effects of continuous immersion in water	Continuous immersion of the enclosure in water under conditions that shall be agreed upon between the manufacturer and user but which are more severe than those for numeral 7 shall have no harmful effects

NEMA - National Electrical Manufacturers Association

The National Electrical Manufacturers Association or NEMA is a U.S. association, which was established on September 1, 1926, when the Associated Manufacturers of Electrical Supplies and the Electric Power Club merged. It is headquartered in Rosslyn, Virginia. It sets many common standards used in electrical products among its over 400 members. NEMA has established a range of standards for electrical equipment enclosures. NEMA defines standards for many commonplace electrical interconnects, as well as outlining manufacturing standards for electrical products, such as various grades of electrical enclosures. Exist a kind of correlation between NEMA and IP degrees. **The table shown below allow the conversion from NEMA to IP degrees but not vice versa.**

IP class	NEMA type	NEMA definitions
10	1	General-purpose. Protects against dust, light, and indirect splashing but is not dust-tight; primarily prevents contact with live parts; used indoors and under normal atmospheric conditions.
11	2	Drip-tight. Similar to Type 1 but with addition of drip shields; used where condensation may be severe (as in cooling rooms and laundries).
54	3 and 3S	Weather-resistant. Protects against weather hazards such as rain and sleet; used outdoors on ship docks, in construction work, and in tunnels and subways.
14	3R	Intended for outdoor use. Provides a degree of protection against falling rain and ice formation. Meets rod entry, rain, external icing, and rust-resistance design tests.
56	4 and 4X	Watertight (weatherproof). Must exclude at least 65 GPM of water from 1-in. nozzle delivered from a distance not less than 10 ft for 5 min. Used outdoors on ship docks, in dairies, and in breweries.
52	5	Dust-tight. Provided with gaskets or equivalent to exclude dust; used in steel mills and cement plants.
67	6 and 6P	Submersible. Design depends on specified conditions of pressure and time; submersible in water; used in quarries, mines, and manholes.
	7	Hazardous. For indoor use in Class I, Groups A, B, C, and D environments as defined in the NEC.)
	8	Hazardous. For indoor and outdoor use in locations classified as Class I, Groups A, B, C, and D as defined in the NEC.
	9	Hazardous. For indoor and outdoor use in locations classified as Class II, Groups E, F, or G as defined in the NEC.
	10	MSHA. Meets the requirements of the Mine Safety and Health Administration, 30 CFR Part 18 (1978).
	11	General-purpose. Protects against the corrosive effects of liquids and gases. Meets drip and corrosion-resistance tests.
52	12 & 12K	General-purpose. Intended for indoor use, provides some protection against dust, falling dirt, and dripping non corrosive liquids. Meets drip, dust, and rust resistance tests.
54	13	General-purpose. Primarily used to provide protection against dust, spraying of water, oil, and non corrosive coolants. Meets oil exclusion and rust resistance design tests.

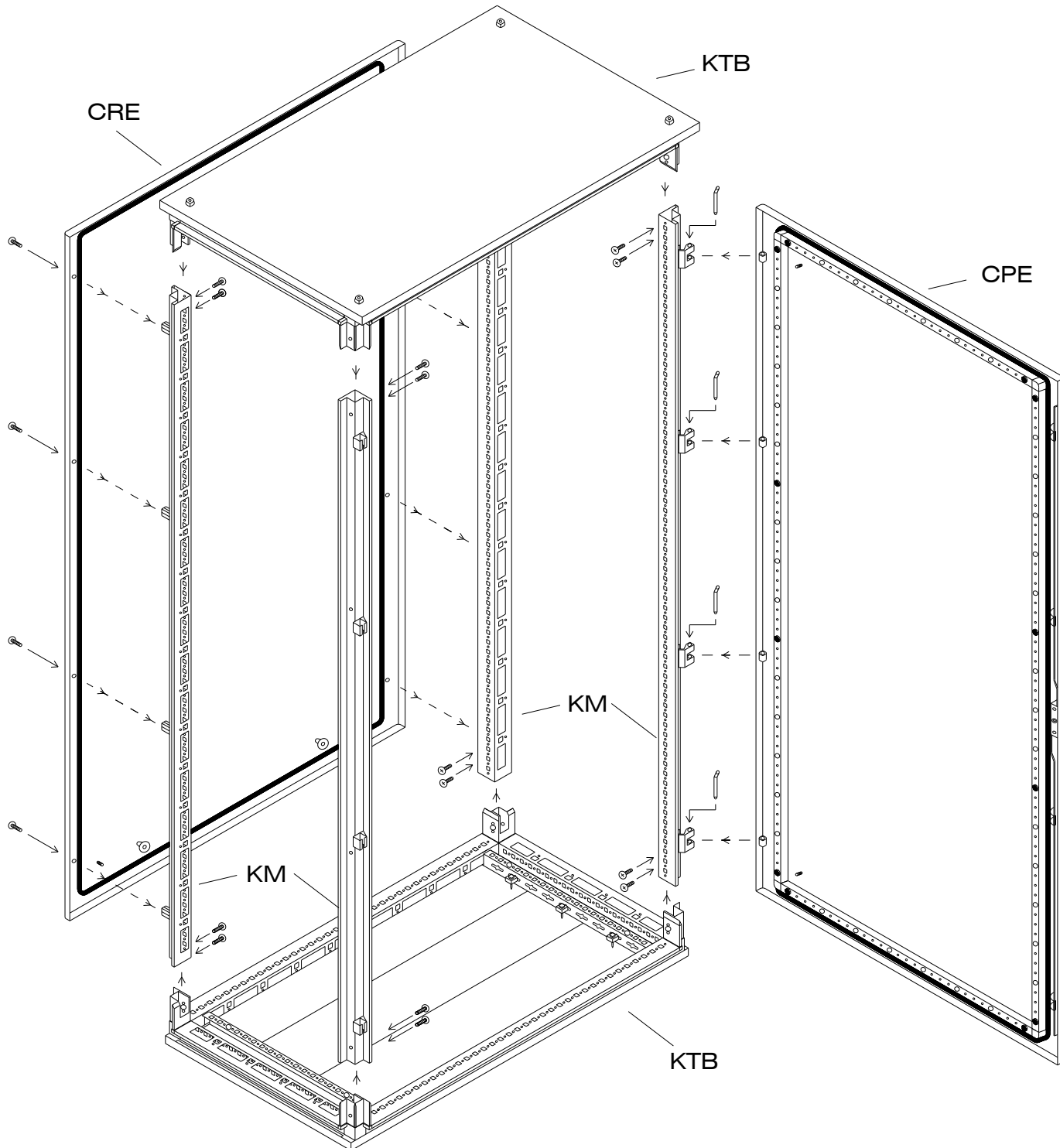
Certifications

Type and model		Degree of protection		Certification for crash energy	Compliance directive low voltage	Drain Current test 25 kA	Drain Current test 80 kA	USA and Canada	Germany	Electro-magnetic agreement	Antis hock
		UE	USA								
		CEI EN 60529	UL50 - UL508		CEI EN 50298	CEI EN 60439-1	CEI EN 60439-1	UL50 - UL508	CEI EN 60529		
Modular enclosure series QE model CONQUEST	CQE	IP 55	Nema type 4	IK 10 CEI EN 50102	CE	ACAE LOVAG	CESI	cULus listed	TÜV	NEMKO	EUCENTRE
	CQE double door		Nema type 12					cURus listed			
	CQE kit		Nema type 4								
	CQE kit double door		Nema type 12								
Box series CE	CE	IP 65 - IP 66	Nema type 4	IK 7	CE			cULus listed	TÜV		EUCENTRE
	CE double door	IP 55	Nema type 12	NFC 2010 1986							
Free standing enclosure	CAE	IP 55	Nema type 4					cULus listed	TÜV		EUCENTRE
One piece desk	PN	IP 55	Nema type 12					cULus listed	TÜV		EUCENTRE
Desk series Modular and VIDEO	Modular Video	IP 55	Nema type 12					cULus listed	TÜV		EUCENTRE
Box series CDE	CDE	IP 66	Nema type 4					cULus listed			
	CDE with flange	IP 55									
	CDE with hinged cover	IP 55									

Our covers are, to all intents and purposed, integral parts of machines and very complex installations. These machines should respect standards and European and National laws. So that it may happen, their components should meet requirements to determined characteristic. For example the reference rule for DKC products is CEI EN 50298 whose title is: "Empty enclosures for low-voltage switchgear and controlgear assemblies". This rule tells that the enclosure that composes wired electric cabinet must have precise mechanic and electromagnetic characteristics. Independent certification agencies perform special tests on enclosures in order to determine the requested features.



Enclosure in mounting kit



How to order

SINGLE ENCLOSURE assembled version

A single enclosure is generally composed of its frame and others accessories.

For example, suppose you want to order a sectional enclosure Conquest series with the following sizes:

height 2000 mm

width 800 mm

depth 600 mm

First of all you have to go to the page corresponding to the enclosure with height 2000 mm, then search the item code in the table matching your size. On our example the right item code is R5CQE2086. The supply for assembled version includes: vertical frame, roof, base, bottom, back panel and blind door and complete locking system with Ø 3 mm double-comb insert.

If the enclosure is single you need also a couple of lateral panels. Go to the corresponding page and search in the table the lateral panel matching with the sizes of enclosure (in this case it is 2000 mm high and 600 mm deep). The right code for lateral panel is R5LE2062. Please remember that the panels are sold in couple, so you need only one package for every single enclosure. Now you can decide to buy a mounting plate. Go to the corresponding page and search in the table the mounting plate matching the sizes of enclosure (in this case it is 2000 mm high and 600 mm deep). The right code for mounting plate is RZPCE2080. Another accessory generally bought together with the enclosure is the base. For every enclosure you can choose between 100 or 200 mm high base. Suppose that you want a 100 mm base.

Go to the corresponding page and search in the table. In that double inlet table you should go to the column of 100 mm height, than search the size matching your depth (column) and width (row). The right item code is R1ZE861.

Moreover you can choose to order several other accessories. Some of this are independent from the sizes of the enclosure such lifting eyebolts RZA33 or three-phase flashing lamp RAMC02, whereas for other accessories you need to know where they will be installed.

If you want to order a desk section, go to the corresponding page and search in the table the row of corresponding width. In this case the right code is R5LE800. Some accessories can't be mounted on all enclosure. An example is the rack frame 19" total. As you can see, it can be mounted only in enclosures with 600, 800 or 1000 mm width. Moreover, it isn't available for all the heights but only for 1600, 1800, 2000 and 2200 mm. In this case the right code is R5TIE2080

codice	dimensioni armadio		
	altezza H	larghezza L	profondità P
R5CQE2044'	400		400
R5CQE2045'			500
R5CQE2046'			600
R5CQE2048'			800
R5CQE2064'	600		400
R5CQE2065'			500
R5CQE2066'			600
R5CQE2068'			800
R5CQE2084'	800		400
R5CQE2085'			500
R5CQE2086'			600
R5CQE2088'			800
R5CQE20104'	1000		400
R5CQE20105'			500
R5CQE20106'			600
R5CQE20108'	2000		800

codice	dimensioni armadio		dimensioni A
	altezza H	larghezza L	
R5LE1442	1400	400	1361
R5LE1452		500	
R5LE1642	1600	400	1561
R5LE1652		500	
R5LE1842	1800	400	1761
R5LE1852		500	
R5LE1862		600	
R5LE1882		800	
R5LE2042	2000	400	1961
R5LE2052		500	
R5LE2062		600	
R5LE2082		800	
R5LE2252	2200	500	2161
R5LE2262		600	

codice	dimensioni armadio	
	altezza H	larghezza L
RZPCE1460	1400	600
RZPCE1480		800
RZPCE14120		1200
RZPCE14160		1600
RZPCE1640	1600	400
RZPCE1660		600
RZPCE1680		800
RZPCE16100		1000
RZPCE16120	1200	
RZPCE1830	1800	300
RZPCE1840		400
RZPCE1860		600
RZPCE1880		800
RZPCE18100	1000	
RZPCE18120	1200	
RZPCE2030	2000	300
RZPCE2040		400
RZPCE2060		600
RZPCE2080		800
RZPCE20100	1000	
RZPCE20120	1200	

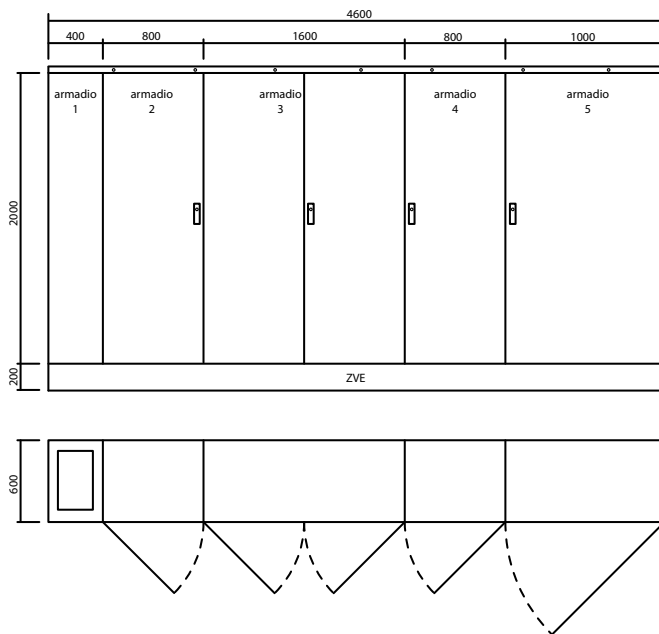
codice	larghezza armadio
R5LE600	600
R5LE800	800
R5LE1000	1000
R5LE1200	1200

codice	altezza armadio
R5TIE1680	1600
R5TIE1880	1800
R5TIE2080	2000
R5TIE2280	2200

dim. armadio profond. largh.	Altezza 100 mm			
	400	500	600	800
200		• R1ZE251	• R1ZE621	• R1ZE861
400	R1ZE441	R1ZE451	R1ZE641	R1ZE841
600	R1ZE641	R1ZE651	R1ZE661	R1ZE861
800	R1ZE841	R1ZE851	R1ZE861	R1ZE881
1000	R1ZE1041	R1ZE1051	R1ZE1061	R1ZE1081
1200	R1ZE1241	R1ZE1251	R1ZE1261	R1ZE1281

COMBINED ENCLOSURES assembled version

Combined enclosures are composed of more enclosures assembled together in order to be strongly connected. Generally all enclosures belonging to the same set have also the same height and the same depth. For example, suppose that you want to order a set of enclosure as follows:



code	quantity	note
R5CQE2046S	1	enclosure 1
R5CQE2086	2	enclosure 2 e 4
R5CQE20166	1	enclosure 3
R5CQE20106	1	enclosure 5
RZPCE2080	2	mount. panel for enclosure 2 and 4
RZPCE20160	1	mounting panel for enclosure 3
RZPCE20100	1	mounting panel for enclosure 5
RZKE65	4	combining kit
R5LE2062	1	couple of lateral panel for set
R5CRE2040	2	front and rear for enclosure 1
R1TSE01	4,6	lifting crossbeam
R1ZVE62	4,6	bottom closed transport base
R5AE22	4	labour for combining enclosures
		color RAL 7035

In this case, the joining enclosures are composed of 5 enclosures 2000 mm high and 600 mm deep, a couple of lateral panels (2 pcs package), a bottom closed transport base and the corresponding lifting crossbeam. For every junction between two side-by-side enclosures, a joining kit R5KE65 and its corresponding labour R5AE22 should be ordered. Enclosure 1, being 400 mm wide, is considered a cable inlet module and hence its roof has an inlet hole and its gland plate is supplied as well. This type of enclosure is sold in the version “frame only”, hence it has only vertical frame, base, bottom and roof. So, to plug up its front and its back you can decide to use back panels or doors. Following the above drawing you must buy two back panels. It is recommended to provide with front layout together with a top layout. By this way you can see the door opening directions. Otherwise we will follow our standard way, i.e. with handle on the left of the door as you can see on enclosure 4. When you place the order, please specify also the colour. At present our standard colour are RAL 7035 for frame, lateral panel, back panel and door, and RAL 7011 for roof, base, bottom and base, all colour are textured finish.

Index

Symbols

19" front closing panel with DIN slot
157

19" rack frame partial - width 800
153

19" rack frame total centered - width 800 **151**

19" rack frame total - width 600 **150**

19" rack frame total - width 800 **149**

19" rack frame total - width 1000
152

19" rack panel **156**

A

Accessories for modularity **187**

Adapter for punched panel connector
161

Additional box accessories **19**

Additional mounting plate **124**

Additional mounting plate for desk
box **52**

Air filter **167**

Antiseismic base **134**

B

Back panel **83, 118**

Back rack frame **157**

Back-to-back combining kit **140**

Bases for CAE **76**

Bases for CQE **135**

Bases for desk **54**

Basin base **137**

Bent lifting crossbeam **141**

Big handle **123**

Blind door **77, 111**

Blind modular door **177**

Box accessories model CDE **31**

Box depth 150 **5**

Box depth 200 **7**

Box depth 250 **9**

Box depth 300 **11**

Box depth 400 **13**

Box for VIDEO desk **43**

Box model CDE **28**

Box model CE **4**

C

Cable inlet module with front opening
107

CAE accessories **73**

CAE compact enclosures **57**

CAE height 1000 **59**

CAE height 1200 **61**

CAE height 1400 **63**

CAE height 1600 **65**

CAE height 1800 **67**

CAE height 2000 **69**

Canopy **20**

Certifications **193**

Chime handle **26**

Combination angle **141**

Combination kit **139**

Compact PN desk **35**

Compensation plate **175, 185**

Corner enclosures **110**

Cover for SECTIONAL and VIDEO box
50

CQE Accessories **105**

CQE and CAE inner modularity **179**

CQE and CAE outer modularity **171**

CQEC enclosure for PC **89**

CQE height 1400 **93**

CQE height 1600 **95**

CQE height 1800 **97**

CQE height 2000 **99**

CQE height 2200 **101**

CQE KIT version **103**

Cross reinforcement for PCE **79**

Customization **191**

D

Desk accessories **49**

Desk eyebolts **51**

Desk locking devices **53**

Desk section **147**

Desk use opportunities **56**

Din rails **32**

Door interlock **121**

Door lock **19**

Door rails **51, 121**

Door stay **122**

Door with din modular slot **175**

Double blind door **112**

Double door boxes **15**

E

Earthing strap **165**

Enclosure base **133**

Exhaust no-fan top mounting **170**

F

Fans **167**

Fix and pull-out shelf **148**

Fixing devices for vertical frame rack
158

Fixing kit eyelet + eyelet **161**

Fixing kit eyelet + M8 thread **161**

Flat combining kit **160**

Flat plate for CDE boxes **31**

Floor fixing kit for base **138**

Fluorescent lamp **165**

Foam inlet pipe **75, 134**

Frame 19" "C" shaped vertical rack
154

Frame 19" "L" shaped vertical rack
155

Frontal crossrail H 30 mm **145**

Front rails **143**

G

Glazed door **81, 113**

Index

Glazed door boxes **17**
 Glazed sectional door **178**

H

Hinge for CDE boxes **32**
 Hinges 180° **122**
 Horizontal CAE **71**
 Horizontal door rails **19**
 Hot rolled steel section lifting crossbeam **141**
 How to order **195**

I

Inner door **21, 119**
 Inner modularity with lateral plate 200 mm **186**
 Intermediate mounting plate **133**
 Internal crossrail H 30 mm **145**
 Internal door **73**
 IP and NEMA degree of protection **192**

K

Kit for mounting plate setback **86**

L

Large handle **87**
 Laser cutting system **188**
 Lateral crossrail H 30 mm **144**
 Levelling kit 0 ÷ 50 mm **162**
 Levelling kit 50 ÷ 100 mm **162**
 Lifting eyebolts **75, 142**
 Lifting standards **190**
 "L" shaped combining kit **160**

M

Micro-switch **88, 166**
 Mobile base **138**
 Monolith top mounting **105**
 Mounting plate **79, 125**
 Mounting plate back moving kit **160**

Mounting plate supporting kit **86, 159**

P

Parker screw M4,8x12 **163**
 Partial and totale vertical plate **184**
 Partial and total horizontal plate **173, 181**
 Partial and total horizontal rail **174, 182**
 Partial mounting plate **129**
 Partila and total vertical plate **177**
 Plan holding plastic pocket **53**
 Plan holding pockets **148**
 Plug panel **186**
 Powder coating **189**
 Pressure gas spring **55**
 Punched panel for connectors **132**

R

Rabbet for sectional door **175**
 Rabbet for sectional inner door **183**
 Rack frame stop **158**
 Rack swing frame **25**
 Rail for cable fixing **146**
 Regulation device **159**
 Reinforcement cross for PCE **125**
 Reinforcement cross for PCSE **127**
 Reversible plate **185**

S

SECTIONAL cabinets CQE **91**
 SECTIONAL desk box **37**
 SECTIONAL desk riser **41**
 Sectional kit **23**
 Sectional monting plate **183**
 Sectional mounting plate **176**
 Sectional panels **185**
 Sectional top mounting **106**
 SECTIONAL, VIDEO and PN desks **33**

Section base **136**
 Shelf for SECTIONAL desk **39**
 Shelf for VIDEO desk **45**
 Shelf mounting plate **49**
 Side door **116**
 Side panels **115**
 Side rails **143**
 Sideways inserted mounting plate **127**
 Special COST.E.L. nuts M6 and M8 **163**
 Spray paint **164**
 Square handle **26**
 Support for rack devices **156**

T

Thermostat **164**
 Three phase flashing lamp **166**
 Top exhaust uptakes **169**
 Transformer holder **146**
 Turn handle **87, 123**
 Twin castor **139**

V

Ventilation **167**
 Vertical frame for sectional plate **184**
 Vertical framework **175, 186**
 Vertical partition **131**
 Vertical rails **144**
 VIDEO desk riser **47**

W

Wall mounting brackets **19, 32**
 Wall mounting brackets for CAE **85**
 Working desk **85, 147**

Table of Weights

Code	Weight (Kg)	Page
R5APC600	22	41
R5APC800	27	41
R5APC1000	33	41
R5APC1200	38	41
R5APC1600	49	41
R5APV600	26	41
R5APV800	32	41
R5APV1000	37,8	41
R5APV1200	43,5	41
R5APV1600	56,3	41
R5CAE10630	29	59
R5CAE10640	40	59
R5CAE10830	39	59
R5CAE10840	53	59
R5CAE101030	51	59
R5CAE101040	69	59
R5CAE12630	33	61
R5CAE12640	38	61
R5CAE12830	38	61
R5CAE12840	43,5	61
R5CAE121030	43	63
R5CAE121040	49,5	63
R5CAE14630	36,5	63
R5CAE14640	42	63
R5CAE14830	43	63
R5CAE14840	49	63
R5CAE141030	48	63
R5CAE141040	55	63
R5CAE16630	41	65
R5CAE16640	46,5	65
R5CAE16830	47	65
R5CAE16840	53,5	65
R5CAE161030	54	65
R5CAE161040	60	65
R5CAE18630	46	68
R5CAE18640	52,5	68
R5CAE18650	57	68
R5CAE18660	63,5	68
R5CAE18830	51,5	68
R5CAE18840	58,5	68
R5CAE18850	62	68
R5CAE18860	69	68
R5CAE181040	65	68
R5CAE181050	69	68
R5CAE181060	76,5	68
R5CAE181240	73	68
R5CAE181250	76,5	68
R5CAE181260	84	68
R5CAE20630	48,5	70
R5CAE20640	55,5	70
R5CAE20650	62,5	70
R5CAE20660	69,5	70
R5CAE20830	55,5	70
R5CAE20840	63,5	70
R5CAE20850	70,5	70
R5CAE20860	78	70

Code	Weight (Kg)	Page
R5CAE201040	71,5	70
R5CAE201050	79	70
R5CAE201060	87	70
R5CAE201240	80	70
R5CAE201250	87,5	70
R5CAE201260	96	70
R5CAE81240	44,5	71
R5CAE101240	50,5	71
R5CAE101440	56	71
R5CAE101640	61	71
R5CDE11120	1,8	29
R5CDE1180	1,5	29
R5CDE22120	2,6	29
R5CDE22120C	2,4	29
R5CDE2280	2,2	29
R5CDE2280C	2,1	29
R5CDE31120	2,8	29
R5CDE32120	3,4	29
R5CDE32120C	3,4	29
R5CDE32120F	3,8	29
R5CDE3280	2,9	29
R5CDE3280C	2,8	29
R5CDE33120	4,7	29
R5CDE33120C	4,7	29
R5CDE33120F	5	29
R5CDE42120	4,2	29
R5CDE42120C	4,3	29
R5CDE42120F	4,3	29
R5CDE4280	3,5	29
R5CDE4280C	3,6	29
R5CDE43120	5,7	29
R5CDE43120C	5,1	29
R5CDE43120F	6,1	29
R5CDE44120	6,9	29
R5CDE44120F	7,5	29
R5CDE52120	5,1	29
R5CDE52120C	5	29
R5CDE52120F	5,4	29
R5CDE53120	6,5	29
R5CDE53120F	7,4	29
R5CDE62120	5,9	29
R5CDE62120F	6,4	29
R5CDE6280	5	29
R5CDE63120	7,1	29
R5CDE63120F	7,6	29
R5CDE64120	10	29
R5CDE64120F	10	29
R5CDE82120	7,1	29
R5CDE82120F	8,3	29
R5CDE8280	6,8	29
R5CDE84120	12,9	29
R5CDE84120F	13,3	29
R5CE0331	6,2	5
R5CE0341	7,6	5
R5CE0391	5,3	5
R5CE0431	7,8	5

Code	Weight (Kg)	Page
R5CE0531	9,5	5
R5CE0432	8,6	7
R5CE0442	10,6	7
R5CE0462	15,4	7
R5CE0532	10,6	7
R5CE0542	13,2	7
R5CE0552	16	7
R5CE0642	15,5	7
R5CE0752	21	7
R5CE0549	14,4	9
R5CE0649	17	9
R5CE0669	23	9
R5CE0759	22	9
R5CE0869	28,8	9
R5CE1069	38,5	9
R5CE0863	31,2	11
R5CE0883	40,5	11
R5CE1063	41	11
R5CE1083	51,5	11
R5CE1263	48	11
R5CE1283	80,5	11
R5CE1463	56	11
R5CE1483	70,6	11
R5CE0644	21,8	13
R5CE0664	29,3	13
R5CE0864	37	13
R5CE0884	46	13
R5CE1064	44,5	13
R5CE1084	55,7	13
R5CE0683	32	15
R5CE0812	47	15
R5CE0813	52,5	15
R5CE1013	62	15
R5CE12123	85	15
R5CE1213	73	15
R5CE1413	83	15
R5CEX0432	8	199
R5CEX0442	10,6	199
R5CEX0462	15,5	199
R5CEX0532	9,5	199
R5CEX0542	12,6	199
R5CEX0549	14	199
R5CEX0552	15,8	199
R5CEX0642	15	199
R5CEX0649	16,5	199
R5CEX0669	22,5	199
R5CEX0752	19,5	199
R5CEX0759	21	199
R5CEX0863	30	199
R5CEX0869	27	199
R5CEX1063	37	199
R5CEX1069	34	199
R5CEX1083	46	199
R5CEX1263	42	199
R5CEX1283	52	199
R5CPC600	30	37

Code	Weight (Kg)	Page
R5CPC800	40	37
R5CPC1000	47,5	37
R5CPC1200	50	37
R5CPC1600	70	37
R5CPE10100	20,7	78
R5CPE10120	27,1	70
R5CPE10140	31,3	71
R5CPE10160	35,4	71
R5CPE1060	13,7	78
R5CPE1080	17,2	78
R5CPE12100	24,4	78
R5CPE1260	15,9	78
R5CPE1280	20,1	78
R5CPE14100	28	78
R5CPE14120	36,9	111
R5CPE14160	48,1	111
R5CPE1460	18,3	78
R5CPE1480	23,1	78
R5CPE16100	31,6	78
R5CPE16120	38,5	111
R5CPE1640	15,5	111
R5CPE1660	20,7	78
R5CPE1680	26,1	78
R5CPE18100	35,2	78
R5CPE18120	45,6	78
R5CPE1830	13	111
R5CPE1840	17,2	111
R5CPE1860	25,9	78
R5CPE1880	29,1	78
R5CPE20100	38,7	78
R5CPE20120	50,4	78
R5CPE20140	66,7	111
R5CPE20160	78,4	111
R5CPE2030	14,3	111
R5CPE2040	19	111
R5CPE2060	28,6	78
R5CPE2080	32,1	78
R5CPE22100	42,5	111
R5CPE22120	52,9	111
R5CPE2230	15,4	111
R5CPE2240	20,7	111
R5CPE2260	31,4	111
R5CPE2280	35,2	111
R5CPE1481	26,5	112
R5CPE16101	35,3	112
R5CPE1681	29,9	112
R5CPE18101	39,4	112
R5CPE1881	33,3	112
R5CPE20101	43,3	112
R5CPE2081	36,7	112
R5CPE22101	47,6	112
R5CPE2281	40,3	112
R5CPV600	35	43
R5CPV800	42,3	43
R5CPV1000	50,6	43
R5CPV1200	58	43

Code	Weight (Kg)	Page
R5CPV1600	73,4	43
R5CQE1464	57	93
R5CQE1465	60	93
R5CQE1484	69	93
R5CQE1485	72	93
R5CQE14124	95	93
R5CQE14125	100	93
R5CQE14164	122	93
R5CQE14165	129	93
R5CQE1644	48,3	95
R5CQE1645	51	95
R5CQE1646	53	95
R5CQE1664	61	95
R5CQE1665	63	95
R5CQE1666	66	95
R5CQE1684	74	95
R5CQE1685	76,5	95
R5CQE1686	79	95
R5CQE16104	87	95
R5CQE16105	90	95
R5CQE16106	93,5	95
R5CQE16124	101	95
R5CQE16125	105	95
R5CQE16126	108,5	95
R5CQE1844	53	98
R5CQE1845	55,5	98
R5CQE1846	58	98
R5CQE1848	60,5	98
R5CQE1864	69,5	98
R5CQE1865	71,5	98
R5CQE1866	74,5	98
R5CQE1868	79	98
R5CQE1884	80,5	98
R5CQE1885	83,5	98
R5CQE1886	87	98
R5CQE1888	92,5	98
R5CQE18104	94,5	98
R5CQE18105	98	98
R5CQE18106	103	98
R5CQE18108	108	98
R5CQE18124	112	98
R5CQE18125	116,5	98
R5CQE18126	121	98
R5CQE18128	129	98
R5CQE2044	56,5	100
R5CQE2045	59	100
R5CQE2046	61,5	100
R5CQE2048	64	100
R5CQE2064	75,5	100
R5CQE2065	78	100
R5CQE2066	81	100
R5CQE2068	85,5	100
R5CQE2084	87	100
R5CQE2085	90	100
R5CQE2086	93,5	100
R5CQE2088	99,5	100

Table of Weights

Code	Weight (Kg)	Page
R5CQE20104	102	100
R5CQE20105	106	100
R5CQE20106	118	100
R5CQE20108	114	100
R5CQE20124	121	100
R5CQE20125	127	100
R5CQE20126	133	100
R5CQE20128	139	100
R5CQE20144	144	100
R5CQE20145	150	100
R5CQE20146	156	100
R5CQE20148	168,5	100
R5CQE20164	160	100
R5CQE20165	167,5	100
R5CQE20166	175	100
R5CQE20168	189,5	100
R5CQE2245	64,5	100
R5CQE2246	66,5	100
R5CQE2248	70,5	100
R5CQE2265	84	100
R5CQE2266	86,5	100
R5CQE2268	91,5	100
R5CQE2285	97	100
R5CQE2286	100	100
R5CQE2288	106	100
R5CQE22105	114	100
R5CQE22106	117	100
R5CQE22108	123	100
R5CQE22125	135,5	100
R5CQE22126	140	100
R5CQE22128	153	100
R5CRE10100	12,8	118
R5CRE1060	8	118
R5CRE1080	10,4	118
R5CRE12100	15,2	118
R5CRE1260	9,5	118
R5CRE1280	12,4	118
R5CRE14100	17,6	118
R5CRE14120	21	118
R5CRE14160	28,2	118
R5CRE1460	11,1	118
R5CRE1480	14,3	118
R5CRE16100	20,1	118
R5CRE16120	24,1	118
R5CRE1640	8,8	118
R5CRE1660	12,4	118
R5CRE1680	16,3	118
R5CRE18100	22,6	118
R5CRE18120	26,8	118
R5CRE1830	7,1	118
R5CRE1840	9,4	118
R5CRE1860	14	118
R5CRE1880	18,3	118
R5CRE20100	25,1	118
R5CRE20120	29,8	118
R5CRE20140	35	118

Code	Weight (Kg)	Page
R5CRE20160	44	118
R5CRE2030	8,5	118
R5CRE2040	10,8	118
R5CRE2060	15,5	118
R5CRE2080	20,2	118
R5CRE22100	27,6	118
R5CRE22120	32,9	118
R5CRE2230	9,3	118
R5CRE2240	11,9	118
R5CRE2260	17,2	118
R5CRE2280	22,4	118
R5LE1442	13,3	115
R5LE1452	16,6	115
R5LE1642	15,3	115
R5LE1652	19	115
R5LE1662	22,8	115
R5LE1682	30,3	115
R5LE1842	17,2	115
R5LE1852	21,4	115
R5LE1862	25,6	115
R5LE1882	34	115
R5LE2042	19	115
R5LE2052	23,7	115
R5LE2062	28,4	115
R5LE2082	37,8	115
R5LE2252	26,1	115
R5LE2262	31,2	115
R5LE2282	41,5	115
R5MPC600	17	39
R5MPC800	21	39
R5MPC1000	25	39
R5MPC1200	29	39
R5MPC1600	37	39
R5MPV600	19,2	45
R5MPV800	23,4	45
R5MPV1000	27,5	45
R5MPV1200	31,6	45
R5MPV1600	40,8	45
R5PN600	47	35
R5PN800	58	35
R5PN1000	70	35
R5PN1200	80,5	35
R5PN1600	103	35
R5PN2000	125,5	35
RZPCE10100	18,8	126
RZPCE10120	22,9	126
RZPCE10140	26,9	126
RZPCE10160	31	126
RZPCE1060	10,7	126
RZPCE1080	14,4	126
RZPCE12100	21,9	126
RZPCE1260	12,9	126
RZPCE1280	17,4	126
RZPCE14100	25,7	126
RZPCE14120	36,2	126
RZPCE14160	51,3	126

Code	Weight (Kg)	Page
RZPCE1460	15,2	126
RZPCE1480	20,4	126
RZPCE16100	29,4	126
RZPCE16120	41,7	126
RZPCE1640	11,3	126
RZPCE1660	17,4	126
RZPCE1680	23,4	126
RZPCE18100	33,3	126
RZPCE18120	47,7	126
RZPCE1830	10	126
RZPCE1840	13	126
RZPCE1860	19,6	126
RZPCE1880	26,4	126
RZPCE20100	37	126
RZPCE20120	53,1	126
RZPCE20140	66	126
RZPCE20160	75	126
RZPCE2030	10,6	126
RZPCE2040	14,2	126
RZPCE2060	21,8	126
RZPCE2080	29,4	126
RZPCE22100	40,8	126
RZPCE22120	58,6	126
RZPCE2230	11,5	126
RZPCE2240	15,6	126
RZPCE2260	24	126
RZPCE2280	32,4	126

Index of codes

Code	Page	Code	Page	Code	Page	Code	Page	Code	Page	Code	Page
R1A46	138	R1ZE1461	135	R1ZUE61	136	R5CAE18630	68	R5CDE44120F	29	R5CE1463	11
R1A47	138	R1ZE1462	135	R1ZUE62	136	R5CAE18640	68	R5CDE52120	29	R5CE1483	11
R1A48	138	R1ZE1481	135	R1ZUE81	136	R5CAE18650	68	R5CDE52120C	29	R5CEX0432	18
R1A49	138	R1ZE1482	135	R1ZUE82	136	R5CAE18660	68	R5CDE52120F	29	R5CEX0442	18
R1CE248	122	R1ZE1641	135	R1ZVE41	137	R5CAE18830	68	R5CDE53120	29	R5CEX0462	18
R1KTB104	103-104	R1ZE1642	135	R1ZVE42	137	R5CAE18840	68	R5CDE53120F	29	R5CEX0532	18
R1KTB105	103-104	R1ZE1651	135	R1ZVE51	137	R5CAE18850	68	R5CDE62120	29	R5CEX0542	18
R1KTB106	103-104	R1ZE1652	135	R1ZVE52	137	R5CAE18860	68	R5CDE62120F	29	R5CEX0549	18
R1KTB108	103-104	R1ZE1661	135	R1ZVE61	137	R5CAE201040	70	R5CDE6280	29	R5CEX0552	18
R1KTB124	103-104	R1ZE1662	135	R1ZVE62	137	R5CAE201050	70	R5CDE63120	29	R5CEX0642	18
R1KTB125	103-104	R1ZE1681	135	R1ZVE81	137	R5CAE201060	70	R5CDE63120F	29	R5CEX0649	18
R1KTB126	103-104	R1ZE1682	135	R5APC1000	41	R5CAE201240	70	R5CDE64120	29	R5CEX0669	18
R1KTB128	104	R1ZE251	135	R5APC1200	41	R5CAE201250	70	R5CDE64120F	29	R5CEX0752	18
R1KTB144	104	R1ZE252	135	R5APC1600	41	R5CAE201260	70	R5CDE82120	29	R5CEX0759	18
R1KTB145	104	R1ZE261	135	R5APC600	41	R5CAE20630	70	R5CDE82120F	29	R5CEX0863	18
R1KTB146	104	R1ZE262	135	R5APC800	41	R5CAE20640	70	R5CDE8280	29	R5CEX0869	18
R1KTB148	103-104	R1ZE281	135	R5APV1000	47	R5CAE20650	70	R5CDE84120	29	R5CEX1063	18
R1KTB164	103-104	R1ZE282	135	R5APV1200	47	R5CAE20660	70	R5CDE84120F	29	R5CEX1069	18
R1KTB165	104	R1ZE441	135	R5APV1600	47	R5CAE20830	70	R5CE0331	5	R5CEX1083	18
R1KTB166	104	R1ZE442	135	R5APV600	47	R5CAE20840	70	R5CE0341	5	R5CEX1263	18
R1KTB168	103-104	R1ZE451	135	R5APV800	47	R5CAE20850	70	R5CE0391	5	R5CEX1283	18
R1KTB44	103	R1ZE452	135	R5CAE101030	59	R5CAE20860	70	R5CE0431	5	R5CPC1000	37
R1KTB44	104	R1ZE631	76	R5CAE101040	59	R5CAE81240	71	R5CE0432	7	R5CPC1200	37
R1KTB45	103-104	R1ZE632	76	R5CAE101240	71	R5CAE81440	71	R5CE0442	7	R5CPC1600	37
R1KTB46	103-104	R1ZE641	76	R5CAE101440	71	R5CAE81640	71	R5CE0462	7	R5CPC600	37
R1KTB48	103-104	R1ZE642	76	R5CAE101640	71	R5CAE81840	71	R5CE0531	5	R5CPC800	37
R1KTB64	103-104	R1ZE651	76	R5CAE101840	71	R5CAE82040	71	R5CE0532	7	R5CPCE10120	71
R1KTB65	103-104	R1ZE652	76	R5CAE102040	71	R5CC1000	50	R5CE0542	7	R5CPCE10140	71
R1KTB66	103-104	R1ZE661	76	R5CAE10630	59	R5CC1200	50	R5CE0549	9	R5CPCE10160	71
R1KTB68	103-104	R1ZE661	90	R5CAE10640	59	R5CC1600	50	R5CE0552	7	R5CPCE10180	71
R1KTB84	103-104	R1ZE662	76-90	R5CAE10830	59	R5CC600	50	R5CE0642	7	R5CPCE10200	71
R1KTB85	103-104	R1ZE831	76	R5CAE10840	59	R5CC800	50	R5CE0644	13	R5CPCE10100	78
R1KTB86	103-104	R1ZE832	76	R5CAE121030	61	R5CDE11120	29	R5CE0649	9	R5CPCE1060	78
R1KTB88	104	R1ZE841	76	R5CAE121040	61	R5CDE1180	29	R5CE0664	13	R5CPCE1080	78
R1TSE01	141	R1ZE842	76	R5CAE12630	61	R5CDE22120	29	R5CE0669	9	R5CPCE12100	78
R1TSE03	141	R1ZE851	76	R5CAE12640	61	R5CDE22120C	29	R5CE0683	15	R5CPCE1260	78
R1ZAE	134	R1ZE852	76	R5CAE12830	61	R5CDE2280	29	R5CE0752	7	R5CPCE1280	78
R1ZE1041	76	R1ZE861	76-90	R5CAE12840	61	R5CDE2280C	29	R5CE0759	9	R5CPCE14100	78
R1ZE1042	76	R1ZE862	76-90	R5CAE141030	63	R5CDE31120	29	R5CE0812	15	R5CPCE14120	111
R1ZE1051	76	R1ZE881	90	R5CAE141040	63	R5CDE32120	29	R5CE0813	15	R5CPCE14160	111
R1ZE1052	76	R1ZE882	90	R5CAE14630	63	R5CDE32120C	29	R5CE0863	11	R5CPCE1460	78-111
R1ZE1061	76	R1ZP1038	35-54	R5CAE14640	63	R5CDE32120F	29	R5CE0864	13	R5CPCE1480	78-111
R1ZE1062	76	R1ZP1238	35-54	R5CAE14830	63	R5CDE3280	29	R5CE0869	9	R5CPCE1481	112
R1ZE1081	76	R1ZP1638	35-54	R5CAE14840	63	R5CDE3280C	29	R5CE0883	11	R5CPCE16100	78-111
R1ZE1082	76	R1ZP2038	35-54	R5CAE161030	65	R5CDE33120	29	R5CE0884	13	R5CPCE16101	112
R1ZE1241	76	R1ZP638	35-54	R5CAE161040	65	R5CDE33120C	29	R5CE1013	15	R5CPCE16120	111
R1ZE1242	76	R1ZP838	35	R5CAE16630	65	R5CDE33120F	29	R5CE1063	11	R5CPCE1640	111
R1ZE1251	76	R1ZPV1045	45	R5CAE16640	65	R5CDE42120	29	R5CE1064	13	R5CPCE1660	78-111
R1ZE1252	76	R1ZPV1245	45	R5CAE16830	65	R5CDE42120C	29	R5CE1069	9	R5CPCE1680	78-111
R1ZE1261	76	R1ZPV1645	45	R5CAE16840	65	R5CDE42120F	29	R5CE1083	11	R5CPCE1681	112
R1ZE1262	76	R1ZPV645	45	R5CAE181040	68	R5CDE4280	29	R5CE1084	13	R5CPCE18100	78-111
R1ZE1281	76	R1ZPV845	45	R5CAE181050	68	R5CDE4280C	29	R5CE12123	15	R5CPCE18101	112
R1ZE1282	76	R1ZUE41	136	R5CAE181060	68	R5CDE43120	29	R5CE1213	15	R5CPCE18120	78-111
R1ZE1441	135	R1ZUE42	136	R5CAE181240	68	R5CDE43120C	29	R5CE1263	11	R5CPCE1830	111
R1ZE1442	135	R1ZUE51	136	R5CAE181250	68	R5CDE43120F	29	R5CE1283	11	R5CPCE1840	111
R1ZE1452	135	R1ZUE52	136	R5CAE181260	68	R5CDE44120	29	R5CE1413	15	R5CPCE1860	78-111

Index of codes

Code	Page	Code	Page	Code	Page	Code	Page	Code	Page	Code	Page
R5CPE1880	78-111	R5CPMIE6800	178	R5CQE16104	95	R5CQE18126S	98	R5CQE20126S	100	R5CQE22105S	101
R5CPE1881	112	R5CPMIE8400	178	R5CQE16104S	95	R5CQE18128	98	R5CQE20128	100	R5CQE22105X	101
R5CPE20100	78-111	R5CPMIE8600	178	R5CQE16104X	95	R5CQE18128S	98	R5CQE20128S	100	R5CQE22106	101
R5CPE20101	112	R5CPMIE8800	178	R5CQE16105	95	R5CQE1834S	108	R5CQE20144	100	R5CQE22106S	101
R5CPE20120	78-111	R5CPMTE6400	178	R5CQE16105S	95	R5CQE1835S	108	R5CQE20144S	100	R5CQE22106X	101
R5CPE20140	111	R5CPMTE6600	178	R5CQE16105X	95	R5CQE1836S	108	R5CQE20145	100	R5CQE22108	101
R5CPE20160	111	R5CPMTE6800	178	R5CQE16106	95	R5CQE1838S	108	R5CQE20145S	100	R5CQE22108S	101
R5CPE2030	111	R5CPMTE8400	178	R5CQE16106S	95	R5CQE1844	98	R5CQE20146	100	R5CQE22108X	101
R5CPE2040	111	R5CPMTE8600	178	R5CQE16106X	95	R5CQE1844S	98-108	R5CQE20146S	100	R5CQE22125	101
R5CPE2060	78-111	R5CPMTE8800	178	R5CQE16124	95	R5CQE1845	98	R5CQE20148	100	R5CQE22125S	101
R5CPE2080	78-111	R5CPTE10100	82	R5CQE16124S	95	R5CQE1845S	98-108	R5CQE20148S	100	R5CQE22126	101
R5CPE2081	112	R5CPTE1060	82	R5CQE16125	95	R5CQE1846	98	R5CQE20164	100	R5CQE22126S	101
R5CPE22100	111	R5CPTE1080	82	R5CQE16125S	95	R5CQE1846S	98-108	R5CQE20164S	100	R5CQE22128	101
R5CPE22101	112	R5CPTE12100	82	R5CQE16126	95	R5CQE1848	98	R5CQE20165	100	R5CQE22128S	101
R5CPE22120	111	R5CPTE1260	82	R5CQE16126S	95	R5CQE1848S	98	R5CQE20165S	100	R5CQE2234S	108
R5CPE2230	111	R5CPTE1280	82	R5CQE16144	95	R5CQE1864	98	R5CQE20166	100	R5CQE2235S	108
R5CPE2240	111	R5CPTE14100	82	R5CQE16144S	95	R5CQE1864S	98-172	R5CQE20166S	100	R5CQE2236S	108
R5CPE2260	111	RESCPTE1460	82-114	R5CQE16145	95	R5CQE1864X	98	R5CQE20168	100	R5CQE2238S	108
R5CPE2280	111	R5CPTE1480	82-114	R5CQE16145S	95	R5CQE1865	98	R5CQE20168S	100	R5CQE2244S	108
R5CPE2281	112	R5CPTE16100	82-114	R5CQE16146	95	R5CQE1865S	98-172	R5CQE2034S	108	R5CQE2245	101
R5CPE8120	71	R5CPTE1660	82-114	R5CQE16146S	95	R5CQE1865X	98	R5CQE2035S	108	R5CQE2245S	101-108
R5CPE8140	71	R5CPTE1680	82-114	R5CQE16164	95	R5CQE1866	98	R5CQE2036S	108	R5CQE2246	101
R5CPE8160	71	R5CPTE18100	82-114	R5CQE16164S	95	R5CQE1866S	98-172	R5CQE2038S	108	R5CQE2246S	101-108
R5CPE8180	71	R5CPTE1860	82-114	R5CQE16164X	95	R5CQE1866X	98	R5CQE2044	100	R5CQE2248	101
R5CPE8200	71	R5CPTE1880	82-114	R5CQE16165	95	R5CQE1868	98	R5CQE2044S	100-108	R5CQE2248S	101-108
R5CPFE100	175	R5CPTE20100	82-114	R5CQE16165S	95	R5CQE1868S	98-172	R5CQE2045	100	R5CQE2265	101
R5CPFE100	175	R5CPTE2060	82-114	R5CQE16165X	95	R5CQE1868X	98	R5CQE2045S	100-108	R5CQE2265S	101-172
R5CPLE1850	116	R5CPTE2080	82-114	R5CQE16166	95	R5CQE1884	98	R5CQE2046	100	R5CQE2265X	101
R5CPLE1860	116	R5CPTE22100	114	R5CQE16166S	95	R5CQE1884S	98-172	R5CQE2046S	100-108	R5CQE2266	101
R5CPLE1880	116	R5CPTE2260	114	R5CQE16166X	95	R5CQE1884X	98	R5CQE2048	100	R5CQE2266S	101
R5CPLE2050	116	R5CPTE2280	114	R5CQE16184	95	R5CQE1885	98	R5CQE2048S	100-108	R5CQE2266S	172
R5CPLE2060	116	R5CPV1000	43	R5CQE16184S	95	R5CQE1885S	98-172	R5CQE2064	100	R5CQE2266X	101
R5CPLE2080	116	R5CPV1200	43	R5CQE16184X	95	R5CQE1885X	98	R5CQE2064S	100-172	R5CQE2268	101
R5CPLE2250	116	R5CPV1600	43	R5CQE16185	95	R5CQE1886	98	R5CQE2064X	100	R5CQE2268S	101-172
R5CPLE2260	116	R5CPV600	43	R5CQE16185S	95	R5CQE1886S	98-172	R5CQE2065	100	R5CQE2268X	101
R5CPLE2280	116	R5CPV800	43	R5CQE16185X	95	R5CQE1886X	98	R5CQE2065S	100-172	R5CQE2285	101
R5CPME6200	177	R5CQE14124	93	R5CQE16186	95	R5CQE1888	98	R5CQE2065X	100	R5CQE2285S	101-172
R5CPME6201	175	R5CQE14124S	93	R5CQE16186S	95	R5CQE1888S	98-172	R5CQE2066	100	R5CQE2285X	101
R5CPME6300	177	R5CQE14125	93	R5CQE16186X	95	R5CQE1888X	98	R5CQE2066S	100-172	R5CQE2286	101
R5CPME6400	177	R5CQE14125S	93	R5CQE18104	98	R5CQE20104	100	R5CQE2066X	100	R5CQE2286S	101-172
R5CPME6401	175	R5CQE14164	93	R5CQE18104S	98	R5CQE20104S	100	R5CQE2068	100	R5CQE2286X	101
R5CPME6500	177	R5CQE14164S	93	R5CQE18104X	98	R5CQE20104X	100	R5CQE2068S	100-172	R5CQE2288	101
R5CPME6600	177	R5CQE14165	93	R5CQE18105	98	R5CQE20105	100	R5CQE2068X	100	R5CQE2288S	101-172
R5CPME6800	177	R5CQE14165S	93	R5CQE18105S	98	R5CQE20105S	100	R5CQE2084	100	R5CQE2288X	101
R5CPME6900	177	R5CQE1464	93	R5CQE18105X	98	R5CQE20105X	100	R5CQE2084S	100-172	R5CQEA	110
R5CPME8200	177	R5CQE1464S	93	R5CQE18106	98	R5CQE20106	100	R5CQE2084X	100	R5CQEC1666	90
R5CPME8201	175	R5CQE1464X	93	R5CQE18106S	98	R5CQE20106S	100	R5CQE2085	100	R5CQEC1668	90
R5CPME8300	177	R5CQE1465	93	R5CQE18106X	98	R5CQE20106X	100	R5CQE2085S	100-172	R5CQEC1866	90
R5CPME8400	177	R5CQE1465S	93	R5CQE18108	98	R5CQE20108	100	R5CQE2085X	100	R5CQEC1868	90
R5CPME8401	175	R5CQE1465X	93	R5CQE18108S	98	R5CQE20108S	100	R5CQE2086	100	R5CQEC1886	90
R5CPME8500	177	R5CQE1484	93	R5CQE1810X	98	R5CQE20108X	100	R5CQE2086S	100-172	R5CQEC1888	90
R5CPME8600	177	R5CQE1484S	93	R5CQE18124	98	R5CQE20124	100	R5CQE2086X	100	R5CQEC2066	90
R5CPME8800	177	R5CQE1484X	93	R5CQE18124S	98	R5CQE20124S	100	R5CQE2088	100	R5CQEC2068	90
R5CPME8900	177	R5CQE1485	93	R5CQE18125	98	R5CQE20125	100	R5CQE2088S	100-172	R5CQEC2086	90
R5CPMIE6400	178	R5CQE1485S	93	R5CQE18125S	98	R5CQE20125S	100	R5CQE2088X	100	R5CQEC2088	90
R5CPMIE6600	178	R5CQE1485X	93	R5CQE18126	98	R5CQE20126	100	R5CQE22105	101	R5CRE10100	84

Index of codes

Code	Page	Code	Page	Code	Page	Code	Page	Code	Page	Code	Page
R5CRE1060	84	R5IE18	21	R5LE1662	90-115	R5PDS45	106	R5PIE2260	120	R5SCE65	106
R5CRE1080	84	R5IE26	21	R5LE1682	90	R5PDS46	106	R5PIE2280	120	R5SCE66	106
R5CRE12100	84	R5IE28	21	R5LE1842	115	R5PDS65	106	R5PN1000	35	R5SCE85	106
R5CRE1260	84	R5IE43	21	R5LE1852	115	R5PDS66	106	R5PN1200	35	R5SCE86	106
R5CRE1280	84	R5IE44	21	R5LE1862	90-115	R5PDS85	106	R5PN1600	35	R5SCRK01	156
R5CRE14100	84	R5IE46	21	R5LE1882	90-115	R5PDS86	106	R5PN2000	35	R5SFM01	158
R5CRE14120	118	R5IE53	21	R5LE2042	115	R5PFO64	23	R5PN600	35	R5TE100	148
R5CRE14160	118	R5IE54	21	R5LE2052	115	RZPFI1840	186	R5PN800	35	R5TE18	184
R5CRE1460	84-118	R5IE55	21	R5LE2062	90-115	RZPFI1850	186	R5PRK1	156	R5TE20	184
R5CRE1480	84-118	R5IE64	21	R5LE2082	90-115	RZPFI1860	186	R5PRK10	156	R5TE22	184
R5CRE16100	84-118	R5IE66	21	R5LE2252	115	RZPFI1880	186	R5PRK11	156	R5TE50	148
R5CRE16120	118	R5IE75	21	R5LE2262	115	RZPFI2040	186	R5PRK12	156	R5TE60	148
R5CRE1640	118	R5IE86	21	R5LE2282	115	RZPFI2050	186	R5PRK2	156	R5TE70	148
R5CRE1660	84-118	R5KFRE18100	140	R5LE600	147	RZPFI2060	186	R5PRK3	156	R5TE80	148
R5CRE1680	84-118	R5KFRE18120	140	R5LE800	147	RZPFI2080	186	R5PRK4	156	R5TIE16100	152
R5CRE18100	84-118	R5KFRE1860	140	R5LSC50	105	R5PI5100	185	R5PRK5	156	R5TIE1660	150
R5CRE18120	84-118	R5KFRE1880	140	R5LSC60	105	R5PI520	185	R5PRK6	156	R5TIE1680	149
R5CRE1830	118	R5KFRE20100	140	R5LSC80	105	R5PI521	185	R5PRK7	156	R5TIE18100	152
R5CRE1840	118	R5KFRE20120	140	R5LSE50	106	R5PI522	185	R5PRK8	156	R5TIE1860	150
R5CRE1860	84	R5KFRE2060	140	R5LSE60	106	R5PI524	185	R5PRK9	156	R5TIE1880	149
R5CRE1860	118	R5KFRE2080	140	R5MPC1000	39	R5PI530	185	R5RE640	148	R5TIE20100	152
R5CRE1880	84-118	R5KFRE22100	140	R5MPC1200	39	R5PI540	185	R5RE650	148	R5TIE2060	150
R5CRE20100	84-118	R5KFRE22120	140	R5MPC1600	39	R5PI541	185	R5RE660	90-148	R5TIE2080	149
R5CRE20120	84-118	R5KFRE2260	140	R5MPC600	39	R5PI560	185	R5RE680	90-148	R5TIE22100	152
R5CRE20140	118	R5KFRE2280	140	R5MPC800	39	R5PI561	185	R5RE840	148	R5TIE2260	150
R5CRE20160	118	R5KMDDC14	103	R5MPG20	55	R5PI580	185	R5RE850	148	R5TIE2280	149
R5CRE2030	118	R5KMDDC16	103	R5MPG25	55	R5PI7100	185	R5RE860	90-148	R5TIE460	25
R5CRE2040	118	R5KMDDC18	103	R5MPG30	55	R5PI720	185	R5RE880	90-148	R5TIE461	25
R5CRE2060	84-118	R5KMDDC20	104	R5MPG35	55	R5PI721	185	R5RF1040	148	R5TIE660	25
R5CRE2080	84-118	R5KMDDC22	104	R5MPG40	55	R5PI722	185	R5RF1050	148	R5TIE960	25
R5CRE22100	118	R5KMDCR14	103	R5MPV1000	45	R5PI724	185	R5RF1060	148	R5TIE961	25
R5CRE22120	118	R5KMDCR16	103	R5MPV1200	45	R5PI730	185	R5RF1080	148	R5TIEC1680	151
R5CRE2230	118	R5KMDCR18	103	R5MPV1600	45	R5PI740	185	R5RF440	148	R5TIEC1880	151
R5CRE2240	118	R5KMDCR20	104	R5MPV600	45	R5PI741	185	R5RF450	148	R5TIEC2080	151
R5CRE2260	118	R5KMDCR22	104	R5MPV800	45	R5PI760	185	R5RF460	148	R5TIEC2280	151
R5CRE2280	118	R5KMDD14	103	R5MRCE14	154	R5PI761	185	R5RF480	148	R5TIEP12	153
R5CRK1460	157	R5KMDD16	103	R5MRCE16	154	R5PI780	185	R5RF640	148	R5TIEP16	153
R5CRK1660	157	R5KMDD18	103	R5MRCE18	154	R5PIE10100	74	R5RF650	148	R5TIEP18	153
R5CRK1860	157	R5KMDD20	104	R5MRCE20	154	R5PIE1060	74	R5RF660	90-148	R5TIEP6	153
R5CRK2060	157	R5KMDD22	104	R5MRCE22	154	R5PIE1080	74	R5RF680	90-148	R5TIEP9	153
R5CRK2260	157	R5KMN14	103	R5MRE14	155	R5PIE12100	74	R5RF840	148	R5TM106	23
R5CV1000	50	R5KMN16	103	R5MRE16	155	R5PIE1260	74	R5RF850	148	R5TM126	23
R5CV1200	50	R5KMN18	103	R5MRE18	155	R5PIE1280	74	R5RF860	90-148	R5TM43	23
R5CV1600	50	R5KMN20	104	R5MRE20	155	R5PIE14100	74-120	R5RF880	90-148	R5TM44	23
R5CV600	50	R5KMN22	104	R5MRE22	155	R5PIE1460	74-120	R5RL1000	85-147	R5TM53	23
R5CV800	50	R5KMRR14	103	R5PA6040	185	R5PIE1480	74-120	R5RL600	85-147	R5TM54	23
R5CVCE18250	109	R5KMRR16	103	R5PA6060	185	R5PIE16100	74-120	R5RL800	85-147	R5TM55	23
R5CVCE18260	109	R5KMRR18	103	R5PA8040	185	R5PIE1660	74-120	R5S000	105	R5TM64	23
R5CVCE18280	109	R5KMRR20	104	R5PA8060	185	R5PIE1680	74-120	R5S000	105	R5TM66	23
R5CVCE20250	109	R5KMRR22	104	R5PCD60	185	R5PIE18100	74-120	R5S000	105	R5TM75	23
R5CVCE20260	109	R5LE1000	147	R5PCD80	185	R5PIE1860	74-120	R5SCE105	106	R5TM86	23
R5CVCE20280	109	R5LE1200	147	R5PCDF01	157	R5PIE1880	74-120	R5SCE106	106	R5TOE60	175
R5FRV18	158	R5LE1442	115	R5PDS105	106	R5PIE20100	74-120	R5SCE125	106	R5TOE80	175
R5FRV20	158	R5LE1452	115	R5PDS106	106	R5PIE2060	74-120	R5SCE126	106	R5TT042	20
R5FRV22	158	R5LE1642	115	R5PDS125	106	R5PIE2080	74-120	R5SCE45	106	R5TT049	20
R5IE16	21	R5LE1652	115	R5PDS126	106	R5PIE22100	120	R5SCE46	106	R5TT052	20

Index of codes

Code	Page	Code	Page	Code	Page	Code	Page	Code	Page	Code	Page
R5TT059	20	RZA06	161	RZOE227	26-53		184	RZKRE65	160	RZPCE22120	126
R5TT063	20	RZA33	75-142		187	RZDVE1850	131-177	RZKSRE65	160	RZPCE2230	126
R5TT069	20	RZA34	51	RZOE228	26-53		184	RZMVE18	175-186	RZPCE2240	126
R5TT083	20	RZA41	139		187	RZDVE1860	131-177	RZMVE20	175-186	RZPCE2260	126
RAA07	163	RZA50	19-32	RZOE230	26-88	RZDVE1860	184	RZMVE22	175-186	RZPCE2280	126
RAA21	164	RZAD2400	161		123-187	RZDVE1880	131-177	RZPAC100	46	RZPCE61000	183
RAA24	164	RZAD2406	161	RZOE233	26-88		184	RZPAC120	46	RZPCE6200	176-183
RAA31	19-164	RZAD2410	161		123-187	RZDVE2040	131-177	RZPAC140	46	RZPCE6300	176-183
RAA45	162	RZAD2416	161	RZOE234	26-88		184	RZPAC160	46	RZPCE6400	176-183
RAA51	163	RZAE01	121		123-187	RZDVE2050	131-177	RZPAC40	46	RZPCE6500	176-183
RAA52	163	RZAE02	122	RZOE235	26-88		184	RZPAC60	46	RZPCE6600	176-183
RAA53	162	RZAE03	158		123-187	RZDVE2060	131-177	RZPAC80	46	RZPCE6800	176-183
RAA54	110	RZAE04	85	RZOE236	26-88		184	RZPC1000	52	RZPCE6900	176-183
RAAE07	87-159	RZAE05	86-159		123-187	RZDVE2080	131-177	RZPC1200	52	RZPCE81000	183
RALA08	165	RZAE06	86-160	RZOE237	26-53		184	RZPC1600	52	RZPCE8200	176-183
RALA13	165	RZAE06	86-160		88-123	RZDVE2250	131-177	RZPC600	52	RZPCE8300	176-183
RAMC01	87-168	RZAE06	86-160		187		184	RZPC800	52	RZPCE8400	176-183
RAMC02	168	RZBPE60	183	RZOE261	26	RZDVE2260	131-177	RZPCDE1840	132	RZPCE8500	176-183
RAPF12	168	RZBPE80	183	RZOE262	88		184	RZPCDE1850	132	RZPCE8600	176-183
RAPF15	168	RZCDA02	32	RZCPE10120	71	RZDVE2280	131-177	RZPCDE1860	132	RZPCE8800	176-183
RAPF20	168	RZCDO15	32	RZCPE10140	71		184	RZPCDE1880	132	RZPCE8900	176-183
RATEV115	169	RZCDO20	32	RZCPE10160	71	RZDVP18100	184	RZPCDE2040	132	RZPCPE1010	129
RATEV230	169	RZCDO30	32	RZCPE10180	71	RZDVP18125	177	RZPCDE2050	132	RZPCPE106	129
RATMS01	164	RZCDO40	32	RZCPE10200	71	RZDVP18150	184	RZPCDE2060	132	RZPCPE108	129
RATR2010	165	RZCDO50	32	RZCPE10220	71	RZDVP18175	177	RZPCDE2080	132	RZPCPE1210	129
RATR2016	165	RZCDO60	32	RZCPE8120	71	RZDVP18250	184	RZPCE10100	80	RZPCPE126	129
RATR2510	165	RZCDO80	32	RZCPE8140	71	RZDVP18275	177	RZPCE10600	80	RZPCPE128	129
RATR3016	165	RZCOP11	31	RZCPE8160	71	RZDVP18325	177	RZPCE1080	80	RZPCPE610	129
RAV190APF12	167	RZCOP22	31	RZCPE8180	71	RZDVP18350	184	RZPCE12100	80	RZPCPE66	129
RAV190APF15	167	RZCOP31	31	RZCPE8200	71	RZDVP20100	184	RZPCE1260	80	RZPCPE68	129
RAV190BPF12	167	RZCOP32	31	RZDOE6095	181	RZDVP20125	177	RZPCE1280	80	RZPCPE810	129
RAV190BPF15	167	RZCOP33	31	RZDOE6145	173-181	RZDVP20150	184	RZPCE14100	80	RZPCPE86	129
RAV300APF15	167	RZCOP42	31	RZDOE6195	173	RZDVP20175	177	RZPCE14120	126	RZPCPE88	129
RAV300BPF15	167	RZCOP43	31	RZDOE6245	173-181	RZDVP20250	184	RZPCE1460	80-126	RZPCSE16100	128
RAV820APF15	167	RZCOP44	31	RZDOE6295	173	RZDVP20275	177	RZPCE1480	80-126	RZPCSE1660	128
RAV820APF20	167	RZCOP52	31	RZDOE6345	173-181	RZDVP20325	177	RZPCE16100	80-126	RZPCSE1680	128
RAV820BPF15	167	RZCOP53	31	RZDOE6445	173-181	RZDVP20350	184	RZPCE16120	126	RZPCSE18100	128
RAV820BPF20	167	RZCOP62	31	RZDOE6545	173	RZDVP22100	184	RZPCE1640	126	RZPCSE18120	128
RAVE08	170	RZCOP63	31	RZDOE6645	181	RZDVP22125	177	RZPCE1660	80-126	RZPCSE1860	128
RPA32	53-148	RZCOP64	31	RZDOE6745	173	RZDVP22150	184	RZPCE1680	80-126	RZPCSE1880	128
RPCE201	88-123	RZCOP82	31	RZDOE8095	181	RZDVP22175	177	RZPCE18100	80-126	RZPCSE20100	128
RPCE202	88-123	RZCOP84	31	RZDOE8145	173-181	RZDVP22250	184	RZPCE18120	80-126	RZPCSE20120	128
RPCE203	88-123	RZCE200	26-187	RZDOE8195	173	RZDVP22275	177	RZPCE1830	126	RZPCSE20140	128
RPCE204	187	RZCE211	26-88	RZDOE8245	173	RZDVP22325	177	RZPCE1840	126	RZPCSE20160	128
RPCE205	26-53		123-187	RZDOE8245	181	RZDVP22350	184	RZPCE1860	80-126	RZPCSE2060	128
RPCE207	88-123	RZCE212	26-88	RZDOE8295	173	RZFCP60	186	RZPCE1880	80-126	RZPCSE2080	128
RPCE209	53		123-187	RZDOE8345	173-181	RZFCP80	186	RZPCE20100	80-126	RZPCSE2100	128
RPCE240	26-53	RZCE213	26-88	RZDOE8445	181	RZFPC1000	75-134	RZPCE20120	80-126	RZPCSE2120	128
	187		123-187	RZDOE8545	173	RZFPC1200	75-134	RZPCE20140	126	RZPCSE2260	128
RPCE243	26-53	RZCE214	26-88	RZDOE8645	181	RZFPC1400	134	RZPCE20160	126	RZPCSE2280	128
	187		123-187	RZDOE8745	173	RZFPC1600	134	RZPCE2030	126	RZPDF1000	143
RPCE245	26-53	RZCE219	26-88	RZDVE1440	131	RZFPC400	134	RZPCE2040	126	RZPDF1200	143
	187		123-187	RZDVE1450	131	RZFPC600	75-134	RZPCE2060	80-126	RZPDF1400	143
RPCE246	26-53	RZCE221	26-187	R5ZDVE1640	131	RZFPC800	75-134	RZPCE2080	80-126	RZPDF1600	143
	187	RZCE223	26-187	RZDVE1650	131	RZKE65	139	RZPCE22100	126	RZPDF400	143
RPCE246	26-53	RZCE224	26-187	RZDVE1660	131	RZKFP01	138				
	187	RZCE226	26-187	RZDVE1840	131-177						

Index of codes

Code	Page	Code	Page
RZPDF600	143	RZTFE1400	145
RZPDF800	143	RZTFE1600	145
RZPDL400	143	RZTFE400	145
RZPDL500	143	RZTFE600	145
RZPDL600	143	RZTFE800	145
RZPDL800	143	RZTFE1000	145
RZPDV14	144	RZTFE1200	145
RZPDV16	144	RZTFE1400	145
RZPDV18	144	RZTFE1600	145
RZPDV20	144	RZTFE400	145
RZPDV22	144	RZTFE600	145
RZPIE14	133	RZTFE800	145
RZPIE16	133	RZTLE400	144
RZPIE18	133	RZTLE500	144
RZPIE20	133	RZTLE600	144
RZPIE22	133	RZTLE800	144
RZPLE400	145	RZTPE100	121
RZPLE500	145	RZTPE50	121
RZPLE600	145	RZTPE60	121
RZPLE800	145	RZTPE70	121
RZPPM1000	49	RZTPE80	121
RZPPM1200	49	RZTSE02	141
RZPPM1600	49	RZTTE1000	146
RZPPM600	49	RZTTE1200	146
RZPPM800	49	RZTTE1400	146
RZPSP18100	124	RZTTE1600	146
RZPSP18120	124	RZTTE600	146
RZPSP1860	124	RZTTE800	146
RZPSP1880	124		
RZPSP20100	124		
RZPSP20120	124		
RZPSP2060	124		
RZPSP2080	124		
RZRPC100	79-125		
RZRPC120	79-125		
RZRPC140	79-125		
RZRPC160	79-125		
RZRPC60	79-125		
RZRPC80	125		
RZRPCSE30	127		
RZS01	51		
RZS02	51		
RZS0E095	182		
RZSOE145	174-182		
RZSOE195	174		
RZSOE245	184		
RZSOE295	174		
RZSOE345	174-181		
RZSOE445	174-181		
RZSOE545	174		
RZSOE645	174-181		
RZSOE745	174		
RZSRP01	159		
RZSRP02	159		
RZTFE1000	145		
RZTFE1200	145		