



# DKC

## Catalogo DAE



# RAM BLOCK

# catalogo armadio DAE



**The Right Choice  
for Industrial Enclosures and Instrumentation**

## Armadi DAE



La struttura del DAE è composta da un elemento di base (DTB), da un elemento di copertura (DTB) e da una coppia di pareti laterali (DL). Gli elementi dell'armadio **possono essere forniti in kit o preassemblati**, completi di accessori di fissaggio (cerniere, agganci, ecc.).

La semplicità e la rapidità dell'assemblaggio, dettata dal solo fissaggio dei perni M8 laterali e centrali, rendono questo armadio unico nel suo genere e coperto da brevetto europeo.

L'armadio è presente in catalogo in varie misure e modelli, con porte cieche o con porte trasparenti e può essere utilizzato sia per l'automazione sia per la distribuzione in BT. Grande attenzione è stata riservata all'accessoristica sulla distribuzione, che prevede numerose tipologie di pannelli preforati idonei all'assemblaggio di interruttori delle maggiori marche presenti sui mercati internazionali e strumenti di ogni tipologia e formato.

La gamma di accessori della serie DAE è intercambiabile con quella delle più conosciute serie di armadi targeti DKC: la serie CAE e la serie CQE.

La verniciatura della struttura è realizzata con polveri termoindurenti epossipoliestere in colore grigio Ral 7035 (a richiesta altre colorazioni).

**Grado di protezione: IP 55 secondo EN 60529 UL NEMA type 12.**



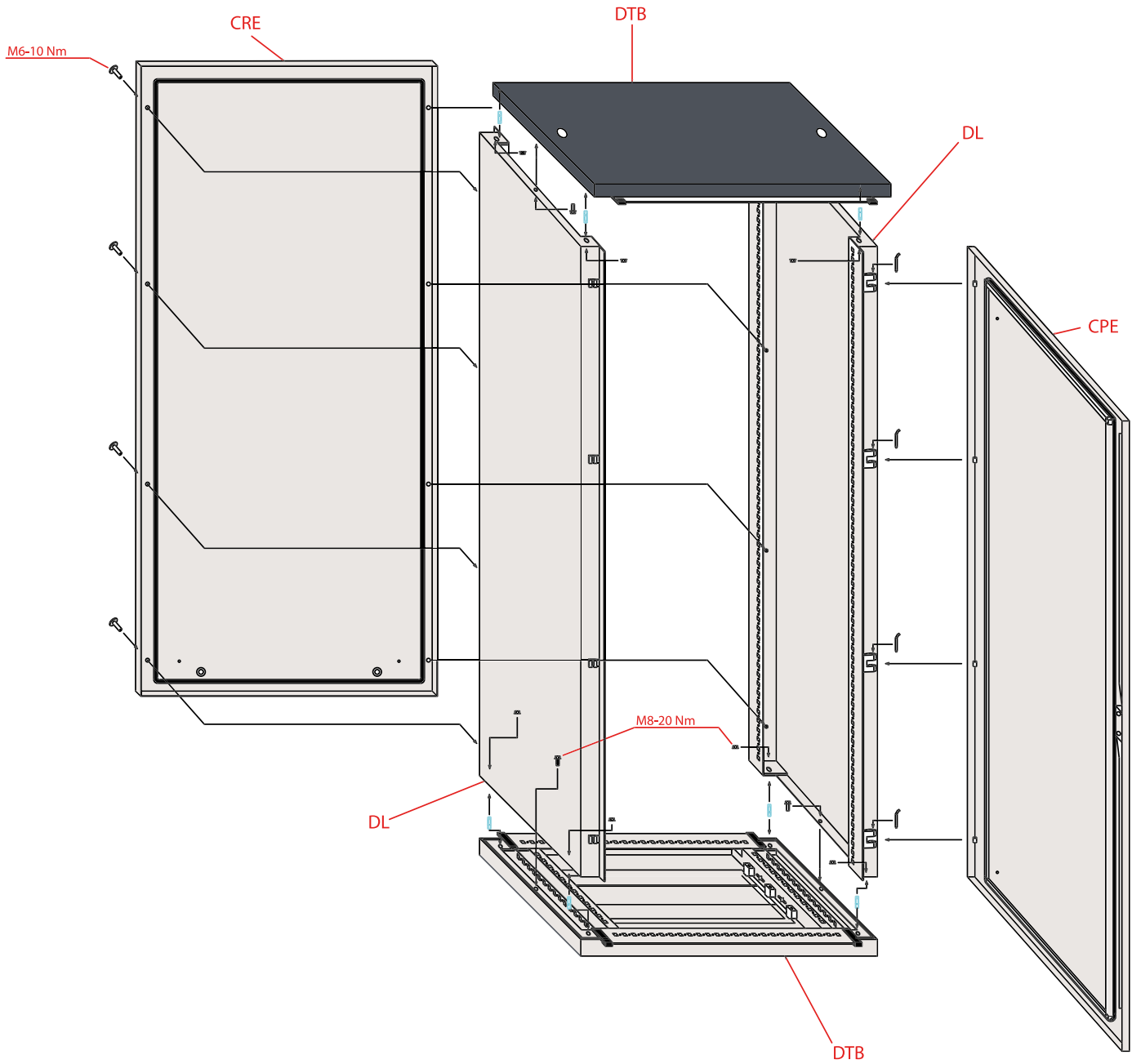
Conformità alle Direttive Europee CEI EN 50298



Underwriters Laboratories Canada and USA - UL 508



UNI EN ISO 9001:2000



## DAE versione montata



Dimensioni armadio			Armadio solo struttura (1)	Armadio con retro (2)	Armadio con porta cieca e retro (3)	Armadio con porta trasp. e retro (4)	Armadio con porta in vetro serigr. e retro (5)
H	L	P					
1000	600	300	R5DAE1063S	R5DAE1063R	R5DAE1063	R5DAE1063X	-
1000	600	400	R5DAE1064S	R5DAE1064R	R5DAE1064	R5DAE1064X	-
1000	800	300	R5DAE1083S	R5DAE1083R	R5DAE1083	R5DAE1083X	-
1000	800	400	R5DAE1084S	R5DAE1084R	R5DAE1084	R5DAE1084X	-
1000	1000	300	R5DAE10103S	R5DAE10103R	R5DAE10103	R5DAE10103X	-
1000	1000	400	R5DAE10104S	R5DAE10104R	R5DAE10104	R5DAE10104X	-
1200	600	300	R5DAE1263S	R5DAE1263R	R5DAE1263	R5DAE1263X	-
1200	600	400	R5DAE1264S	R5DAE1264R	R5DAE1264	R5DAE1264X	-
1200	800	300	R5DAE1283S	R5DAE1283R	R5DAE1283	R5DAE1283X	-
1200	800	400	R5DAE1284S	R5DAE1284R	R5DAE1284	R5DAE1284X	-
1200	1000	300	R5DAE12103S	R5DAE12103R	R5DAE12103	R5DAE12103X	-
1200	1000	400	R5DAE12104S	R5DAE12104R	R5DAE12104	R5DAE12104X	-
1400	600	300	R5DAE1463S	R5DAE1463R	R5DAE1463	R5DAE1463X	-
1400	600	400	R5DAE1464S	R5DAE1464R	R5DAE1464	R5DAE1464X	-
1400	800	300	R5DAE1483S	R5DAE1483R	R5DAE1483	R5DAE1483X	-
1400	800	400	R5DAE1484S	R5DAE1484R	R5DAE1484	R5DAE1484X	-
1400	1000	300	R5DAE14103S	R5DAE14103R	R5DAE14103	R5DAE14103X	-
1400	1000	400	R5DAE14104S	R5DAE14104R	R5DAE14104	R5DAE14104X	-
1600	600	300	R5DAE1663S	R5DAE1663R	R5DAE1663	R5DAE1663X	R5DAE1663V
1600	600	400	R5DAE1664S	R5DAE1664R	R5DAE1664	R5DAE1664X	R5DAE1664V
1600	800	300	R5DAE1683S	R5DAE1683R	R5DAE1683	R5DAE1683X	R5DAE1683V
1600	800	400	R5DAE1684S	R5DAE1684R	R5DAE1684	R5DAE1684X	R5DAE1684V
1600	1000	300	R5DAE16103S	R5DAE16103R	R5DAE16103	R5DAE16103X	-
1600	1000	400	R5DAE16104S	R5DAE16104R	R5DAE16104	R5DAE16104X	-

**1. Ordinare separatamente: porta, pannello di cablaggio, zoccolo e retro.**

**2. Ordinare separatamente: porta, pannello di cablaggio, zoccolo.**

**3-4-5. Ordinare separatamente: pannello di cablaggio e zoccolo.**

## Accessori di completamento



Porta cieca	Porta traspar.	Porta in vetro serigraf.	Retro	Pannello cablaggio	Porta interna	Zoccolo H 100	Zoccolo H 200
R5CPE1060	R5CPTE1060	-	R5CRE1060	RZPCE1060	R5PIE1060	R1ZE631	R1ZE632
R5CPE1060	R5CPTE1060	-	R5CRE1060	RZPCE1060	R5PIE1060	R1ZE641	R1ZE642
R5CPE1080	R5CPTE1080	-	R5CRE1080	RZPCE1080	R5PIE1080	R1ZE831	R1ZE832
R5CPE1080	R5CPTE1080	-	R5CRE1080	RZPCE1080	R5PIE1080	R1ZE841	R1ZE842
R5CPE10100	R5CPTE10100	-	R5CRE10100	RZPCE10100	R5PIE10100	R1ZE1031	R1ZE1032
R5CPE10100	R5CPTE10100	-	R5CRE10100	RZPCE10100	R5PIE10100	R1ZE1041	R1ZE1042
R5CPE1260	R5CPTE1260	-	R5CRE1260	RZPCE1260	R5PIE1260	R1ZE631	R1ZE632
R5CPE1260	R5CPTE1260	-	R5CRE1260	RZPCE1260	R5PIE1260	R1ZE641	R1ZE642
R5CPE1280	R5CPTE1280	-	R5CRE1280	RZPCE1280	R5PIE1280	R1ZE831	R1ZE832
R5CPE1280	R5CPTE1280	-	R5CRE1280	RZPCE1280	R5PIE1280	R1ZE841	R1ZE842
R5CPE12100	R5CPTE12100	-	R5CRE12100	RZPCE12100	R5PIE12100	R1ZE1031	R1ZE1032
R5CPE12100	R5CPTE12100	-	R5CRE12100	RZPCE12100	R5PIE12100	R1ZE1041	R1ZE1042
R5CPE1460	R5CPTE1460	-	R5CRE1460	RZPCE1460	R5PIE1460	R1ZE631	R1ZE632
R5CPE1460	R5CPTE1460	-	R5CRE1460	RZPCE1460	R5PIE1460	R1ZE641	R1ZE642
R5CPE1480	R5CPTE1480	-	R5CRE1480	RZPCE1480	R5PIE1480	R1ZE831	R1ZE832
R5CPE1480	R5CPTE1480	-	R5CRE1480	RZPCE1480	R5PIE1480	R1ZE841	R1ZE842
R5CPE14100	R5CPTE14100	-	R5CRE14100	RZPCE14100	R5PIE14100	R1ZE1031	R1ZE1032
R5CPE14100	R5CPTE14100	-	R5CRE14100	RZPCE14100	R5PIE14100	R1ZE1041	R1ZE1042
R5CPE1660	R5CPTE1660	R5CPTED1660	R5CRE1660	RZPCE1660	R5PIE1660	R1ZE631	R1ZE632
R5CPE1660	R5CPTE1660	R5CPTED1660	R5CRE1660	RZPCE1660	R5PIE1660	R1ZE641	R1ZE642
R5CPE1680	R5CPTE1680	R5CPTED1680	R5CRE1680	RZPCE1680	R5PIE1680	R1ZE831	R1ZE832
R5CPE1680	R5CPTE1680	R5CPTED1680	R5CRE1680	RZPCE1680	R5PIE1680	R1ZE841	R1ZE842
R5CPE16100	R5CPTE16100	-	R5CRE16100	RZPCE16100	R5PIE16100	R1ZE1031	R1ZE1032
R5CPE16100	R5CPTE16100	-	R5CRE16100	RZPCE16100	R5PIE16100	R1ZE1041	R1ZE1042

## DAE versione montata



Dimensioni armadio			Armadio solo struttura (1)	Armadio con retro (2)	Armadio con porta cieca e retro (3)	Armadio con porta trasp. e retro (4)	Armadio con porta in vetro serigr. e retro (5)
H	L	P					
1800	600	300	R5DAE1863S	R5DAE1863R	R5DAE1863	R5DAE1863X	R5DAE1863V
1800	600	400	R5DAE1864S	R5DAE1864R	R5DAE1864	R5DAE1864X	R5DAE1864V
1800	600	500	R5DAE1865S	R5DAE1865R	R5DAE1865	R5DAE1865X	R5DAE1865V
1800	600	600	R5DAE1866S	R5DAE1866R	R5DAE1866	R5DAE1866X	R5DAE1866V
1800	800	300	R5DAE1883S	R5DAE1883R	R5DAE1883	R5DAE1883X	R5DAE1883V
1800	800	400	R5DAE1884S	R5DAE1884R	R5DAE1884	R5DAE1884X	R5DAE1884V
1800	800	500	R5DAE1885S	R5DAE1885R	R5DAE1885	R5DAE1885X	R5DAE1885V
1800	800	600	R5DAE1886S	R5DAE1886R	R5DAE1886	R5DAE1886X	R5DAE1886V
1800	1000	400	R5DAE18104S	R5DAE18104R	R5DAE18104	R5DAE18104X	-
1800	1000	500	R5DAE18105S	R5DAE18105R	R5DAE18105	R5DAE18105X	-
1800	1000	600	R5DAE18106S	R5DAE18106R	R5DAE18106	R5DAE18106X	-
1800	1200	400	R5DAE18124S	R5DAE18124R	R5DAE18124	R5DAE18124X	-
1800	1200	500	R5DAE18125S	R5DAE18125R	R5DAE18125	R5DAE18125X	-
1800	1200	600	R5DAE18126S	R5DAE18126R	R5DAE18126	R5DAE18126X	-
2000	600	300	R5DAE2063S	R5DAE2063R	R5DAE2063	R5DAE2063X	R5DAE2063V
2000	600	400	R5DAE2064S	R5DAE2064R	R5DAE2064	R5DAE2064X	R5DAE2064V
2000	600	500	R5DAE2065S	R5DAE2065R	R5DAE2065	R5DAE2065X	R5DAE2065V
2000	600	600	R5DAE2066S	R5DAE2066R	R5DAE2066	R5DAE2066X	R5DAE2066V
2000	800	300	R5DAE2083S	R5DAE2083R	R5DAE2083	R5DAE2083X	R5DAE2083V
2000	800	400	R5DAE2084S	R5DAE2084R	R5DAE2084	R5DAE2084X	R5DAE2084V
2000	800	500	R5DAE2085S	R5DAE2085R	R5DAE2085	R5DAE2085X	R5DAE2085V
2000	800	600	R5DAE2086S	R5DAE2086R	R5DAE2086	R5DAE2086X	R5DAE2086V
2000	1000	400	R5DAE20104S	R5DAE20104R	R5DAE20104	R5DAE20104X	-
2000	1000	500	R5DAE20105S	R5DAE20105R	R5DAE20105	R5DAE20105X	-
2000	1000	600	R5DAE20106S	R5DAE20106R	R5DAE20106	R5DAE20106X	-
2000	1200	400	R5DAE20124S	R5DAE20124R	R5DAE20124	R5DAE20124X	-
2000	1200	500	R5DAE20125S	R5DAE20125R	R5DAE20125	R5DAE20125X	-
2000	1200	600	R5DAE20126S	R5DAE20126R	R5DAE20126	R5DAE20126X	-

**1. Ordinare separatamente: porta, pannello di cablaggio, zoccolo e retro.**

**2. Ordinare separatamente: porta, pannello di cablaggio, zoccolo.**

**3-4-5. Ordinare separatamente: pannello di cablaggio e zoccolo.**

## Accessori di completamento



Porta cieca	Porta traspar.	Porta in vetro serigraf.	Retro	Pannello cablaggio	Porta interna	Zoccolo H 100	Zoccolo H 200
R5CPE1860	R5CPTE1860	R5CPTED1860	R5CRE1860	RZPCE1860	R5PIE1860	R1ZE631	R1ZE632
R5CPE1860	R5CPTE1860	R5CPTED1860	R5CRE1860	RZPCE1860	R5PIE1860	R1ZE641	R1ZE642
R5CPE1860	R5CPTE1860	R5CPTED1860	R5CRE1860	RZPCE1860	R5PIE1860	R1ZE651	R1ZE652
R5CPE1860	R5CPTE1860	R5CPTED1860	R5CRE1860	RZPCE1860	R5PIE1860	R1ZE661	R1ZE662
R5CPE1880	R5CPTE1880	R5CPTED1880	R5CRE1880	RZPCE1880	R5PIE1880	R1ZE831	R1ZE832
R5CPE1880	R5CPTE1880	R5CPTED1880	R5CRE1880	RZPCE1880	R5PIE1880	R1ZE841	R1ZE842
R5CPE1880	R5CPTE1880	R5CPTED1880	R5CRE1880	RZPCE1880	R5PIE1880	R1ZE851	R1ZE852
R5CPE1880	R5CPTE1880	R5CPTED1880	R5CRE1880	RZPCE1880	R5PIE1880	R1ZE861	R1ZE862
R5CPE18100	R5CPTE18100	-	R5CRE18100	RZPCE18100	R5PIE18100	R1ZE1041	R1ZE1042
R5CPE18100	R5CPTE18100	-	R5CRE18100	RZPCE18100	R5PIE18100	R1ZE1051	R1ZE1052
R5CPE18100	R5CPTE18100	-	R5CRE18100	RZPCE18100	R5PIE18100	R1ZE1061	R1ZE1062
R5CPE18120	R5CPTE18120	-	R5CRE18120	RZPCE18120	R5PIE18120	R1ZE1241	R1ZE1242
R5CPE18120	R5CPTE18120	-	R5CRE18120	RZPCE18120	R5PIE18120	R1ZE1251	R1ZE1252
R5CPE18120	R5CPTE18120	-	R5CRE18120	RZPCE18120	R5PIE18120	R1ZE1261	R1ZE1262
R5CPE2060	R5CPTE2060	R5CPTED2060	R5CRE2060	RZPCE2060	R5PIE2060	R1ZE631	R1ZE632
R5CPE2060	R5CPTE2060	R5CPTED2060	R5CRE2060	RZPCE2060	R5PIE2060	R1ZE641	R1ZE642
R5CPE2060	R5CPTE2060	R5CPTED2060	R5CRE2060	RZPCE2060	R5PIE2060	R1ZE651	R1ZE652
R5CPE2060	R5CPTE2060	R5CPTED2060	R5CRE2060	RZPCE2060	R5PIE2060	R1ZE661	R1ZE662
R5CPE2080	R5CPTE2080	R5CPTED2080	R5CRE2080	RZPCE2080	R5PIE2080	R1ZE831	R1ZE832
R5CPE2080	R5CPTE2080	R5CPTED2080	R5CRE2080	RZPCE2080	R5PIE2080	R1ZE841	R1ZE842
R5CPE2080	R5CPTE2080	R5CPTED2080	R5CRE2080	RZPCE2080	R5PIE2080	R1ZE851	R1ZE852
R5CPE2080	R5CPTE2080	R5CPTED2080	R5CRE2080	RZPCE2080	R5PIE2080	R1ZE861	R1ZE862
R5CPE20100	R5CPTE20100	-	R5CRE20100	RZPCE20100	R5PIE20100	R1ZE1041	R1ZE1042
R5CPE20100	R5CPTE20100	-	R5CRE20100	RZPCE20100	R5PIE20100	R1ZE1051	R1ZE1052
R5CPE20100	R5CPTE20100	-	R5CRE20100	RZPCE20100	R5PIE20100	R1ZE1061	R1ZE1062
R5CPE20120	R5CPTE20120	-	R5CRE20120	RZPCE20120	R5PIE20120	R1ZE1241	R1ZE1242
R5CPE20120	R5CPTE20120	-	R5CRE20120	RZPCE20120	R5PIE20120	R1ZE1251	R1ZE1252
R5CPE20120	R5CPTE20120	-	R5CRE20120	RZPCE20120	R5PIE20120	R1ZE1261	R1ZE1262



## DAE versione in kit



Dimensioni armadio			Tetto e base	Laterali	Porta cieca	Porta traspar.	Porta in vetro serigraf.	Retro	Zoccolo H 100
H	L	P							
1000	600	300	R1DTB63	R5DL1030	R5CPE1060	R5CPTE1060	-	R5CRE1060	R1ZE631
1000	600	400	R1DTB64	R5DL1040	R5CPE1060	R5CPTE1060	-	R5CRE1060	R1ZE641
1000	800	300	R1DTB83	R5DL1030	R5CPE1080	R5CPTE1080	-	R5CRE1080	R1ZE831
1000	800	400	R1DTB84	R5DL1040	R5CPE1080	R5CPTE1080	-	R5CRE1080	R1ZE841
1000	1000	300	R1DTB103	R5DL1030	R5CPE10100	R5CPTE10100	-	R5CRE10100	R1ZE1031
1000	1000	400	R1DTB104	R5DL1040	R5CPE10100	R5CPTE10100	-	R5CRE10100	R1ZE1041
1200	600	300	R1DTB63	R5DL1230	R5CPE1260	R5CPTE1260	-	R5CRE1260	R1ZE631
1200	600	400	R1DTB64	R5DL1240	R5CPE1260	R5CPTE1260	-	R5CRE1260	R1ZE641
1200	800	300	R1DTB83	R5DL1230	R5CPE1280	R5CPTE1280	-	R5CRE1280	R1ZE831
1200	800	400	R1DTB84	R5DL1240	R5CPE1280	R5CPTE1280	-	R5CRE1280	R1ZE841
1200	1000	300	R1DTB103	R5DL1230	R5CPE12100	R5CPTE12100	-	R5CRE12100	R1ZE1031
1200	1000	400	R1DTB104	R5DL1240	R5CPE12100	R5CPTE12100	-	R5CRE12100	R1ZE1041
1400	600	300	R1DTB63	R5DL1430	R5CPE1460	R5CPTE1460	-	R5CRE1460	R1ZE631
1400	600	400	R1DTB64	R5DL1440	R5CPE1460	R5CPTE1460	-	R5CRE1460	R1ZE641
1400	800	300	R1DTB83	R5DL1430	R5CPE1480	R5CPTE1480	-	R5CRE1480	R1ZE831
1400	800	400	R1DTB84	R5DL1440	R5CPE1480	R5CPTE1480	-	R5CRE1480	R1ZE841
1400	1000	300	R1DTB103	R5DL1430	R5CPE14100	R5CPTE14100	-	R5CRE14100	R1ZE1031
1400	1000	400	R1DTB104	R5DL1440	R5CPE14100	R5CPTE14100	-	R5CRE14100	R1ZE1041
1600	600	300	R1DTB63	R5DL1630	R5CPE1660	R5CPTE1660	R5CPTED1660	R5CRE1660	R1ZE631
1600	600	400	R1DTB64	R5DL1640	R5CPE1660	R5CPTE1660	R5CPTED1660	R5CRE1660	R1ZE641
1600	800	300	R1DTB83	R5DL1630	R5CPE1680	R5CPTE1680	R5CPTED1680	R5CRE1680	R1ZE831
1600	800	400	R1DTB84	R5DL1640	R5CPE1680	R5CPTE1680	R5CPTED1680	R5CRE1680	R1ZE841
1600	1000	300	R1DTB103	R5DL1630	R5CPE16100	R5CPTE16100	-	R5CRE16100	R1ZE1031
1600	1000	400	R1DTB104	R5DL1640	R5CPE16100	R5CPTE16100	-	R5CRE16100	R1ZE1041

## DAE versione in kit



Dimensioni armadio			Tetto e base	Laterali	Porta cieca	Porta traspar.	Porta in vetro serigraf.	Retro	Zoccolo H 100
H	L	P							
1800	600	300	R1DTB63	R5DL1830	R5CPE1860	R5CPTE1860	R5CPTED1860	R5CRE1860	R1ZE631
1800	600	400	R1DTB64	R5DL1840	R5CPE1860	R5CPTE1860	R5CPTED1860	R5CRE1860	R1ZE641
1800	600	500	R1DTB65	R5DL1850	R5CPE1860	R5CPTE1860	R5CPTED1860	R5CRE1860	R1ZE651
1800	600	600	R1DTB66	R5DL1860	R5CPE1860	R5CPTE1860	R5CPTED1860	R5CRE1860	R1ZE661
1800	800	300	R1DTB83	R5DL1830	R5CPE1880	R5CPTE1880	R5CPTED1880	R5CRE1880	R1ZE831
1800	800	400	R1DTB84	R5DL1840	R5CPE1880	R5CPTE1880	R5CPTED1880	R5CRE1880	R1ZE841
1800	800	500	R1DTB85	R5DL1850	R5CPE1880	R5CPTE1880	R5CPTED1880	R5CRE1880	R1ZE851
1800	800	600	R1DTB86	R5DL1860	R5CPE1880	R5CPTE1880	R5CPTED1880	R5CRE1880	R1ZE861
1800	1000	400	R1DTB104	R5DL1840	R5CPE18100	R5CPTE18100	-	R5CRE18100	R1ZE1041
1800	1000	500	R1DTB105	R5DL1850	R5CPE18100	R5CPTE18100	-	R5CRE18100	R1ZE1051
1800	1000	600	R1DTB106	R5DL1860	R5CPE18100	R5CPTE18100	-	R5CRE18100	R1ZE1061
1800	1200	400	R1DTB124	R5DL1840	R5CPE18120	R5CPTE18120	-	R5CRE18120	R1ZE1241
1800	1200	500	R1DTB125	R5DL1850	R5CPE18120	R5CPTE18120	-	R5CRE18120	R1ZE1251
1800	1200	600	R1DTB126	R5DL1860	R5CPE18120	R5CPTE18120	-	R5CRE18120	R1ZE1261
2000	600	300	R1DTB63	R5DL2030	R5CPE2060	R5CPTE2060	R5CPTED2060	R5CRE2060	R1ZE631
2000	600	400	R1DTB64	RSDL2040	R5CPE2060	R5CPTE2060	R5CPTED2060	R5CRE2060	R1ZE641
2000	600	500	R1DTB65	R5DL2050	R5CPE2060	R5CPTE2060	R5CPTED2060	R5CRE2060	R1ZE651
2000	600	600	R1DTB66	R5DL2060	R5CPE2060	R5CPTE2060	R5CPTED2060	R5CRE2060	R1ZE661
2000	800	300	R1DTB83	R5DL2030	R5CPE2080	R5CPTE2080	R5CPTED2080	R5CRE2080	R1ZE831
2000	800	400	R1DTB84	RSDL2040	R5CPE2080	R5CPTE2080	R5CPTED2080	R5CRE2080	R1ZE841
2000	800	500	R1DTB85	R5DL2050	R5CPE2080	R5CPTE2080	R5CPTED2080	R5CRE2080	R1ZE851
2000	800	600	R1DTB86	R5DL2060	R5CPE2080	R5CPTE2080	R5CPTED2080	R5CRE2080	R1ZE861
2000	1000	400	R1DTB104	RSDL2040	R5CPE20100	R5CPTE20100	-	R5CRE20100	R1ZE1041
2000	1000	500	R1DTB105	R5DL2050	R5CPE20100	R5CPTE20100	-	R5CRE20100	R1ZE1051
2000	1000	600	R1DTB106	R5DL2060	R5CPE20100	R5CPTE20100	-	R5CRE20100	R1ZE1061
2000	1200	400	R1DTB124	RSDL2040	R5CPE20120	R5CPTE20120	-	R5CRE20120	R1ZE1241
2000	1200	500	R1DTB125	R5DL2050	R5CPE20120	R5CPTE20120	-	R5CRE20120	R1ZE1251
2000	1200	600	R1DTB126	R5DL2060	R5CPE20120	R5CPTE20120	-	R5CRE20120	R1ZE1261

# DAE struttura



## Armadio composto da laterali, tetto e base.

- Realizzato in lamiera d'acciaio sp. 15/10 verniciato RAL 7035 epossipoliestere bucciato e fondo con ingresso cavi regolabile.

### Da ordinare separatamente:

- porta
- retro
- pannello di cablaggio
- zoccolo

Dimensioni armadio			
H	L	P	Armadio solo struttura
1000	600	300	R5DAE1063S
1000	600	400	R5DAE1064S
1000	800	300	R5DAE1083S
1000	800	400	R5DAE1084S
1000	1000	300	R5DAE10103S
1000	1000	400	R5DAE10104S
1200	600	300	R5DAE1263S
1200	600	400	R5DAE1264S
1200	800	300	R5DAE1283S
1200	800	400	R5DAE1284S
1200	1000	300	R5DAE12103S
1200	1000	400	R5DAE12104S
1400	600	300	R5DAE1463S
1400	600	400	R5DAE1464S
1400	800	300	R5DAE1483S
1400	800	400	R5DAE1484S
1400	1000	300	R5DAE14103S
1400	1000	400	R5DAE14104S

Dimensioni armadio			
H	L	P	Armadio solo struttura
1600	600	300	R5DAE1663S
1600	600	400	R5DAE1664S
1600	800	300	R5DAE1683S
1600	800	400	R5DAE1684S
1600	1000	300	R5DAE16103S
1600	1000	400	R5DAE16104S
1800	600	300	R5DAE1863S
1800	600	400	R5DAE1864S
1800	600	500	R5DAE1865S
1800	600	600	R5DAE1866S
1800	800	300	R5DAE1883S
1800	800	400	R5DAE1884S
1800	800	500	R5DAE1885S
1800	800	600	R5DAE1886S
1800	1000	400	R5DAE18104S
1800	1000	500	R5DAE18105S
1800	1000	600	R5DAE18106S
1800	1200	400	R5DAE18124S
1800	1200	500	R5DAE18125S
1800	1200	600	R5DAE18126S
2000	600	300	R5DAE2063S
2000	600	400	R5DAE2064S
2000	600	500	R5DAE2065S
2000	600	600	R5DAE2066S
2000	800	300	R5DAE2083S
2000	800	400	R5DAE2084S
2000	800	500	R5DAE2085S
2000	800	600	R5DAE2086S
2000	1000	400	R5DAE20104S
2000	1000	500	R5DAE20105S
2000	1000	600	R5DAE20106S
2000	1200	400	R5DAE20124S
2000	1200	500	R5DAE20125S
2000	1200	600	R5DAE20126S

## DAE struttura e retro



### Armadio composto da laterali, tetto, base e retro.

- Realizzato in lamiera d'acciaio sp. 15/10 verniciato RAL 7035 epossipoliestere bucciato e fondo con ingresso cavi regolabile.

### Da ordinare separatamente:

- porta
- pannello di cablaggio
- zoccolo

Dimensioni armadio			
H	L	P	Armadio con retro
1000	600	300	R5DAE1063R
1000	600	400	R5DAE1064R
1000	800	300	R5DAE1083R
1000	800	400	R5DAE1084R
1000	1000	300	R5DAE10103R
1000	1000	400	R5DAE10104R
1200	600	300	R5DAE1263R
1200	600	400	R5DAE1264R
1200	800	300	R5DAE1283R
1200	800	400	R5DAE1284R
1200	1000	300	R5DAE12103R
1200	1000	400	R5DAE12104R
1400	600	300	R5DAE1463R
1400	600	400	R5DAE1464R
1400	800	300	R5DAE1483R
1400	800	400	R5DAE1484R
1400	1000	300	R5DAE14103R
1400	1000	400	R5DAE14104R

Dimensioni armadio			
H	L	P	Armadio con retro
1600	600	300	R5DAE1663R
1600	600	400	R5DAE1664R
1600	800	300	R5DAE1683R
1600	800	400	R5DAE1684R
1600	1000	300	R5DAE16103R
1600	1000	400	R5DAE16104R
1800	600	300	R5DAE1863R
1800	600	400	R5DAE1864R
1800	600	500	R5DAE1865R
1800	600	600	R5DAE1866R
1800	800	300	R5DAE1883R
1800	800	400	R5DAE1884R
1800	800	500	R5DAE1885R
1800	800	600	R5DAE1886R
1800	1000	400	R5DAE18104R
1800	1000	500	R5DAE18105R
1800	1000	600	R5DAE18106R
1800	1200	400	R5DAE18124R
1800	1200	500	R5DAE18125R
1800	1200	600	R5DAE18126R
2000	600	300	R5DAE2063R
2000	600	400	R5DAE2064R
2000	600	500	R5DAE2065R
2000	600	600	R5DAE2066R
2000	800	300	R5DAE2083R
2000	800	400	R5DAE2084R
2000	800	500	R5DAE2085R
2000	800	600	R5DAE2086R
2000	1000	400	R5DAE20104R
2000	1000	500	R5DAE20105R
2000	1000	600	R5DAE20106R
2000	1200	400	R5DAE20124R
2000	1200	500	R5DAE20125R
2000	1200	600	R5DAE20126R

# DAE armadio con porta cieca



**Armadio composto da laterali, tetto, base, retro e porta cieca.**

- Realizzato in lamiera d'acciaio sp. 15/10 verniciato RAL 7035 epossipoliestere bucciato e fondo con ingresso cavi regolabile.

**Da ordinare separatamente:**

- pannello di cablaggio
- zoccolo

## Dimensioni armadio

H	L	P	Armadio con porta cieca
1000	600	300	R5DAE1063
1000	600	400	R5DAE1064
1000	800	300	R5DAE1083
1000	800	400	R5DAE1084
1000	1000	300	R5DAE10103
1000	1000	400	R5DAE10104
1200	600	300	R5DAE1263
1200	600	400	R5DAE1264
1200	800	300	R5DAE1283
1200	800	400	R5DAE1284
1200	1000	300	R5DAE12103
1200	1000	400	R5DAE12104
1400	600	300	R5DAE1463
1400	600	400	R5DAE1464
1400	800	300	R5DAE1483
1400	800	400	R5DAE1484
1400	1000	300	R5DAE14103
1400	1000	400	R5DAE14104

## Dimensioni armadio

H	L	P	Armadio con porta cieca
1600	600	300	R5DAE1663
1600	600	400	R5DAE1664
1600	800	300	R5DAE1683
1600	800	400	R5DAE1684
1600	1000	300	R5DAE16103
1600	1000	400	R5DAE16104
1800	600	300	R5DAE1863
1800	600	400	R5DAE1864
1800	600	500	R5DAE1865
1800	600	600	R5DAE1866
1800	800	300	R5DAE1883
1800	800	400	R5DAE1884
1800	800	500	R5DAE1885
1800	800	600	R5DAE1886
1800	1000	400	R5DAE18104
1800	1000	500	R5DAE18105
1800	1000	600	R5DAE18106
1800	1200	400	R5DAE18124
1800	1200	500	R5DAE18125
1800	1200	600	R5DAE18126
2000	600	300	R5DAE2063
2000	600	400	R5DAE2064
2000	600	500	R5DAE2065
2000	600	600	R5DAE2066
2000	800	300	R5DAE2083
2000	800	400	R5DAE2084
2000	800	500	R5DAE2085
2000	800	600	R5DAE2086
2000	1000	400	R5DAE20104
2000	1000	500	R5DAE20105
2000	1000	600	R5DAE20106
2000	1200	400	R5DAE20124
2000	1200	500	R5DAE20125
2000	1200	600	R5DAE20126

# DAE armadio con porta trasparente



**Armadio composto da laterali, tetto, base, retro e porta trasparente.**

- Realizzato in lamiera d'acciaio sp. 15/10 verniciato RAL 7035 epossipoliestere bucciato e **fondo con ingresso cavi regolabile.**

**Da ordinare separatamente:**

- pannello di cablaggio
- zoccolo

Dimensioni armadio			
H	L	P	Armadio con porta trasp.
1000	600	300	R5DAE1063X
1000	600	400	R5DAE1064X
1000	800	300	R5DAE1083X
1000	800	400	R5DAE1084X
1000	1000	300	R5DAE10103X
1000	1000	400	R5DAE10104X
1200	600	300	R5DAE1263X
1200	600	400	R5DAE1264X
1200	800	300	R5DAE1283X
1200	800	400	R5DAE1284X
1200	1000	300	R5DAE12103X
1200	1000	400	R5DAE12104X
1400	600	300	R5DAE1463X
1400	600	400	R5DAE1464X
1400	800	300	R5DAE1483X
1400	800	400	R5DAE1484X
1400	1000	300	R5DAE14103X
1400	1000	400	R5DAE14104X

Dimensioni armadio			
H	L	P	Armadio con porta trasp.
1600	600	300	R5DAE1663X
1600	600	400	R5DAE1664X
1600	800	300	R5DAE1683X
1600	800	400	R5DAE1684X
1600	1000	300	R5DAE16103X
1600	1000	400	R5DAE16104X
1800	600	300	R5DAE1863X
1800	600	400	R5DAE1864X
1800	600	500	R5DAE1865X
1800	600	600	R5DAE1866X
1800	800	300	R5DAE1883X
1800	800	400	R5DAE1884X
1800	800	500	R5DAE1885X
1800	800	600	R5DAE1886X
1800	1000	400	R5DAE18104X
1800	1000	500	R5DAE18105X
1800	1000	600	R5DAE18106X
1800	1200	400	R5DAE18124X
1800	1200	500	R5DAE18125X
1800	1200	600	R5DAE18126X
2000	600	300	R5DAE2063X
2000	600	400	R5DAE2064X
2000	600	500	R5DAE2065X
2000	600	600	R5DAE2066X
2000	800	300	R5DAE2083X
2000	800	400	R5DAE2084X
2000	800	500	R5DAE2085X
2000	800	600	R5DAE2086X
2000	1000	400	R5DAE20104X
2000	1000	500	R5DAE20105X
2000	1000	600	R5DAE20106X
2000	1200	400	R5DAE20124X
2000	1200	500	R5DAE20125X
2000	1200	600	R5DAE20126X

# DAE armadio con porta in vetro serigrafato



**Armadio composto da laterali, tetto, base, retro e porta in vetro serigrafato.**

- Realizzato in lamiera d'acciaio sp. 15/10 verniciato RAL 7035 epossipoliestere bucciato e fondo con ingresso cavi regolabile.

**Da ordinare separatamente:**

- pannello di cablaggio
- zoccolo

## Dimensioni armadio

H	L	P	Armadio con porta in vetro serigrafato
1600	600	300	R5DAE1663V
1600	600	400	R5DAE1664V
1600	800	300	R5DAE1683V
1600	800	400	R5DAE1684V
1800	600	300	R5DAE1863V
1800	600	400	R5DAE1864V
1800	600	500	R5DAE1865V
1800	600	600	R5DAE1866V
1800	800	300	R5DAE1883V
1800	800	400	R5DAE1884V
1800	800	500	R5DAE1885V
1800	800	600	R5DAE1886V
2000	600	300	R5DAE2063V
2000	600	400	R5DAE2064V
2000	600	500	R5DAE2065V
2000	600	600	R5DAE2066V
2000	800	300	R5DAE2083V
2000	800	400	R5DAE2084V
2000	800	500	R5DAE2085V
2000	800	600	R5DAE2086V

# Accessori DAE

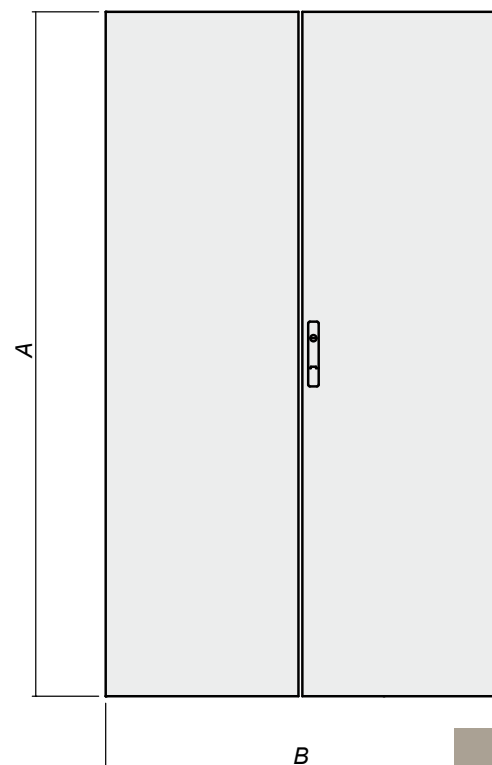
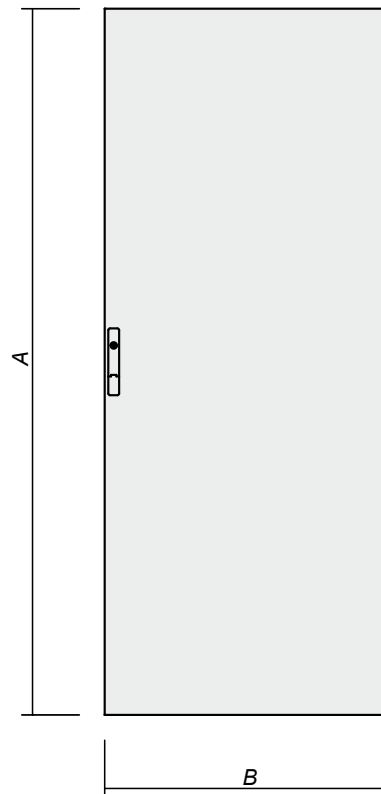


## PORTA CIECA

- Realizzata in lamiera d'acciaio sp. 20/10 verniciata RAL 7035 bucciato con bordi antinfortunistici.
- Telaio interno di rinforzo in tubolare zincato.
- 4 cerniere e 4 punti di chiusura.
- Mostrina di chiusura con inserto tipo aletta doppio pettine Ø 3 mm.

	Dimensioni armadio		Dimensioni porta	
	Altezza H	Larghezza L	Altezza A	Larghezza B
R5CPE1060	1000	600	955	594
R5CPE1080	1000	800	955	794
R5CPE10100	1000	1000	955	994
R5CPE1260	1200	600	1155	594
R5CPE1280	1200	800	1155	794
R5CPE12100	1200	1000	1155	994
R5CPE1460	1400	600	1355	594
R5CPE1480	1400	800	1355	794
R5CPE14100	1400	1000	1355	994
R5CPE1660	1600	600	1555	594
R5CPE1680	1600	800	1555	794
R5CPE16100	1600	1000	1555	994
R5CPE1860	1800	600	1755	594
R5CPE1880	1800	800	1755	794
R5CPE18100	1800	1000	1755	994
R5CPE18120 <sup>1</sup>	1800	1200	1755	1194
R5CPE2060	2000	600	1955	594
R5CPE2080	2000	800	1955	794
R5CPE20100	2000	1000	1955	994
R5CPE20120 <sup>1</sup>	2000	1200	1955	1194

<sup>1</sup> Porta a doppia anta





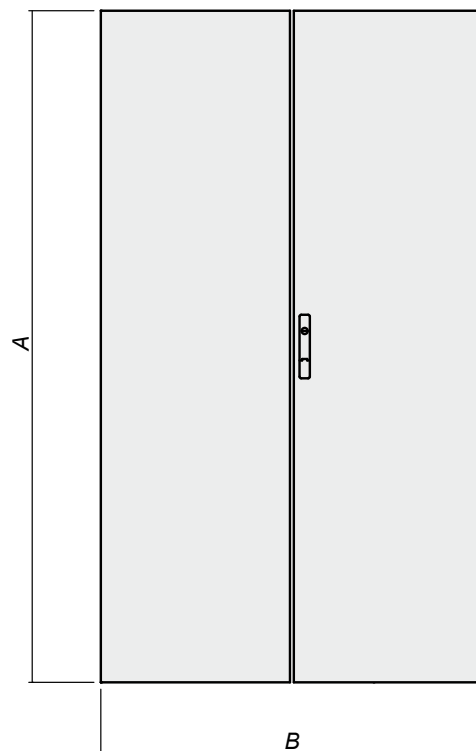
## Accessori DAE



### PORTA CIECA A DOPPIA ANTA

- Realizzata in lamiera d'acciaio sp. 20/10 verniciata RAL 7035 bucciato con bordi raggiati antinfortunistici.
- Telaio interno di rinforzo in tubolare zincato.
- 8 cerniere e 4 punti di chiusura.
- Mostrina di chiusura con inserto tipo aletta doppio pettine Ø 3 mm.
- Disponibili a richiesta porte in battuta di diverse dimensioni (es. L = 1000 = 400 + 600).

Codice	Dimensioni armadio		Dimensioni porta	
	Altezza H	Larghezza L	Altezza A	Larghezza B
R5CPE1481	1400	800	1355	794
R5CPE1681	1600	800	1555	794
R5CPE16101	1600	1000	1555	994
R5CPE1881	1800	800	1755	794
R5CPE18101	1800	1000	1755	994
R5CPE2081	2000	800	1955	794
R5CPE20101	2000	1000	1955	994



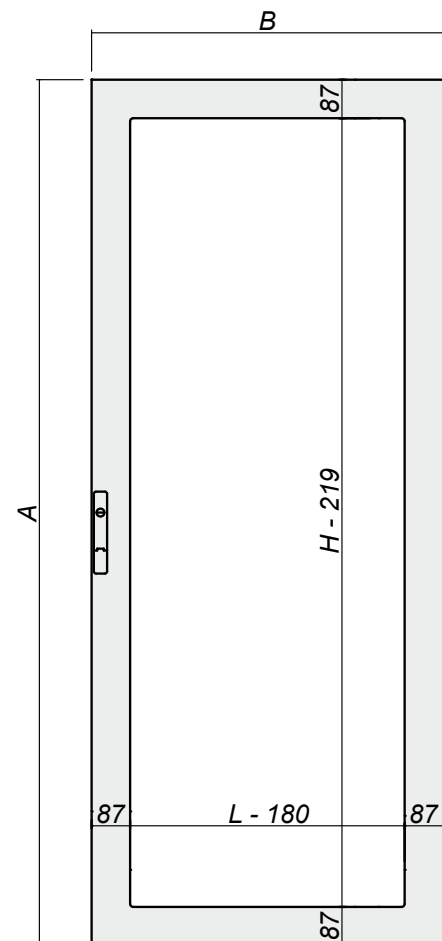
# Accessori DAE

## PORTA TRASPARENTE



- Realizzata in lamiera d'acciaio sp. 20/10 verniciata RAL 7035 bucciato, con bordi raggiati antinfortunistici.
- 4 cerniere.
- 4 punti di chiusura.
- Chiusura completa di inserto tipo aletta doppio pettine Ø 3 mm.
- Vetro di sicurezza sp. 40/10.

Codice	Dimensioni armadio		Dimensioni porta trasparente	
	Altezza H	Larghezza L	A	B
R5CPTE1060	1000	600	955	594
R5CPTE1080	1000	800	955	794
R5CPTE10100	1000	1000	955	994
R5CPTE1260	1200	600	1155	594
R5CPTE1280	1200	800	1155	794
R5CPTE12100	1200	1000	1155	994
R5CPTE1460	1400	600	1355	594
R5CPTE1480	1400	800	1355	794
R5CPTE14100	1400	1000	1355	994
R5CPTE1660	1600	600	1555	594
R5CPTE1680	1600	800	1555	794
R5CPTE16100	1600	1000	1555	994
R5CPTE1860	1800	600	1755	594
R5CPTE1880	1800	800	1755	794
R5CPTE18100	1800	1000	1755	994
R5CPTE18120	1800	1200	1755	1194
R5CPTE2060	2000	600	1955	594
R5CPTE2080	2000	800	1955	794
R5CPTE20100	2000	1000	1955	994
R5CPTE20120	2000	1200	1955	1194



## PORTA IN VETRO SERIGRAFATO

- Realizzata in lamiera d'acciaio sp. 20/10 verniciata RAL 7035 bucciato, con bordi raggiati antinfortunistici.
- 4 cerniere
- 4 punti di chiusura
- Chiusura completa di inserto tipo aletta doppio pettine Ø 3 mm.
- Vetro di sicurezza serigrafato fumè spessore 4 mm.



Codice	Altezza H	Largh. L
R5CPTED1660	1600	600
R5CPTED1680	1600	800
R5CPTED1860	1800	600
R5CPTED1880	1800	800
R5CPTED2060	2000	600
R5CPTED2080	2000	800

# Accessori DAE



## RETRO

- Realizzato in acciaio sp. 15/10 verniciato RAL 7035 bucciato, con bordi raggiati antinfortunistici.
- 8 o più punti di fissaggio alla struttura.

Codice	Dimensioni armadio		Dimensioni retro	
	Altezza H	Larghezza L	Altezza A	Larghezza B
R5CRE1060	1000	600	955	594
R5CRE1080	1000	800	955	794
R5CRE10100	1000	1000	955	994
R5CRE1260	1200	600	1155	594
R5CRE1280	1200	800	1155	794
R5CRE12100	1200	1000	1155	994
R5CRE1460	1400	600	1355	594
R5CRE1480	1400	800	1355	794
R5CRE14100	1400	1000	1355	994
R5CRE1660	1600	600	1555	594
R5CRE1680	1600	800	1555	794
R5CRE16100	1600	1000	1555	994
R5CRE1860	1800	600	1755	594
R5CRE1880	1800	800	1755	794
R5CRE18100	1800	1000	1755	994
R5CRE18120	1800	1200	1755	1194
R5CRE2060	2000	600	1955	594
R5CRE2080	2000	800	1955	794
R5CRE20100	2000	1000	1955	994
R5CRE20120	2000	1200	1955	1194

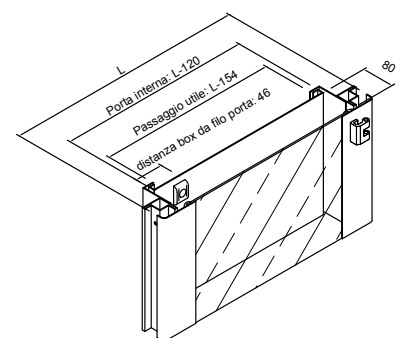
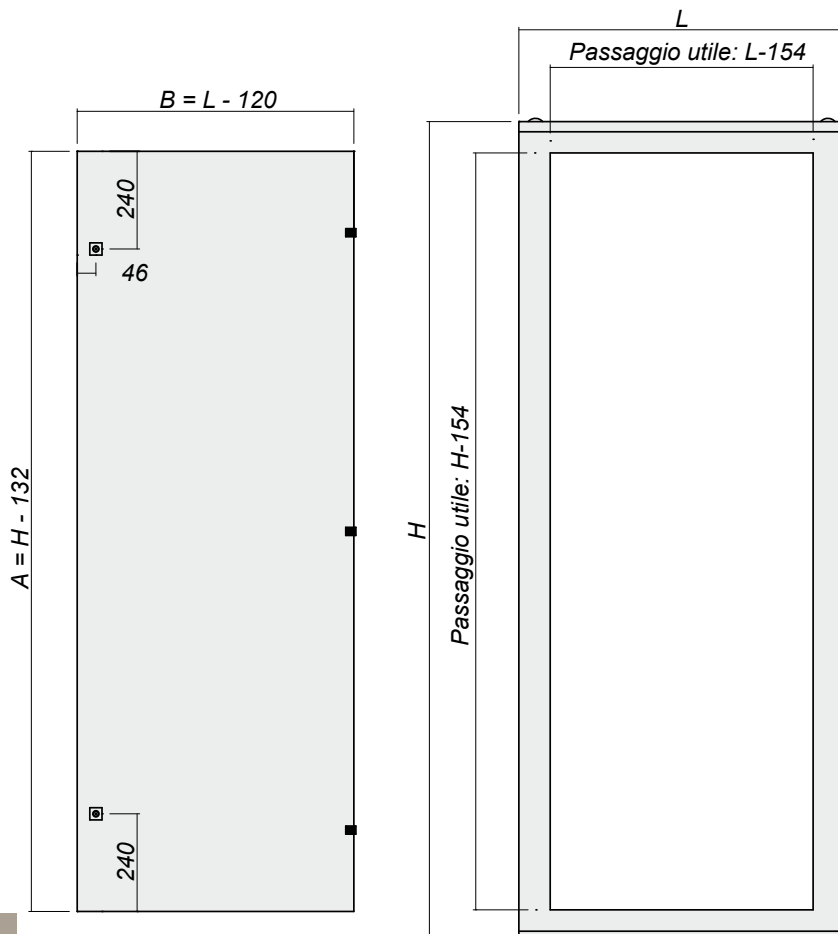


## Accessori DAE



### PORTA INTERNA

- Realizzata in lamiera d'acciaio sp. 20/10 ribordata e verniciata RAL 7035 bucciato.
- Confezione da 1 pezzo completa di montanti e traverse orizzontali di fissaggio alla struttura.
- Grado di protezione IP 20 secondo EN 60529.
- Fornita di accessori per il montaggio.



Codice	Dimensioni armadio		Dimensioni porta interna		Passaggio utile	
	Altezza H	Larghezza L	A	B		
R5PIE1060	1000	600	868	480	846	446
R5PIE1080	1000	800	868	680	846	646
R5PIE10100	1000	1000	868	880	846	846
R5PIE1260	1200	600	1068	480	1046	446
R5PIE1280	1200	800	1068	680	1046	646
R5PIE12100	1200	1000	1068	880	1046	846
R5PIE1460	1400	600	1268	480	1246	446
R5PIE1480	1400	800	1268	680	1246	646
R5PIE14100	1400	1000	1268	880	1246	868
R5PIE1660	1600	600	1468	480	1446	446
R5PIE1680	1600	800	1468	680	1446	646
R5PIE16100	1600	1000	1468	880	1446	846
R5PIE1860	1800	600	1668	480	1646	446
R5PIE1880	1800	800	1668	680	1646	646
R5PIE18100	1800	1000	1668	880	1646	846
R5PIE2060	2000	600	1868	480	1846	446
R5PIE2080	2000	800	1868	680	1846	646
R5PIE20100	2000	1000	1868	880	1846	846



.....

.....

.....

.....

.....

.....

.....

.....

.....

.....

## Accessori DAE



### PANNELLO DI CABLAGGIO

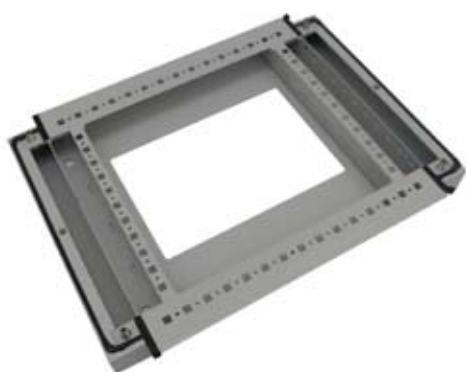
- Realizzato in lamiera d'acciaio zincata sendzimir sp. 25/10 oppure 30/10 (in relazione alla dimensione).
- Distanza massima tra la porta e il pannello di cablaggio pari a  $P - 82$ . Ad esempio: per un armadio profondo 500 mm la distanza massima tra porta e pannello di cablaggio è pari a  $500 - 82 = 418$ .
- Possibilità di arretramento massimo a filo della struttura tramite kit opzionale art. RZAE06. Con questo accessorio la distanza massima tra porta e pannello di cablaggio è pari a  $P - 57$ .

**Attenzione: si consiglia l'uso di guanti appropriati durante la movimentazione dei pannelli di cablaggio (Artt. 41-42-43 DLG 626/94).**

Codice	Dimensioni armadio		Dimensioni pannello di cablaggio	
	Altezza H	Larghezza L	A	B
RZPCE1060	1000	600	883	486
RZPCE1080	1000	800	883	686
RZPCE10100	1000	1000	883	886
RZPCE1260	1200	600	1083	486
RZPCE1280	1200	800	1083	686
RZPCE12100	1200	1000	1083	886
RZPCE1460	1400	600	1283	486
RZPCE1480	1400	800	1283	686
RZPCE14100	1400	1000	1283	886
RZPCE1660	1600	600	1483	486
RZPCE1680	1600	800	1483	686
RZPCE16100	1600	1000	1483	886
RZPCE1860	1800	600	1683	486
RZPCE1880	1800	800	1683	686
RZPCE18100	1800	1000	1683	886
RZPCE18120	1800	1200	1683	1086
RZPCE2060	2000	600	1883	486
RZPCE2080	2000	800	1883	686
RZPCE20100	2000	1000	1883	886
RZPCE20120	2000	1200	1883	1086

## TETTO E BASE

- Realizzato in lamiera d'acciaio sp. 15/10 verniciato RAL 7011 bucciato per il tetto e RAL 7035 bucciato per la base.
- Completo di **fondo con ingresso cavi regolabile**



Codice	Dimensioni armadio	
	Larghezza L	Profondità P
R1DTB63	600	300
R1DTB64	600	400
R1DTB83	800	300
R1DTB84	800	400
R1DTB103	1000	300
R1DTB104	1000	400
R1DTB105	1000	500
R1DTB106	1000	600
R1DTB124	1200	400
R1DTB125	1200	500
R1DTB126	1200	600



.....

.....

.....

.....

.....

.....

.....

.....

.....

.....



## Accessori DAE

### LATERALI PER DAE

- Realizzati in lamiera d'acciaio sp. 15/10 verniciata RAL 7035 bucciato.
- Confezione da 2 pezzi completa di accessori per il montaggio.



Codice	Dimensioni armadio	
	Altezza H	Profondità P
R5DL1030	1000	300
R5DL1040	1000	400
R5DL1230	1200	300
R5DL1240	1200	400
R5DL1430	1400	300
R5DL1440	1400	400
R5DL1630	1600	300
R5DL1640	1600	400
R5DL1830	1800	300
R5DL1840	1800	400
R5DL1850	1800	500
R5DL1860	1800	600
R5DL2030	2000	300
R5DL2040	2000	400
R5DL2050	2000	500
R5DL2060	2000	600

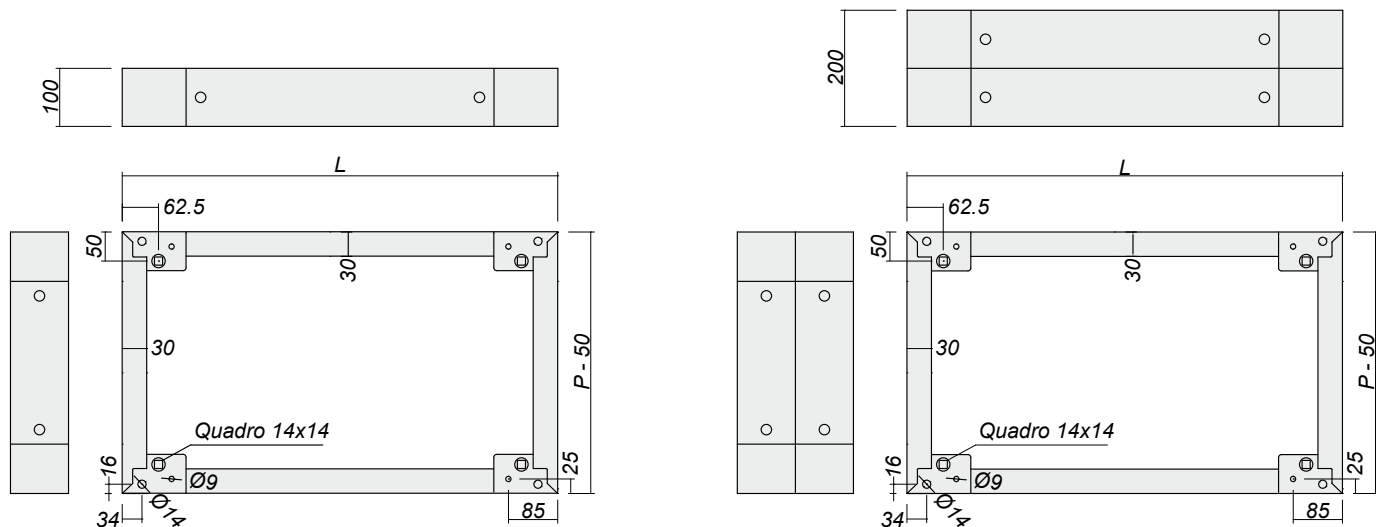
# Accessori DAE

## ZOCOLI PER DAE

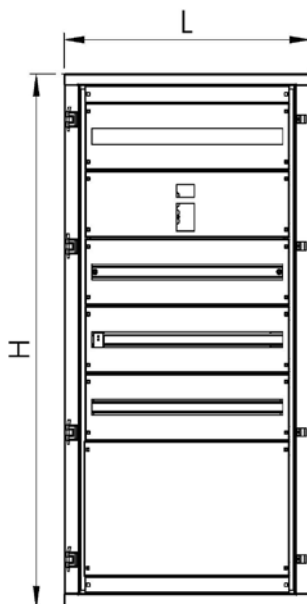
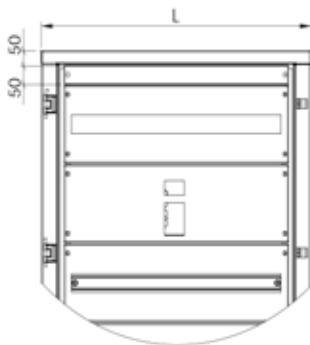
- Realizzato in lamiera d'acciaio sp. 20/10 verniciato RAL 7011 bucciato.
- Fronte, retro e fianchi asportabili per permettere un facile passaggio dei cavi.
- Altezza 100 e 200 mm.
- Completo di viteria per il montaggio.



Dim. armadio profond. largh.	Altezza 100 mm				Altezza 200 mm			
	300	400	500	600	300	400	500	600
<b>600</b>	R1ZE631	R1ZE641	R1ZE651	R1ZE661	R1ZE632	R1ZE642	R1ZE652	R1ZE662
<b>800</b>	R1ZE831	R1ZE841	R1ZE851	R1ZE861	R1ZE832	R1ZE842	R1ZE852	R1ZE862
<b>1000</b>	-	R1ZE1041	R1ZE1051	R1ZE1061	-	R1ZE1042	R1ZE1052	R1ZE1062
<b>1200</b>	-	R1ZE1241	R1ZE1251	R1ZE1261	-	R1ZE1242	R1ZE1252	R1ZE1262



# Modularita' interna per DAE



## PANNELLI DI COMPENSAZIONE

- realizzati in lamiera d'acciaio sp. 15/10 verniciati RAL 7035 bucciato.
- confezione da 2 pezzi completa di accessori per il montaggio.

Codice	Larghezza armadio
R5PCD60	600
R5PCD80	800



pannello di compensazione

## PANNELLI MODULARI

- realizzati in lamiera d'acciaio sp. 15/10 verniciati RAL 7035 bucciato.
- i pannelli con cava per moduli DIN sono comprensivi di relativa guida DIN.
- confezione da 1 pezzo completa di accessori per il montaggio.

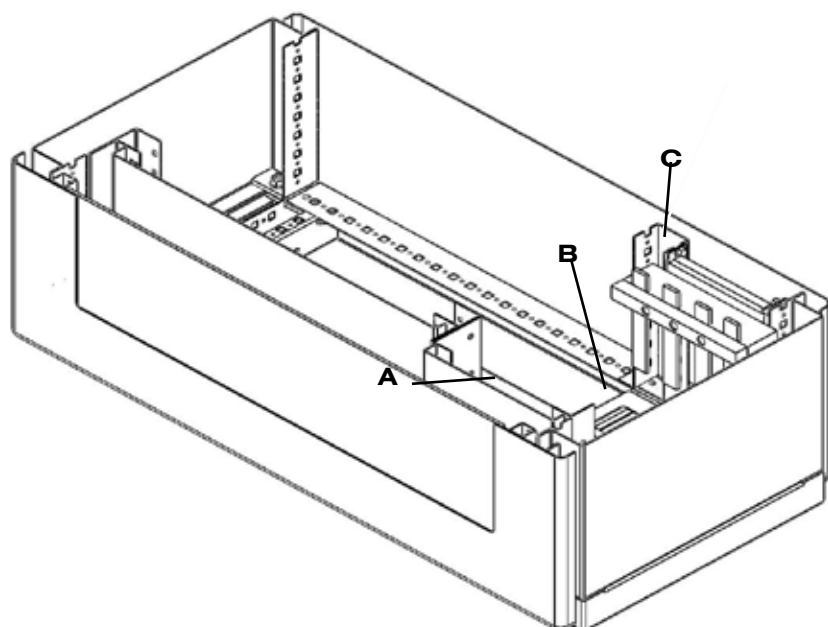
Codice		Altezza nomin. cella	Descrizione foratura	
largh. 600	largh. 800		largh. 600	largh. 800
R5PI520	R5PI720	200	pannello cieco	
R5PI530	R5PI730	300	pannello cieco	
R5PI540	R5PI740	400	pannello cieco	
R5PI560	R5PI760	600	pannello cieco	
R5PI580	R5PI780	800	pannello cieco	
R5PI5100	R5PI5100	1000	pannello cieco	
R5PI521	R5PI721	200	1cava da 24 moduli	1cava da 34 moduli
R5PI541	R5PI741	400	2 cave da 24 moduli	2 cave da 34 moduli
R5PI561	R5PI761	600	3 cave da 24 moduli	3 cave da 34 moduli
R5PI522	R5PI722	200	2 fori 68x68 mm	
R5PI524	R5PI724	200	4 fori 68x68 mm +1 foro- 10mm	

## PANNELLO MODULARE DI ARRETRAMENTO

- realizzato in lamiera d'acciaio sp.15/10 verniciato RAL7035 bucciato
- consente l'utilizzo di interruttori con leva comando alta fino a 100 mm
- confezione da 1 pezzo completa di accessori per il montaggio.

Codice		Altezza nominale cella	Distanza porta-incasso
largh. 600	largh. 800		
R5PA6040	R5PA8040	400	110mm
R5PA6060	R5PA8060	600	110mm

# Modularita' interna per DAE



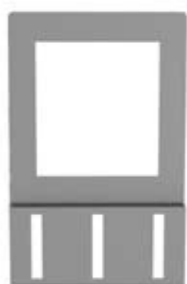
## MODULARITA' INTERNA CON FASCIA LATERALE DA 200

Valido per larghezza armadio 800 (600+200)

- A. Fascia laterale con porta.
- B. Coppia di traverse intermedie (montate in profondità).
- C. Montante posteriore.

- Completa di viteria per il montaggio.

Codice	Altezza armadio	Profond. armadio
R5PFI1640	1600	400
R5PFI1840	1800	400
R5PFI1850	1800	500
R5PFI1860	1800	600
R5PFI2040	2000	400
R5PFI2050	2000	500
R5PFI2060	2000	600



## STAFFE PORTA CANALINA PER STRUMENTI DI MISURA QUADRATI

- Realizzata in lamiera d'acciaio zincato sp.10/10
- Confezioni da 10 pezzi

Codice	Descrizione
RZDPC72	72x72
RZDPC 96	96x96



## STAFFE PORTA CANALINA PER PULSANTI

- Realizzata in lamiera d'acciaio zincato sp.10/10

Codice	Foro	Numero pezzi per confezione
RZDPC22	22	50
RZDPC30	30	30

## Modularita' interna per DAE

### STAFFE PER IL FISSAGGIO CANALINA DI CABLAGGIO POSTERIORE

#### codice RZDSF01

- Realizzata in lamiera d'acciaio sp.20/10 zincata fissata direttamente sui montanti (ART.TE)
- Permettono il fissaggio della canalina posteriore sia in verticale che in orizzontale (L.60mm MAX) e lo sfruttamento totale dello spazio per gli interruttori
- Confezione di 4 pezzi completa di viteria



### FISSAGGIO PER CANALINA DI CABLAGGIO ANTERIORE ORIZZONTALE

#### codice RZDSF02

- Realizzata in lamiera d'acciaio sp.20/10 zincata può essere fissata direttamente alla staffa ART.RZDSF01 oppure direttamente alla guida DIN
- Confezione da 10 pezzi completa di viteria per il montaggio



### GUIDA DIN REGOLABILE COMPLETA DI SUPPORTI

- N°1 guida DIN 35x15mm
- N°2 supporti realizzati in lamiera d'acciaio zincata sp. 20/10 regolabili in profondità montate direttamente al montante (ART.TE) permette il fissaggio delle apparecchiature modulari o non modulari in profondità. Può essere regolata da una quota min pari a 46mm a una massima di 118mm
- Confezione da 1 pezzo completa di viteria per il montaggio



Codice	Larghezza
RZDGR60	600
RZDGR80	800

## Modularita' interna per DAE



### TRAVERSA PORTA BARRE FRONTALE PER VANO CAVI DA 200

#### codice RZDT150

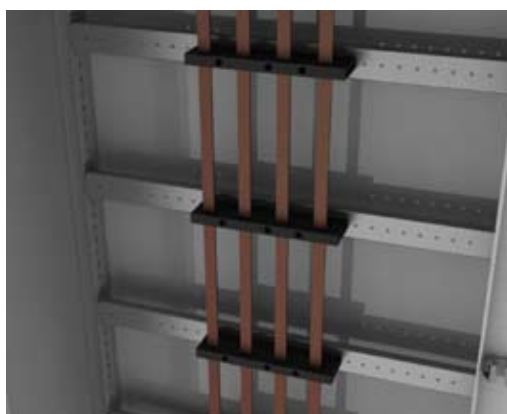
- Realizzata in lamiera d'acciaio zincata SENDZIMIR sp.20/10 il profilo è dotato di una fila di fori diametro 6 passo 25mm
- Confezione da 4 pezzi completa di viteria per il montaggio



### TRAVERSA DI FISSAGGIO SUPPORTI PER BARRE SUL FONDO DELL'ARMADIO H.44mm

- Realizzate in lamiera d'acciaio zincata SENDZIMIR sp.20/10 il profilo è dotato di una fila di fori diametro 6 passo 25mm
- Confezione da 4 pezzi completa di viteria per il montaggio

Codice	Per Armadio con larghezza
RZDTF60	600
RZDTF80	800
RZTDF100	1000
RZDTF120	1200



## Modularita' interna per DAE

### SUPPORTI LATERALI PER PANNELLO DI CABLAGGIO

- Realizzati in lamiera d'acciaio zincata sp.20/10, completo di viteria per il montaggio
- Supporti asolati per il fissaggio dei pannelli di cablaggio preforati per interruttori scatolati e ciechi.
- Regolabili in profondità
- Massima distanza pannello frontale e pannello di cablaggio 118 mm
- Confezione N°1 coppia



Codice	Altezza supporto	Altezza pannello di cablaggio
RZDSL20	200	200
RZDSL30	300	300
RZDSL40	400	400

### GUIDA DIN PER MORSETTIERE ORIZZONTALE

- Guida DIN 35x15 con supporti per il montaggio
- Viene fissata direttamente al montante (ART. TE)
- Confezioni da 1 pezzo completo di accessori e viteria per il montaggio



Codice	Larghezza
RZDGD60	600
RZDGD80	800

### STAFFA DI FISSAGGIO A PARETE PER DAE

- Realizzata in lamiera d'acciaio sp.30/10 verniciato RAL7011
- Da fissare esclusivamente sul tetto e alla parete
- Confezioni da 2 pezzi completa di viteria



Codice	Profondità
R1SFP30	300
R1SFP40	400

# Modularita' interna per DAE

## PANNELLI MODULARI E PANNELLI DI CABLAGGIO PREFORATI PER INTERRUTTORI SCATOLATI MAGNETOTERMICI CON O SENZA DIFFERENZIALE SOTTOPOSTO IN ESECUZIONE FISSA ORIZZONTALE

- Per interruttori 3/4 poli (il 4 polo pretranciato)
- Fissaggio con attacchi anteriori e posteriori

### Kit per montaggio orizzontale interruttori scatolati fissi; attacchi anteriori e posteriori

- Nella fornitura il kit comprende: il pannello preforato anteriore, il pannello di cablaggio preforato con accessori di montaggio
- Il pannello di cablaggio non comprende i supporti laterali ART RZDSL

### PANNELLO MODULARE PREFORATO PER IL MONTAGGIO CON MOSTRINA

- Realizzato in lamiera sp.15/10 in tinta RAL7035 bucciato
- Pannello incerniato reversibile (cerniere a DX e a SX premontate)
- Sistema di chiusura con viti imperdibili
- Accessori per il montaggio



### CODICI DI FORATURA INTERRUTTORI

**TAB.1 INTERRUTTORI BTICINO CON DIFFERENZIALE SOTTOPOSTO**

BTICINO	L600	L800	Num. Poli	H Pannello
M125	R5PD0160	R5PD0180	3/4	200
M160	R5PD0260	R5PD0280	3/4	200
M250	R5PD0360	R5PD0380	3/4	200
M160/250	R5PD0460	R5PD0480	3/4	200

**TAB.2 INTERRUTTORI ABB CON DIFFERENZIALE SOTTOPOSTO**

ABB	L600	L800	Num. Poli	H Pannello
TMAXT1	R5PD0560	R5DP0580	3/4	200
TMAXT2	R5PD0660	R5PD0680	3/4	200
TMAXT3	R5PD0760	R5PD0780	3/4	300

**TAB.3 INTERRUTTORI SCHNEIDER CON DIFFERENZIALE SOTTOPOSTO**

SCHNEIDER	L600	L800	Num. Poli	H Pannello
NSX 100/160/250	R5PD0860	R5PD0880	3/4	200

Altre tipologie di interruttori di marche diverse da quelle citate nelle tabelle 1 2 e 3 sono comunque installabili utilizzando pannelli **modulari** e di **cablaggio** ciechi.

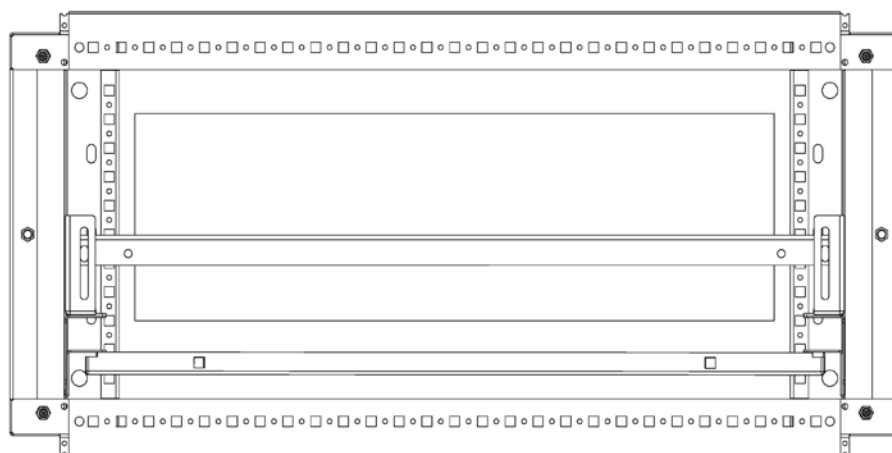


# Modularita' interna per DAE

## MONTANTI PER PANNELLI MODULARI.

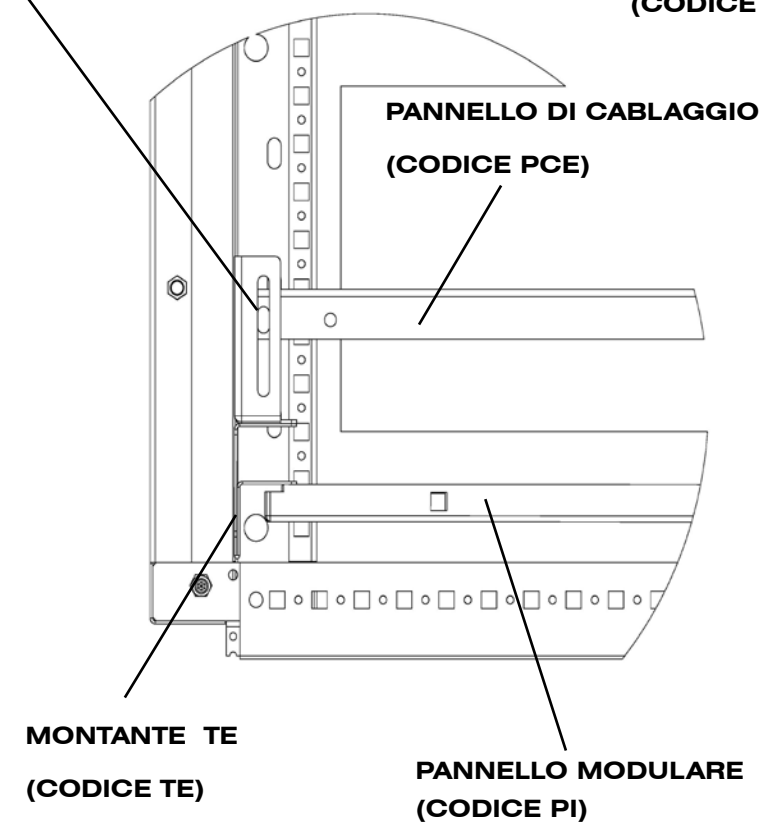
- Realizzati in lamiera d'acciaio sp.15/10 verniciati RAL7035
- Confezione da 2 pezzi completa di viteria per il montaggio

Codice	Altezza Armadio
R5TE14	1400
R5TE16	1600
R5TE18	1800
R5TE20	2000

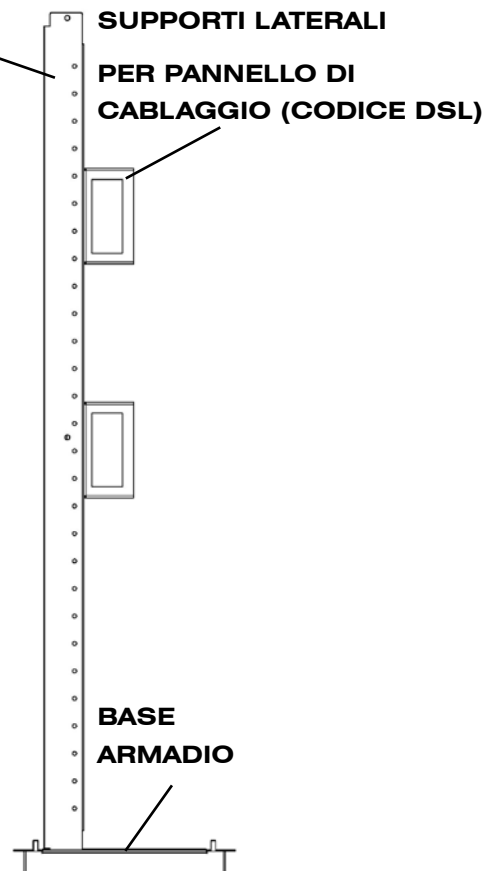


## SUPPORTI LATERALI

PER PANNELLO DI CABLAGGIO (CODICE DSL)



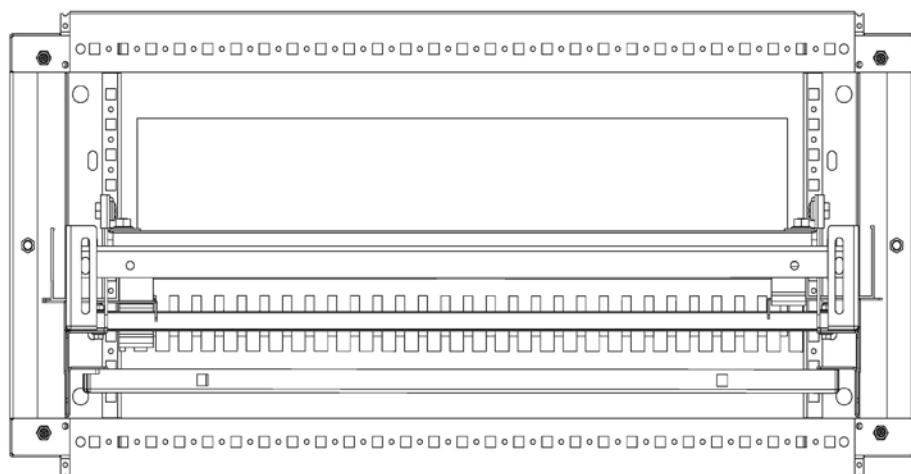
**MONTANTE TE (CODICE TE)**



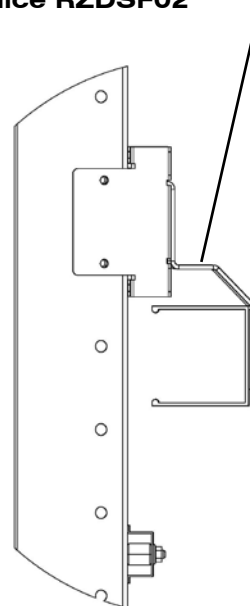
# Allestimento distribuzione

**Fissaggio per canalina di cablaggio anteriore orizzontale**

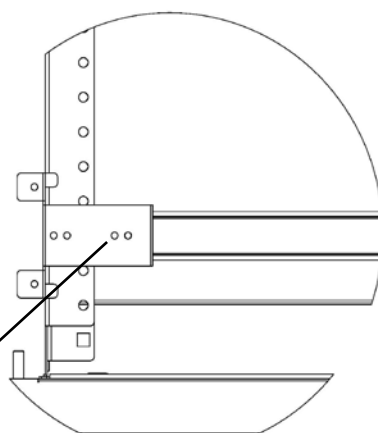
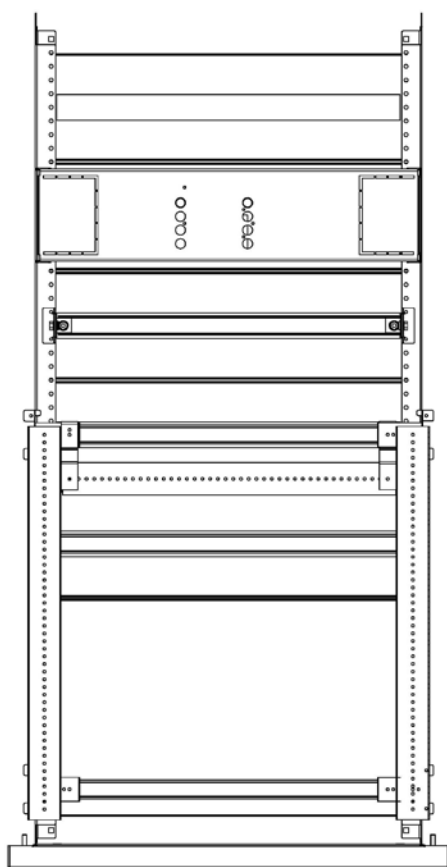
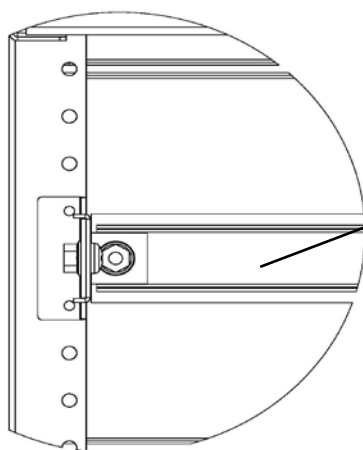
**codice RZDSF02**



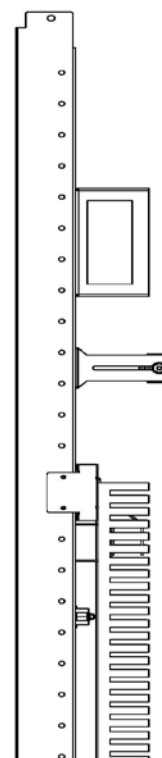
**FRONTE**



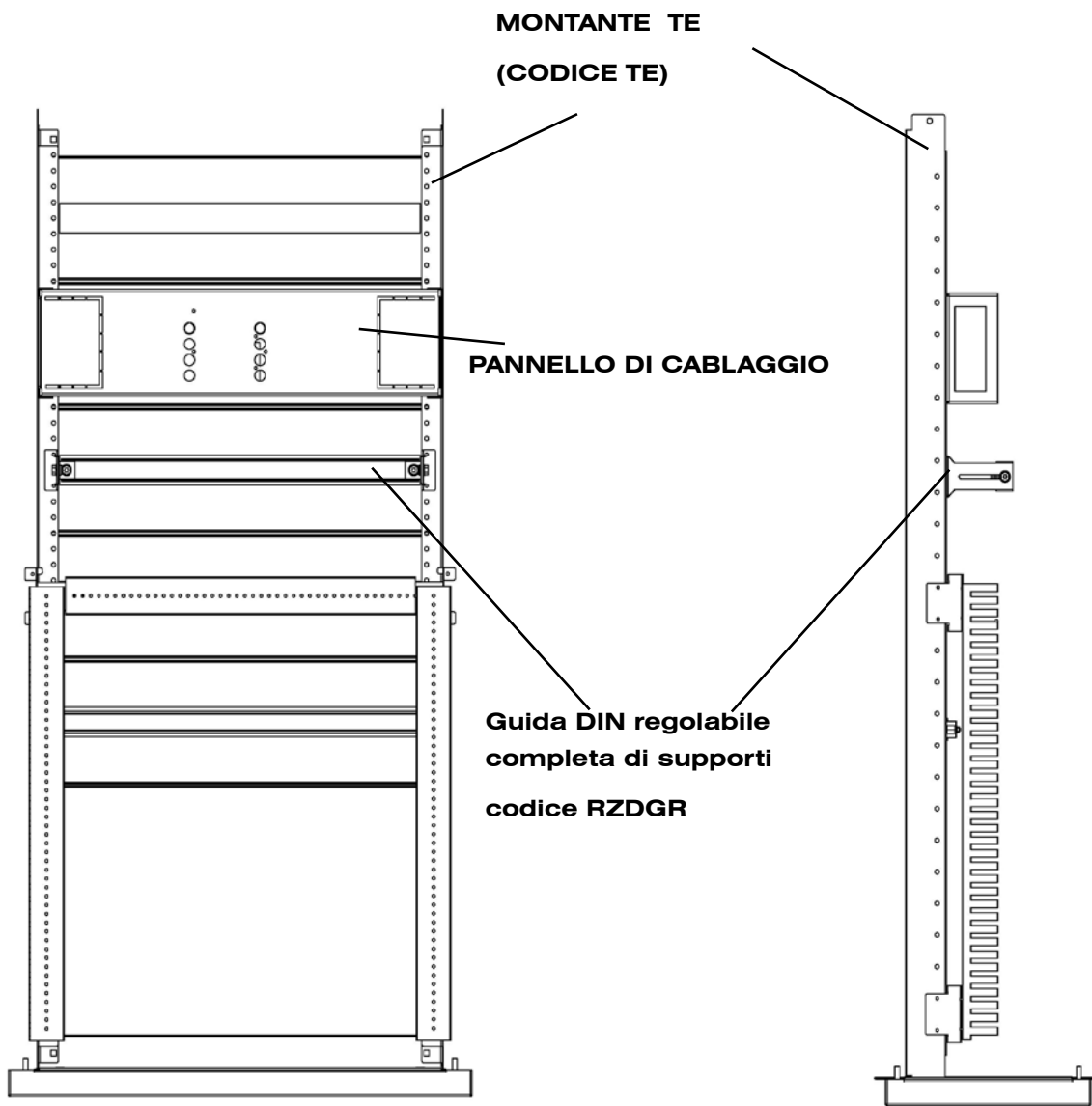
**Guida DIN regolabile completa di supporti**  
**codice RZDGR**



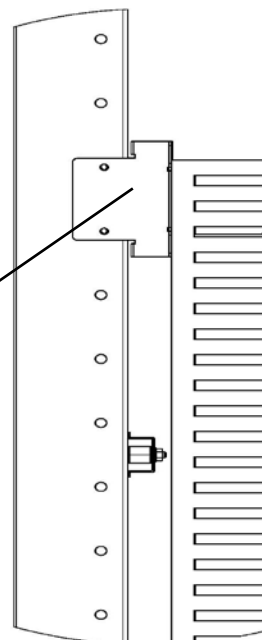
**Staffe per il fissaggio canalina di cablaggio posteriore**  
**codice RZDSF01**



# Allestimento distribuzione



**Staffe per il fissaggio canalina  
di cablaggio posteriore**  
codice RZDSF01





A large rectangular area containing 20 horizontal dotted lines, intended for writing or drawing.

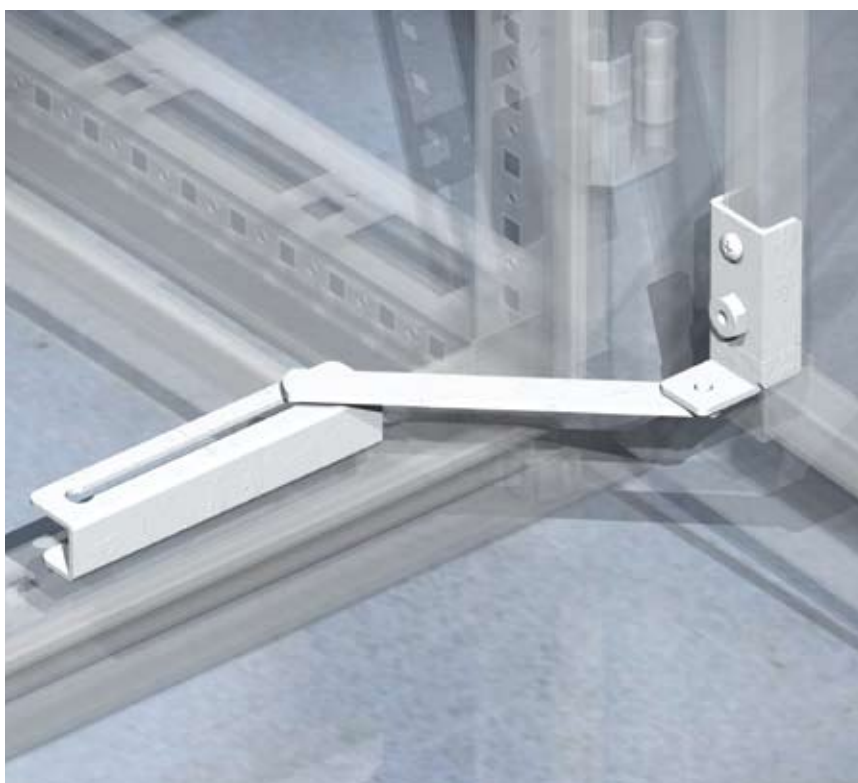
## Accessori DAE



### TRAVERSINO PER PORTA

- Realizzato in lamiera d'acciaio sp. 15/10 zincata sendzimir.
- Viene ancorato direttamente sul tubolare di rinforzo già presente sulle porte.
- Utilizzato come strumento di fissaggio per canaline o altri accessori.
- Confezione da 10 pezzi completa di viteria per il montaggio.

Codice	Larghezza porta
RZTPE60	600
RZTPE80	800
RZTPE100	1000

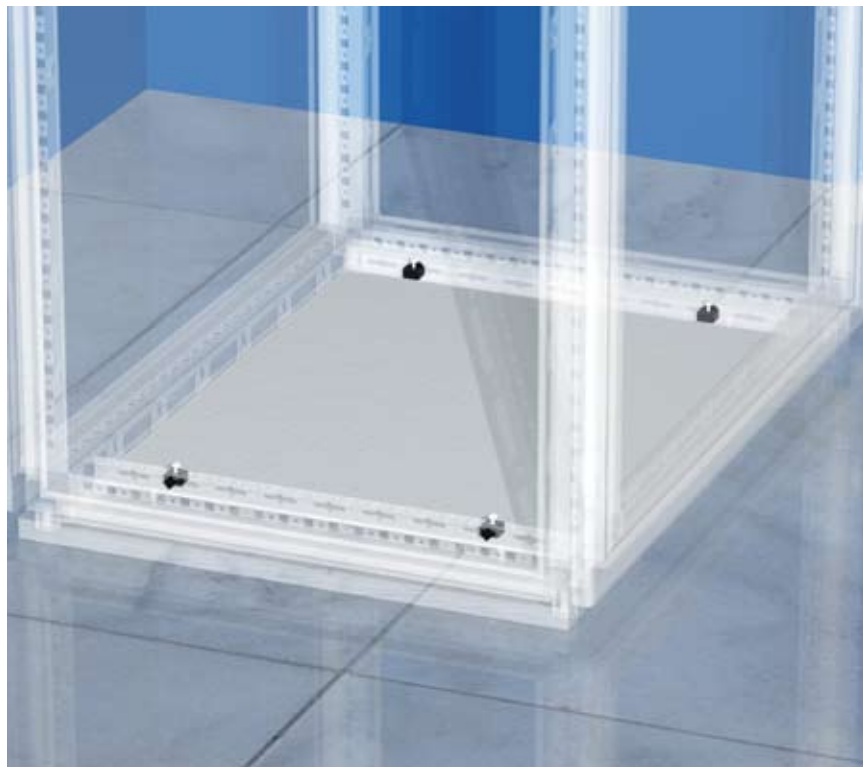


### BLOCCO PORTA

codice RZAE02

- Realizzato in lamiera d'acciaio sp. 20/10 zincata sendzimir.
- Studiato per impedire la chiusura accidentale della porta bloccandone l'apertura a 90°.
- Confezione da 1 pezzo completa di accessori per il montaggio.

## Accessori DAE



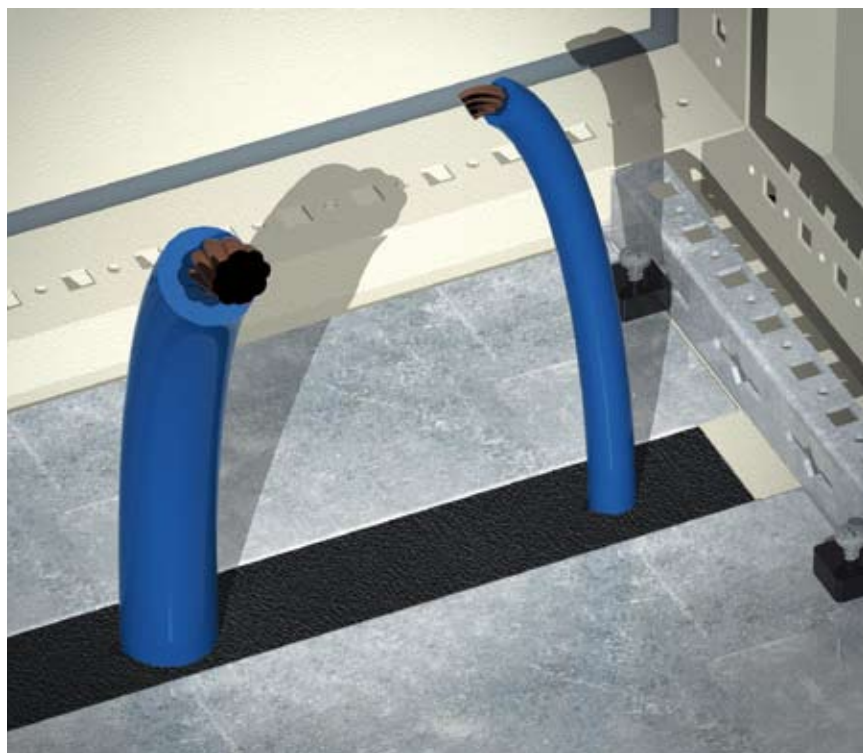
### FONDO UNICO PER ARMADI

**codice RZFUC**

- Realizzato in lamiera d'acciaio zincata sendzimir sp. 20/10.
- Accessorio supplementare indispensabile per garantire un grado di protezione IP65 secondo EN 60529.
- Dotato di guarnizione per la tenuta IP e di accessori per il montaggio.
- In fase d'ordine specificare larghezza e profondità dell'armadio.

Esempio per armadio R5DAE2086S:  
larghezza 800 mm  
profondità 600 mm  
fondo unico RZFUC86.

Esempio per armadio R5DAE20126S:  
larghezza 1200 mm  
profondità 600 mm  
fondo unico RZFUC126.

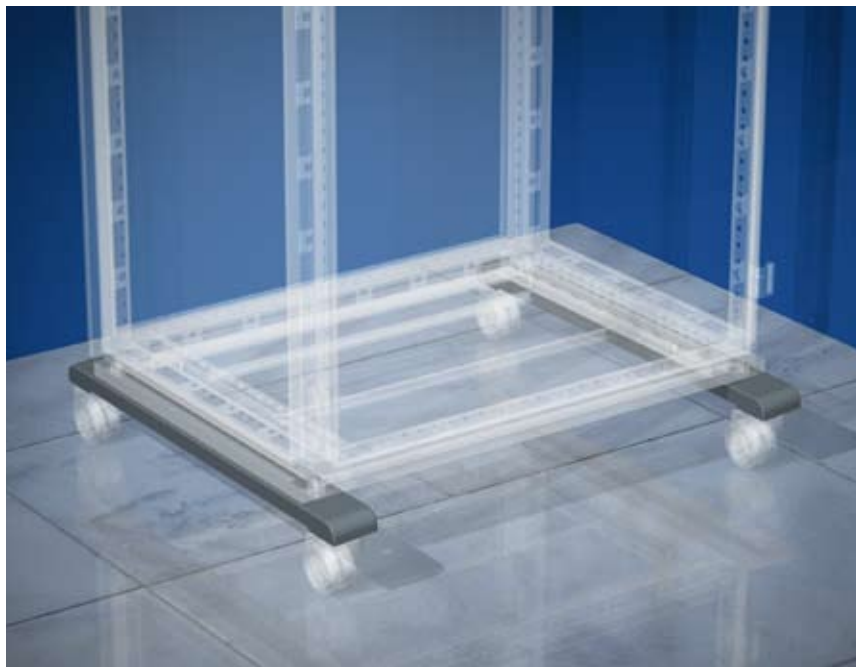


### PROFILI DI GUARNIZIONE TENUTA FONDO

- Permettono il passaggio dei cavi fornendo al contempo un adeguato grado di protezione.
- Dimensioni guarnizione: 25x25 mm.

Codice	Larghezza armadio
RZFPC600	600
RZFPC800	800
RZFPC1000	1000
RZFPC1200	1200

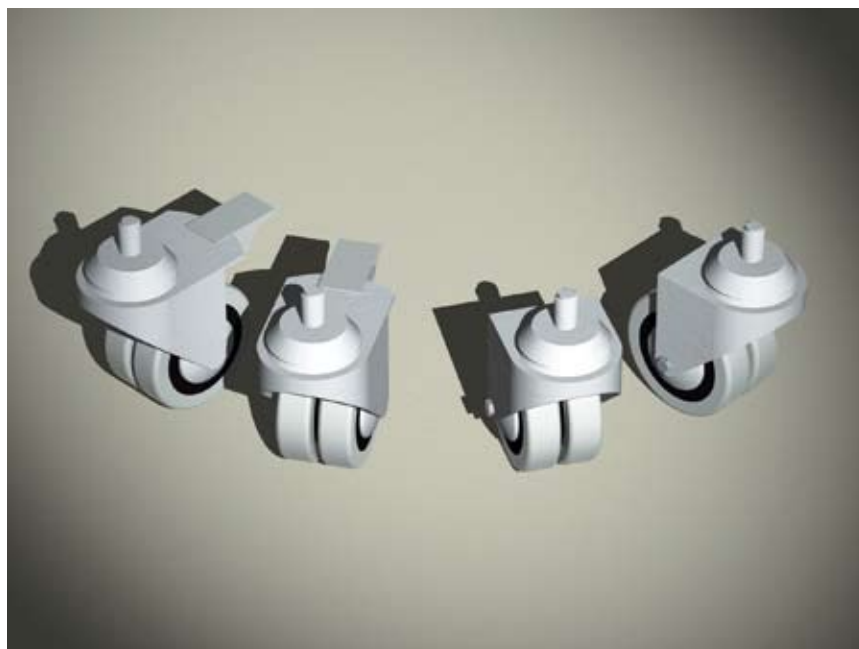
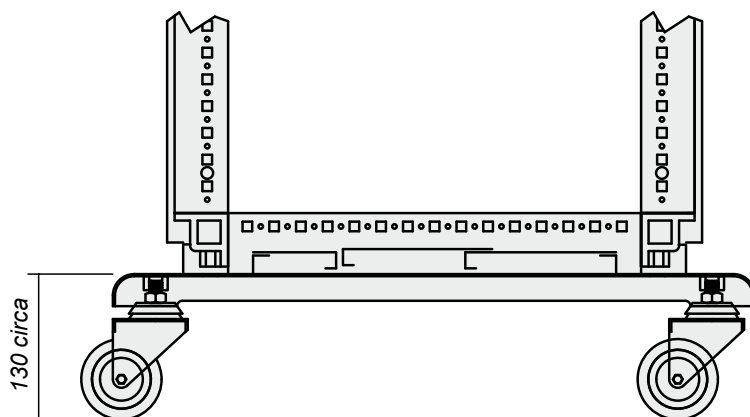
## Accessori DAE



### SUPPORTO RUOTE

- Realizzato in lamiera d'acciaio sp. 20/10 verniciato RAL 7011 bucciato.
- Confezione da 2 pezzi non comprensiva di ruote da ordinare a parte (cod. RZA41).

Codice	Profondità armadio
R1A57	300
R1A58	400
R1A59	500
R1A60	600



### RUOTE PIVOTANTI PER ARMADI

codice RZA41

- Portata: 80 kg per singola ruota.
- Confezione da 4 ruote (2 con freno e 2 senza freno).

## Accessori DAE



### GOLFARI DI SOLLEVAMENTO

codice RZA36

- Confezione da 2 pezzi.
- 2 dadi M12



### TASCHE PORTA SCHEMI

- Realizzate in due versioni, in plastica o in metallo. Colore RAL 7035.

Codice	L porta	Mater.
R5TE60	600	acciaio 15/10
R5TE80	800	acciaio 15/10
R5TE100	1000	acciaio 15/10
RPA32	qualsiasi	plastica



.....

.....

.....

.....

.....

.....

.....

.....

.....



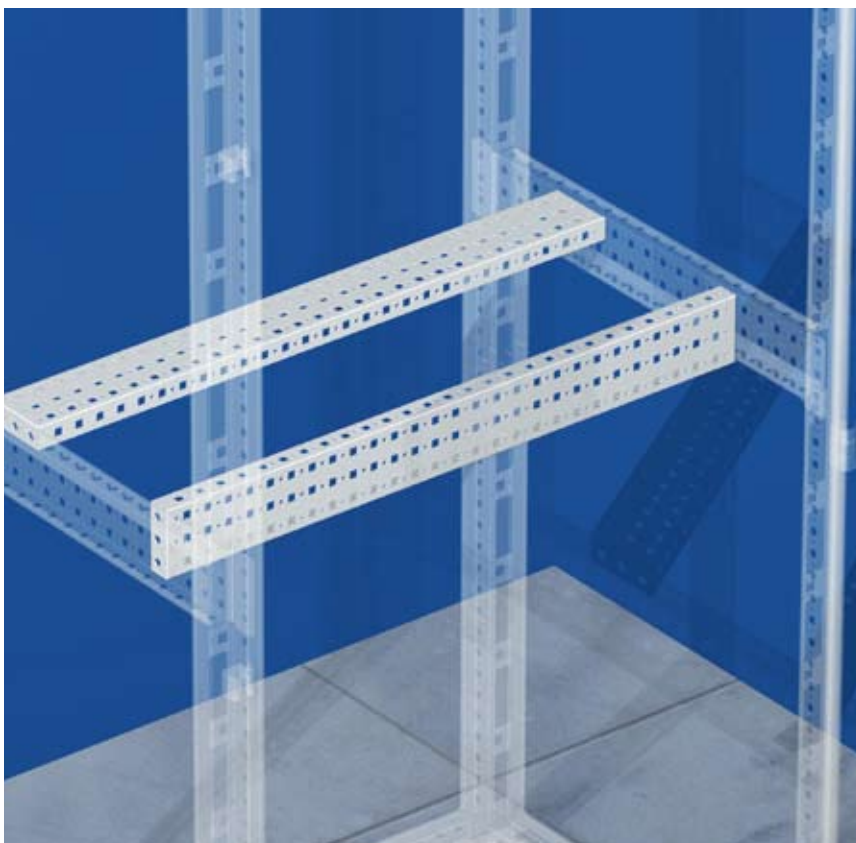
## Accessori DAE



### PROFILI LATERALI

- Realizzati in lamiera d'acciaio zincata sendzimir sp. 15/10.
- Dotati di 5 file di fori a passo 25 mm per un sistema di fissaggio completo o parziale degli accessori.
- Utilizzati sulla profondità totale degli armadi.
- Il bloccaggio avviene semplicemente agganciando il profilo alla struttura ed assicurandolo alla stessa tramite viti autofilettanti.
- Confezione da 4 pezzi completa di viteria per il montaggio.

Codice	Profondità armadio
RZPDL400	400
RZPDL500	500
RZPDL600	600

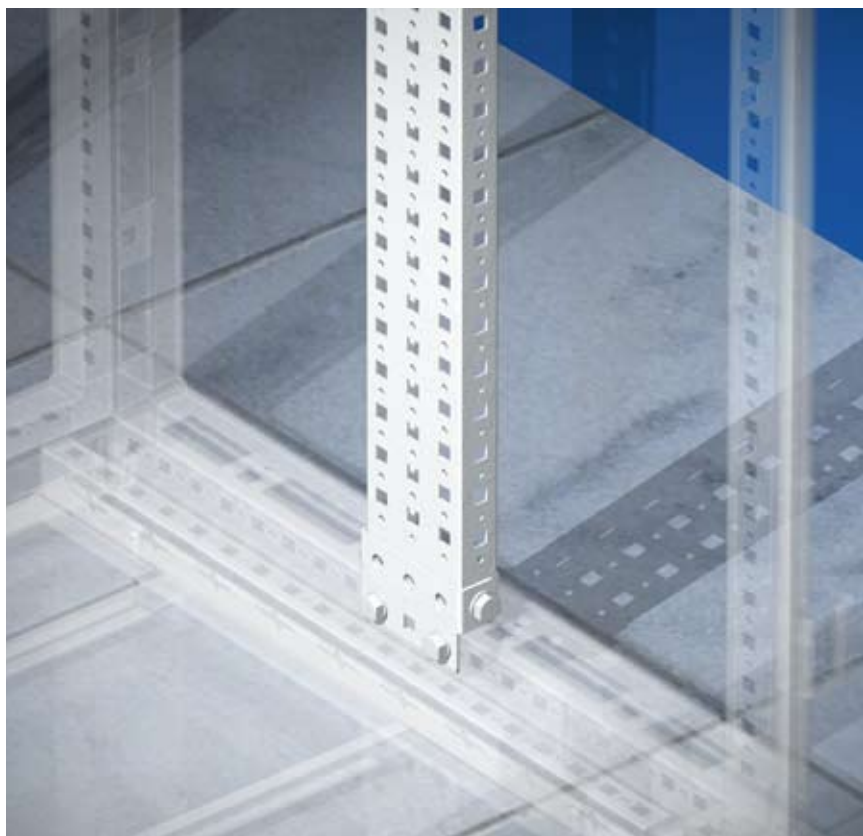


### PROFILI FRONTALI

- Realizzati in lamiera d'acciaio zincata sp. 15/10.
- Dotati di 5 file di fori a passo 25 mm per un sistema di fissaggio completo o parziale degli accessori.
- Il fissaggio può avvenire direttamente sulla parte frontale della struttura oppure in profondità a passo 25mm utilizzando come supporto laterale di fissaggio dei profili laterali (cod. RZPDL).
- Confezione da 4 pezzi completa di viteria per il montaggio.

Codice	Larghezza armadio
RZPDF600	600
RZPDF800	800
RZPDF1000	1000
RZPDF1200	1200

## Accessori DAE



### PROFILI VERTICALI

- Realizzati in lamiera d'acciaio zincata sp. 15/10.
- Dotati di 5 file di fori a passo 25 mm per un sistema di fissaggio completo o parziale degli accessori.
- Fissati verticalmente alla struttura e posizionati in profondità a passo 25 mm.
- Confezione da 2 pezzi completa di viteria per il montaggio.

Codice	Altezza armadio
RZPDV14	1400
RZPDV16	1600
RZPDV18	1800
RZPDV20	2000

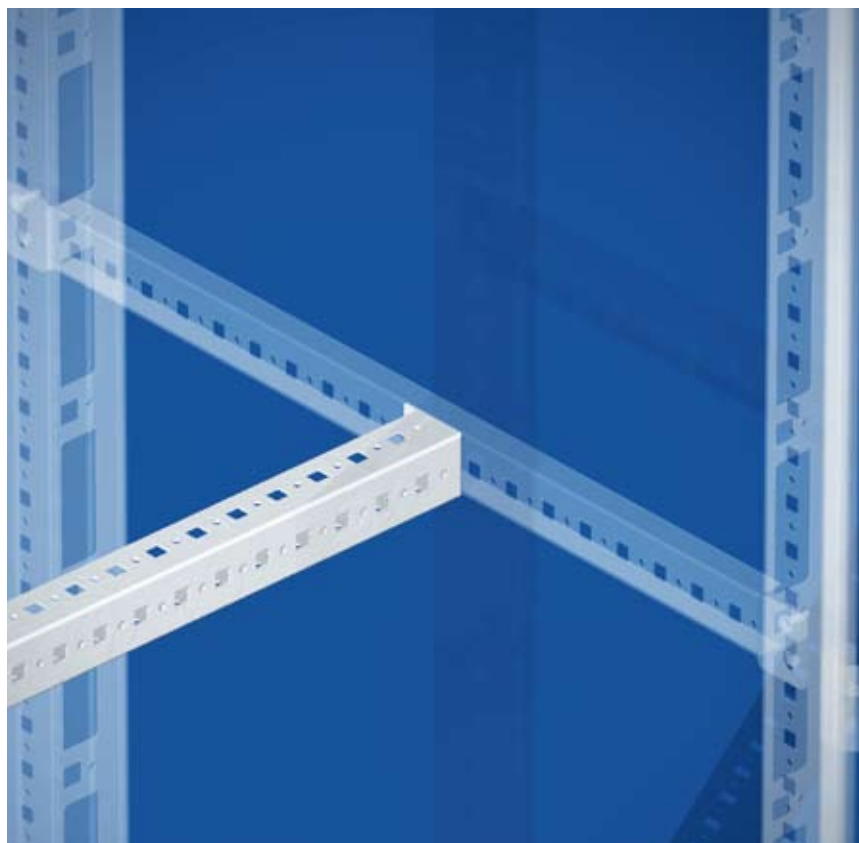


### TRAVERSA LATERALE FORATA - H 30mm

- Realizzata in lamiera d'acciaio zincata sp. 15/10.
- Il profilo è dotato di una fila di fori a passo 25 mm e viene utilizzato sulla profondità degli armadi.
- Viene fissata semplicemente agganciandola alla struttura e successivamente fissandola alla medesima tramite viti autofilettanti.
- Confezione da 4 pezzi completa di viteria per il montaggio.

Codice	Profondità armadio
RZTLE400	400
RZTLE500	500
RZTLE600	600

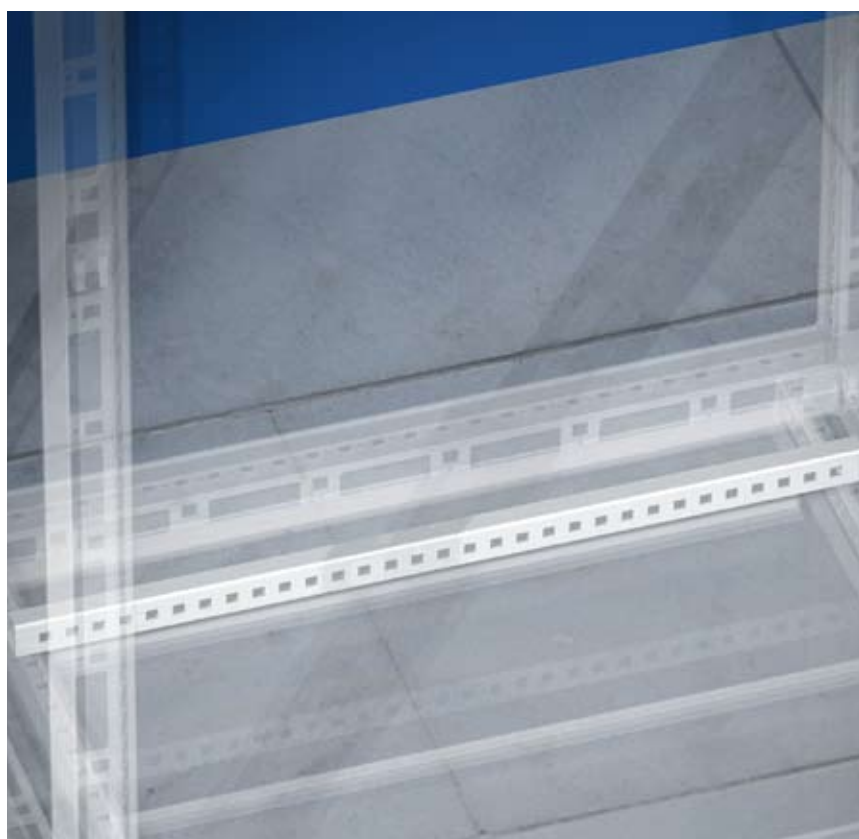
## Accessori DAE



### TRAVERSA FRONTALE H 30mm

- Realizzata in lamiera d'acciaio zincata sp. 15/10.
- Profilo dotato di 3 file di fori a passo 25 mm.
- Si possono utilizzare fissandole direttamente sulla parte frontale della struttura oppure in profondità a passo 25mm utilizzando come supporto le traverse laterali (cod. RZTLE).
- Confezione da 4 pezzi completa di viteria per il montaggio.

Codice	Larghezza armadio
RZTFE600	600
RZTFE800	800
RZTFE1000	1000
RZTFE1200	1200

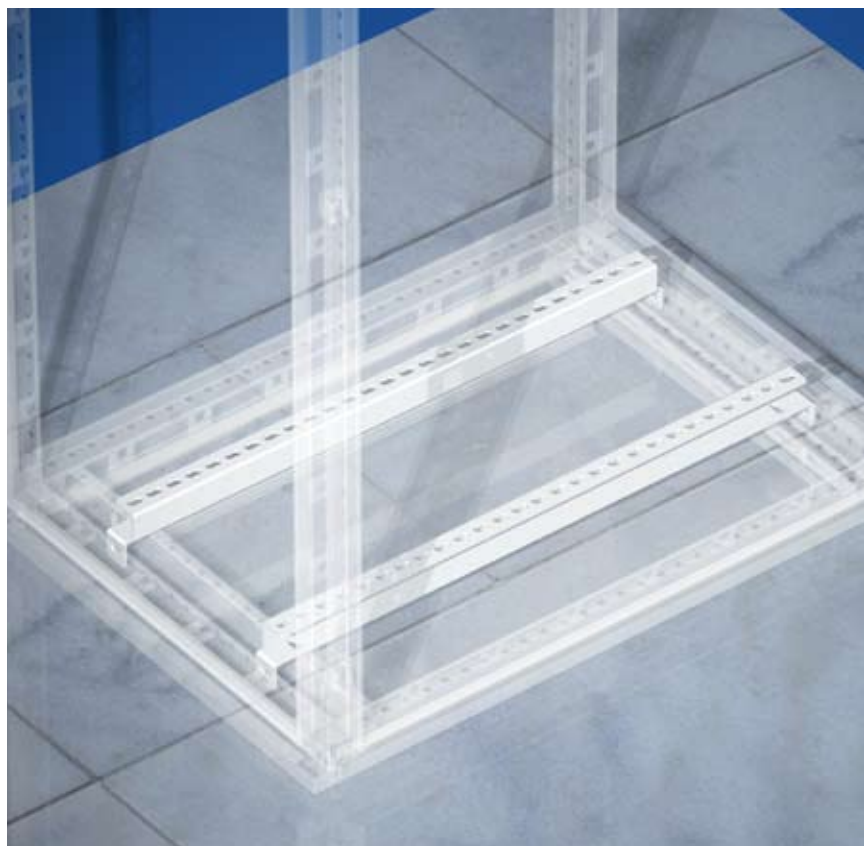


### PROFILO ANCORAGGIO CAVI

- Realizzato in lamiera d'acciaio zincata sp. 20/10.
- Permette l'ancoraggio dei cavi tramite fascette e/o altri sistemi di bloccaggio.
- Regolabile in profondità con passo 25 mm.
- Confezione da 2 pezzi completa di viteria per il montaggio.

Codice	Larghezza armadio
RZPAC60	600
RZPAC80	800
RZPAC100	1000
RZPAC120	1200

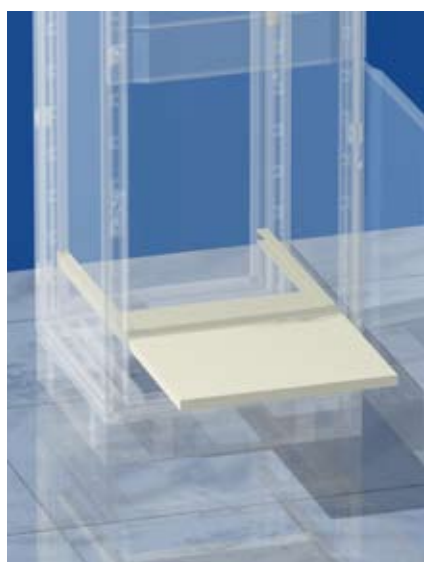
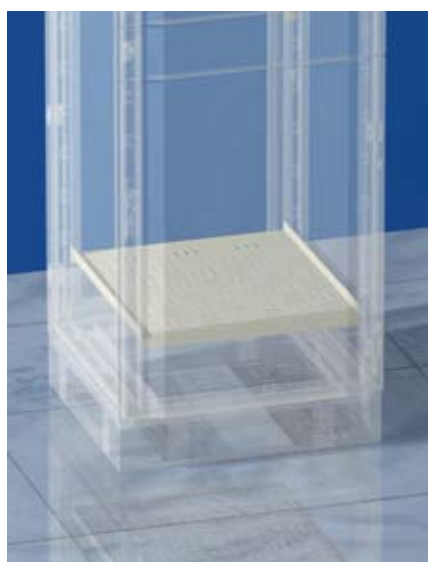
## Accessori DAE



### TRAVERSA PORTA TRASFORMATORE

- Realizzata in lamiera d'acciaio zincata sp. 30/10.
- Coppia di supporti in lamiera zincata pressopiegata con asole di fissaggio.
- Confezione da 2 pezzi completa di viteria per il montaggio.

Codice	Larghezza armadio
RZTTE600	600
RZTTE800	800
RZTTE1000	1000
RZTTE1200	1200



### RIPIANO FISSO ED ESTRAIBILE

- Realizzati in lamiera d'acciaio sp. 20/10 verniciati RAL 7035 bucciato.
- Consentono di appoggiare il case del computer, la stampante o qualsiasi altra periferica hardware.

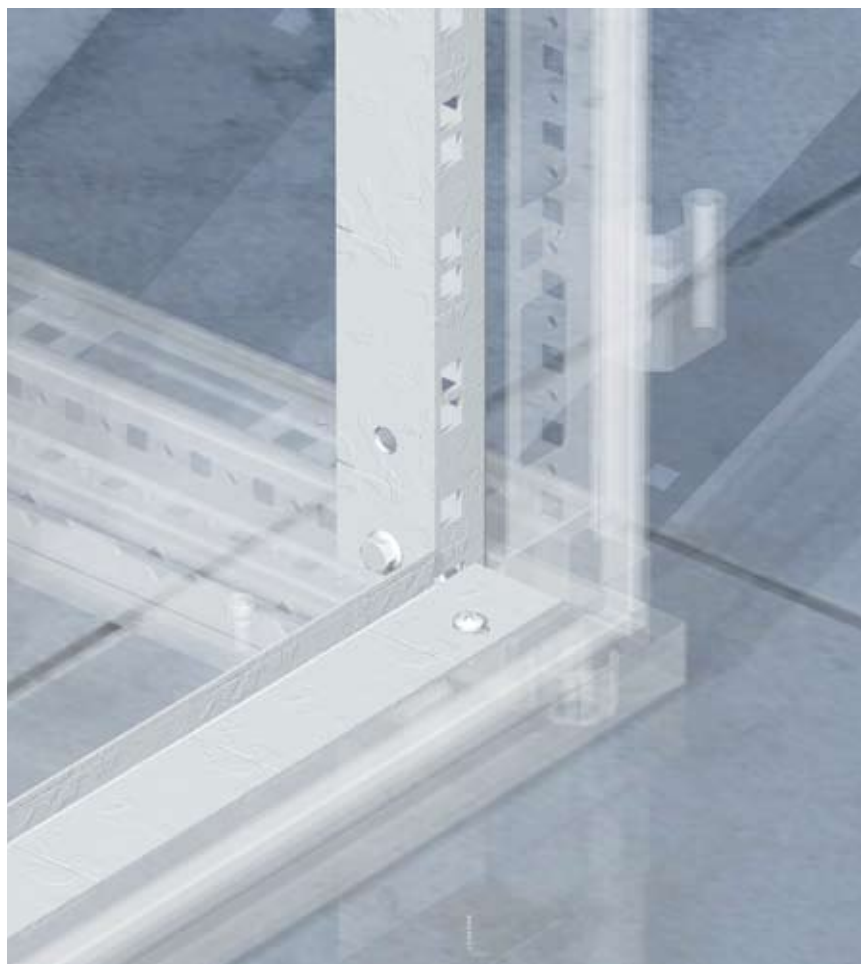
#### PORTATA MASSIMA

Ripiano fisso: Kg 60

Ripiano estraibile: Kg 30

Codice ripiano fisso	Dim. armadio		Codice ripiano estraibile	Dim. armadio	
	Largh.	Profond.		Largh.	Profond.
R5RF640	600	400	R5RE640	600	400
R5RF650	600	500	R5RE650	600	500
R5RF660	600	600	R5RE660	600	600
R5RF840	800	400	R5RE840	800	400
R5RF850	800	500	R5RE850	800	500
R5RF860	800	600	R5RE860	800	600
R5RF1040	1000	400			
R5RF1059	1000	500			
R5RF1060	1000	600			

## Accessori DAE



### MONTANTE RACK 19\" data-bbox="655 128 943 162"/>

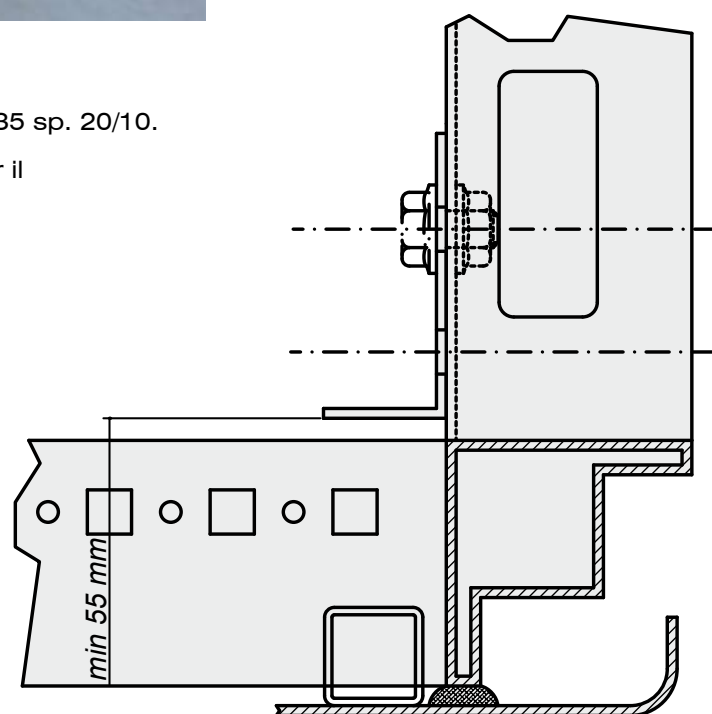
- Realizzato in lamiera d'acciaio verniciata RAL 7035 sp. 20/10.
- Confezione da 2 pezzi completa di accessori per il montaggio.

Codice	Altezza armadio	N° HE
R5MRE14	1400	29
R5MRE16	1600	33
R5MRE18	1800	38
R5MRE20	2000	42

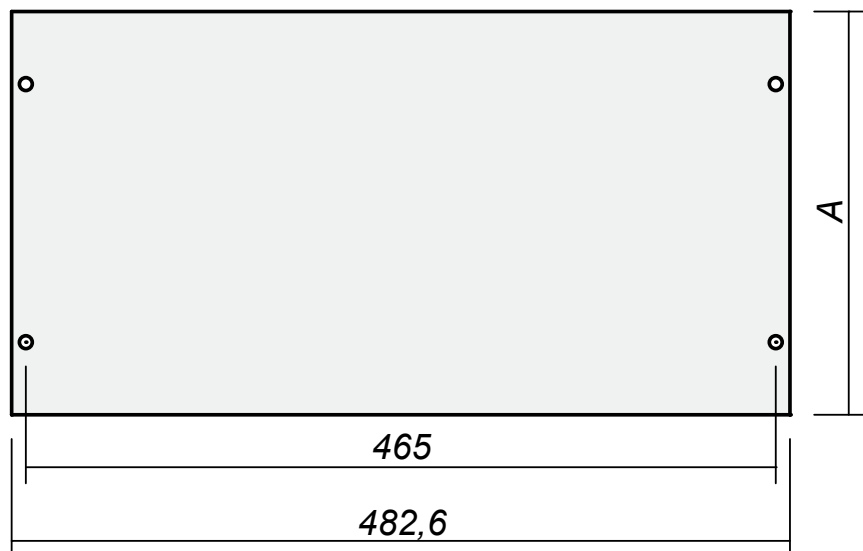
### MONTANTE RACK 19\" data-bbox="124 556 486 575"/>

- Realizzato in lamiera d'acciaio verniciata RAL 7035 sp. 20/10.
- Confezione da 2 pezzi completa di accessori per il montaggio.

Codice	Altezza armadio	N° HE
R5MRCE14	1400	29
R5MRCE16	1600	33
R5MRCE18	1800	38
R5MRCE20	2000	42
R5MRCE22	2200	47



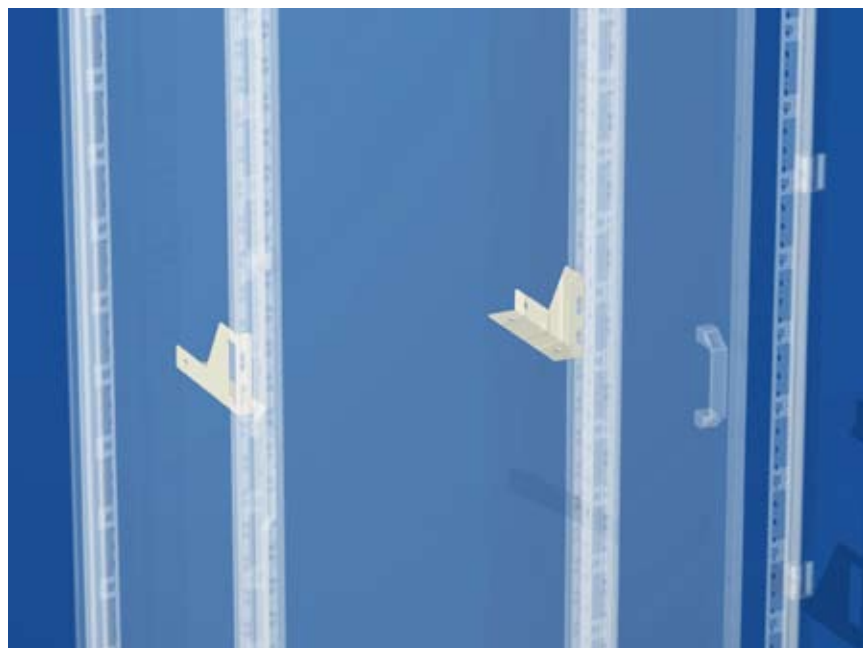
## Accessori DAE



### PANNELLO RACK 19"

- Realizzato in lamiera d'acciaio sp. 20/10 verniciata RAL 7035 bucciato.
- Confezione da 1 pezzo completa di accessori per il montaggio.

Codice	A	N° HE
R5PRK1	43,6	1
R5PRK2	88	2
R5PRK3	132,5	3
R5PRK4	177	4
R5PRK5	221,5	5
R5PRK6	266	6
R5PRK7	310,5	7
R5PRK8	355	8
R5PRK9	399	9
R5PRK10	443,5	10
R5PRK11	488	11
R5PRK12	532,5	12

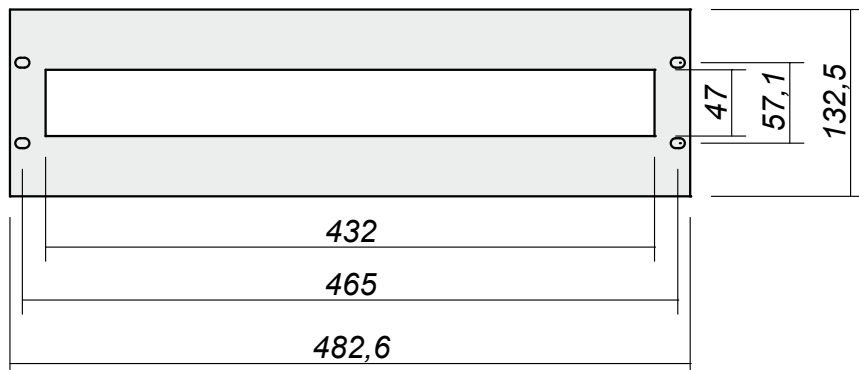


### SOSTEGNO CASSETTO RACK

cod. R5SCRK01

- Realizzato in lamiera d'acciaio sp. 15/10 verniciata RAL 7035 bucciato.
- Confezione da 1 coppia completa di accessori per il montaggio.

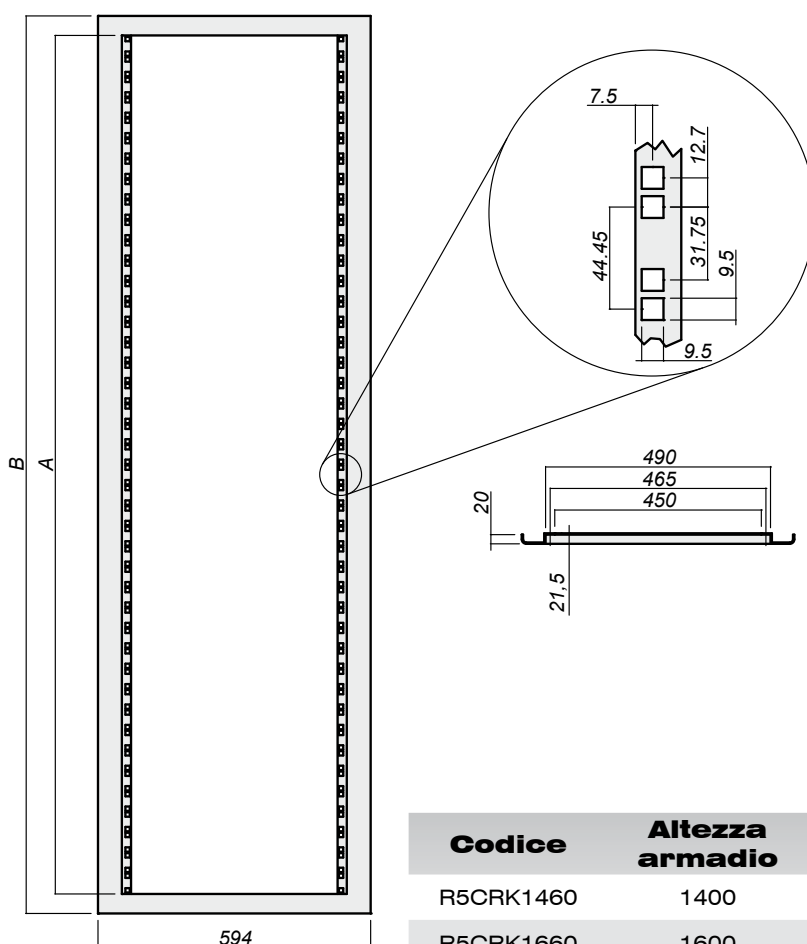
## Accessori DAE



### PANNELLO DI CHIUSURA FRONTALE DA 19" FORATO CON CAVA DIN

cod. R5PCDF01

- Realizzato in lamiera d'acciaio sp. 15/10 verniciato RAL 7035 bucciato.
- Nella cava possono essere montati fino a 24 moduli DIN di altezza pari a 3 unità.
- Confezione da 1 pezzo completa di viteria per il montaggio e guida DIN.



### CORNICE RACK 19"

- Realizzata in lamiera d'acciaio sp. 15/10 verniciata RAL 7035 bucciato.
- Adatta per armadi con larghezza pari a 600mm.
- Completa di viteria per il montaggio.
- Viene applicata in sostituzione di una porta CPE o di un retro CRE.

Codice	Altezza armadio	A	B	N° HE
R5CRK1460	1400	1247.5	1355	28
R5CRK1660	1600	1470	1555	33
R5CRK1860	1800	1647.5	1755	37
R5CRK2060	2000	1870	1955	42

## Accessori DAE



### **KIT SQUADRETTE DI SOSTEGNO PANNELLO DI CABLAGGIO**

**codice RZAE05**

- Realizzate in lamiera d'acciaio zincata sendzimir.
- Possibilità di montaggio sia alla sommità del pannello di cablaggio che nel centro tramite i fori già presenti sulla piastra.
- Nel caso di montaggio in zona centrale è necessario acquistare separatamente i traversini laterali (art. RZTLE).



### **KIT MONTAGGIO PANNELLO DI CABLAGGIO**

**codice RAAE07**

- Accessori per il montaggio dei pannelli di cablaggio (RZPCE)
- Accessorio già compreso nella fornitura del pannello di cablaggio
- E' possibile ordinarlo separatamente.



## Accessori DAE



### KIT ARRETRAMENTO PANNELLO DI CABLAGGIO

codice RZAE06

- Realizzato in lamiera d'acciaio zincata sendzimir.
- **Permette di arretrare il pannello di cablaggio portandolo a filo montanti.**
- Confezione 2 pezzi completa di viteria per il montaggio.
- Da posizionare nella parte inferiore dell'armadio in sostituzione dei supporti per il pannello di cablaggio standard già esistenti.
- Distanza massima tra la porta e il pannello di cablaggio pari a  $P - 57$ . Ad esempio: per un armadio profondo 600 mm la distanza massima tra porta e pannello di cablaggio è pari a  $600 - 57 = 543$  mm.



### SQUADRETTE DI FISSAGGIO ASOLA + ASOLA

codice RZA05

- Realizzate in lamiera d'acciaio sp. 40/10 zincata.
- Confezione da 10 pezzi.

### SQUADRETTE DI FISSAGGIO ASOLA + FILETTO M8

codice RZA06

- Realizzate in lamiera d'acciaio sp. 40/10 zincata.
- Confezione da 10 pezzi.

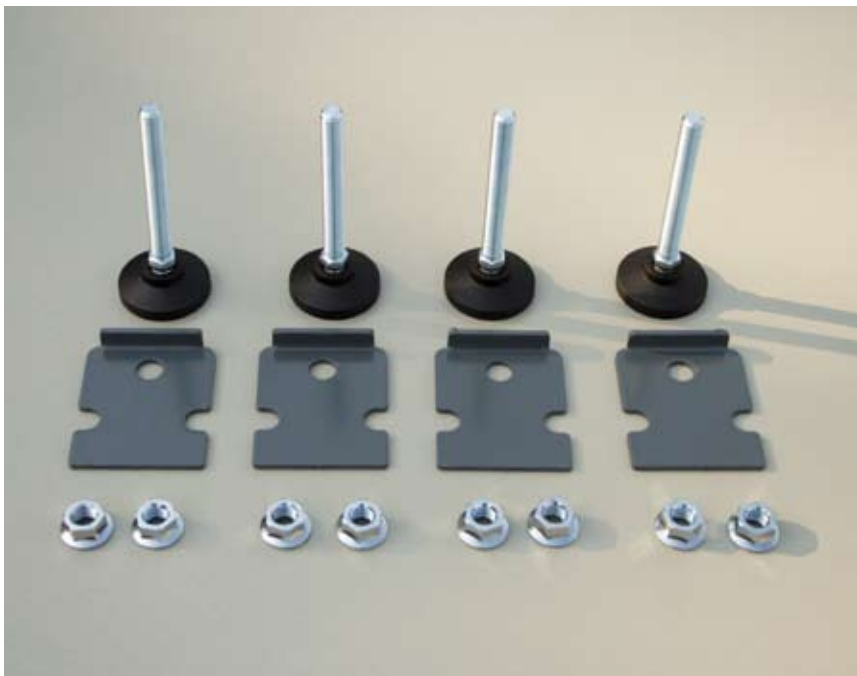
## Accessori DAE



### PIEDINI DI LIVELLAMENTO 0 ÷ 50 mm

codice RAA45

- Lunghezza filetto 50 mm.
- Filetto di fissaggio M12.
- Altezza totale piedino 70 mm.
- Consentono di compensare le irregolarità del pavimento.
- Confezione da 4 pezzi.
- Carico statico max ca 300 Kg per ogni piedino di livellamento.
- Da utilizzare sotto la base dell'armadio in assenza dello zoccolo.



### PIEDINI DI LIVELLAMENTO 50 ÷ 100 mm

codice RAA53

- Lunghezza filetto 100 mm.
- Filetto di fissaggio M12.
- Altezza totale piedino 125 mm.
- Consentono di compensare le irregolarità del pavimento.
- Confezione da 4 pezzi completa di piastre di appoggio e viteria per il montaggio.
- Carico statico max ca 300 Kg per ogni piedino di livellamento.
- Da utilizzare sotto la base dell'armadio in assenza dello zoccolo.

## Accessori DAE



### DADI SPECIALI RAM BLOCK M6 e M8

- Realizzati in lega di zinco pressofusa.
- Forniti di linguetta tranciabile.
- Consigliati nel posizionamento dei dadi e il serraggio delle viti in prossimità di fori difficilmente raggiungibili.
- Confezione da 50 pezzi.

Codice	Filettatura
RAA51	M6
RAA52	M8

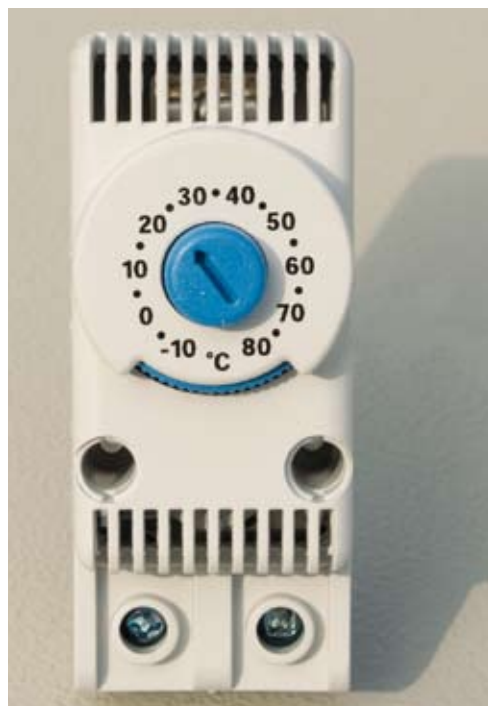


### VITI AUTOFILETTANTI M4.8 x 12

codice RAA07

- Realizzate in acciaio zincato bianco.
- Confezione da 50 pezzi.

## Accessori DAE



### TERMOSTATO

codice RATMS01

- Permette il controllo costante della temperatura ovunque sia necessario non superare i valori predeterminati.
- L'utilizzo è consigliato in tutte le applicazioni che prevedono l'impiego di impianti di raffreddamento e/o riscaldamento.
- E' possibile determinare a priori il range di temperatura di lavoro, al fine di impedire eventuali manomissioni da parte di personale inesperto.
- Struttura esterna in materiale plastico autoestinguente secondo norme UL94-VO.
- Grado di protezione: IP 30 secondo EN 60529.
- Il termostato può essere agevolmente ancorato tramite un accessorio fornito con la confezione.



### TRECCE DI MESSA A TERRA

- Realizzate in rame per una maggiore conduttività.
- Utilizzate nel collegamento tra struttura e porta.
- Confezione da 5 pezzi.

Codice	Lungh.	Sezione
RATR2010	200	10 mm <sup>2</sup>
RATR2510	250	10 mm <sup>2</sup>
RATR2016	200	16 mm <sup>2</sup>
RATR3016	300	16 mm <sup>2</sup>

## Accessori DAE



### LAMPADA FLUORESCENTE

- 220 ÷ 240 V - 50 ÷ 60 Hz.
- Completa di staffa di fissaggio.
- Confezione da 1 pezzo.

Codice	Lungh. mm	Potenza (W)
RALA08	342	8
RALA013	574	13



### DISPOSITIVO LAMPEGGIANTE TRIFASE

codice RAMC02

- Finecorsa tripolare cablato lampeggiante.
- Determina l'inserimento quando le porte dell'armadio sono aperte.

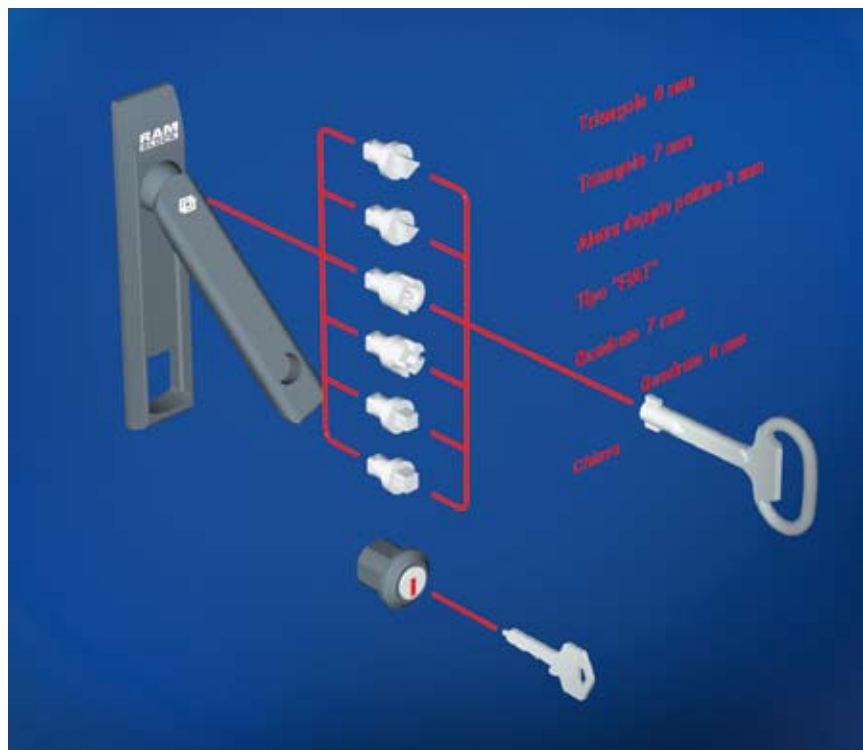


### MICRO-INTERRUTTORE

codice RAMC01

- Conforme alle normative IEC 377 - VDE 0660.
- Confezione completa di staffa in lamiera zincata sendzimir e viteria necessaria al montaggio.

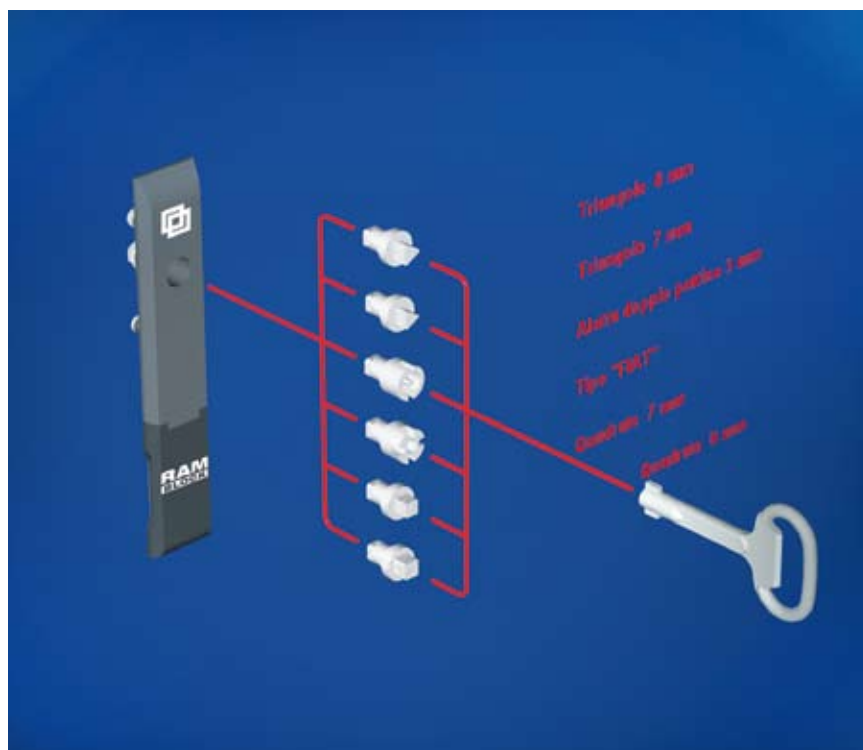
# Accessori DAE



## CHIUSURA CON MANIGLIA GIREVOLE

Codice	Descrizione
RPCE207	Chiusura completa di inserto tipo aletta doppio pettine Ø 3 mm
RPCE201	Chiusura completa di inserto a chiave

Codice chiave metallo	Codice inserto	Descrizione
RZCE230	RZCE219	Aletta doppio pettine Ø 3 mm
RZCE236	RZCE214	Triangolo 8 mm
RZCE235	RZCE213	Triangolo 7 mm
RZCE237	RZCE262	Tipo "FIAT"
RZCE233	RZCE211	Quadro 7 mm
RZCE234	RZCE212	Quadro 8 mm



## CHIUSURA CON MOSTRINA GRANDE

Codice	Descrizione
RPCE202	Chiusura completa di inserto tipo aletta doppio pettine Ø 3 mm
RPCE203	Chiusura completa di inserto tipo "FIAT"

Codice		Descrizione
chiave metallo	inserto	
<b>Codice chiave metallo</b>	<b>Codice inserto</b>	
RZCE230	RZCE219	Aletta doppio pettine Ø 3 mm
RZCE236	RZCE214	Triangolo 8 mm
RZCE235	RZCE213	Triangolo 7 mm
RZCE233	RZCE211	Quadro 7 mm
RZCE234	RZCE212	Quadro 8 mm

# Ventilazione

## DESCRIZIONE

La nuova serie di Ventilatori con Filtro offre importanti vantaggi:

- Perfetta integrazione con l'armadio. Non presentando parti sporgenti dal quadro, oltre ad evitare ingombri esterni indesiderati e talvolta pericolosi, risulta in armonia con le esigenze di compattezza del design moderno.
- Montaggio senza viti. Si adatta perfettamente a pannelli con spessore da 15/10 a 25/10 consentendo di ridurre notevolmente i tempi di montaggio. In un mercato sempre più competitivo, l'esigenza di ridurre i costi è ormai così sentita da spingere ogni azienda a studiare sino nei dettagli le possibilità per ottenere tale obiettivo.

## CARATTERISTICHE DEI COMPONENTI

- Parti plastiche in ABS autoestinguente secondo norme UL 94-V0.
- Panni filtro in materiale non-tessuto ad alto rendimento e struttura progressiva, in fibre sintetiche infrangibili, termoregolate. Resistenti fino a 100 °C e fino al 100% di umidità relativa, hanno un grado di immagazzinamento polvere di 650 g/m<sup>2</sup>. La perdita di carico iniziale è di 25 Pa. Si possono pulire mediante sciacquatura, trattamento a getto d'acqua o battitura. La qualità è a norme DIN 24185.
- Ventilatori costruiti secondo le normative comunitarie. Lo stato di approvazione (TÜV - VDE) di ciascun modello può essere comunicato a richiesta. I supporti di rotazione sono esclusivamente cuscinetti a sfera a lunga durata (min. 50000 ore a 25 °C e 65% di umidità relativa).
- Tutti i materiali componenti sono riciclabili.

## ULTERIORI CARATTERISTICHE

- Grado di protezione IP 54 secondo EN60529. Versione IP 55 disponibile a richiesta.
- Flusso d'aria standard dall'esterno verso l'interno (aspirante). Flusso opposto (premente) disponibile a richiesta.
- Altre tensioni di alimentazione sono disponibili a richiesta.
- Colore standard grigio RAL 7035.

Codice	Tensione V	Frequenza Hz	Assorbimento		Portata aria m <sup>3</sup> /h	Pressione Pa	Rumore dB (A)	Temper. °C
			mA	W				
RAV190APF12	230	50/60	125/110	20/19	57/61	66/73	43/48	-10 ~ +55
RAV190APF15	230	50/60	126/130	29/29	240/270	111/134	50/55	-10 ~ +55
RAV300APF15	230	50/60	125/110	20/19	115/125	51/59	43/48	-10 ~ +55
RAV820APF15	230	50/60	300/360	67/90	360/400	160/180	61/63	-10 ~ +50
RAV820APF20	230	50/60	300/360	67/90	520/580	160/186	60/62	-10 ~ +50
RAV190BPF12	115	50/60	210/180	20/18	57/61	66/73	43/48	-10 ~ +50
RAV190BPF15	115	50/60	250/260	30/30	240/270	111/134	50/55	-10 ~ +55
RAV300BPF15	115	50/60	210/180	20/18	115/125	51/59	43/48	-10 ~ +55
RAV820BPF15	115	50/60	540/650	50/64	360/400	160/180	61/63	-10 ~ +55
RAV820BPF20	115	50/60	540/650	50/64	520/580	160/186	60/62	-10 ~ +55

PF12

PF15

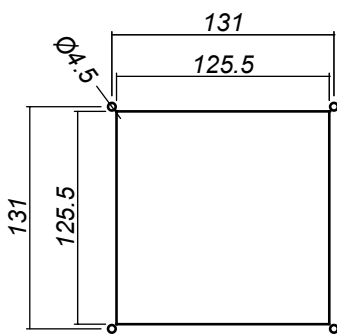
PF20



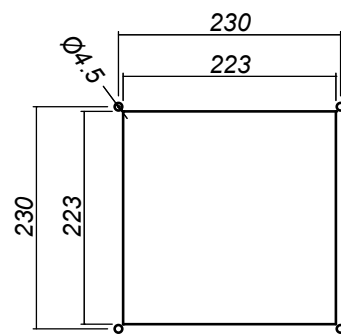
RAV190A/B

RAV300A/B

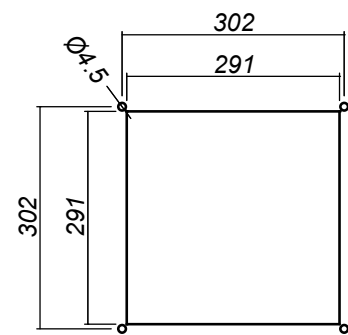
RAV820A/B



mod. PF12



mod. PF15



mod. PF20

*i quattro fori Ø4.5 mm sono da realizzare solo per eventuale fissaggio con viti*



# Ventilazione



## TORRINI DI ESTRAZIONE

### DESCRIZIONE

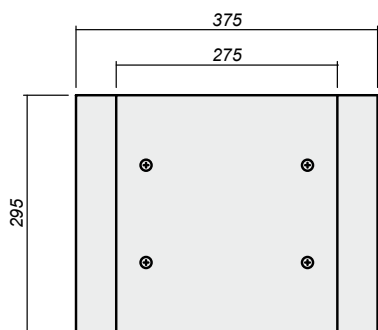
I torrini rappresentano una soluzione pronta ed efficace al problema della ventilazione dei quadri elettrici. L'aspirazione dell'aria dal tetto dell'armadio permette di agevolare il flusso dell'aria calda che per convenzione naturale tende a dirigersi verso l'alto.

### CARATTERISTICHE DEI COMPONENTI

- Parti metalliche in acciaio verniciato.
- Panni filtro in materiale non-tessuto ad alto rendimento e struttura progressiva, in fibre sintetiche infrangibili, termoregolate. Resistenti fino a 100 °C e fino al 100% di umidità relativa, hanno un grado di immagazzinamento polvere di 650 g/m<sup>2</sup>. La perdita di carico iniziale è di 25 Pa. Si possono pulire mediante sciacquatura, trattamento a getto d'acqua o battitura. La qualità è a norme DIN 24185.
- Ventilatori costruiti secondo le normative comunitarie. Lo stato di approvazione (UL - CSA - VDE) di ciascun modello può essere comunicato a richiesta.
- Tutti i materiali componenti sono riciclabili.

### ULTERIORI CARATTERISTICHE

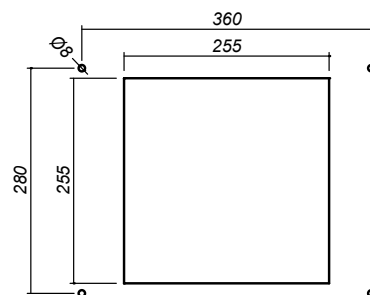
- Grado di protezione IP 33.
- Altre tensioni di alimentazione sono disponibili a richiesta.
- Colore standard grigio RAL 7011.



vista dall'alto



vista laterale



dima di foratura

Codice	Tensione V-CA	Freq. Hz	Assorbimento mA	Assorbimento W	Portata ventilat. m <sup>3</sup> /h	Portata aria m <sup>3</sup> /h	Rumore dB (A)	Temper. °C
RATEV230	230	50/60	290	65	600	480	61	-20 - +50
RATEV115	115	50/60	560	66	600	480	61	-20 - +50

## CAPPA DI AERAZIONE

**Codice RAVE08**

### DESCRIZIONE

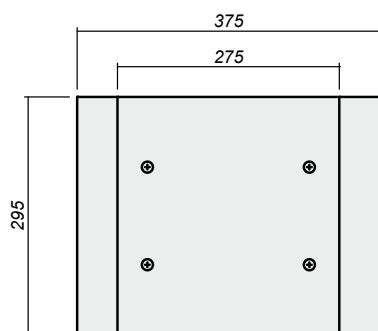
Questo articolo è del tutto simile al nostro torrino di estrazione mod. RATEV ma non è fornito di ventola. Se ne consiglia l'installazione nelle configurazioni per le quali non è prevista un flusso d'aria forzato.

### CARATTERISTICHE DEI COMPONENTI

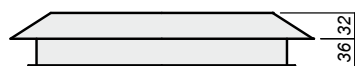
- Parti metalliche in acciaio verniciato.

### ULTERIORI CARATTERISTICHE

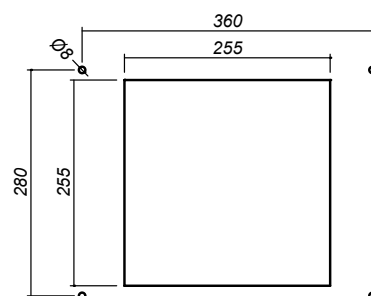
- Grado di protezione IP 33.
- Colore standard grigio RAL 7035.



*vista dall'alto*



*vista laterale*



*dima di foratura*




---



---



---



---



---

## Indice dei codici

R1DTB63	<b>23</b>	R1ZE1262	<b>25</b>	R5CPTE10100	<b>17</b>	R5DAE1063S	<b>10</b>
R1DTB64	<b>23</b>	R5CPE1060	<b>15</b>	R5CPTE12100	<b>17</b>	R5DAE1063X	<b>13</b>
R1DTB83	<b>23</b>	R5CPE1080	<b>15</b>	R5CPTE14100	<b>17</b>	R5DAE1064	<b>12</b>
R1DTB84	<b>23</b>	R5CPE1260	<b>15</b>	R5CPTE16100	<b>17</b>	R5DAE1064R	<b>11</b>
R1DTB103	<b>23</b>	R5CPE1280	<b>15</b>	R5CPTE18100	<b>17</b>	R5DAE1064S	<b>10</b>
R1DTB104	<b>23</b>	R5CPE1460	<b>15</b>	R5CPTE18120	<b>17</b>	R5DAE1064X	<b>13</b>
R1DTB105	<b>23</b>	R5CPE1480	<b>15</b>	R5CPTE20100	<b>17</b>	R5DAE1083	<b>12</b>
R1DTB106	<b>23</b>	R5CPE1481	<b>16</b>	R5CPTE20120	<b>17</b>	R5DAE1083R	<b>11</b>
R1DTB124	<b>23</b>	R5CPE1660	<b>15</b>	R5CPTE1660	<b>18</b>	R5DAE1083S	<b>10</b>
R1DTB125	<b>23</b>	R5CPE1680	<b>15</b>	R5CPTE1680	<b>18</b>	R5DAE1083X	<b>13</b>
R1DTB126	<b>23</b>	R5CPE1681	<b>16</b>	R5CPTE1860	<b>18</b>	R5DAE1084	<b>12</b>
R1SFP30	<b>30</b>	R5CPE1860	<b>15</b>	R5CPTE1880	<b>18</b>	R5DAE1084R	<b>11</b>
R1SFP40	<b>30</b>	R5CPE1880	<b>15</b>	R5CPTE2060	<b>18</b>	R5DAE1084S	<b>10</b>
R1ZE631	<b>25</b>	R5CPE1881	<b>16</b>	R5CPTE2080	<b>18</b>	R5DAE1084X	<b>13</b>
R1ZE632	<b>25</b>	R5CPE2060	<b>15</b>	R5CRE1060	<b>19</b>	R5DAE1263	<b>12</b>
R1ZE641	<b>25</b>	R5CPE2080	<b>15</b>	R5CRE1080	<b>19</b>	R5DAE1263R	<b>11</b>
R1ZE642	<b>25</b>	R5CPE2081	<b>16</b>	R5CRE1260	<b>19</b>	R5DAE1263S	<b>10</b>
R1ZE651	<b>25</b>	R5CPE10100	<b>15</b>	R5CRE1280	<b>19</b>	R5DAE1263X	<b>13</b>
R1ZE652	<b>25</b>	R5CPE12100	<b>15</b>	R5CRE1460	<b>19</b>	R5DAE1264	<b>12</b>
R1ZE661	<b>25</b>	R5CPE14100	<b>15</b>	R5CRE1480	<b>19</b>	R5DAE1264R	<b>11</b>
R1ZE662	<b>25</b>	R5CPE16100	<b>15</b>	R5CRE1660	<b>19</b>	R5DAE1264S	<b>10</b>
R1ZE831	<b>25</b>	R5CPE16101	<b>16</b>	R5CRE1680	<b>19</b>	R5DAE1264X	<b>13</b>
R1ZE832	<b>25</b>	R5CPE18100	<b>15</b>	R5CRE1860	<b>19</b>	R5DAE1283	<b>12</b>
R1ZE841	<b>25</b>	R5CPE18101	<b>16</b>	R5CRE1880	<b>19</b>	R5DAE1283R	<b>11</b>
R1ZE842	<b>25</b>	R5CPE18120	<b>15</b>	R5CRE2060	<b>19</b>	R5DAE1283S	<b>10</b>
R1ZE851	<b>25</b>	R5CPE20100	<b>15</b>	R5CRE2080	<b>19</b>	R5DAE1283X	<b>13</b>
R1ZE852	<b>25</b>	R5CPE20101	<b>16</b>	R5CRE10100	<b>19</b>	R5DAE1284	<b>12</b>
R1ZE861	<b>25</b>	R5CPE20120	<b>15</b>	R5CRE12100	<b>19</b>	R5DAE1284R	<b>11</b>
R1ZE862	<b>25</b>	R5CPTE1060	<b>17</b>	R5CRE14100	<b>19</b>	R5DAE1284S	<b>10</b>
R1ZE1041	<b>25</b>	R5CPTE1080	<b>17</b>	R5CRE16100	<b>19</b>	R5DAE1284X	<b>13</b>
R1ZE1042	<b>25</b>	R5CPTE1260	<b>17</b>	R5CRE18100	<b>19</b>	R5DAE1463	<b>12</b>
R1ZE1051	<b>25</b>	R5CPTE1280	<b>17</b>	R5CRE18120	<b>19</b>	R5DAE1463R	<b>11</b>
R1ZE1052	<b>25</b>	R5CPTE1460	<b>17</b>	R5CRE20100	<b>19</b>	R5DAE1463S	<b>10</b>
R1ZE1061	<b>25</b>	R5CPTE1480	<b>17</b>	R5CRE20120	<b>19</b>	R5DAE1463X	<b>13</b>
R1ZE1062	<b>25</b>	R5CPTE1660	<b>17</b>	R5CRK1460	<b>46</b>	R5DAE1464	<b>12</b>
R1ZE1241	<b>25</b>	R5CPTE1680	<b>17</b>	R5CRK1660	<b>46</b>	R5DAE1464R	<b>11</b>
R1ZE1242	<b>25</b>	R5CPTE1860	<b>17</b>	R5CRK1860	<b>46</b>	R5DAE1464S	<b>10</b>
R1ZE1251	<b>25</b>	R5CPTE1880	<b>17</b>	R5CRK2060	<b>46</b>	R5DAE1464X	<b>13</b>
R1ZE1252	<b>25</b>	R5CPTE2060	<b>17</b>	R5DAE1063	<b>12</b>	R5DAE1483	<b>12</b>
R1ZE1261	<b>25</b>	R5CPTE2080	<b>17</b>	R5DAE1063R	<b>11</b>	R5DAE1483R	<b>11</b>

R5DAE1483S	10	R5DAE1865X	13	R5DAE2065X	13	R5DAE12104S	10
R5DAE1483X	13	R5DAE1866	12	R5DAE2066	12	R5DAE12104X	13
R5DAE1484	12	R5DAE1866R	11	R5DAE2066R	11	R5DAE14103	12
R5DAE1484R	11	R5DAE1866S	10	R5DAE2066S	10	R5DAE14103R	11
R5DAE1484S	10	R5DAE1866V	14	R5DAE2066V	14	R5DAE14103S	10
R5DAE1484X	13	R5DAE1866X	13	R5DAE2066X	13	R5DAE14103X	13
R5DAE1663	12	R5DAE1883	12	R5DAE2083	12	R5DAE14104	12
R5DAE1663R	11	R5DAE1883R	11	R5DAE2083R	11	R5DAE14104R	11
R5DAE1663S	10	R5DAE1883S	10	R5DAE2083S	10	R5DAE14104S	10
R5DAE1663V	14	R5DAE1883V	14	R5DAE2083V	14	R5DAE14104X	13
R5DAE1663X	13	R5DAE1883X	13	R5DAE2083X	13	R5DAE16103	12
R5DAE1664	12	R5DAE1884	12	R5DAE2084	12	R5DAE16103R	11
R5DAE1664R	11	R5DAE1884R	11	R5DAE2084R	11	R5DAE16103S	10
R5DAE1664S	10	R5DAE1884S	10	R5DAE2084S	10	R5DAE16103X	13
R5DAE1664V	14	R5DAE1884V	14	R5DAE2084V	14	R5DAE16104	12
R5DAE1664X	13	R5DAE1884X	13	R5DAE2084X	13	R5DAE16104R	11
R5DAE1683	12	R5DAE1885	12	R5DAE2085	12	R5DAE16104S	10
R5DAE1683R	11	R5DAE1885R	11	R5DAE2085R	11	R5DAE16104X	13
R5DAE1683S	10	R5DAE1885S	10	R5DAE2085S	10	R5DAE18104	12
R5DAE1683V	14	R5DAE1885V	14	R5DAE2085V	14	R5DAE18104R	11
R5DAE1683X	13	R5DAE1885X	13	R5DAE2085X	13	R5DAE18104S	10
R5DAE1684	12	R5DAE1886	12	R5DAE2086	12	R5DAE18104X	13
R5DAE1684R	11	R5DAE1886R	11	R5DAE2086R	11	R5DAE18105	12
R5DAE1684S	10	R5DAE1886S	10	R5DAE2086S	10	R5DAE18105R	11
R5DAE1684V	14	R5DAE1886V	14	R5DAE2086V	14	R5DAE18105S	10
R5DAE1684X	13	R5DAE1886X	13	R5DAE2086X	13	R5DAE18105X	13
R5DAE1863	12	R5DAE2063	12	R5DAE10103	12	R5DAE18106	12
R5DAE1863R	11	R5DAE2063R	11	R5DAE10103R	11	R5DAE18106R	11
R5DAE1863S	10	R5DAE2063S	10	R5DAE10103S	10	R5DAE18106S	10
R5DAE1863V	14	R5DAE2063V	14	R5DAE10103X	13	R5DAE18106X	13
R5DAE1863X	13	R5DAE2063X	13	R5DAE10104	12	R5DAE18124	12
R5DAE1864	12	R5DAE2064	12	R5DAE10104R	11	R5DAE18124R	11
R5DAE1864R	11	R5DAE2064R	11	R5DAE10104S	10	R5DAE18124S	10
R5DAE1864S	10	R5DAE2064S	10	R5DAE10104X	13	R5DAE18124X	13
R5DAE1864V	14	R5DAE2064V	14	R5DAE12103	12	R5DAE18125	12
R5DAE1864X	13	R5DAE2064X	13	R5DAE12103R	11	R5DAE18125R	11
R5DAE1865	12	R5DAE2065	12	R5DAE12103S	10	R5DAE18125S	10
R5DAE1865R	11	R5DAE2065R	11	R5DAE12103X	13	R5DAE18125X	13
R5DAE1865S	10	R5DAE2065S	10	R5DAE12104	12	R5DAE18126	12
R5DAE1865V	14	R5DAE2065V	14	R5DAE12104R	11	R5DAE18126R	11

## Indice dei codici

R5DAE18126S	<b>10</b>	R5DL2050	<b>24</b>	R5PFI2060	<b>27</b>	R5PRK1	<b>45</b>
R5DAE18126X	<b>13</b>	R5DL2060	<b>24</b>	R5PI520	<b>26</b>	R5PRK2	<b>45</b>
R5DAE20104	<b>12</b>	R5DP0580	<b>31</b>	R5PI521	<b>26</b>	R5PRK3	<b>45</b>
R5DAE20104R	<b>11</b>	R5MRCE14	<b>44</b>	R5PI522	<b>26</b>	R5PRK4	<b>45</b>
R5DAE20104S	<b>10</b>	R5MRCE16	<b>44</b>	R5PI524	<b>26</b>	R5PRK5	<b>45</b>
R5DAE20104X	<b>13</b>	R5MRCE18	<b>44</b>	R5PI530	<b>26</b>	R5PRK6	<b>45</b>
R5DAE20105	<b>12</b>	R5MRCE20	<b>44</b>	R5PI540	<b>26</b>	R5PRK7	<b>45</b>
R5DAE20105R	<b>11</b>	R5MRCE22	<b>44</b>	R5PI541	<b>26</b>	R5PRK8	<b>45</b>
R5DAE20105S	<b>10</b>	R5MRE14	<b>44</b>	R5PI560	<b>26</b>	R5PRK9	<b>45</b>
R5DAE20105X	<b>13</b>	R5MRE16	<b>44</b>	R5PI561	<b>26</b>	R5PRK10	<b>45</b>
R5DAE20106	<b>12</b>	R5MRE18	<b>44</b>	R5PI580	<b>26</b>	R5PRK11	<b>45</b>
R5DAE20106R	<b>11</b>	R5MRE20	<b>44</b>	R5PI720	<b>26</b>	R5PRK12	<b>45</b>
R5DAE20106S	<b>10</b>	R5PA6040	<b>26</b>	R5PI721	<b>26</b>	R5RE640	<b>43</b>
R5DAE20106X	<b>13</b>	R5PA6060	<b>26</b>	R5PI722	<b>26</b>	R5RE650	<b>43</b>
R5DAE20124	<b>12</b>	R5PA8040	<b>26</b>	R5PI724	<b>26</b>	R5RE660	<b>43</b>
R5DAE20124R	<b>11</b>	R5PA8060	<b>26</b>	R5PI730	<b>26</b>	R5RE840	<b>43</b>
R5DAE20124S	<b>10</b>	R5PCD60	<b>26</b>	R5PI740	<b>26</b>	R5RE850	<b>43</b>
R5DAE20124X	<b>13</b>	R5PCD80	<b>26</b>	R5PI741	<b>26</b>	R5RE860	<b>43</b>
R5DAE20125	<b>12</b>	R5PCDF01	<b>46</b>	R5PI760	<b>26</b>	R5RF640	<b>43</b>
R5DAE20125R	<b>11</b>	R5PD0160	<b>31</b>	R5PI761	<b>26</b>	R5RF650	<b>43</b>
R5DAE20125S	<b>10</b>	R5PD0180	<b>31</b>	R5PI780	<b>26</b>	R5RF660	<b>43</b>
R5DAE20125X	<b>13</b>	R5PD0260	<b>31</b>	R5PI5100	<b>26</b>	R5RF840	<b>43</b>
R5DAE20126	<b>12</b>	R5PD0280	<b>31</b>	R5PIE1060	<b>21</b>	R5RF850	<b>43</b>
R5DAE20126R	<b>11</b>	R5PD0360	<b>31</b>	R5PIE1080	<b>21</b>	R5RF860	<b>43</b>
R5DAE20126S	<b>10</b>	R5PD0380	<b>31</b>	R5PIE1260	<b>21</b>	R5RF1040	<b>43</b>
R5DAE20126X	<b>13</b>	R5PD0460	<b>31</b>	R5PIE1280	<b>21</b>	R5RF1059	<b>43</b>
R5DL1030	<b>24</b>	R5PD0480	<b>31</b>	R5PIE1460	<b>21</b>	R5RF1060	<b>43</b>
R5DL1040	<b>24</b>	R5PD0560	<b>31</b>	R5PIE1480	<b>21</b>	R5SCRK01	<b>45</b>
R5DL1230	<b>24</b>	R5PD0660	<b>31</b>	R5PIE1660	<b>21</b>	R5TE14	<b>32</b>
R5DL1240	<b>24</b>	R5PD0680	<b>31</b>	R5PIE1680	<b>21</b>	R5TE16	<b>32</b>
R5DL1430	<b>24</b>	R5PD0760	<b>31</b>	R5PIE1860	<b>21</b>	R5TE18	<b>32</b>
R5DL1440	<b>24</b>	R5PD0780	<b>31</b>	R5PIE1880	<b>21</b>	R5TE20	<b>32</b>
R5DL1630	<b>24</b>	R5PD0860	<b>31</b>	R5PIE2060	<b>21</b>	R5TE60	<b>39</b>
R5DL1640	<b>24</b>	R5PD0880	<b>31</b>	R5PIE2080	<b>21</b>	R5TE80	<b>39</b>
R5DL1830	<b>24</b>	R5PFI1640	<b>27</b>	R5PIE10100	<b>21</b>	R5TE100	<b>39</b>
R5DL1840	<b>24</b>	R5PFI1840	<b>27</b>	R5PIE12100	<b>21</b>	RAA07	<b>50</b>
R5DL1850	<b>24</b>	R5PFI1850	<b>27</b>	R5PIE14100	<b>21</b>	RAA45	<b>49</b>
R5DL1860	<b>24</b>	R5PFI1860	<b>27</b>	R5PIE16100	<b>21</b>	RAA51	<b>50</b>
R5DL2030	<b>24</b>	R5PFI2040	<b>27</b>	R5PIE18100	<b>21</b>	RAA52	<b>50</b>
R5DL2040	<b>24</b>	R5PFI2050	<b>27</b>	R5PIE20100	<b>21</b>	RAA53	<b>49</b>

RAAE07	47	RZOE230	53	RZPCE1680	22
RALA08	52	RZOE233	53	RZPCE1860	22
RALA013	52	RZOE234	53	RZPCE1880	22
RAMC01	52	RZOE235	53	RZPCE2060	22
RAMC02	52	RZOE236	53	RZPCE2080	22
RATEV115	56	RZOE237	53	RZPCE10100	22
RATEV230	56	RZOE262	53	RZPCE12100	22
RATMS01	51	RZDGD60	30	RZPCE14100	22
RATR2010	51	RZDGD80	30	RZPCE16100	22
RATR2016	51	RZDGR60	28	RZPCE18100	22
RATR2510	51	RZDGR80	28	RZPCE18120	22
RATR3016	51	RZDPC	27	RZPCE20100	22
RAV190APF12	54	RZDPC22	27	RZPCE20120	22
RAV190APF15	54	RZDPC30	27	RZPDF600	40
RAV190BPF12	54	RZDPC72	27	RZPDF800	40
RAV190BPF15	54	RZDSF01	28	RZPDF1000	40
RAV300APF15	54	RZDSF02	28	RZPDF1200	40
RAV300BPF15	54	RZDSL20	30	RZPDL400	40
RAV820APF15	54	RZDSL30	30	RZPDL500	40
RAV820APF20	54	RZDSL40	30	RZPDL600	40
RAV820BPF15	54	RZDT150	29	RZPDV14	41
RAV820BPF20	54	RZDTF60	29	RZPDV16	41
RAVE08	57	RZDTF80	29	RZPDV18	41
RPA32	39	RZDTF120	29	RZPDV20	41
RPCE201	53	RZFPC600	37	RZTDF100	29
RPCE202	53	RZFPC800	37	RZTFE600	42
RPCE203	53	RZFPC1000	37	RZTFE800	42
RPCE207	53	RZFPC1200	37	RZTFE1000	42
RZA05	48	RZFUC	37	RZTFE1200	42
RZA06	48	RZPAC60	42	RZTLE400	41
RZA36	39	RZPAC80	42	RZTLE500	41
RZA41	38	RZPAC100	42	RZTLE600	41
RZAE02	36	RZPAC120	42	RZTPE60	36
RZAE05	47	RZPCE1060	22	RZTPE80	36
RZAE06	48	RZPCE1080	22	RZTPE100	36
RZOE211	53	RZPCE1260	22	RZTTE600	43
RZOE212	53	RZPCE1280	22	RZTTE800	43
RZOE213	53	RZPCE1460	22	RZTTE1000	43
RZOE214	53	RZPCE1480	22	RZTTE1200	43
RZOE219	53	RZPCE1660	22		



## Catalogo DAE

DKC Europe s.r.l.

Sede Commerciale Via Primo Maggio 19 - 20010 Vanzago (Mi)

Tel +39 02 9343400 Fax +39 02 93544366

Sede Amministrativa Via Pontasso 26 - 16015 Casella (Ge)  
Tel +39 010 976803

e-mail [info@dkceurope.eu](mailto:info@dkceurope.eu)  
[www.dkceurope.eu](http://www.dkceurope.eu)