

## TABLE OF CONTENTS

## FLOW TRANSMITTER 8035

<b>1</b>	<b>INTRODUCTION</b> .....	<b>E-2</b>
1.1	Unpacking and Control .....	E-2
1.2	About this Manual .....	E-2
1.3	User's Responsibility for Safety .....	E-2
1.4	Electromagnetic Compatibility .....	E-2
<b>2</b>	<b>SPECIFICATION</b> .....	<b>E-3</b>
2.1	Type Specification .....	E-3
2.2	Design and Measuring Principle .....	E-6
2.3	Dimensions of electronic housing SE35 .....	E-5
2.4	Technical Data .....	E-6
<b>3</b>	<b>INSTALLATION</b> .....	<b>E-7</b>
3.1	Installation Guidelines .....	E-7
3.2	Process Mounting .....	E-8
3.3	General Electrical Connection .....	E-9
3.4	Electrical Wiring .....	E-10
	3.4.1 SE35 without relay .....	E-10
	3.4.2 SE35 with relays .....	E-11
	3.4.3 Connection of the pulse output to a PLC .....	E-12
	3.4.4 Electrical Wiring with Power Supply 230/115 VAC .....	E-13
	3.4.5 SE35 with relay REED .....	E-14
	3.4.6 SE35 with relay REED / 230/115 VAC .....	E-15
<b>4</b>	<b>OPERATION</b> .....	<b>E-15</b>
4.1	Transmitter Operating and Control Elements .....	E-15
4.2	Operation Mode Display .....	E-16
4.3	Calibration Mode Display .....	E-16
	4.3.1 Language .....	E-17
	4.3.2 Engineering Units .....	E-17
	4.3.3 K-Factor .....	E-18
	4.3.4 Output Current .....	E-18
	4.3.5 Pulse Output .....	E-19
	4.3.6 Relay .....	E-19
	4.3.7 Filter Function .....	E-20
	4.3.8 Totalizer .....	E-21
4.4	Test Menu .....	E-21
	4.4.1 Offset-Compensation .....	E-21
	4.4.2 Span-Compensation .....	E-22
	4.4.3 Frequency Display .....	E-22
	4.4.4 Flow Simulation .....	E-22
<b>5</b>	<b>MAINTENANCE</b> .....	<b>E-23</b>
5.1	Factory Setting of Flow Transmitter Electronic module SE35 .....	E-23
5.2	Maintenance .....	E-23
5.3	Spare Parts List .....	E-24
	<b>APPENDIX</b> .....	<b>G-1</b>
	Examples of connection Flow Transmitter type 8035 Inline .....	G-1
	Flow Chart (US-gallon/min, DN in inch and Ft/s) .....	G-3

Dear Customer,

Congratulations on your purchase of our digital flow transmitter type 8035.

**Before installing or mounting this device, please take our advice and read the entire manual thoroughly.**

This will enable you to fully profit from all of the advantages offered by this product.

## 1.1 Unpacking and Control

Please verify that the product is complete and free from any damage. The standard delivery must include:

- 1 Transmitter electronic type SE35
- 1 Instruction manual type SE35
- 1 Instruction manual type S030

If there is any loss or damage, please contact your local Bürkert subsidiary.

## 1.2 About this Manual

This manual does not contain any warranty statement. Please refer to our general terms of sale and delivery.

Only properly-trained staff should install and/or repair this product. If difficulties should occur at the time of installation, please contact your nearest Bürkert sales office for assistance.

## 1.3 User's Responsibility for Safety

Bürkert manufactures a broad range of flow transmitters. While each of these products is designed to operate in a wide variety of applications, it is the user's responsibility to select a transmitter model that is appropriate for the application, install it properly, and maintain all components. Special attention must be paid to the chemical resistance of the transmitter against the fluids which are directly contacting the product.

This symbol appears in the manual to call special attention to instructions that affect the safe installation, function and use of the product.



## 1.4 Electromagnetic compatibility

This device conforms to the EMC-Directive of the Council of European Communities 89/336/EEC.

In order to comply with this directive, the wiring instructions must be followed.

## 2 SPECIFICATION

## FLOW TRANSMITTER 8035

### 2.1 Transmitter type specification

A flow transmitter type 8035 is consisting of a S030 fitting which houses the paddle-wheel and an electronic transmitter type SE35, specially designed to be installed on the fitting. Use a separate order N° for the S030 Fitting. For more informations about the fittings see the corresponding instruction manual.

<b>International Standard Version</b>	<b>Cable Input</b>	<b>Item-No.</b>
<b>Transmitter 2 Totalizers, Power Supply 12-30 VCC, 4...20 mA</b>		
Pulse Output	DIN43650 PG 9	<b>423915 F</b>
Pulse Output	PG 13,5	<b>423916 G</b>
Pulse Output, 2 relays	2 x PG 13,5	<b>423918 J</b>
Pulse Output on relay REED	2 x PG 13,5	<b>423919 K</b>
<b>Transmitter 2 Totalizers, Power Supply 115-230 VAC, 4...20 mA</b>		
Pulse Output	2 x PG 13,5	<b>423922 E</b>
Pulse Output, 2 relays	2 x PG 13,5	<b>423924 G</b>
Pulse Output on relay REED	2 x PG 13,5	<b>423925 H</b>

<b>North-America Standard Version</b>	<b>Cable Input</b>	<b>Item-No.</b>
<b>Transmitter 2 Totalizers, Power Supply 12-30 VCC, 4...20 mA</b>		
Pulse Output	Conduit G 1/2 "	<b>423927 B</b>
Pulse Output	G 1/2"	<b>423928 L</b>
Pulse Output, 2 relays	2 x G 1/2"	<b>423930 J</b>
Pulse Output on relay REED	2 x G 1/2"	<b>423931 F</b>
<b>Transmitter 2 Totalizers, Power Supply 115-230 VCC, 4...20 mA</b>		
Pulse Output	2 x G 1/2"	<b>423933 H</b>
Pulse Output, 2 relays	2 x G 1/2"	<b>423935 B</b>
Pulse Output on relay REED	2 x G 1/2"	<b>423936 C</b>

## 2 SPECIFICATION

## FLOW TRANSMITTER 8035

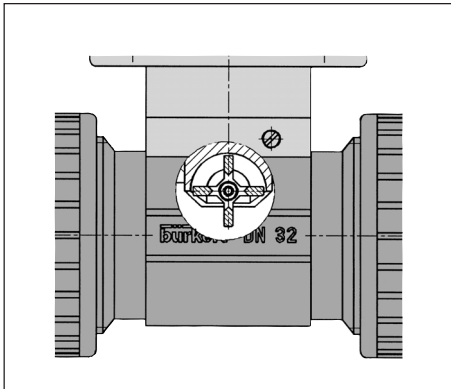
### 2.2 Design and Measuring Principle

#### Design

The flow transmitter type 8035 consists of an electronic IP65 housing Type SE35 set by quarter turn on the fitting S030. The electronic housing integrates the electronic board with display, programming keys and also a the transducer (coil). The paddle-wheel is mounted in the fitting..

The transducer component converts the measured signal and displays the actual value.

The output signals are provided via a 4-pole plug or via one PG 13.5 (version without relay) or via two PG 13.5 (version with relays).



#### Measuring Principle

When liquid flows through the pipe, 4 magnets inserted in the paddle-wheel set in rotation produce a measuring signal in the 8035 transducer.

The frequency modulated induced voltage is proportional to the flow velocity of the fluid. A conversion coefficient, specific to each pipe (size and material) enables the conversion of this frequency into flowrate. This coefficient (Factor-K in pulse/liter) is available in the instruction manual of the inline fitting (S030).

The transducer without relay functions in a 2-wire circuit and requires a power supply of 12...30 VDC. A 4...20 mA standard signal is available as output signal, proportional to the flow rate. A pulse output with transistor open collector NPN/PNP or relay Reed (option) is available.

The transducer with two additional relays functions in a 3-wire circuit. Limit values are freely adjustable (not available with relay Reed option).

The flow transmitter 8035 measures a flow rate from 0.3 m/s (1.0 ft/s).

The flow transmitter electronic module type SE35 can receive a power supply 230/115 VAC as an option.

## 2 SPECIFICATION

## FLOW TRANSMITTER 8035

### 2.3 Electronic module SE35: External dimensions

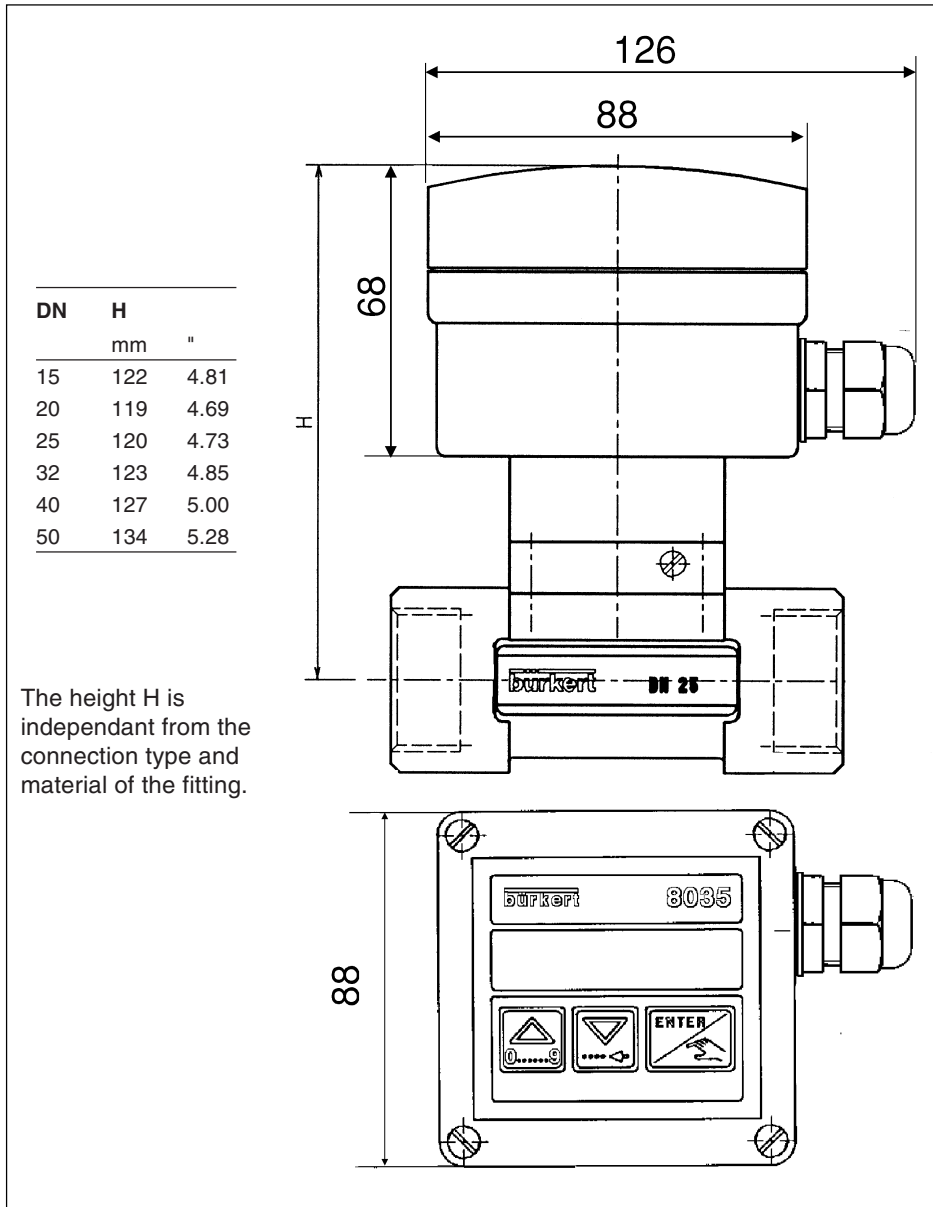


Fig. 2.1 Electronic enclosure SE35 external dimensions

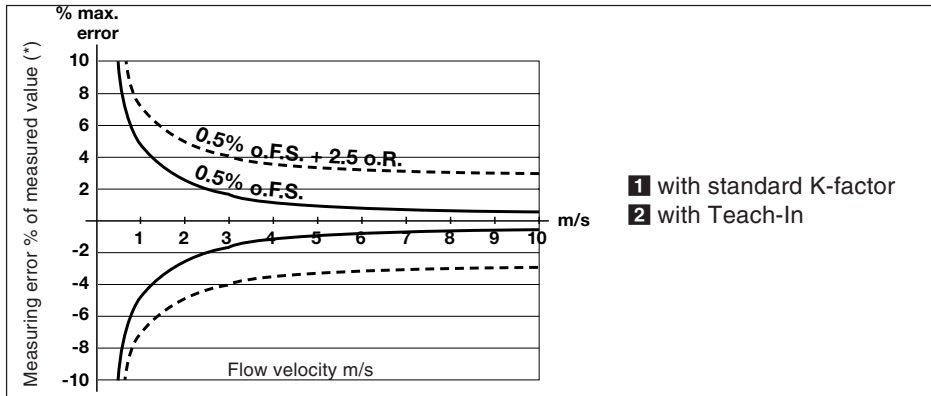
## 2 SPECIFICATION

## FLOW TRANSMITTER 8035

### 2.4 Technical Data

Pipe diameter	from DN 15 to DN 50 (1/2" to 2")
Measuring range	0,3 to 10 m/s (1.0 to 32.8 ft/s)
flow range	as from 3 l/min (DN15 pipe, 0.3 m/s flow velocity)
flow range	as from 0.8 gpm (1/2" pipe, 1.0 ft/s flow velocity)
<b>Plastic fitting</b>	<b>PVC; PP; PVDF</b>
Pressure class	PN10
Fluid temperature max	PVC: 50 °C (132°F); PP: 80 °C (176°F); PVDF: 100 °C (212°F)
<b>Metal fitting</b>	<b>Stainless-stel (316L 1.4404); brass</b>
Pressure class	PN16
Fluid temperature max:	100 °C (212°F)
Ambiant temperature	0 to 60 °C (32 to 140 °F)
Storage temperature	0 to 60 °C (32 to 140 °F)
Relative humidity	80 %
Enclosure	IP65
Measuring error	1.With In-line calibration (Teach-In): ≤±0.5% o.F.S. (at 10 m/s) * 2.With standard mean K-Factor: ≤± (0.5% o.F.S. +2.5% o.R.) * ≤±0.5% o.F.S. (at 10 m/s) *
Linearity	≤±0.5% o.F.S. (at 10 m/s) *
Repeatability	0.4% o.R. *
Display	15 x 60 mm LCD 8 digits, alphanumeric, 15 segments, 9 mm high
Sensor holder	PVDF, PP, PVC, SS 316L (1.4404), Brass
Paddle-wheel	PVDF
Axis and bearing	ceramic; O-rings FPM
Electronics housing	PC; Front plate foil polyester
Voltage supply	12...30 VDC (115/230 V as an option)
Output signal	4...20 mA
Load	max. 900 Ω at 30V; max. 500 Ω at 24V; max. 100 Ω at 15V; max. 800 Ω at 115/230 VAC
Pulse output	Open collector NPN and PNP, 0...30 V, 100 mA, protected, freely adjustable
Pulse output relay REED	Contact relay REED, closing 0,1 s. Opening depending on flow rate (0.1 s min. U max: 34 V, 0.2 A
Relay output (optional)	2 relays, 3 A, 220 V, freely adjustable

(\*) Under reference conditions i.e. measuring fluid water, ambient and water temperature 20°C, applying the minimum inlet and outlet pipe straights, matched pipe dimensions.  
o.F.S. = of standard Full Scale (10 m/s) - o.R. = of Reading



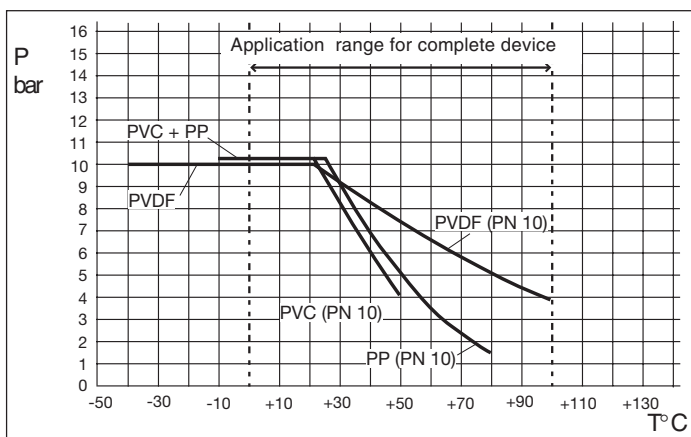
Measuring error with/without Teach-In (cf § 2.4)

3.1 Installation Guidelines

**!** The flow transmitter 8035 can only be used to measure pure, liquid and water resembling fluids (solids content ≤ 1%, viscosity max. 300 cSt with on-line calibration). Observe pressure-temperature dependence according to the fitting material.

Installation Guidelines

The pipe must be completely filled with the liquid, i.e. air bubbles must not be present. The flow sensor is not designed for gas flow measurement. The device must be protected from constant heat radiation and other environmental influences, such as direct exposure to sunlight. The recommended upstream and downstream straight pipe length should respect 10xD in and 3xD out. According to pipe's design, necessary distances can be bigger or use a flow tranquilizer to obtain the best accuracy. For more informations please refer to EN ISO 5167-1.



The flow sensor can be installed in either horizontal or vertical pipe. The suitable pipe size is selected using the diagram on the end pages (G-3). Pressure and temperature ratings must be respected according to the selected fitting material. (see fig. 3.1)

Fig. 3.1 Pressure-Temperature-Diagram

## 3 INSTALLATION

## FLOW TRANSMITTER 8035

### 3.2 Process mounting

The flow sensor electronic SE35 can be easily installed in pipes using the specially designed fitting system S030.

1. The fitting **1** must be installed into the pipe according to the installation specifications in section 3.1.

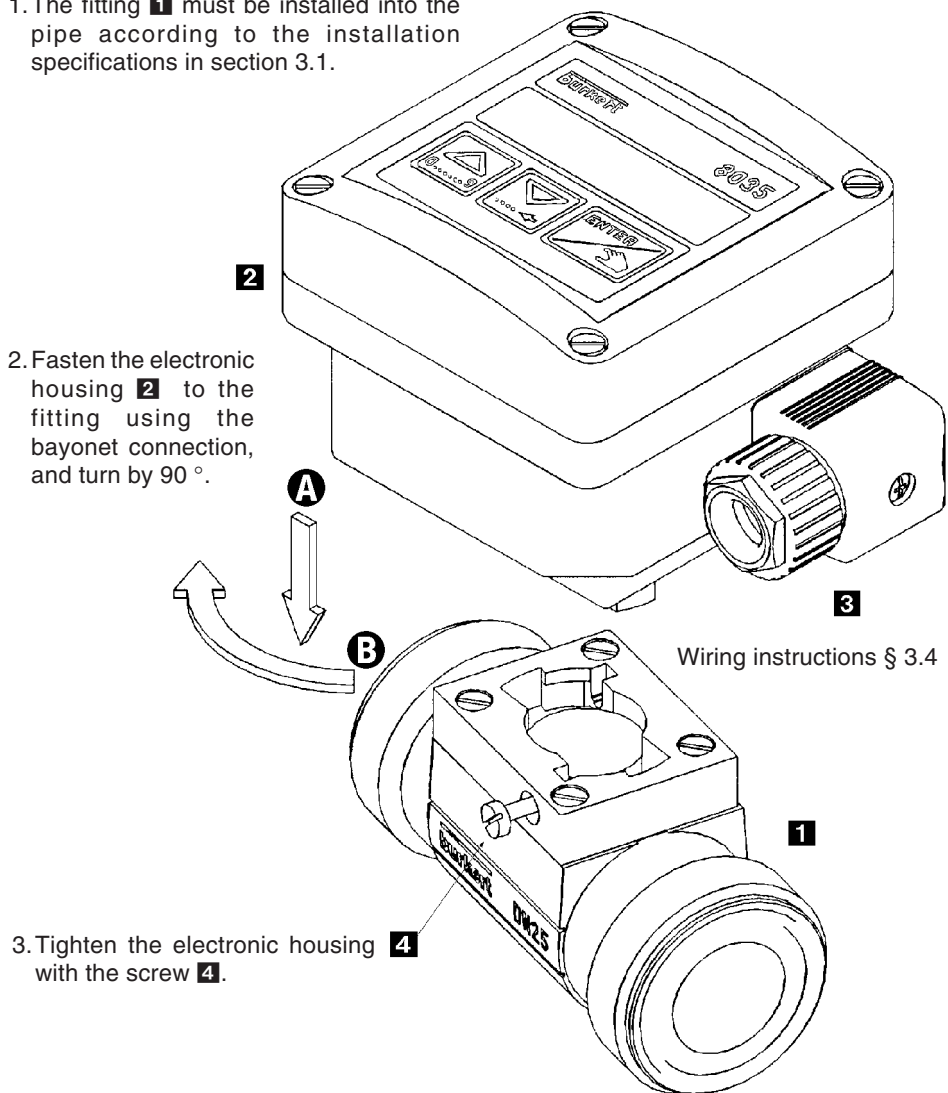


Fig. 3.2 Flow transmitter type 8035 mounting diagram



## 3 INSTALLATION

## FLOW TRANSMITTER 8035

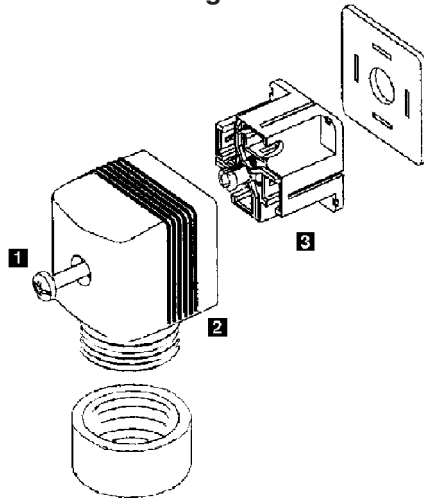
### 3.3 General Electrical Connection

The connecting line conducts the measuring signal and must not be installed in combination with high voltage or high frequency carrying lines. If a combined installation cannot be avoided, either keep a min. space of 30 cm (approx. 1 ft) or use coax cables. When using coax cables observe faultless grounding of the shield. For normal operating conditions, the measuring signal can be transmitted by a simple cable of 0.75 mm<sup>2</sup> cross section. Always use a coax cable in case of doubt. The power supply must be of good quality (filtrated and regulated).

**Note:** For EMC purposes, the earth must be connected via the earth lug on the side of the enclosure. This point must be connected locally to a good earth.

### 3.4. Electrical wiring

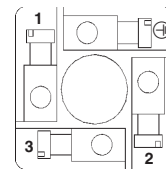
#### 3.4.1 Connecting Transmitter SE35 without relay



#### Wiring via cable plug

Standard DIN 43 650 plug connector with PG9-cable glands, pipe cross section max. 1.5 mm<sup>2</sup>, IP65 rating (fig. 2). Open plug and wire according following istructions:

- 1: L+ (12...30 VDC)
- 2: Pulse output ⊕
- ⊖: Pulse output ⊖
- 3: L-



**Note:** The pulse output of the Transmitter SE35 can easily be connected to a PLC.(fig. 3.5).

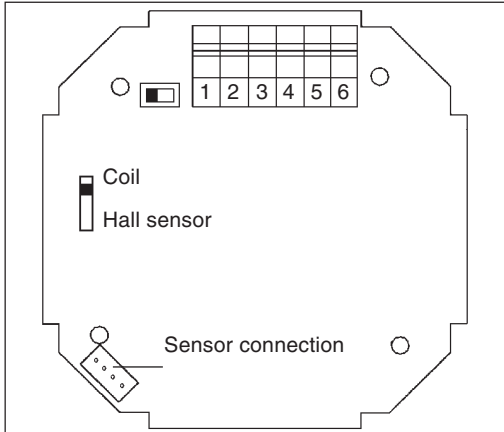
**Fig. 3.3** Cable plug assembly

1. To open the connector remove screws **1**.
2. Remove internal part **3** from external part **2**.
3. Connect according to above pin assignment.
4. When re-assembling, the internal part may be inserted into the external part in 90 °-step intervals as required.

### 3 INSTALLATION

### FLOW TRANSMITTER 8035

#### 3.4.1 Connecting SE35 without relay



#### Connection to PG 13.5 cable gland

Remove cover, pull cable through PG 13.5 and wire according to following pin assignment (fig. 3.4).

- 1: Not assigned
- 2: L+ (12...30 VDC)
- 3: L-
- 4: Earth (earth lug)
- 5: ⊖ pulse output
- 6: ⊕ pulse output

#### PLC-connection:

The current output of the transmitter electronic module SE35 without relay can easily be connected to any type of PLC. (see fig. 3.5).

Fig. 3.4 Pin assignment SE35 without relay

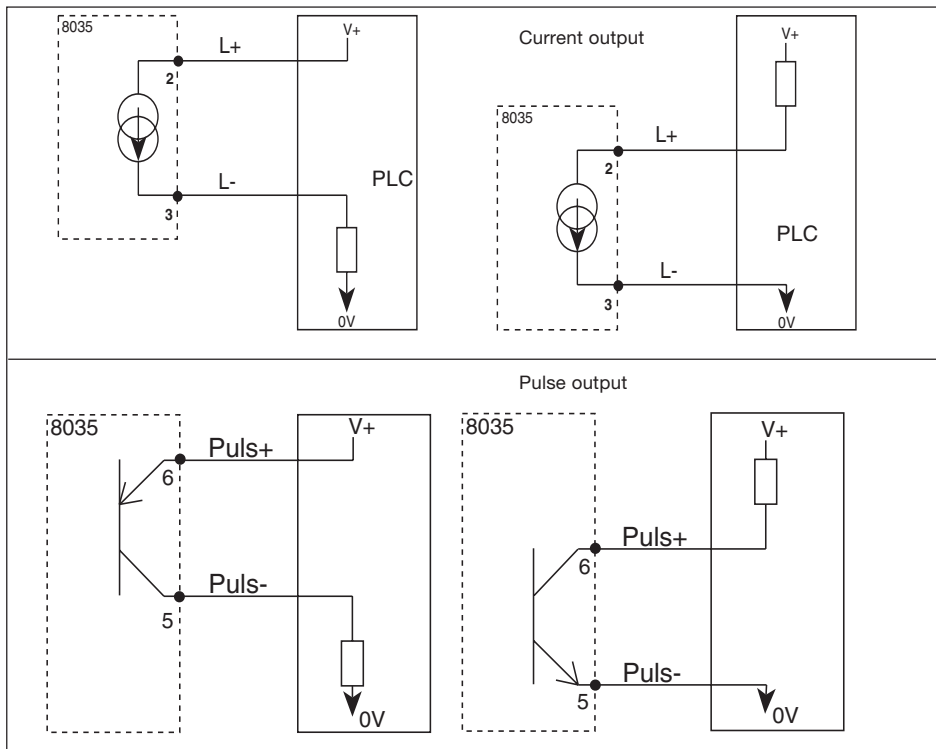


Fig. 3.5 SE35 without relay, connection to a PLC

## 3 INSTALLATION

## FLOW TRANSMITTER 8035

### 3.4.2 Connecting SE35 with relays

#### Connection to PG 13.5 cable gland

Ensure the electrical wiring via 2 cable glands. Remove cover, pull cable through PG 13.5 and wire according to following pin assignment (fig. 3.6):

- 1: Current output 4...20 mA
- 2: L+ (12...30 VDC)
- 3: L-
- 4: Earth (earth lug)
- 5: ⊖ pulse output
- 6: ⊕ pulse output
- 7: Relay 2
- 8: Relay 2
- 9: Relay 1
- 10: Relay 1

**PLC-connection:** Depending on the PLC-version, set the switch **1** on the circuit board to position A or B (fig. 3.6 and fig. 3.7).

**4-20 mA Output:** If the 4-20 mA current output is used, remove the strap (1-3) (see fig. 3.6).

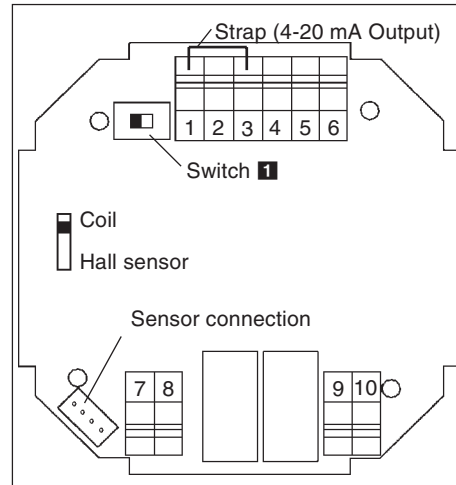


Fig. 3.6 Pin assignment SE35 with relays

**Warning:** If the current output 4...20 mA is not used: set the switch **1** in position A (fig. 3.7) and the strap between 1-3 (fig. 3.6).

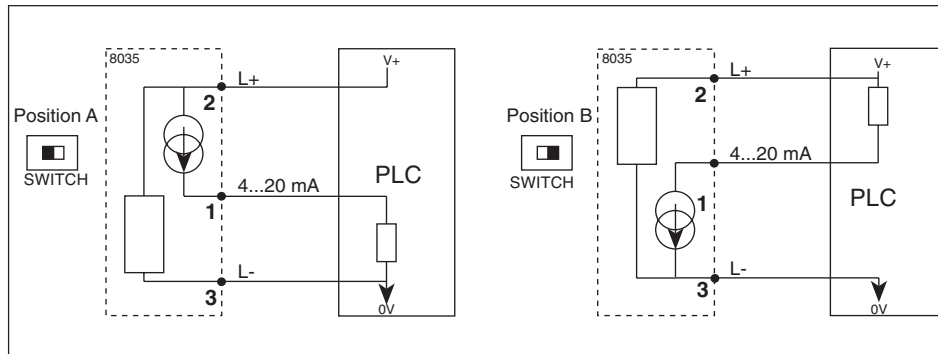


Fig. 3.7 SE35 with relays, 4-20 mA output connection to a PLC

### 3.4.3 Connecting the pulse output to a PLC

The pulse output of the flow transmitter SE35 (with or without relay) can easily be connected to any type of PLC (see fig. 3.5 and example G-8).

## 3 INSTALLATION

## FLOW TRANSMITTER 8035

### 3.4.4 Electrical wiring with Power Supply 115/230 VAC (option)

Remove the cover of the transmitter, the power supply board is in the bottom of the housing. Pull the cable through PG 13,5 and connect according to fig. 3.8.

The connection of the output signals (current, pulse and relays) is identical to the connection of the 12/30 VDC transmitter version.

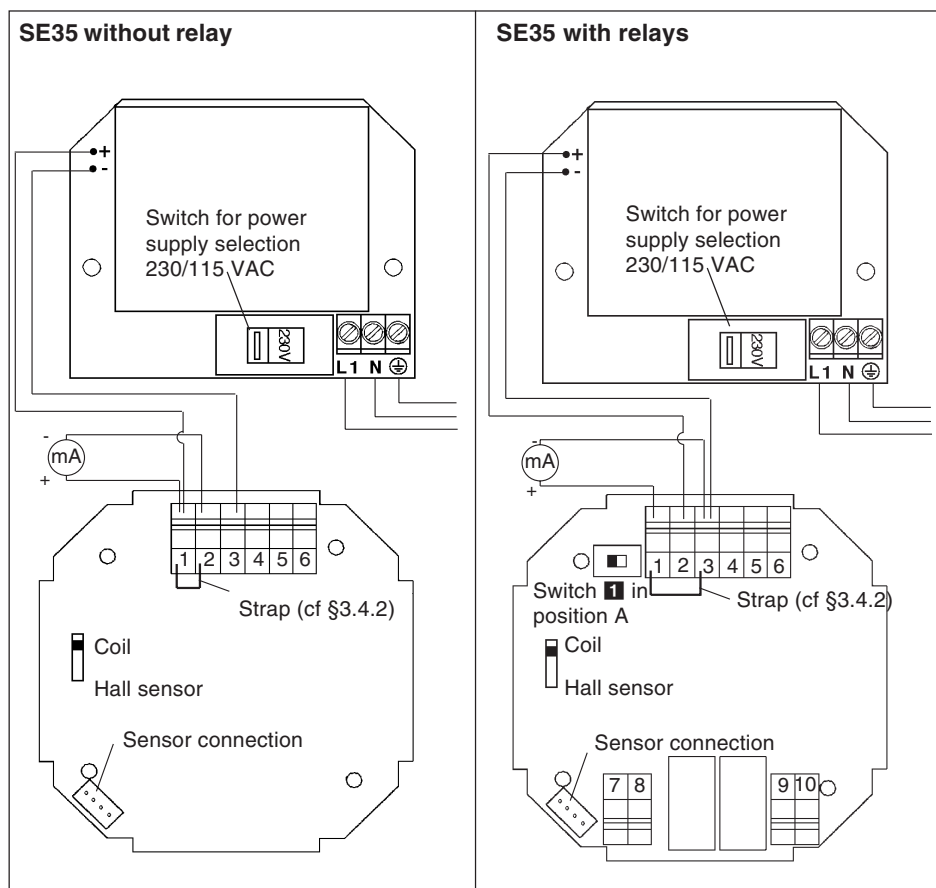


Fig. 3.8 Electrical wiring 115/230VAC power supply



**Warning:** If the current output 4...20 mA is not used: set the switch **I** in position A (fig. 3.7) and the strap between 1-3 (fig. 3.6).

### 3 INSTALLATION REED

### FLOW TRANSMITTER 8035

#### 3.4.5 Electrical connection electronic module SE35 with pulse output on relay REED

##### Connection to PG 13.5 cable gland

Ensure the electrical wiring via 2 cable glands. Remove cover, pull cable through PG 13.5 and wire according to following pin assignment (fig. 3.9):

- 1: Current output 4...20 mA
- 2: L+ (12...30 VDC)
- 3: L-
- 4: Earth (earth lug)
- 5: Pulse (relay REED)
- 6: Pulse (relay REED)

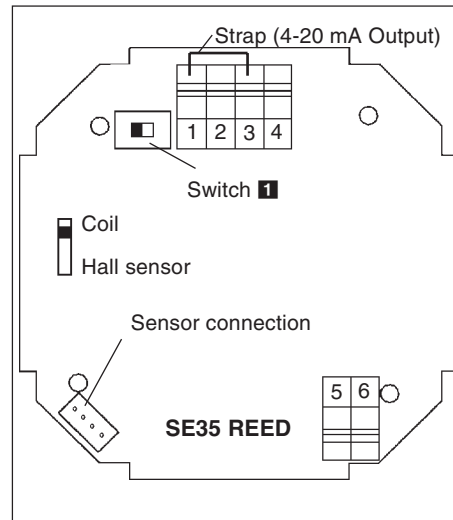


Fig. 3.9 Wiring SE35 with relay REED

**PLC-connection:** Depending on the PLC-version, set the switch **1** on the circuit board to position A or B (fig. 3.9 and fig. 3.10).

**4-20 mA Output:** If the 4-20 mA current output is used, remove the strap (1-3) (fig. 3.9).

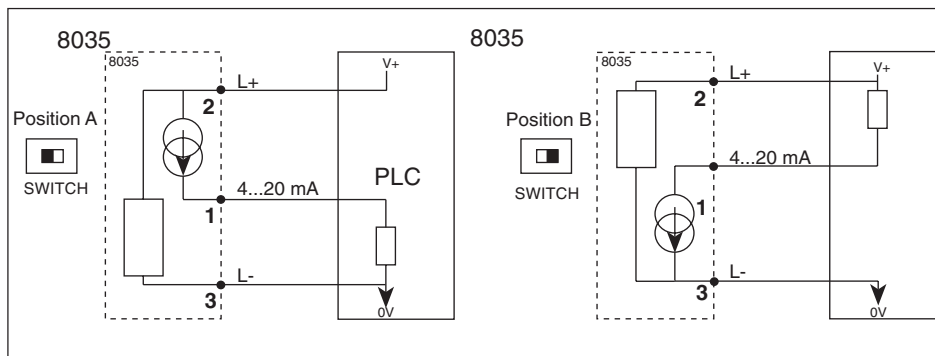


Fig. 3.10 SE35 with relay REED, 4-20 mA output connection to a PLC

**Warning:** If the current output 4...20 mA is not used: set the switch **1** in position A (fig. 3.10) and the strap between 1-3 (fig. 3.9).

### 3 INSTALLATION REED

### FLOW TRANSMITTER 8035

#### 3.4.6 SE35 with relay REED and 115/230 VAC (option)

Remove the cover of the transmitter, the power supply board is in the bottom of the housing. Pull the cable through PG 13,5 and connect according to fig. 3.8. The connection of the output signals (current and pulse on relay REED) is identical to the connection of the transmitter type SE35 with relay REED version 12/30 VDC.

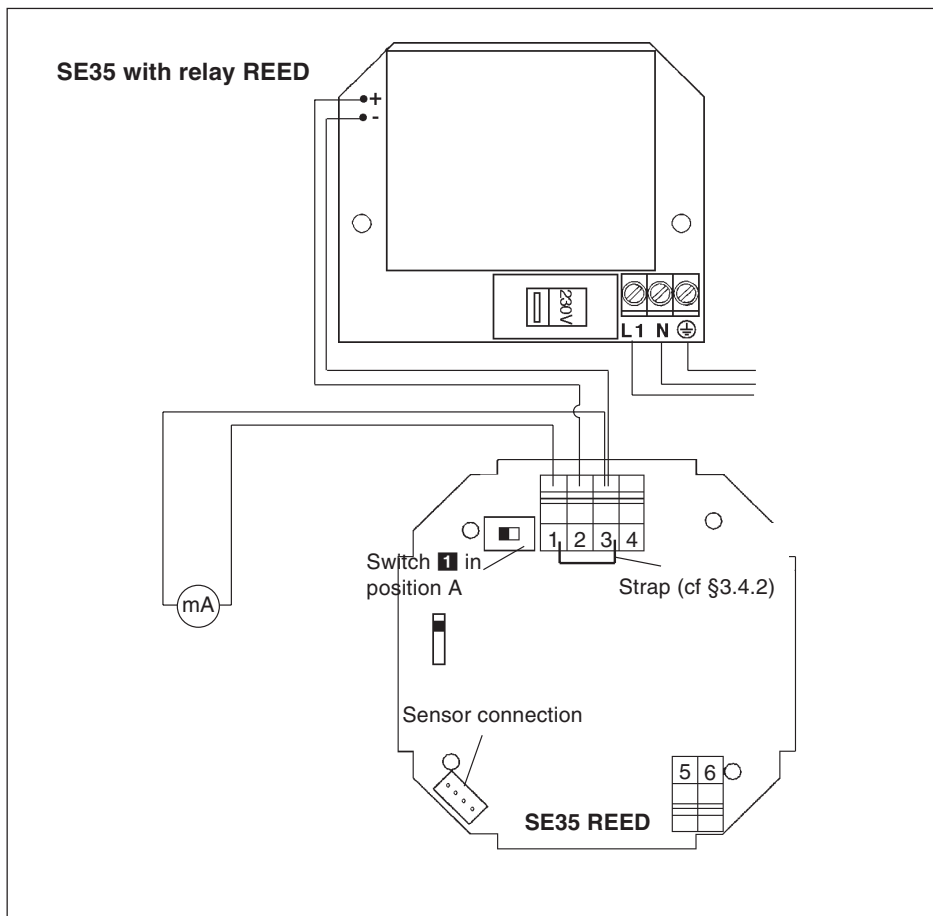


Fig. 3.11 Transmitter SE35 with relay REED and 115/230VAC power supply



If the current output 4...20 mA is not used: set the switch **1** in position A (fig. 3.10) and the strap between 1-3 (fig. 3.9).

## 4 OPERATION

## FLOW TRANSMITTER 8035

The operation is classified according to three levels.

### A) Display

This menu displays flow, output current, main totalizer and daily totalizer. The daily totalizer can also be reset in this menu.

### B) Parameter Definition

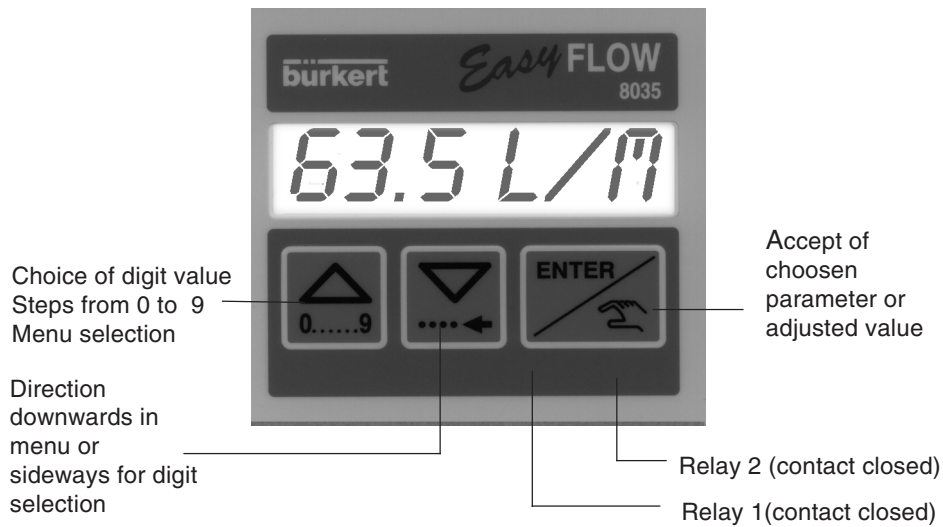
All the necessary settings, such as the language, engineering units, K-factor, 4...20 mA measuring range, pulse output, relay and filter are carried through in this menu. Here, the main, as well as the daily totalizer are simultaneously reset.

### C) Testing

A flow can be simulated in this menu, which allows to test a process in the "dry-run condition".

This menu also displays the sensor frequency and allows to change the basic settings (Offset, Span) of the device.

### 4.1 Transmitter Operating and Control Elements

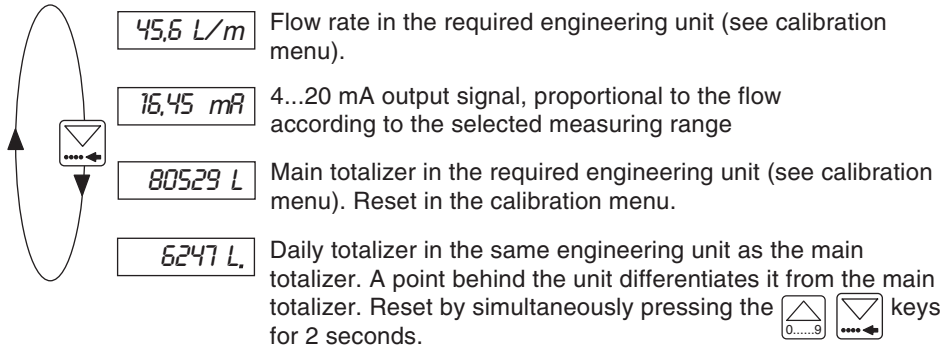


## 4 OPERATION

## FLOW TRANSMITTER 8035

### 4.2 Operation Mode Display

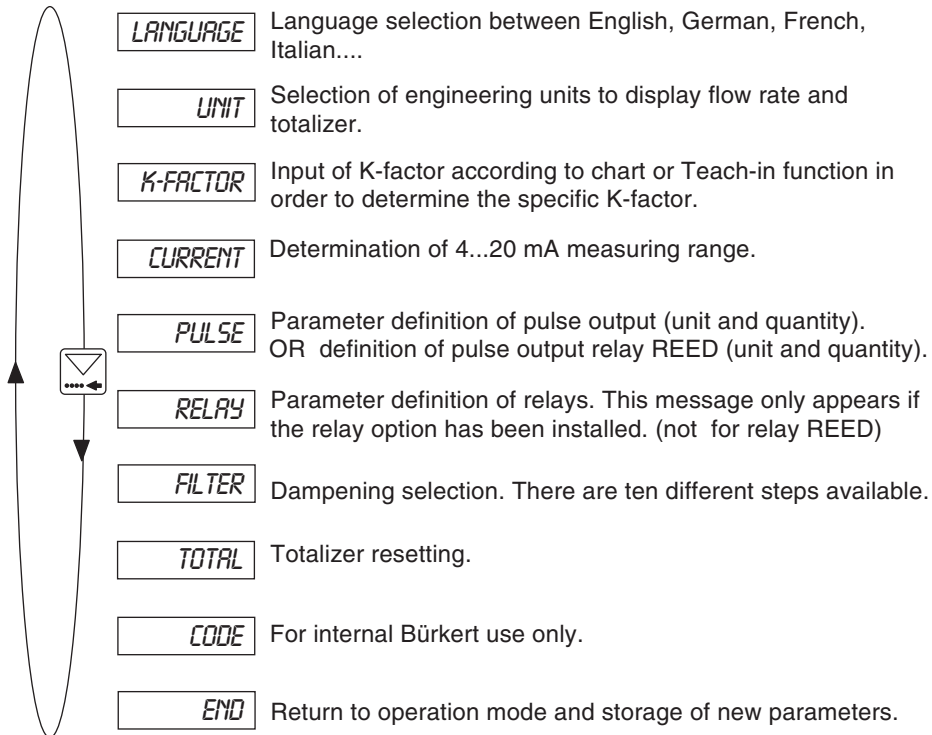
The following variables are displayed in the operation mode:



### 4.3 Calibration Mode

Press   simultaneously for 5 seconds

The following variables can be set in the parameter definition menu:

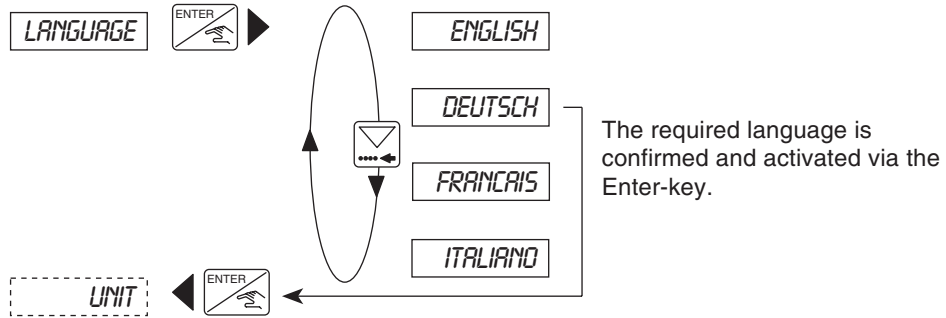




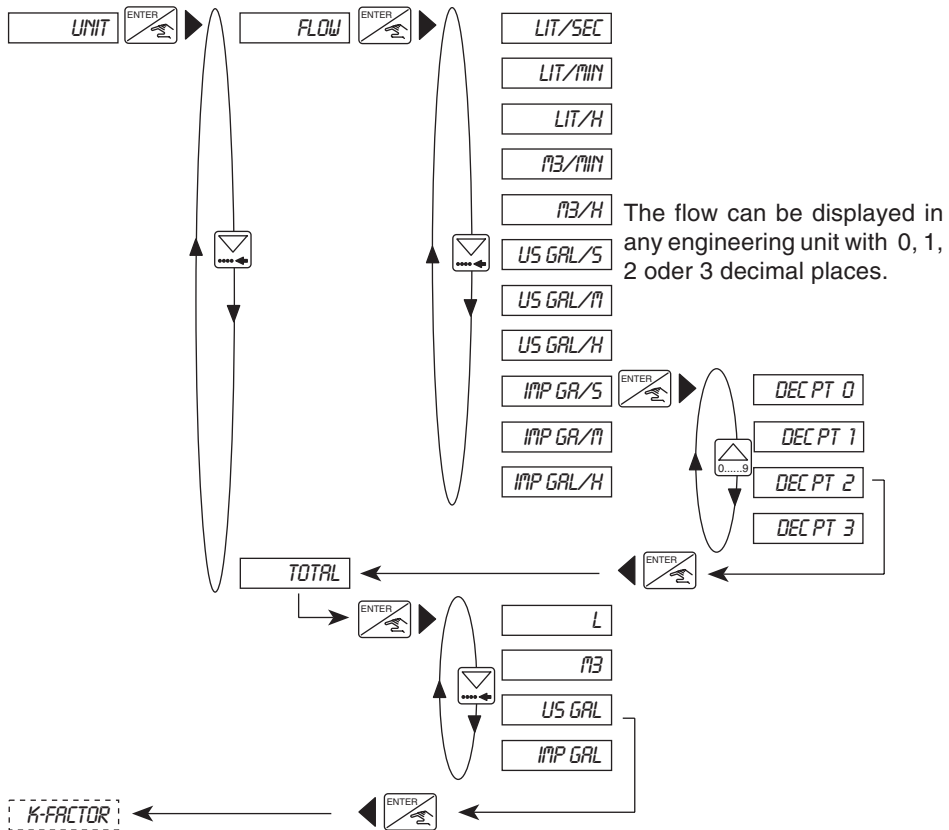
## 4 OPERATION

## FLOW TRANSMITTER 8035

### 4.3.1 Language



### 4.3.2 Engineering Units



**Note:** Return to the main menu only via the sub-menu "TOTAL".

## 4 OPERATION

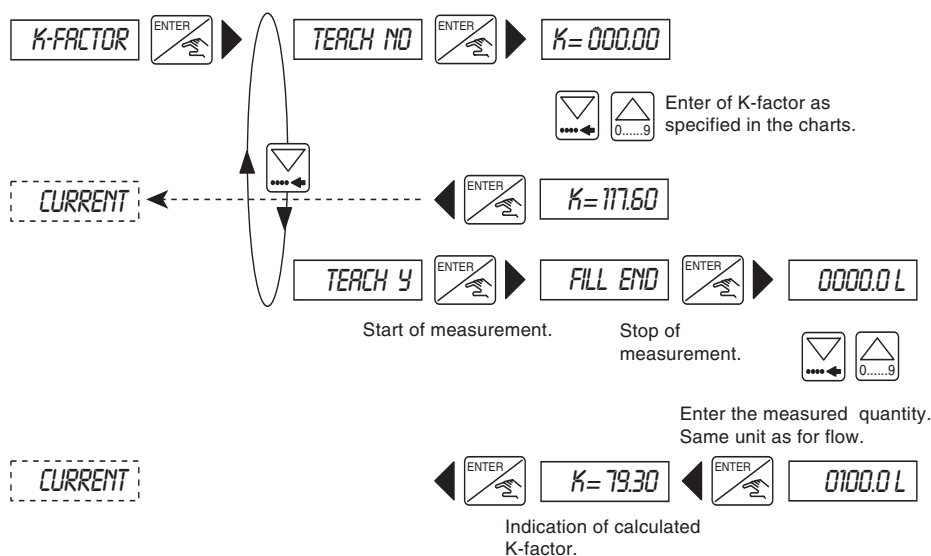
## FLOW TRANSMITTER 8035

### 4.3.3 K-Factor

The K-factor of the fitting (refer to S030 reference manual) is entered in this menu . The "Teach in" function allows to practically determine the application specific K-factor. The user only needs to run a known quantity through his system.

**Example:** In order to determine a quantity the most accurately possible, the user shall fill a tank of 100 litres. When the message "TEACH YES" appears, he presses the Enter key to start the measuring procedure. The message "FILL END" (end of filling) will appear. He then switches on a pump or opens a valve. As soon as his tank is full, he switches off the pump or closes the valve. Pressing Enter stops the measurement. The user will then be asked to enter the quantity (100 litres). The calculated K-factor is displayed after validation.

**Note:** The device uses the K-factor entered or determined at last.



### 4.3.4 Output current

The measuring range of the flow, corresponding to the 4...20 mA output current is entered here. E.g. 0 to 180 l/min corresponds to 4...20 mA. The beginning of the measuring range can be larger than the end of it, i.e. 0 to 180 l/min corresponds to 20...4 mA (inverted output signal).

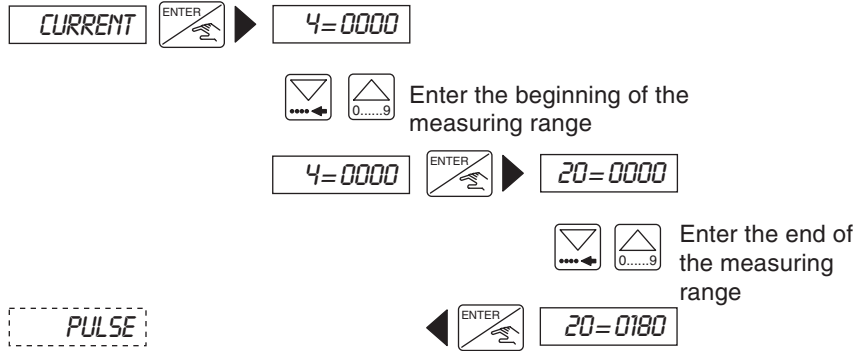
The settings (unit and decimal place), as selected for the flow indication will apply.



In case of electronic internal failure, the current output is set to 22 mA.

## 4 OPERATION

## FLOW TRANSMITTER 8035

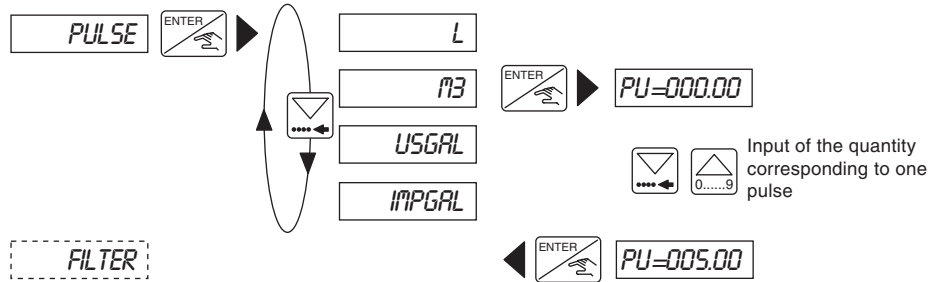


### 4.3.5 Pulse output

In this menu, the parameters of the pulse output are defined and the flow rate, that shall correspond to one pulse is determined. First enter the unit, then the value.

Example: 1 impulse corresponds to 5 m<sup>3</sup>.

**Relay REED version:** same function



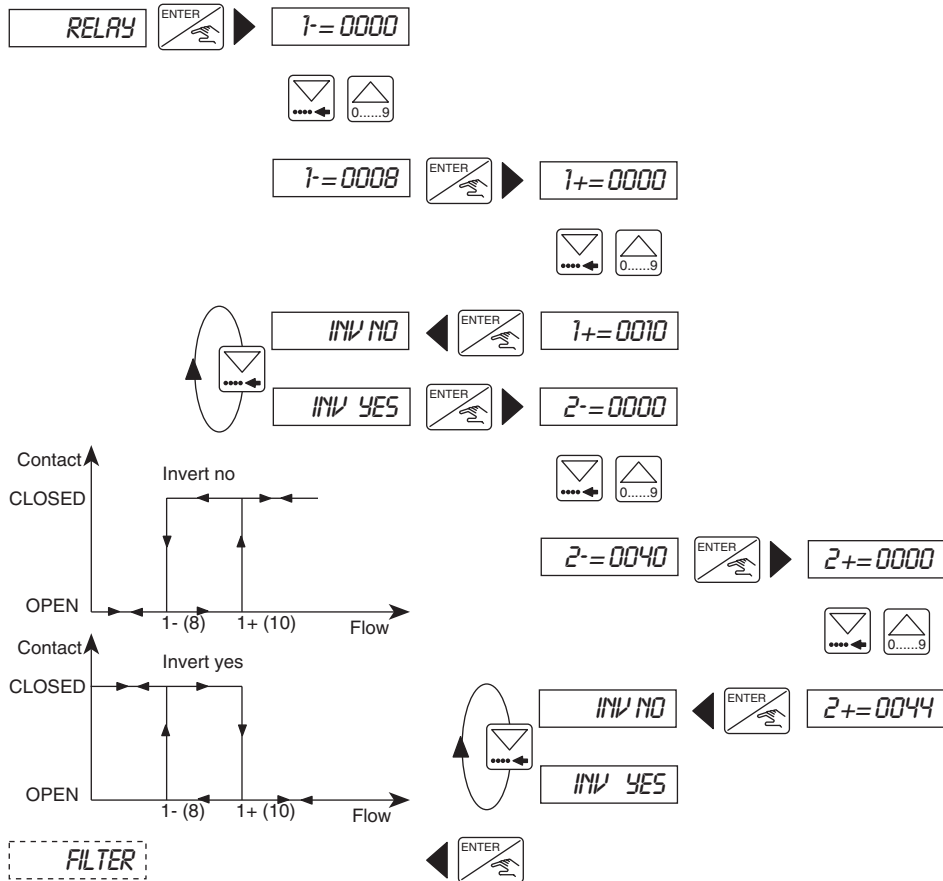
### 4.3.6 Relay

The parameter definition of the limit contacts is done in this menu. Two limit values are entered for each relay ; 1- and 1+ or 2- and 2+. The user also has the possibility to invert the relays. The unit and decimal place, as selected in the sub-menu "UNIT" are activated.

**Caution!** The following condition must be observed:  $1- \leq 1+$ ,  $2- \leq 2+$ .  
Not available on Transmitter electronic type SE35 with relay REED.

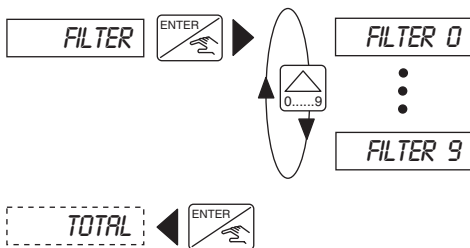
## 4 OPERATION

## FLOW TRANSMITTER 8035



### 4.3.7 Filter function

The dampening is specified in this sub-menu. It prevents fluctuations of the display and output current. There are ten levels available. The first level ("FILTER 0") has no dampening effect.

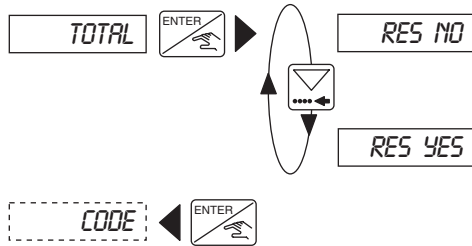


## 4 OPERATION

## FLOW TRANSMITTER 8035

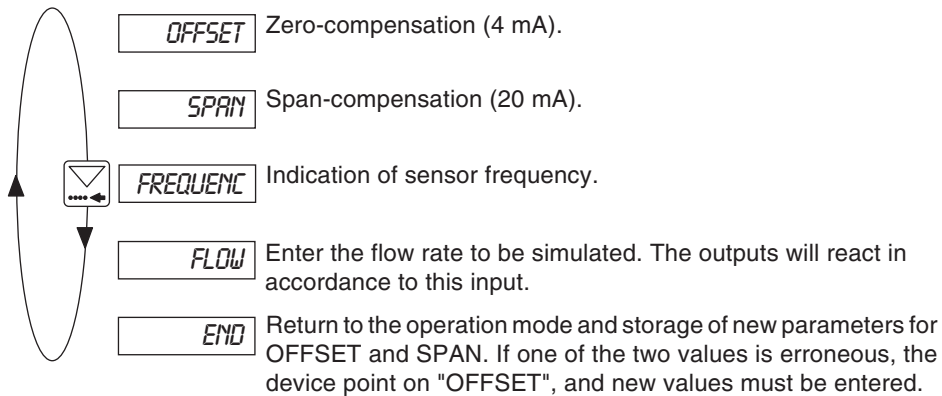
### 4.3.8 Totalizer

The main and daily totalizers are reset in this menu. The reset procedure only starts when Enter is pressed, at the "END" position in the parameter definition menu.



### 4.4 Test Menu: Press simultaneously for 5 seconds

The following compensations and tests are carried through in the test menu:



#### 4.4.1 Offset-compensation

The option to correct the basic setting of 4 mA. A currentmeter is necessary. When Enter is pressed while "OFFSET" is displayed, the transmitter produces 4 mA. If this value is incorrect, it can be corrected (within the limit of -0,2; +1 mA) by entering the measured value.

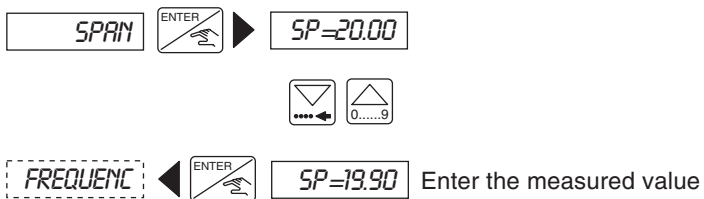


## 4 OPERATION

## FLOW TRANSMITTER 8035

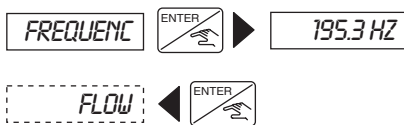
### 4.4.2 Span-compensation

The option to correct the basic adjustment of 20 mA. The procedure is identical to the Off-set procedure. When ENTER is pressed while "SPAN" is indicated, the transmitter produces 20 mA. If this value is incorrect (within the limit of -1/+1 mA), it can be corrected by entering the measured value.



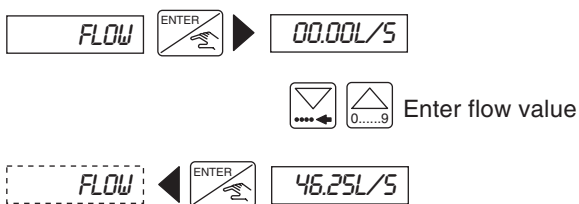
### 4.4.3 Frequency display

Here, the sensor frequency is displayed until the Enter key is pressed.



### 4.4.4 Flow simulation

A flow can be simulated in this menu. This allows the user to test his system without any liquid. Even though the simulated value influences the output current and the relays, it has no impact on the pulse output. Unit and decimal place, as selected in the sub-menu "UNIT" are active.



The simulation is active until the user enters into another sub-menu.

## 4 OPERATION

## FLOW TRANSMITTER 8035

### 5 Maintenance

#### 5.1 Factory setting of the transmitter electronic SE35 at delivery

Language:	English	Current:	4 mA:	00.00
Unit of flow:	L/s		20 mA:	03.00
Unit of totalizers:	L	Pulse output	unit:	L
Decimal points:	2		PU:	000.10
K-factor:	46.60	Relay:	no	
		Filter:		Filter 2

#### User setting of the transmitter SE35 N°:

Language:		Current:	4 mA:	
Unit of flow:			20 mA:	
Unit of totalizers:		Pulse output	unit:	
Decimal points:			PU:	
K-factor:		Relay:		
		Filter:		Filter
Fitting used:				

#### 5.2 Trouble-shooting

In correct installation the transmitters are maintenance-free. If contamination or clogging should occur during operation, the transmitter (paddle-wheel, bearing) can be cleaned with water or another appropriate cleaning agent.

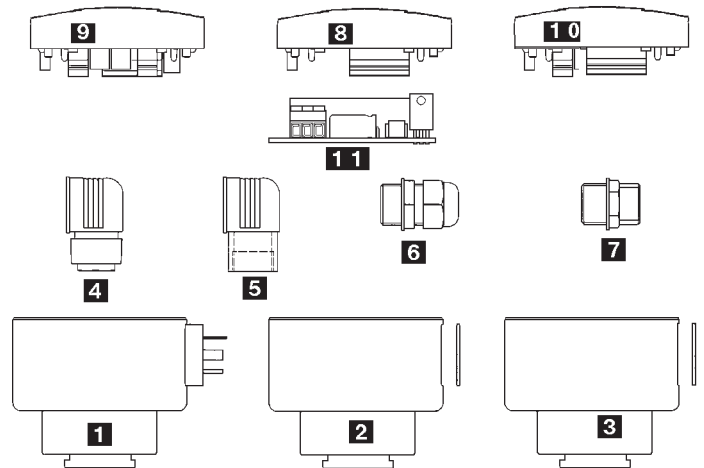
The message "ERROR" on the display indicates that calibration data has been lost. By pressing ENTER, the user access to operation menu but the device works with the factory settings (see § 5.1). The transmitter must be re-calibrated. If this message appears more often, please return the product to the factory.

## 5 MAINTENANCE

## FLOW TRANSMITTER 8035

### 5.3 Spare Parts List

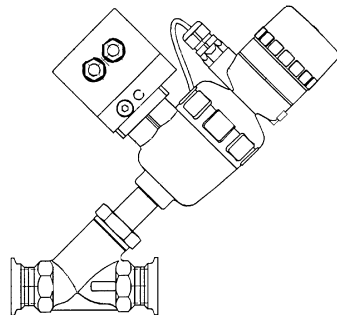
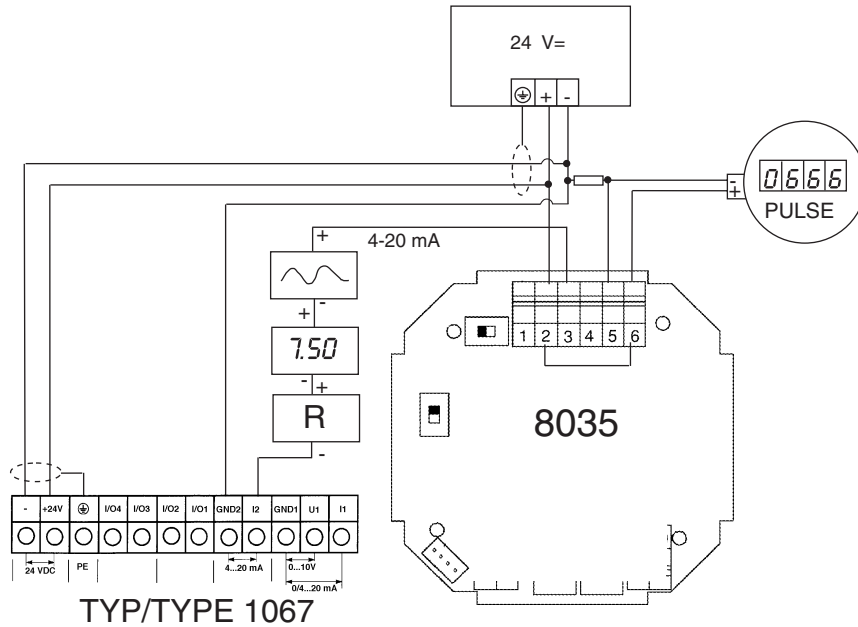
Transmitter electronic module type SE35 4-20 mA ; pulse output, 2 totalizers		
Position	Specification	Order N°.
1	Sensor housing with plug connector	425246S
2	Sensor housing with 1 flat packing	425247T
3	Sensor housing with 2 flat packings	425248C
4	Cable plug	424205Z
5	Cable plug USA-version	424206S
6	PG 13.5	418339Q
7	PG 13.5 USA-version (G 1/2 ")	418340M
8	Cover with screws, sheeting and printed circuit board Transmitter without relay and software version F4	425249D
9	Cover with screws, sheeting and printed circuit board Transmitter with relays and software version F4	425250A
10	Cover with screws, sheeting and printed circuit board Transmitter with relay REED and software version F4	425251X
11	Power supply board 115/230 VAC	419581M
	Instruction manual Fitting type S030	426107R
	Instruction manual Transmitter type SE35	419746H



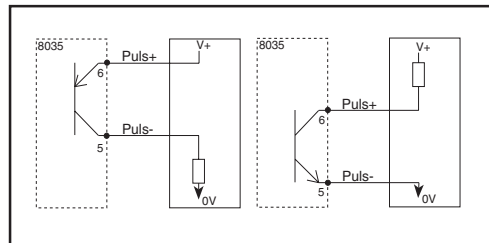


# ANSCHLUSS-CONNECTION

# TRANSMITTER 8035



Regelventil mit Positioner  
Control valve with positioner  
Vanne de régulation avec positionneur



Anschluss des Pulsausgangs  
Connection of the pulse output  
Connexion de la sortie impulsions

## Beispiel - Example - Exemple: *Easy* LINK

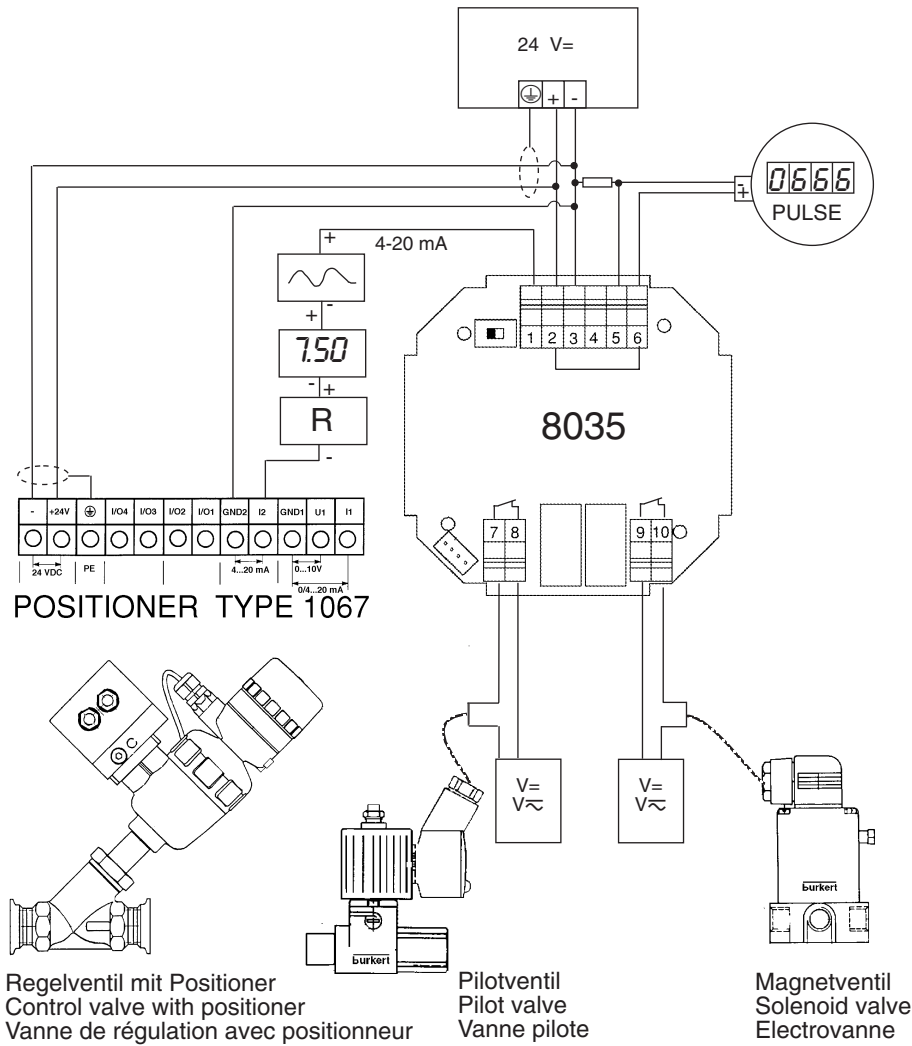
Anschluss Durchfluss Transmitter 8035 Inline 12-30 VDC ohne Relais

Connection flow transmitter 8035 Inline 12-30 VDC without relay

Connexion transmetteur de débit 8035 Inline 12-30 VCC sans relais

# ANSCHLUSS-CONNECTION

# TRANSMITTER 8035



## Beispiel - Example - Exemple: *Easy* LINK

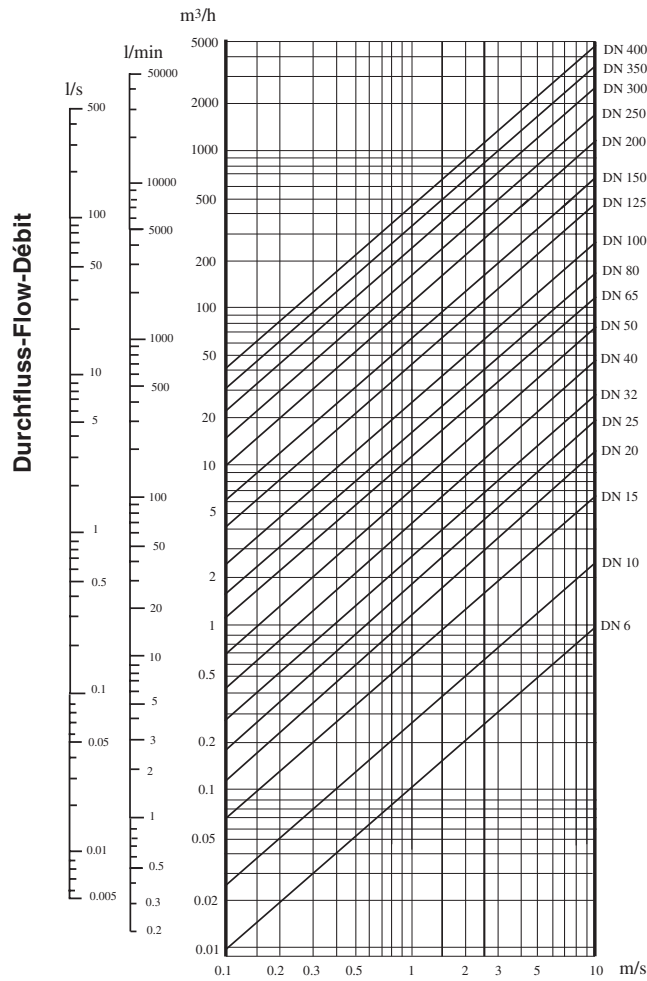
Anschluss Durchfluss Transmitter 8035 Inline 12-30 VDC mit Relais

Connection flow transmitter 8035 Inline 12-30 VDC with relays

Connexion transmetteur de débit 8035 Inline 12-30 VCC avec relais

## ANHANG-APPENDIX-ANNEXE A TRANSMITTER 8035

- 1) Durchfluss-Diagramm (L/min, DN in Zoll und m/s)
- 1) Flow Chart (L/min, DN in inch and m/s)
- 1) Abaque débit/vitesse/diamètre (L/min, DN en inch et m/s)



Durchfluss Geschwindigkeit - Flow velocity - Vitesse d'écoulement

**Auswahlbeispiel:**  
**Selection example:**  
**Exemple:**

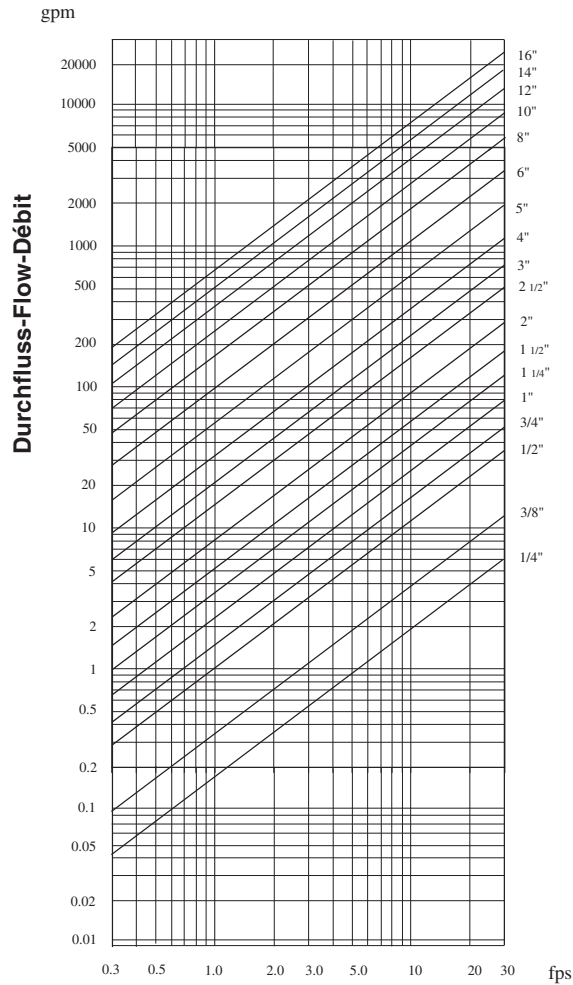
**Vorgabe - Specifications - Données:**

Durchfluss-Flow-Débit: 10  $m^3/h$   
 Ideale Durchflussgeschwindigkeit: 2...3  $m/s$   
 Ideal flow velocity: 2...3  $m/s$   
 Vitesse optimale du fluide: 2...3  $m/s$

**Erforderliche Nennweite - Required orifice - Dimension requise : DN 40.**

## ANHANG-APPENDIX-ANNEXE A      TRANSMITTER 8035

- 2) Durchfluss-Diagramm (US-gallon/min, DN in Zoll und fps)
- 2) Flow Chart (US-gallon/min, DN in inch and fps)
- 2) Abaque débit/vitesse/diamètre (US-gallon/min, DN en inch et ft/s)



**Durchfluss Geschwindigkeit - Flow velocity- Vitesse d'écoulement**

**Auswahlbeispiel:**  
**Selection example:**  
**Exemple:**

**Vorgabe -Specifications - Données:**  
 Durchfluss-Flow-Débit: 50 gpm  
 Ideale Durchflussgeschwindigkeit: 8 fps  
 Ideal flow velocity: 8 fps  
 Vitesse optimale du fluide: 8 fps

**Erforderliche Nennweite - Required orifice - Dimension requise : 1 1/2"**

## SERVICE

---

### Australia

Bürkert Fluid Control Systems  
Unit 1 No.2, Welder Road  
Seven Hills NSW 2147  
Tel +61 2 967 461 66  
Fax +61 2 967 461 67

### Austria

Bürkert Contromatic GmbH  
Central and Eastern Europe  
Diefenbachgasse 1-3  
Postfach 89  
A-1150 Wien  
Tel +43 1 894 13 33  
Fax +43 1 894 13 00

### Belgium

Bürkert Contromatic N.V./S.R.  
Middelmoenlaan 100  
B-2100 Deurne  
Tel +32 3 325 89 00,  
Fax +32 3 325 61 61

### Brasil

Conterval Ind. E. Com. Ltda.  
Rua Pinheiros 358  
Caixa Postal 11167  
05422 San Paulo  
Tel +55 11 852 93 77  
Fax +55 11 852 95 61

### Canada

Bürkert Contromatic Inc.  
760 Pacific Road, Unit 3  
Oakville, Ontario, L6L 6M5  
Tel +1 905 847 55 66,  
Fax +1 905 847 90 06

### Chile

Termodinamica Ltd.  
Av. Bulnes 195, Cas. 118  
Santiago de Chile  
Tel +56 2 635 39 50  
Fax +56 2 635 39 47

### China

Bürkert Contromatic  
(Suzhou) Co. Ltd.  
2/F, 71 Zhu Yuan Road  
215011 Suzhou  
Tel +86 512 808 19 16  
Fax +86 512 824 51 06

Bürkert Contromatic

China/HK Ltd.  
Rm. 1313  
No. 103, Cao Bao Road  
200233 Shanghai P.R.C.  
Tel +86 21 6484 7007  
Fax +86 21 6484 7008

Bürkert Contromatic  
China/HK Ltd.  
Beijing Office  
Rm. 808, Jing Tai Building  
No. 24, Jianguomen  
Waldajie

100022 Beijing P.R.C.  
Tel +86 10 6508 33 31  
Fax +86 10 6592 86 29

Bürkert Contromatic  
China/HK Ltd.  
Cheng Du Representative Office  
Rm. 502, Fujii Building  
No. 26 Shududadao  
Dongfeng Street  
Chengdu P.R.C.  
Tel +86 28 443 1895  
Fax +86 28 445 1341

### Denmark

Bürkert-Contromatic A/S  
Horkær 24  
DK-2730 Herlev  
Tel +45 44 50 75 00  
Fax +45 44 50 75 75

### Finland

Bürkert Oy  
Atomitie 5  
SF-00370 Helsinki  
Tel +358 9 549 70 600  
Fax +358 9 503 12 75

### France

Bürkert Contromatic  
B.P. 21  
Triembach au Val  
F-67220 Villé  
Tel +33 (0) 388 58 91 11  
Fax +33 (0) 388 57 09 61

### Germany / Deutschland

Bürkert Steuer- und Regeltechnik  
Christian-Bürkert-Straße 13-17  
D-74653 Ingelfingen  
Tel +49 7940 10-0  
Fax +49 7940 10 361

Niederlassung NRW  
Holzener Straße 70  
D-58708 Menden  
Tel +49 2373 96 81-0  
Fax +49 2373 96 81-52

Niederlassung Frankfurt  
Am Flugplatz 27  
D-63329 Egelsbach  
Tel +49 6103 94 14-0  
Fax +49 6103 94 14-66

Niederlassung München  
Paul-Gerhardt-Allee 24  
D-81245 München  
Tel +49 89 82 92 28-0  
Fax +49 89 82 92 28-50

Niederlassung Berlin  
Bruno-Taut-Straße 4  
D-12524 Berlin  
Tel +49 30 67 97 17-0  
Fax +49 30 67 97 17-66

Niederlassung Dresden  
Christian Bürkert Straße 2  
D-01900 Großröhrsdorf  
Tel +49 35952 3 63 00  
Fax +49 35952 3 65 51

Niederlassung Hannover  
Rendburger Straße 12  
D-30569 Hannover  
Tel +49 511 9 02 76-0  
Fax +49 511 9 02 76-66

Niederlassung Stuttgart  
Karl-Benz-Straße 9  
D-70794 Filderstadt (Bernh.)  
Tel +49 711 4 51 10-0  
Fax +49 711 4 51 10-66

### Greece

Tevox E.E.  
3 Xirogianni Straße  
Zografos Athen  
Tel +30 1-7 71 50 97  
Fax +30 1-7 75 12 26

### Great Britain

Bürkert Contromatic Ltd.  
Brimmscombe Port Business Park  
Brimmscombe, Stroud, Glos.  
GL5 2QF  
Tel. +44 (0) 1453 73 13 53  
Fax +44 (0) 1453 73 13 43

### Hong Kong

Bürkert Contromatic  
(China/HK) Ltd.  
Unit 708, Prosperity Centre  
77-81 Container Port Road  
Kwai Chung N.T.  
Hong Kong  
Tel +852 2480 1202  
Fax +852 2418 1945

### Indonesia

P.T. Fulkosindo  
JLKH Hasyim Ashari No. 38-A  
Jakarta 10140  
Tel +62 21 386 24 85  
Fax +62 21 386 24 85

---

## SERVICE

---

### Italy

Bürkert Contromatic Italiana S.p.A.  
Centro Direzionale 'Colombiolo'  
Via Roma 74  
I-20060 Cassina De Pecchi (MI)  
Tel +39 02 952 071  
Fax +39 02 952 07 251

### Japan

Bürkert Contromatic Ltd.  
3-39-8 Shoan  
Suginami-ku  
Tokyo 167-0054  
Tel +81 3 324 734 11  
Fax +81 3 324 734 72

### Korea

Bürkert Contromatic Korea Co. Ltd.  
4-10 Yangjae-Dong  
Secho-Ku  
Seoul 137-130  
Tel. +82 2 346 255 92  
Fax +82 2 346 255 94

### Malaysia

Bürkert Malaysia Sdn. Bhd.  
N° 22 Lorong Helang 2  
11700, Sunggai Dua  
Penang  
Tel. +60 4 657 64 49  
Fax +60 4 657 21 06

### Netherlands

Bürkert Contromatic BV  
Computerweg 9  
NL-3606 AV Maarssen  
Tel. +31 346 58 10 10  
Fax +31 346 56 37 17

### New Zealand

Bürkert Contromatic Ltd.  
Unit 5, 23 Hannigan drive  
Mt Wellington  
Auckland  
Tel +64 9 570 25 39  
Fax +64 9 570 25 73

### Norway

Bürkert Contromatic A/S  
Hvamstuppen 17  
P.O. Box 243  
N-2013 Skjetten  
Tel +47 63 84 44 10  
Fax +47 63 84 44 55

### Philippines

Delrene EB Controls Center  
2461 Uradaneta St. Guadelupe  
Nuevo Makati Metro  
Manila 3116  
Tel +63 2 819 05 36  
Fax +63 2 819 05 47

### Poland

Bürkert Contromatic Sp.z.o.o.  
1 Szpitalna Street  
PL-00-684  
Warszawa  
Tel +48 22 627 47 20  
Fax +48 22 627 47 20

### Portugal

LA 2ª P Lda  
Rua Almirante Sousa Dias  
Loja D. Nova Oeiras  
P-2780 Oeiras  
Tel. +351 1 442 26 08  
Fax +351 1 442 28 08

### Singapore

Bürkert Contromatic Singapore  
Pte.Ltd.  
No.11 Playfair Road  
Singapore 367986  
Tel +65 383 26 12  
Fax +65 383 26 11

### Spain

Bürkert Contromatic Española S.A.  
San Gabriel 40-44  
E-08950 Esplugues de Llobregat  
Tel +34 93 371 08 58  
Fax +34 93 371 77 44

### South Africa

Bürkert Contromatic Pty.Ltd.  
P.O.Box 26260, East Rand 1452  
Republic of South Africa  
Tel +27 11 397 2900  
Fax +27 11 397 4428

### Sweden

Bürkert Contromatic AB  
Skeppsbron 13 B, 5 tr.  
S-21120 Malmö  
Tel +46 40 664 51 00  
Fax +46 40 664 51 01

### Bürkert Contromatic AB

Havsörnstorget 21  
Box 1002  
S-12329 Farsta  
Tel +46 40 664 51 00  
Fax +46 8 724 60 22

### Switzerland

Bürkert-Contromatic AG Schweiz  
Bösch 65  
CH-6331 Hünenberg / ZG  
Tel +41 41 785 66 66  
Fax +41 41 785 66 33

### Taiwan

Bürkert Contromatic Taiwan Ltd.  
3F No. 475 Kuang-Fu South Road  
R.O.C - Taipei City  
Tel +886 2 275 831 99  
Fax +886 2 275 824 99

### Thailand

Alpha Contromatic Co. Ltd.  
259/13 Sukhvit 22  
Bangkok 10110  
Tel +420 641 22 61 80  
Fax +420 641 22 61 81

### Turkey

Bürkert Contromatic Ltd.  
Kontrol Sistemleri Ticaret A.S  
1203/8 Sok. No. 2-E  
Yenisehir  
Izmir  
Tel +90 232 459 53 95  
Fax +90 232 459 76 94

### Tzechia

Bürkert Contromatic Spool.s.r.o  
Prosenice c. 180  
CZ - 751 21 Prosenice  
Tel +42 0641 226 180  
Fax +42 0641 226 181

### USA

Bürkert Contromatic Corp.  
2602 McGaw Avenue  
Irvine, CA 92614, USA  
Tel. +1 949 223 31 00  
Fax +1 949 223 31 98

