

burkert

Fluid Control Systems

Bürkert Contromatic Italiana S.p.A.

Sede operativa

Centro Direzionale "Colombiolo" - Via Roma, 74

20060 Cassina De' Pecchi (MI)

Tel. +39-02-95907.1 - Fax +39-02-95907.251

Fax ordini +39-02-95907.252 - <http://www.burkert.it>

☎ Hot Line Tecnica dalle ore 7 alle ore 19

CARATTERISTICHE TECNICHE: 5371**TECHNICAL FEATURES:**

Valvola:	3 vie normalmente chiusa	azione diretta
Valve:	3 way normally closed	direct operation
Corrente alternata:	230 - 110 - 24 V	50/60 Hz 12 VA
Alternate current:		
Tenuta:	FPM (VITON)	
Sealing:		
Grado di protezione:	IP00 (senza connettore)	IP65 (con connettore)
Protection:	IP00 (without connector)	IP65 (with connector)
Temperatura ambiente:	+80°C	
Ambient temperature:		

NOTE : La valvola viene fornita smontata (parte idraulica e bobina separate) .
 Fori di fissaggio per n.2 viti M4 .

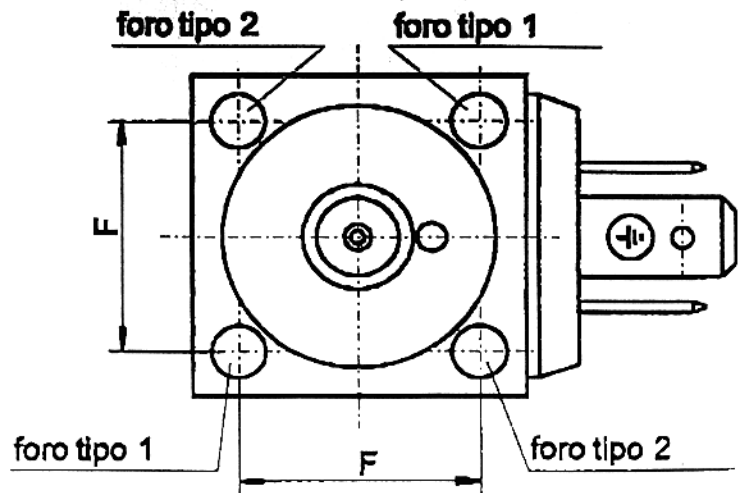
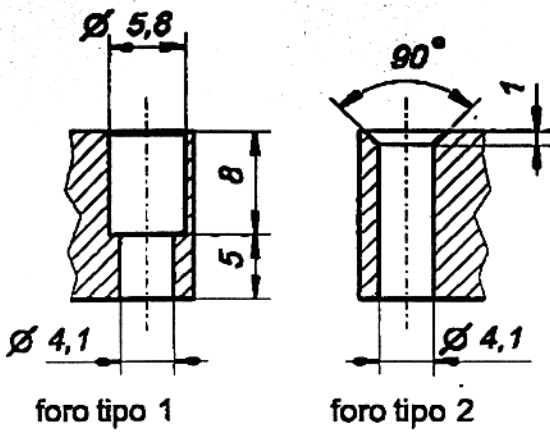
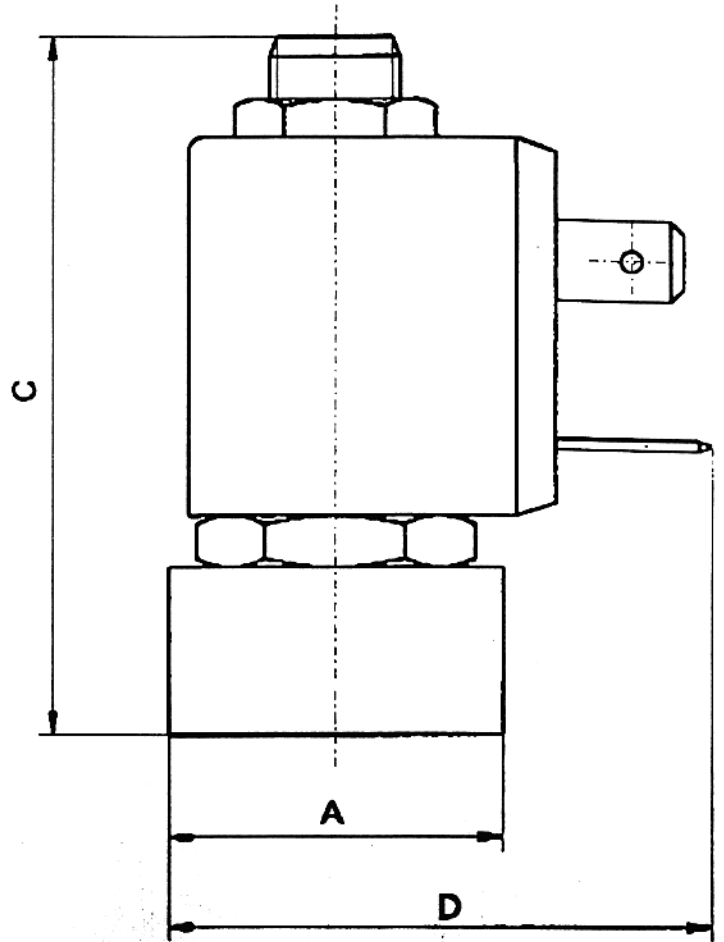
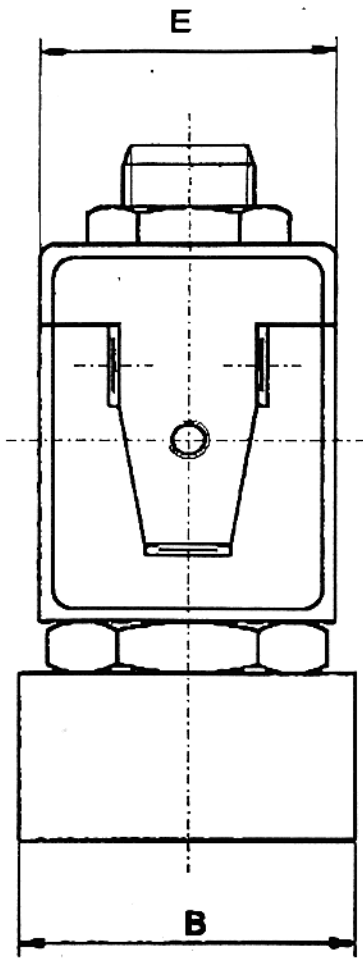
ATTACCHI	Ø PASS. mm	CODICE	AC bar	PESO Gr
FLANGIA	1	5371	15	130

- Ingresso e uscita attacco a flangia con OR 2012 - OR 2068
- Scarico attacco M5 femmina

TABELLA DIMENSIONI:

DIMENSIONS:

	A	B	C	D	E	F
5371	25	25	54,5	41	22	18



PRODUCT COVERED:

* USR, CNR Component - Electrically Operated Valves. General Purpose Valve Series 5, 6, and 9, followed by Class A, Class F, Class H, or Class N (suffix designates insulation class).

GENERAL:

These are two-way, normally closed, general purpose valves. See size and rating sheet for electrical, temperature, and pressure ratings. The Canadian Standard used for this investigation was CAN/CSA C22.2 No. 139-1982.

ENGINEERING CONSIDERATIONS (NOT FOR UL REPRESENTATIVE USE):

Use - The valves are for use only in products where the acceptability of the combination is determined by Underwriters Laboratories Inc.

Conditions of Acceptability shall be as follows:

1. The suitability of the any wiring to the valve with regard to secureness, temperature, and grounding must be evaluated in the end product.
2. These valves are intended for use only in a suitable electrical enclosure.
3. These valves were investigated at their maximum ambient and fluid temperatures, and at their maximum rated pressure. If end product use ambient and fluid temperatures exceed these temperatures, the solenoid coil temperature should monitored so as not to exceed their respective insulation class limits.
4. These valves were tested for 6000 cycles of operation at a rate of 6 cycles/minute.
5. These valves were subjected to the following Abnormal Tests: Burnout (blocked solenoid plunger) and Hydrostatic Pressure (50 bar/725 psig test pressure)
6. If NSF approved materials are necessary in the end-product, all water handling materials should be verified as to the status of their NSF approval.
7. If a fluid media other than water is used in the end-product, fluid compatibility with all the fluid handling and sealing components should be conducted in the end-product investigation.