



Advantages/Benefits

- ▶ Compact relay controller mounts integrally with probe or fitting
- ▶ Flame retardant, PP enclosure rated IP65 with rotational base and PG13 cable connector
- ▶ Available in AC or DC switch power configurations
- ▶ 6 or 12 amp SPDT relay outputs
- ▶ Switch selectable NO or NC
- ▶ Power fail-safe relay control
- ▶ Adjustable time delay dampens out unwanted signal chatter
- ▶ LED lights provide power, liquid and relay output status

Design/Function

The 6 amp, SPDT relay output provides an isolated level interface with valves, pumps, PLCs, relays and alarms. The 12 amp, SPDT relay output provides an isolated level interface with large valves and pumps, including PLCs, relays and alarms.

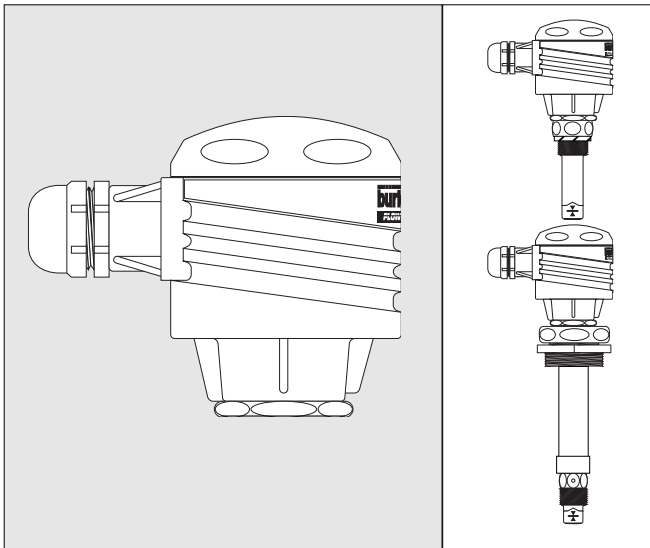
For remote 12 amp relay control, select from Burkert's family of SL31 rail mount controllers.

Applications

- High level switch / alarm prevents tank from overfilling
- Low level switch / alarm provides both pump and immersion heater protection
- Leak detection switch / alarm protects against spills and leaks within secondary containment
- Automatic fill or empty operation maintains liquid level between two switch points



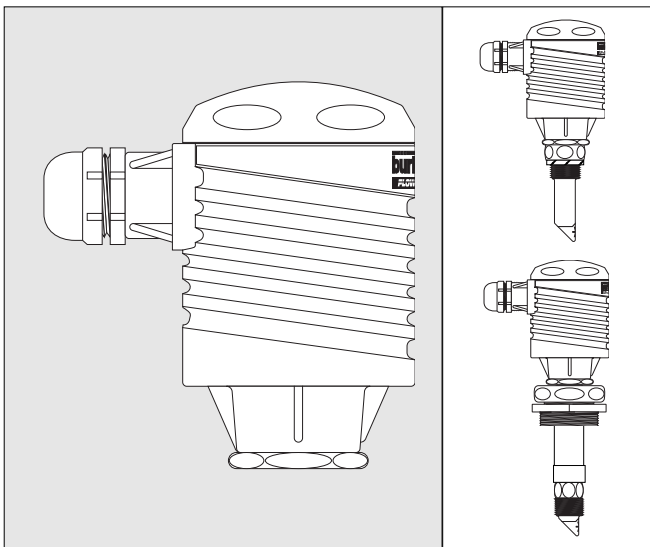
## DC Powered High or Low Level Switch



- Compact relay controller mounts directly on liquid level switch or fitting assembly
- PP enclosure rated IP65 with rotational base and PG13 cable connector
- 14 - 36 VDC power input
- 6 amp, SPDT relay output provides isolated level interface with pumps, valves, PLCs and alarms
- Switch selectable, NO or NC relay outputs

- Power fail-safe relay control
- 0,15 - 60 second, adjustable time delay dampens out unwanted signal chatter
- LED lights provide user with power, liquid and relay output status
- 13.5 VDC power supply for one liquid level switch

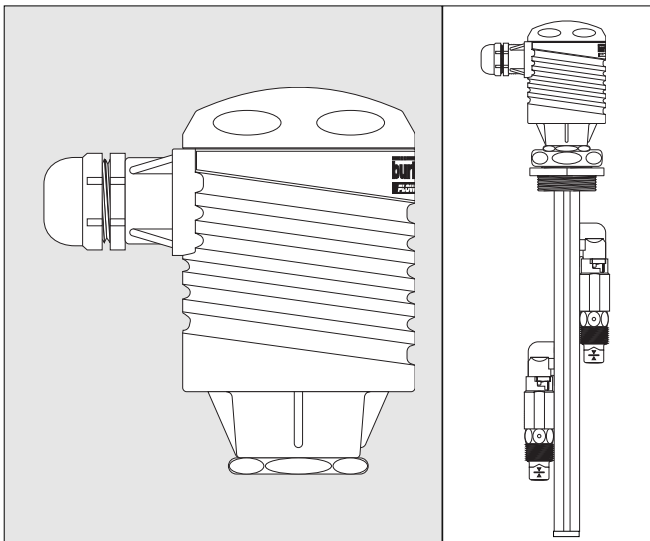
## AC Powered High or Low Level Switch



- Compact relay controller mounts directly on liquid level switch or fitting assembly
- PP enclosure rated IP65 with rotational base and PG13 cable connector
- Selectable 230/115 VAC power input
- 12 amp, SPDT relay output provides isolated level interface with large pumps, valves, PLCs and alarms
- Switch selectable, NO or NC relay outputs

- Power fail-safe relay control
- 0,15 - 60 second, adjustable time delay dampens out unwanted signal chatter
- LED lights provide user with power, liquid and relay output status
- 13.5 VDC power supply for one liquid level switch

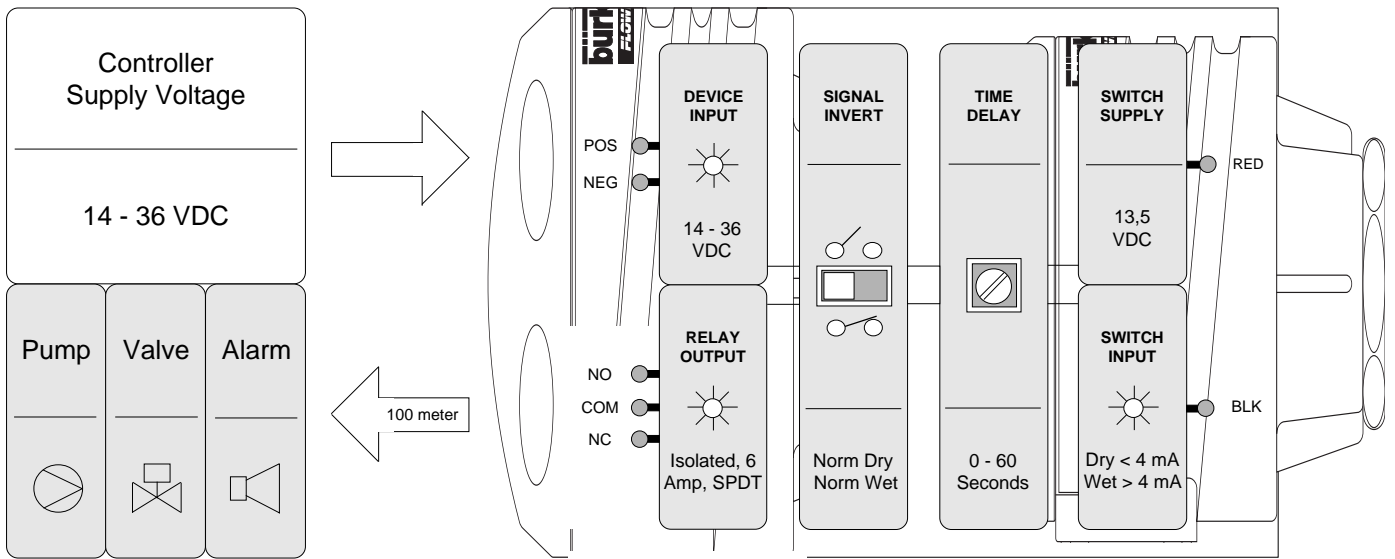
## AC Powered Automatic Fill or Empty



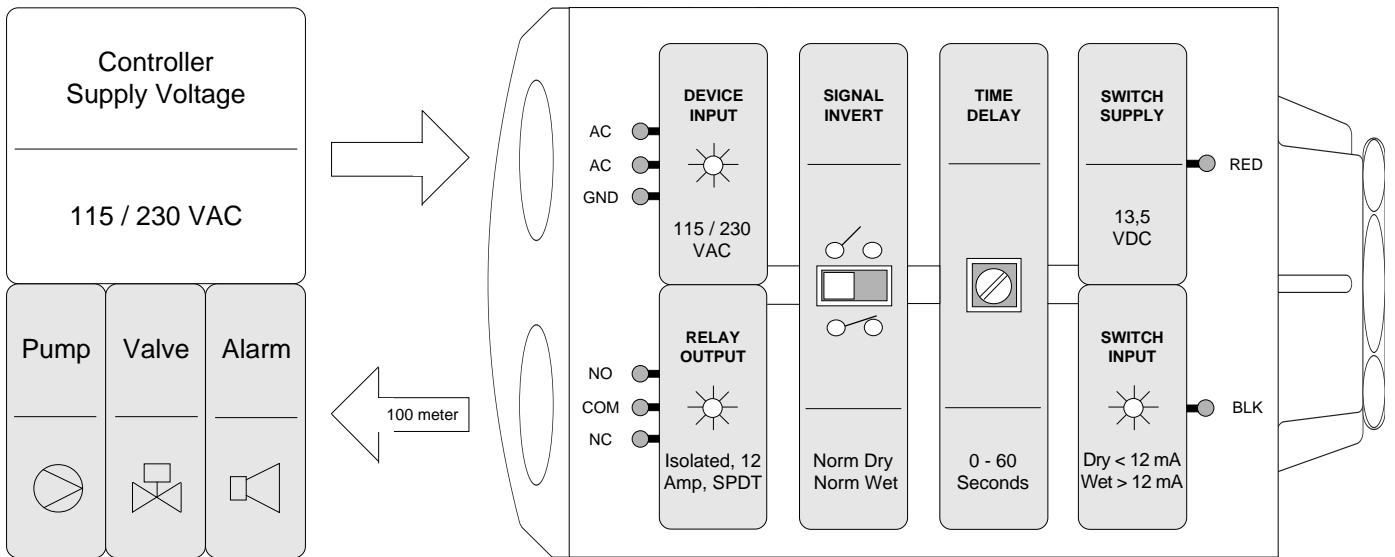
- Compact relay controller mounts directly on liquid level fitting assembly
- PP enclosure rated IP65 with rotational base and PG13 cable connector
- Selectable 230/115 VAC power input
- Latched 12 amp, SPDT relay output provides isolated level interface with pumps and valves
- Switch selectable, latch on or off relay configurations

- Switch selectable, NO or NC relay outputs
- Power fail-safe relay control
- 0,15 - 60 second, adjustable time delay dampens out unwanted signal chatter
- LED lights provide user with power, liquid and relay output status
- 13.5 VDC power supply for two liquid level switches

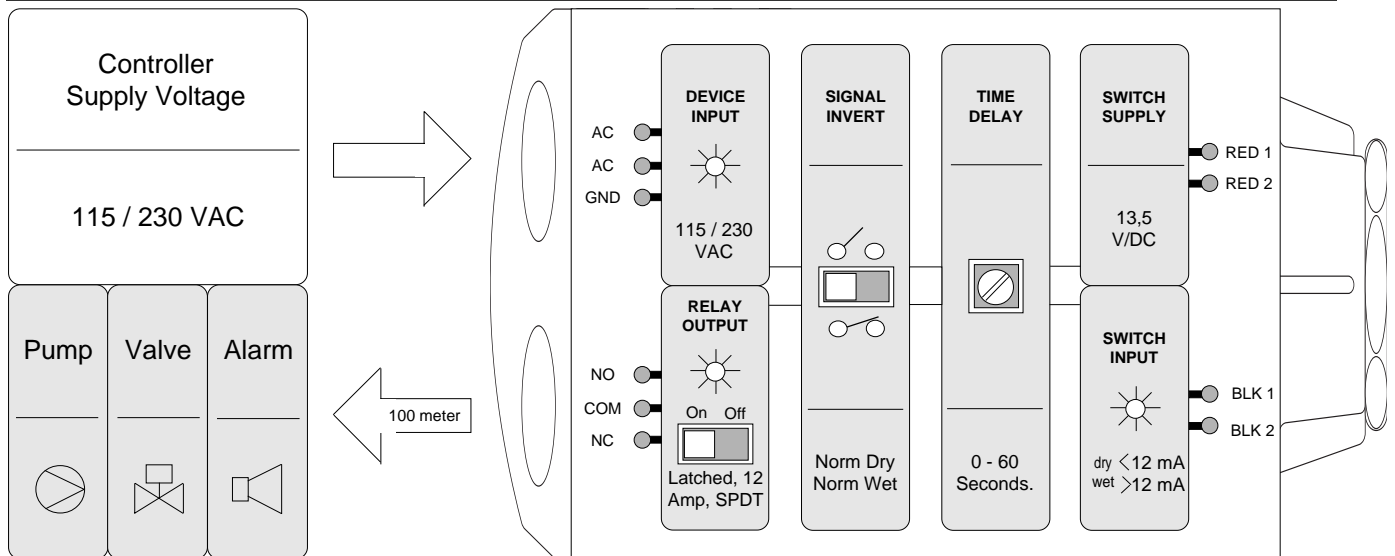
**DC Powered High or Low Level Switch**



**AC Powered High or Low Level Switch**



**AC Powered Automatic Fill or Empty**

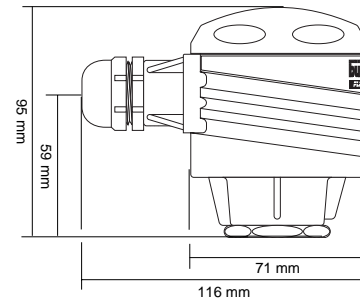


## Controller Technical Data

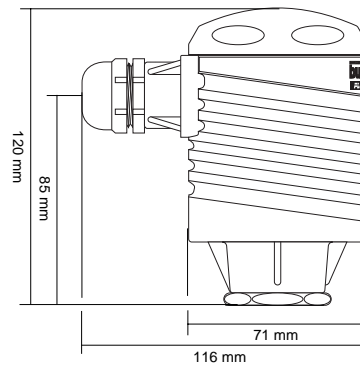
|                       |   |
|-----------------------|---|
| Voltage input         | D1 type: 14 - 36 VDC, A1 & A2 type: 230 / 115 VAC, 50 - 60 Hz       |
| Current consumption   | .25 amp maximum   |
| Switch supply voltage | 13.5 VDC nominal  |
| Relay type            | Isolated, SPDT ( form C )   |
| Switching voltage     | D1 type: 240 VAC / 150 VDC, A1 & A2 type: 380 VAC / 150 VDC maximum |
| Switching current     | D1 type: 6 amp, A1 & A2 type: 12 amp, maximum non-inductive loads   |
| Contact material      | Silver cadmium oxide  |
| Contact resistance    | 30 milli-ohms initially ( at maximum current and voltage ratings )  |
| Relay mode            | Switch selectable, normally open or normally closed states          |
| Relay time delay      | Adjustable from 0.15 - 60 seconds                                   |
| LED display           | Lights for power, liquid and relay output status                    |
| Temperature rating    | 70 degrees C. maximum   |
| Enclosure rating      | IP65 splash proof and chemical resistant design                     |
| Enclosure material    | PP flame retardant ( U.L. 94VO )                                    |
| Cable connection      | PG13 liquid-tight cable connector                                   |
| Mounting threads      | 3/4" BSP or 3/4" NPT  |

## Controller Dimensions

SL30-D1  
417020P  
Side View



SL30-A1  
SL30-A2  
417019J  
Side View



## Ordering-Chart (Other Versions on Request)

| Supply Voltage | Output | Input Terminals | Output Terminals | Specification | Order-No. |
|----------------|--------|-----------------|------------------|---------------|-----------|
| 14 - 36 V/DC   | 6 AMP  | 1               | 1                | SL30-D1M      | 417016 F  |
| 230 / 115 V/AC | 12 AMP | 1               | 1                | SL30-A1M      | 417017 G  |
| 230 / 115 V/AC | 12 AMP | 2               | 1                | SL30-A2M      | 417018 R  |

| IP65, PP-Junction BOXES    | Order-No. |
|----------------------------|-----------|
| Single switch junction box | 417020P   |
| Four switch junction box   | 417019J   |