

3/2 Way Valve, for general use, 40 mm



Advantages / Benefits

- ▶ Complete isolation of valve and fluid
- ▶ Maintenance-free
- ▶ Easy replacement of silicone tubes
- ▶ Compact design

Design

The direct-acting solenoid valve is a 3-way version.

The valve is completely isolated from the fluid.

The solenoid epoxy encapsulation efficiently dissipates the heat generated by the coil.

- body material black anodized aluminium

- silicone tube \varnothing 8/5 mm

- fast-acting

Applications

Shut-off, dosing, filling and venting

Neutral gases and liquids

Pneumatic control

Small devices, laboratory and measuring technology

Analytical devices

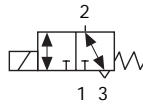
Medical instruments

burkert
Easy Fluid Control Systems

Technical Data

Circuit Function

T 3/2-way valve,
for general use



Body Material

Black anodized aluminium

Specifications

Tube Material	Tube Dimensions*	Pressure Range	Weight
	[mm]	[bar]	[kg]
Silicone ¹⁾	8 x 6	0-1	0.5

¹⁾ 55±5 shore A, E2 DIN 7715 tolerance
*other tube dimensions on request

All pressures quoted are gauge pressures with respect to the prevailing atmospheric pressure.

Operating Data (Valve)

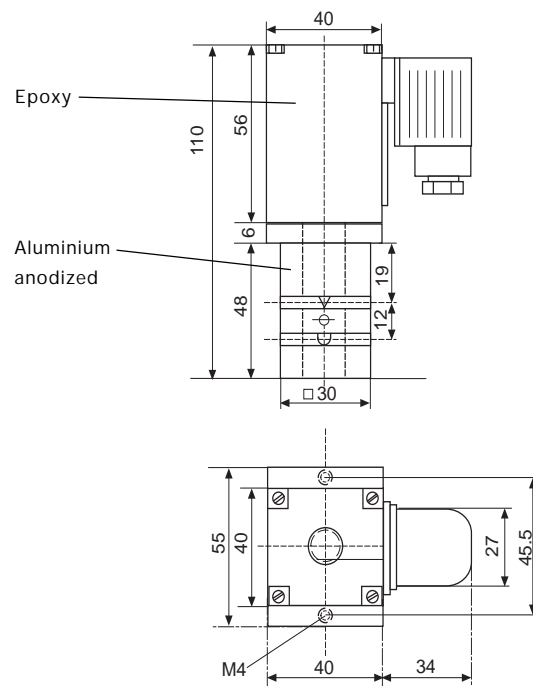
Seal Material / Fluids Handled/ Temp.-Range

Silicone neutral gases 0 to +90 °C
and liquids

Max. ambient temperature +55 °C

Response times 20-80 ms

Dimensions [mm]



Operating Data (Actuator)

Operating voltages 220V/50 HZ
(other voltages on request)

Voltage tolerance ±10 %

Power consumption 14 W

Duty cycle 100% continuously rated

Electrical connection cable plug, IP 65,
for 7 mm Ø, with integrated
rectifier

Ordering Data

Specification	Item-No.
CHSQ-T-08,0-SIL-ALU-220/50FGR000	CH07050

¹⁾ other voltages on request