

# Mini TOP – Control HEAD ON/OFF for Pneumatically Actuated Process Valves



8633

ø 50 up to 80 mm (Actuator)

- ✓ Easy LINK with intelligent Sensor Systems
- ✓ Easy NET 
- ✓ Compact Design
- ✓ Single and Double Acting
- ✓ Reduced Total Cost of Ownership

ON/OFF Control

Picture showing a complete Burkert ON/OFF System using Type 8633 Mini TOP

The Mini TOP combines valve control, pilot valves and position feedback in an extremely compact design.

Due to its modular design, the Mini TOP can easily be mounted onto a wide variety of process valves. Both single & double acting pneumatic actuators are possible, position feedback can be either using mechanical or inductive limit switches.

The all-in-one design reduces installation and commissioning costs to a minimum. Its standardized connections to valve actuators, intelligent sensors & process network interfaces make the Mini TOP a part of Burkert's Easy Process Control System.

## Technical Data

Materials		
Body	PPE/PA (NORYL)	
Cover	PSU	
Seals	NBR, EPDM	
Operating voltage	24V/DC	
	24V/UC	
	110V/UC	
	230V/UC	
Voltage tolerance	±10%	
Power consumption		
Single acting	24V	2W
Single acting	110V and 230V	3W
Double acting	24V	4W
Double acting	110V and 230V	6W
Position feedback		
24V/DC version	Inductive limit switch (NO, PNP)	
	(±10% residual ripple)	
	Mech. limit switch (NO, NC),	
	silver contacts, max. load 5 A	
	PG cable glands	
	IP65	
	On request	
24, 110 and 230V/UC		
Electrical connections		
Rating		
AS-I bus version		

## Pneumatic Data

Port connections	G 1/8
	Rc 1/8 (on request)
	NPT 1/8 (on request)
Pressure range	2 up to 10 bar*
Flow QNn	40 NI/min pilot valve
Temperatures	
Medium	0 up to +55°C
Ambient	0 up to +55°C
Medium	Instrument air (filtered, non-lubricated)

### Flow rate: QNn-value air [l/min]

Measured at +20°C, 6 bar pressure at valve inlet, 1 bar pressure difference.

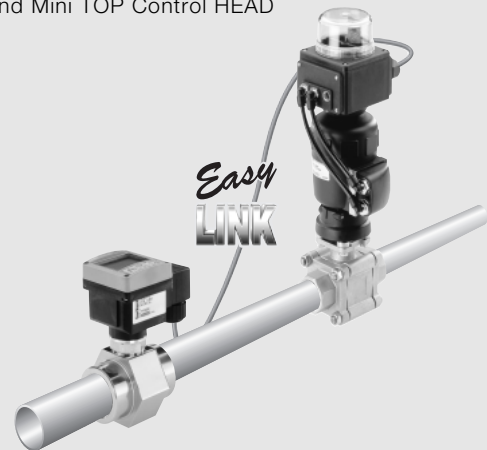
### Pressure ranges (bar)

Measured as overpressure to the atmospheric pressure

\*) Applied supply pressure must be 0.5 to 1 bar above the pilot pressure of the valve actuator.

## Application Example:

Easy ON/OFF Control using pressure switch, quarter-turn valve and Mini TOP Control HEAD



# Mini TOP – Control HEAD ON/OFF for Pneumatically Actuated Process Valves

## Specifications - Ordering Chart (Other Versions on Request) for Type 8633

Control Function	Power Supply	AS-I bus	Position Feedback	Electrical Connection	Item-No.
Single acting	24 V DC	YES	2 inductive switches	PG cable glands	on request
	24 V DC	YES	2 inductive switches	Multipole	on request
	24 V DC	-	2 inductive switches	PG cable glands	148 123 Z
	24 V UC	-	2 mechanical switches	PG cable glands	148 124 S
	110 V UC	-	2 mechanical switches	PG cable glands	148 125 T
	230 V UC	-	2 mechanical switches	PG cable glands	148 126 U
Double acting	24 V DC	YES	2 inductive switches	PG cable glands	on request
	24 V DC	YES	2 inductive switches	Multipole	on request
	24 V DC	-	2 inductive switches	PG cable glands	148 129 F
	24 V UC	-	2 mechanical switches	PG cable glands	148 130 C
	110 V UC	-	2 mechanical switches	PG cable glands	148 131 Z
	230 V UC	-	2 mechanical switches	PG cable glands	148 132 S

## Mounting Kits for Type 8633

Description	Valve Type	Item-No.
Single acting - 50 mm	200X / 2012	653 329 R
Single acting - 50 mm	203X	653 333 D
Single acting - 63 mm	any	653 330 N
Single acting - 80 mm	any	653 331 B
Double acting - 50 mm	200X / 2012	650 876 P
Double acting - 50 mm	203X	653 332 C
Double acting - 63 mm	any	650 877 Q
Double acting - 80 mm	any	650 878 Z

## Mini TOP ON/OFF Control Systems

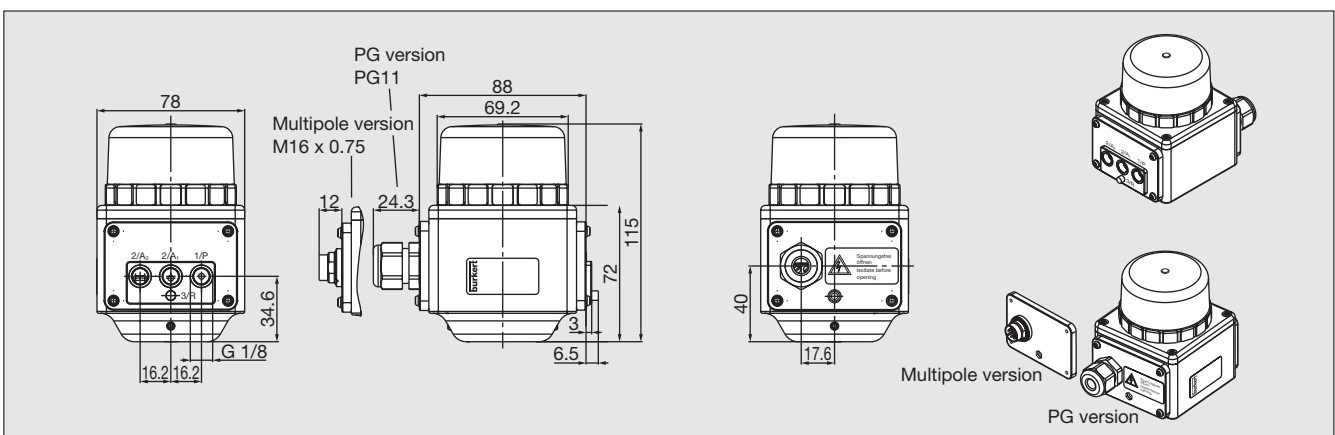
A Mini TOP System consists of a process valve and a Mini TOP controller. Burkert offers a wide range of process valves suitable for the Mini TOP, including type 2000, 2001, 2002, 2012, 2030, 2031, 2652, 2655 and 2658.

### Example for Variations of Mini TOP ON/OFF Systems

Mini TOP + Process Valve = Complete Mini TOP ON/OFF Systems

8633 Mini TOP ON/OFF	Process Valve with required process connection	8633 + 2000 Angle Seat Valve Mini TOP System	8633 + 2012 Globe Valve Mini TOP System	8633 + 2030/31 Diaphragm Valve Mini TOP System	8633 + 2655 Ball Valve Mini TOP System
----------------------------	---	--	---	--	--

## Dimensions [mm]



In case of special application requirements, please consult for advice.

We reserve the right to make technical changes without notice.  
012-GB/ 1-0225