

# TOP Control ON/OFF HEAD for Pneumatically Actuated Process Valves



8631 EExi

## Intrinsically Safe Control Head

- ✓ **PTB EEx ia IIC T6 approved according to ATEX**
- ✓ **FM IS / I, II, III / ABCDEFG approved**
- ✓ **Compact Design**
- ✓ **Reduced Total Cost of Ownership**

Hazardous Areas

8631 EExi

Picture showing a complete Burkert ON/OFF System using Type 8631 TOP Control EExi

The TOP Control EExi combines pilot valve and position feedback in a compact design for use in hazardous areas.

Due to its modular design, the TOP Control EExi can easily be mounted onto a wide variety of process valves.

The compact design reduces installation and commissioning costs to a minimum.

### Technical Data

#### Materials

Body	PPE/PA (NORYL®)
Cover	PSU
Seals	NBR, EPDM

#### Nominal voltage

24V/DC  
(for further information also consult our data sheet „Recommended Barriers“)

#### Power consumption

Single acting 24V / 2W

#### Position feedback

24V/DC version Inductive limit switch (NO, PNP)

(±10% residual ripple)

#### Electrical connections

PG cable glands

#### Rating

IP65

### Pneumatic Data

#### Port connections

G 1/4  
Rc 1/4 (on request)  
NPT 1/4 (on request)  
3 up to 7 bar\*  
100 NI/min pilot valve

#### Pressure range

#### Flow QNn

#### Temperatures

Medium 0 up to +50°C

Ambient 0 up to +50°C

#### Medium

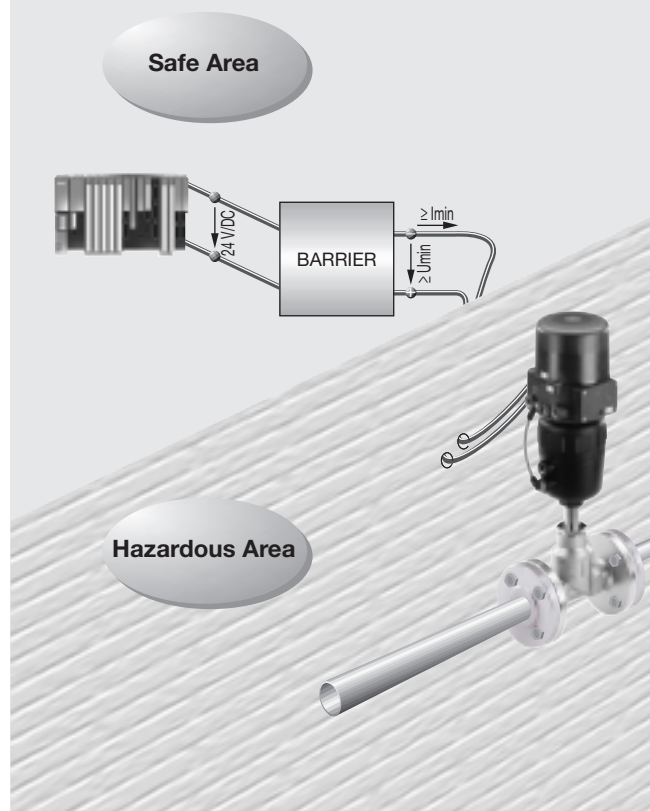
Instrument air  
(Class 3, DIN ISO 8573-1)

**Flow rate: QNn-value air [l/min]**  
Measured at +20°C, 6 bar pressure at valve inlet, 1 bar pressure difference.

**Pressure ranges (bar)**  
Measured as overpressure to the atmospheric pressure

\*) Applied supply pressure must be 0.5 to 1 bar above the pilot pressure of the valve actuator.

- Applications:**
- Chemical industry
  - Pharmaceutical processing equipment
  - Industrial waste water treatment
  - Oil and gas industry



# TOP Control ON/OFF HEAD for Pneumatically Actuated Process Valves



## Specifications - Ordering Chart (Other Versions on Request) for Type 8631 EExi

Control Function	Power Supply	Position Feedback	Electrical Connection	Item-No.
Single acting	24 V/DC	Inductive	PG cable glands	147 958 D

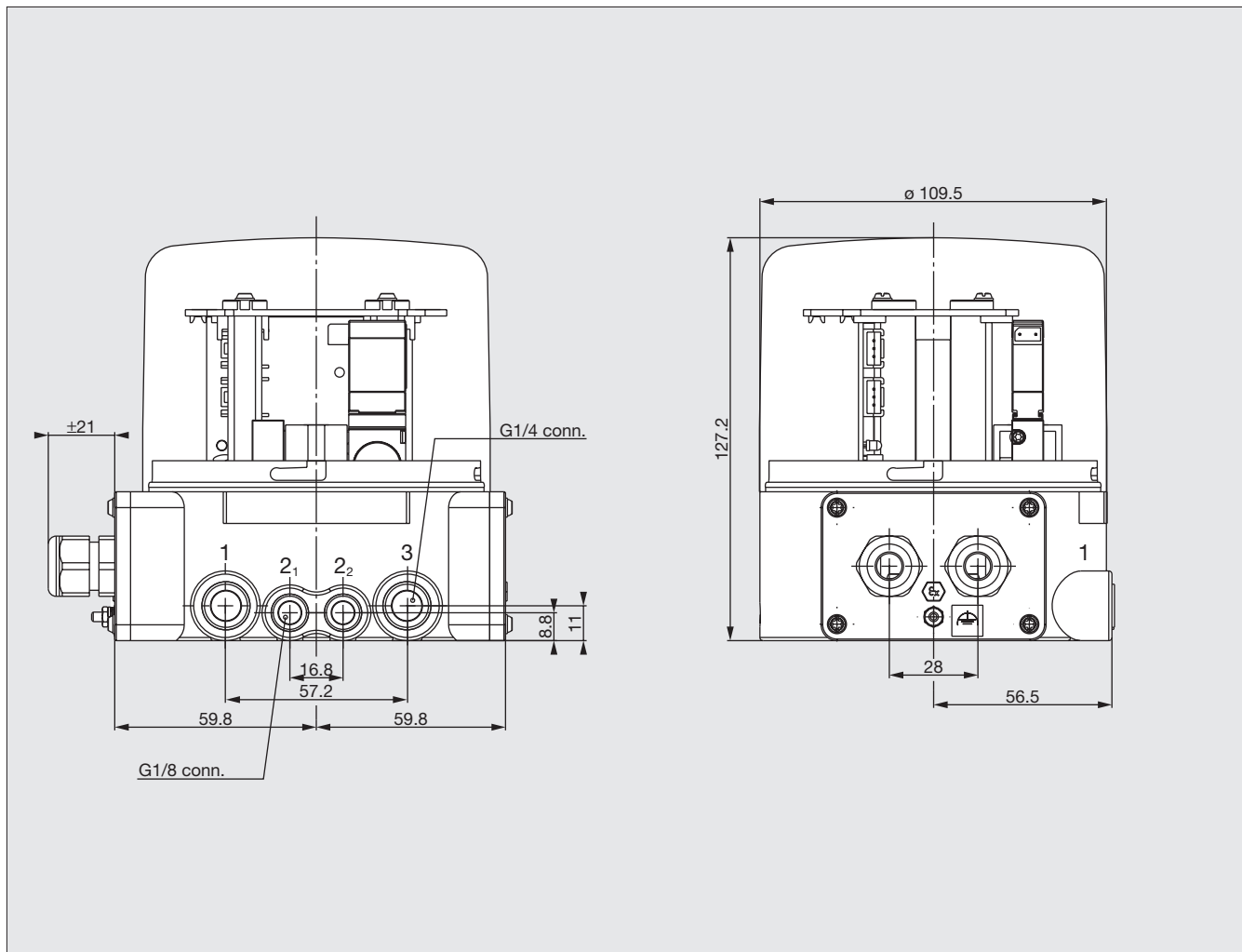
## TOP Control EExi Systems

A TOP Control System consists of a process valve and a TOP controller. Burkert offers a wide range of process valves suitable for the TOP Control, including type 2000, 2001, 2002, 2012, 2030, 2031, 2652, 2655 and 2658.

### Example for Variations of TOP Control ON/OFF Systems

	+		=	<b>Complete TOP Control ON/OFF Systems</b>			
<b>TOP Control</b>		<b>Process Valve</b>					
8631 EExi TOP Control EExi		Process Valve		8631 EExi + 2000 TOP Control Angle Seat Valve System	8631 EExi + 2012 TOP Control Globe Valve System	8631 EExi + 2030/31 TOP Control Diaphragm Valve System	8631 EExi + 2655 TOP Control Ball Valve System

## Dimensions [mm]



In case of special application requirements, please consult for advice.

We reserve the right to make technical changes without notice.  
203-GB/ 1-0264