

PI-Controller; PA-plug housing acc. to DIN 43650 A; 24 VDC



Advantages / Benefits

- ▶ Ready-to-use automation module
- ▶ 80% less planning and installation costs
- ▶ On-the-spot easy installation, configuration and operation
- ▶ Fixed and variable set-points
- ▶ Controller fully functional without removable control-unit
- ▶ **CE** conform

Design/Function

The electronic PI-controller is integrated in a polyamid plug housing acc. to DIN 43 650 A to be plugged directly on a continuous control valve (i.e. Burkert types 6022, 6023, 6223).

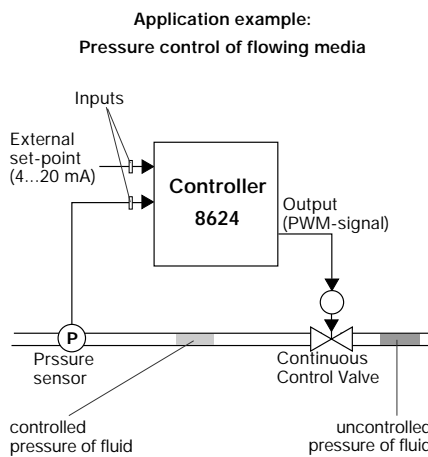
It comprises two basic elements: the microprocessor controlled self-supporting and programmable controller and the removable control unit type 1077-6, which can be utilized for more than one controller.

The controller can be used to control pressure of flowing gases and liquids.

A standard signal 4...20 mA input for a pressure transmitter (i.e. Burkert pressure transmitter type 8323) is available to be compared with a process set-point, which can be preset internally through push buttons or externally through a standard signal.

The removable control-unit has a display and two push buttons for:

- non-inverted and inverted control-unit direction
- setting the control parameters
- configuring the set-point
- monitoring the control values



Basic demand: Pressure of fluid > controlled pressure

Applications

- Pressure control to hold constant pressure in flowing media
- Control of flowing gas in gas burners
- Pressure control in compressed air equipment
- Pressure control of flowing gases in medical equipment
- Inert gas treatment for surface treatment and donation facilities
- CO<sub>2</sub>-control in food industry
- Pressure control in production and distribution of chemical processing plants
- Water treatment in industry and public circulations

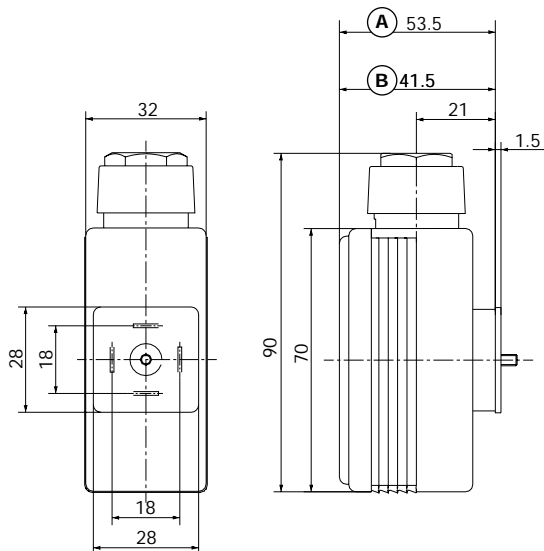


## Technical Data

Operating voltage:	24 V/DC	LCD-display of control-unit 1077-6:	4 1/2 - digit 7-segment display
Power consumption:	max. 1.5 W	Outputs	
Inputs		Output signal:	electr. PWM-signal (pulse-width-modulation) max. 1.0 A
Sensor input:	Standard signal 4 ... 20 mA	Output current:	Integrated plug-in module acc. to DIN 43 650 A 2-pole with ground in 4 x 90 steps
External set-point:	Standard signal 4 ... 20 mA	Electr. connection:	
Electric connection:	In unit: 7 pole terminal + PE Cable $\varnothing$ 6-7 mm Wire cross-section max. 0.5 mm <sup>2</sup> PG9 fitting	Additional output:	24 VDC for separate power supply of sensors
Programming:	- Non-inverted and inverted control direction - Setting of control parameter - Configuration of set-point - Monitoring of process values	Rating (plugged-in):	IP 65
(with control-unit type 1077-6 <sup>1)</sup> )		Operating temperature:	-10 °C ... +60 °C
		Housing material:	Polyamide (PA)
		Mounting:	M3x45 mm cheesehead screw
		Installation:	as required
		Weight:	approx. 50 g

<sup>1)</sup> The control-unit type 1077-6 is not included in the delivery of type 8624 compact pressure controller

## Dimensions [mm]



**A** Dimension with plugged-in control unit  
(not included in delivery of type 8624)

**B** Dimension with protection cover (included in delivery),  
without control-unit

### Remark:

When screwing the pressure controller to the valve, ensure that the seal is properly seated.

## Ordering Chart

Type	Item-No.
Pressure Controller 8624	134 073 L
Pressure Control-Unit 1077-6	134 053 Q

