



Advantages / Benefits

- ▶ Easy System integration by Easy LINK provides low cost of ownership
- ▶ Compact version with integrated conductivity electrodes
- ▶ Remote version with separated transmitter for short (<5 m) or long (<500 m) distances
- ▶ Easy commissioning due to multi language, menu-guided operation
- ▶ Individual adjustment of all measuring ranges
- ▶ For use in both pipes and tanks installed in custom fittings and submersion kits

Design

Conductivity-transmitter type 8225 compact

The conductivity transmitter compactly combines a conductivity-sensor and a transmitter with display in splash-proof plastic IP 65 enclosure.

The sensor component consists of replaceable sensors. Sensors with cell constants 0.01 and 0.1 are fitted with stainless steel electrodes, and those with cell constants 1.0 and 10 are fitted with graphite electrodes.

The Pt1000 for automatic temperature compensation is a standard feature in the sensor housing.

The transducer component converts the measured signal and displays the actual value.

Compact version for insertion fitting types S020 and 1500 / 1501

Conductivity-transmitter type 8225 separate

The conductivity-transmission system combines a conductivity sensor type 8220 and a separate transmitter type 8225 with display.

The 8225 separate transmitter is available in panel mounted version and in a wall mounted plastic IP65 enclosure for connection to the conductivity sensor type 8220.

Conductivity-sensor type 8220

Four conductivity sensors with different cell constants offers large capabilities of conductivity measurement.

The Pt1000 for automatic temperature compensation is integrated in the sensor housing.

Two different versions for short or long distances between sensor and transmitter are available. The short version sensor up to 5 metres transmits directly an analog signal.

The long version sensor converts the measured signal into a digital signal on the sensor for passing to the transmitter up to a distance of 500 metres.

Remote indication with separated transmitter device for wall or panel mounting connected with conductivity-sensor 8220 for fitting types S020 and 1500 / 1501.

Application

Conductivity measurements

Waste engineering

Water treatment and process technology

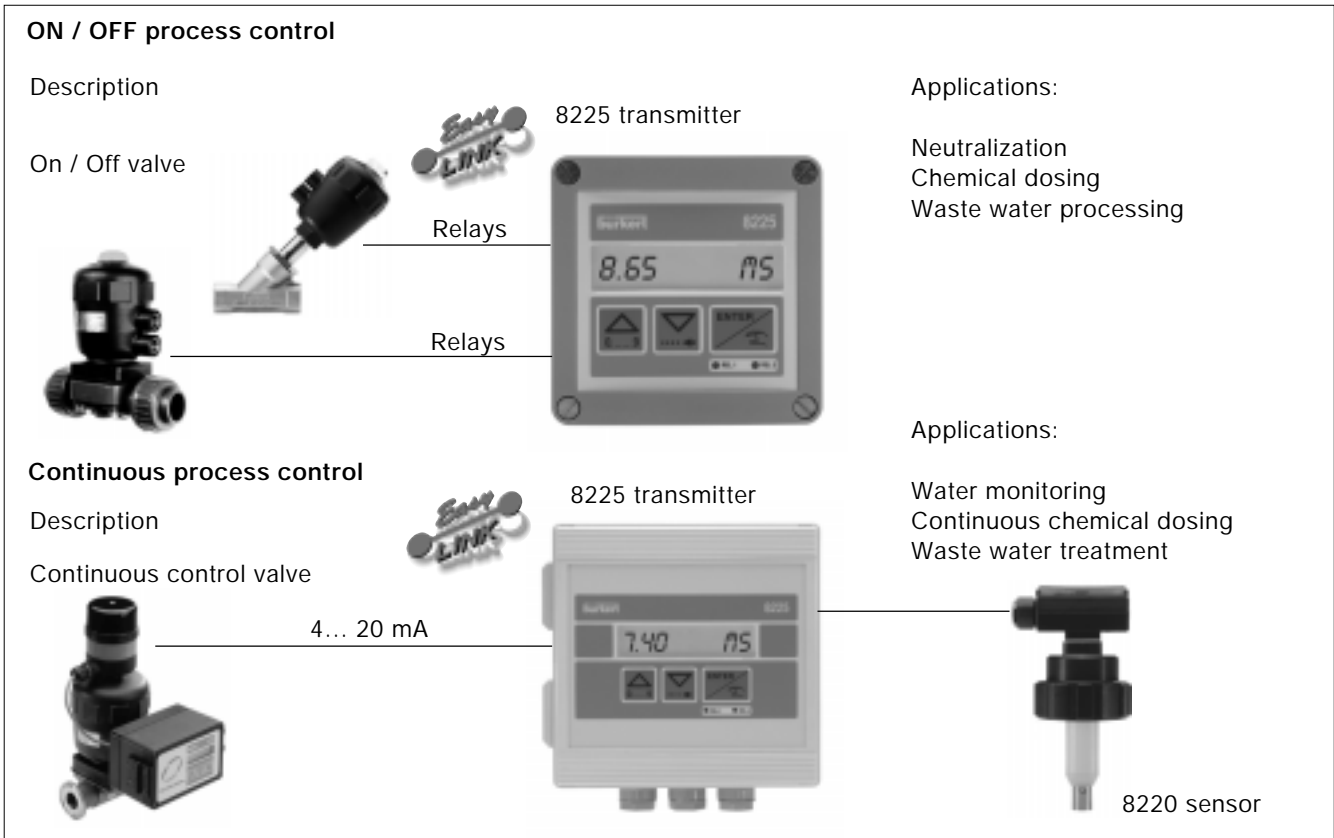
Cooling water monitoring

Chemical dosing

Electroplating



The Easy Conductivity - Control System



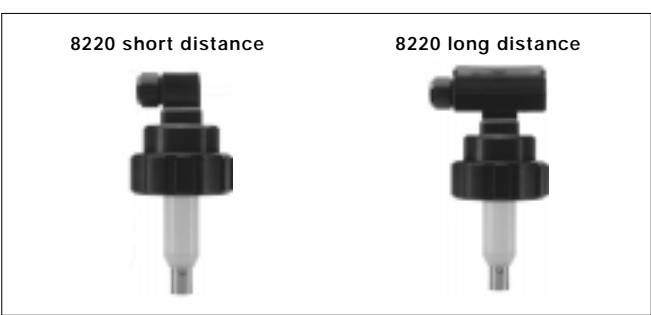
Design

The conductivity measuring system is available as a compact version 8225 and as a separate version combining a sensor type 8220 and the separate transmitter type 8225 with display. The conductivity transmitter uses different cell constants. Sensors with cell constants 0.01 and 0.1 are fitted with stainless steel electrodes and those with cell constants 1.0 and 10 are fitted with graphite electrodes. The Pt1000 for automatic temperature compensation is a standard feature in the conductivity sensor housing.

The 8225 separate transmitter is available in panel mounted version and in a wall mounted plastic IP65 enclosure for both short and long distance connection to the sensor 8220.

The 8225 conductivity transmitter output signal is a standard 4 – 20 mA signal. Optional with two freely adjustable relay outputs.

The 8220 conductivity sensor is available in short distance (5 m) or long distance feature (<500 m). The 8220 sensors short distance is provided with a 4 pin connector. The analog output signal can be transmitted up to 5 meters via a 4 x 1.5 mm² shielded cable. The 8220 sensor long distance is provided with a signal converter type 8221. The 8221 signal converter converts the measured signal of the sensor into a digital signal. This signal can be transmitted up to 500 m via a shielded 4-wire transmission line.



Principle of Operation

The conductivity is defined as the ability of a solution to conduct electrical current. The load carriers are ions (e.g. dissolved salts or acids). In order to measure conductivity, two electrodes are used at a fixed distance apart and with a specific surface. A voltage source is connected to the electrodes. The measured current is a direct function of the conductivity of the solution.

The transmitter without relay or with 2 additional relay functions in a 3-wire circuit. Limit values are freely adjustable.



Installation

The compact conductivity transmitter can easily be installed into any Bürkert insertion fitting system (S020 or 1500 / 1501) by just fixing the main nut.

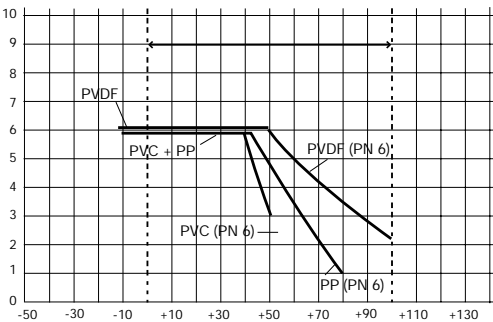
The separated version requires a separate conductivity transmitter type 8225 with display. The transmitter 8225 is available in panel mounted version or in a wall mounted plastic IP65 enclosure. The conductivity sensor 8220 is connected for a short distance (<5 m) directly via cable plug connector or for long distance (<500 m) via the digital converter 8221 to the separate transmitter 8225.

The sensor 8220 can be easily installed into pipes using our specially designed fitting system (S020 or 1500 / 1501) by just fixing the main nut.



Pressure-Temperature-Diagramm

Mind pressure-temperature dependence according to the respective fitting material.



Industrial immersion fitting

Allows installation into tanks and containers. The following standard lengths are available: 500, 1000, 1500, 2000 mm. Special lengths on request.



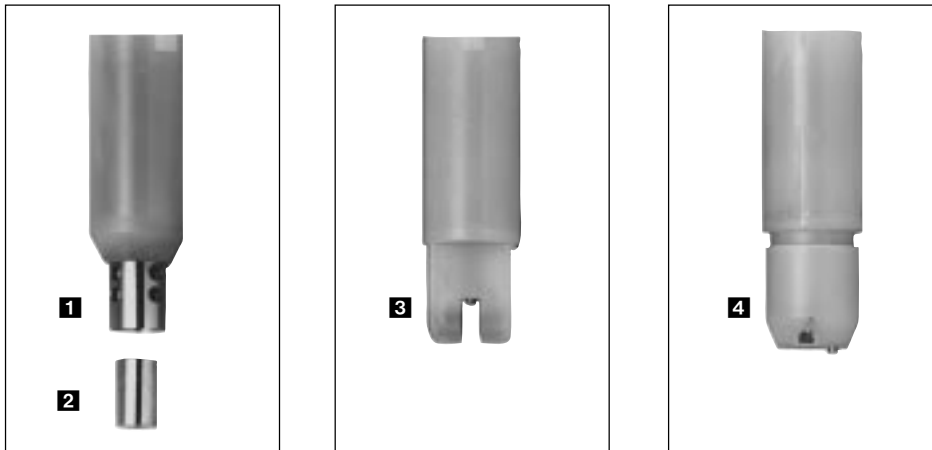
Operation / Commissioning

Customized adjustments, such as measuring ranges, engineering units and alarm setpoints can be carried out menu-supported on site via a multi-lingual display. Please consider the respective operating instructions prior to commissioning the devices.



Electrode Types and Measuring Ranges

Different electrode designs are required based on selected cell constant.

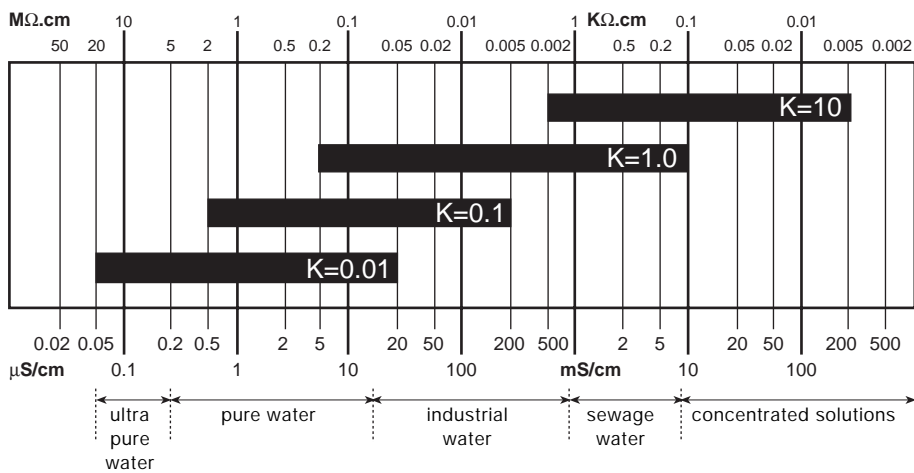


1 K = 0.1 and
2 K = 0,01

3 K = 1.0

4 K = 10

The conductivity transmitter can be connected to 4 different sensors with cell constants 0.01, 0.1, 1.0 and 10. Select the conductivity sensor according to the measuring range and using the table below:



Operation and display

The operation of the conductivity transmitter is classified in the following 3 different menus:

Main Menu

- conductivity
- temperature
- output current
- HOLD function

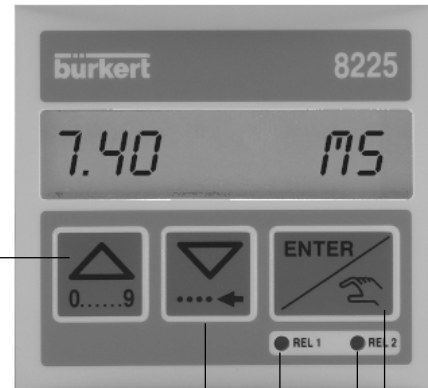
Calibration Menu

- language
- engineering units
- cell constant
- temperature compensation
- measuring range 4... 20 mA
- relay function
- filter selection

Test Menu

- offset
- span
- conductivity non compensation
- simulation of conductivity

Display selection and increasing key (numeric values) impulses or automatic.



Direction downwards in menu or sideways for digit selection

Relay 1: contact closed
Relay 2: contact closed

Acceptance of chosen parameter or adjusted value

Technical Data

General Data

Pipe diameter	Stainless Steel: DN 32 to DN 50 (1 1/4" to 2"); fitting type S020 DN 65 to 100 weld-in; weld-o-let fitting type 1500 Brass: DN 32 to DN 50; fitting type S020 PVC, PP, PVDF: DN 15 to DN 50; fitting type S020 (true union ISO) DN 32 to DN 50; fitting type S020 (all other versions) DN 65 to DN 100 PE/PP/PVDF-weld-o-let fitting type 1501
Measuring range	0.05 µS/cm ... 200 mS/cm, depending on cell constant
Measuring error	typical: 3% of measured value max.: 5% of measured value
Temperature compensation	automatic with standardized integrated Pt1000 with reference temperature 25 °C (77 °F)
Ambient temperature	0 to 60 °C (32 °F to 140 °F)
Storage temperature	0 to 60 °C (32 °F to 140 °F)

Compact version

Pressure class	PN 6
Enclosure	IP 65 (NEMA 4). Relative humidity max. 80%
Electronic housing	PC
Sensor housing	PVDF; O-rings FPM / EPDM
Voltage supply	12-30 VDC
Consumption	80 mA (with relays), 20 mA (without relays)
Display	15 x 60 mm LCD 8 digits, alphanumeric 15 segments, 9 mm high
Analog output signal	4... 20 mA programable, proportional to the conductivity
Load	<700 Ω at 30 V; <400 Ω at 24 V; <100 Ω at 15 V
Relay output (optional)	2 relays, 3 A / 230 V; freely adjustable
Measuring electrodes	K = 0.01 stainless steel electrodes K = 0.1 stainless steel electrodes K = 1.0 graphite electrodes K = 10 graphite electrodes

Separate transmitter version

Enclosure	Wall mounted version IP65 (NEMA4). Rel. humidity max. 80%; ABS Panel version IP 20 (rear plate); IP 65 (front plate); PC
Voltage supply	12- 30 VDC; (115/230 VAC option wall mounted version)
Consumption	80 mA (with relays), 20 mA (without relays)
Display	15 x 60 mm LCD 8 digits, alphanumeric 15 segments; 9 mm high
Analog output signal	4... 20 mA programable, proportional to the conductivity
Load	short distance long distance <700 Ω <1100 Ω at 30 V <400 Ω <910 Ω at 24 V <100 Ω <470 Ω at 15 V
Relay output	2 relays 3 A / 230 V; freely adjustable

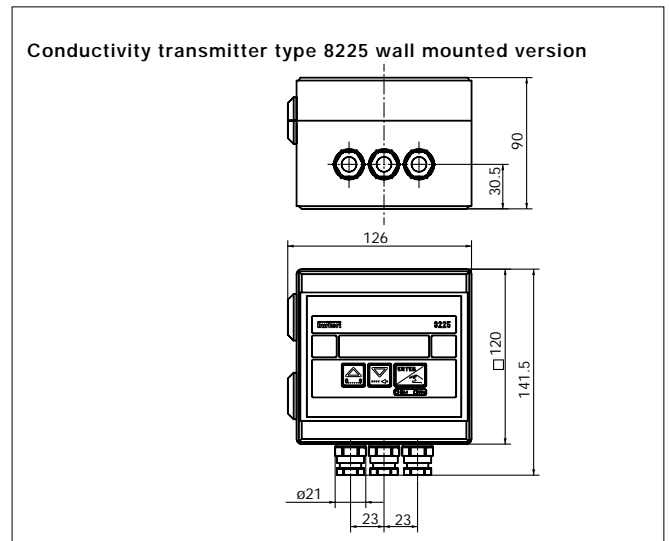
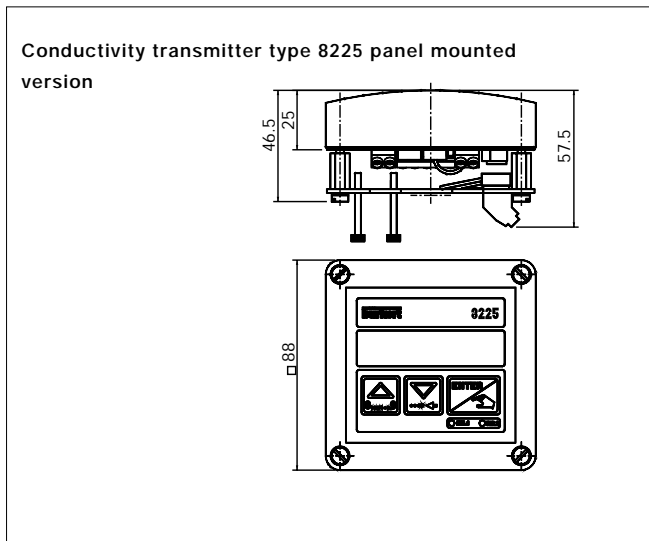
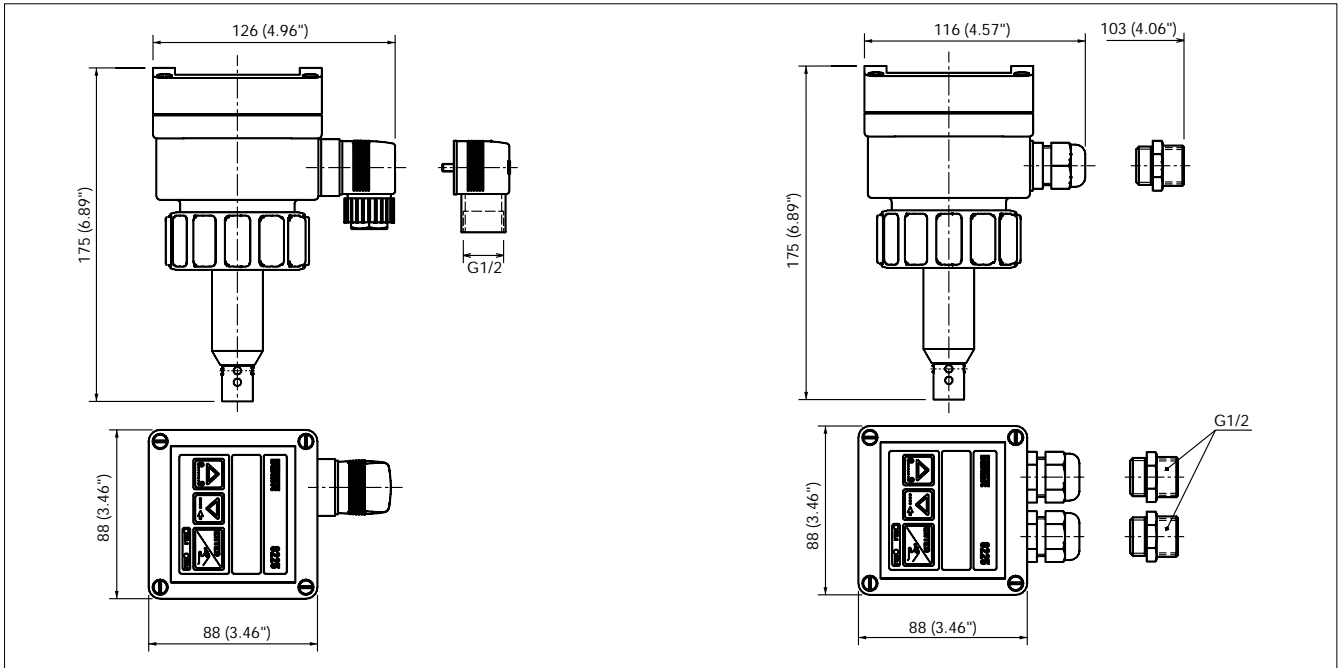
Separate conductivity sensor type 8220

Pressure class	PN 6
Enclosure	IP 65
Sensor housing	PVDF
Electronic housing	PA
O-ring	FPM / EPDM
Temperature compensation	automatic with standardized integrated Pt1000 with reference temperature 25 °C (77 °F)
Measuring electrodes	K = 0.01 stainless steel electrodes K = 0.1 stainless steel electrodes K = 1.0 graphite electrodes K = 10 graphite electrodes

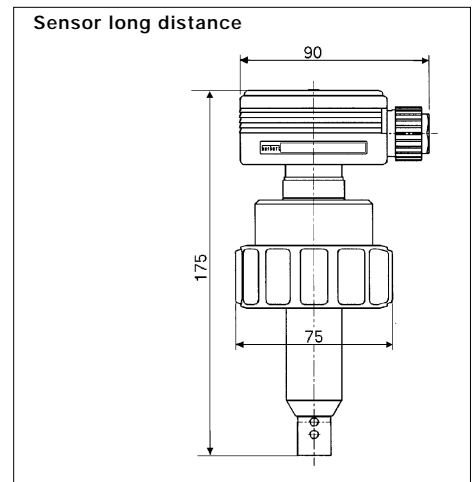
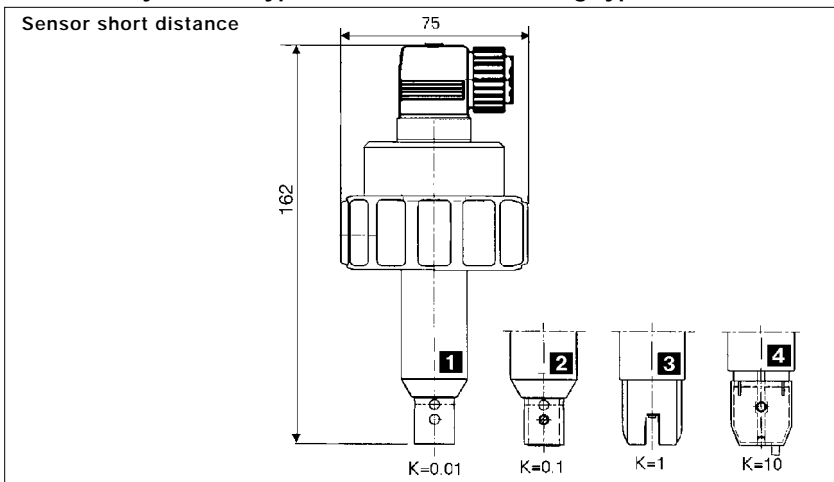
Signal cable length between 8220 sensor and 8225 transmitter	Short distance max. 5 m Long distance max. 500 m
--	---

Dimensions [mm (inch)]

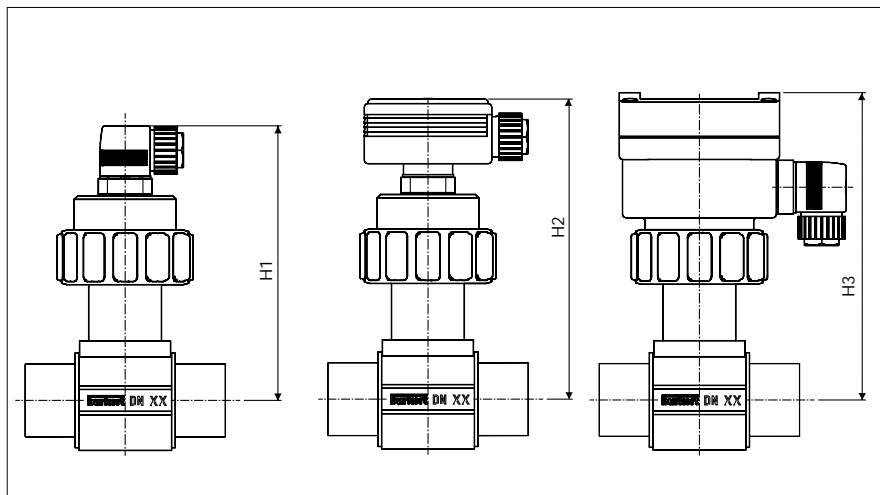
Conductivity transmitter type 8225 compact and separate version



Conductivity-sensor type 8200 for Burkert fitting type S020; 1500; 1501



Dimensions [mm] - Fittings S020, DN 15 - 50 for transmitter 8225 or sensor 8220

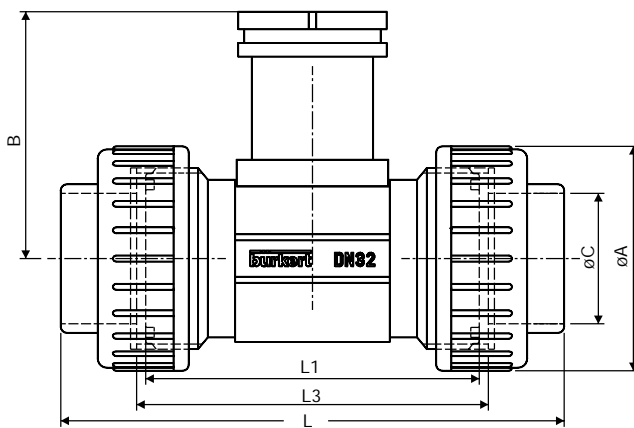


Variable Dimensions [mm]

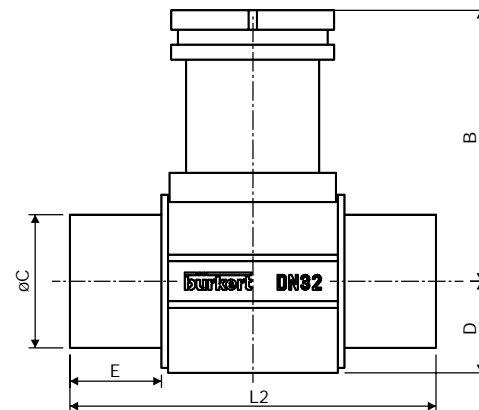
DN	H 1	H 2	H 3
15	163	177	177
20	163	177	177
25	163	177	177
32	163	177	177
40	164	178	178
50	170	184	184

Applicable for all fitting materials
DN 15 ...50 sizes and process
connections.

True union - PVC, PP, PVDF



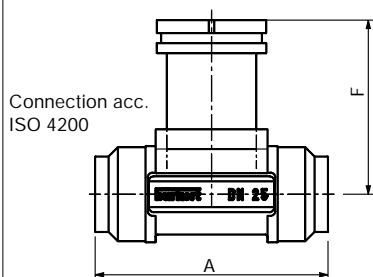
Solvent spigot - PVC, PP, PVDF



True union										Solvent spigot					
B	øA	L			øC			L1	L3	DN	D	L2		E	
		DIN	ANSI	JIS	(DIN)	(ANSI)*	(JIS)*					PVC	PP/PVDF	PVC	PP/PVDF
81.4	74	148	---	---	20	---	---	110	116	15	---	---	---	---	---
81.4	74	154	---	---	25	---	---	110	116	20	---	---	---	---	---
81.4	74	160	---	---	32	---	---	110	116	25	---	---	---	---	---
81.4	74	168	170.0	169	40	42.2	38.60	110	116	32	27.5	110	100	27.5	20
85.2	83	188	190.2	190	50	48.3	48.70	120	127	40	31.5	120	106	30.0	23
91.5	103	212	213.6	213	63	60.3	60.80	130	136	50	39.5	130	110	37.0	27

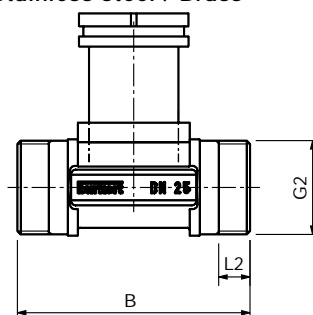
* only for PVC with true union

Weld ends - Stainless steel



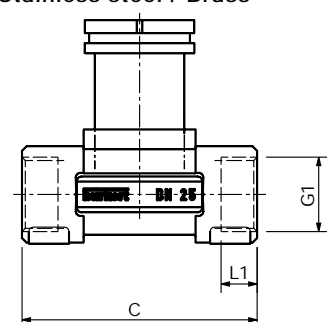
Material Stainless steel:
DIN 1.4404; BS 316L

Male threaded port -
Stainless steel / Brass



Material Stainless steel:
DIN 1.4404; BS 316L

Female threaded port
Stainless steel / Brass -



Material Stainless steel:
DIN 1.4404; BS 316L

Dimensions [mm] - Fittings S020, DN 15 - 50

Flange - Stainless steel

Material:
DIN 1.4404; B.S. 316 L

Tri-Clamp

Material:
DIN 1.4404; B.S. 316 L

Variable dimensions [mm] for Weld ends, Male threaded port, Female threaded port, Flange, Tri-Clamp

DN	Weld ends		Length dimensions						Thread				Tri-Clamp H	Flange dimensions						
	ø out-side	Wall-thickness	A	B	C	D	E (DIN) (ANSI)	E (JIS)	F	G1	L1	G2		L2	Norm*	I	J	K	M	N
32	42.4	2.0	119	119	120	180	180	178	81.6	G 11/4	23.5	G 1/2	18.0	DIN	31.0	4x18.0	100.0	140	78.0	
										NPT 11/4	21.0				ANSI	31.0	4x15.8	88.9	117	63.5
										Rc	21.0				JIS	31.0	4x19.0	100.0	135	76.0
40	48.3	2.0	129	129	130	200	200	190	85.4	G 11/2	23.5	M55x2	19.0	DIN	36.0	4x18.0	110.0	150	88.0	
										NPT 11/2	20.0				ANSI	36.0	4x15.8	98.4	127	73.0
										Rc 11/2	19.0				JIS	36.0	4x19.0	105.0	140	81.0
50	60.3	2.6	149	149	150	230	230	216	91.5	G 2	27.5	M64x2	20.0	DIN	41.0	4x18.0	125.0	165	102.0	
										NPT 2	24.0				ANSI	41.0	4x19.0	120.6	152	92.1
										Rc 2	24.0				JIS	41.0	4x19.0	120.0	155	96.0

* Flange: DIN 2501/2633, length according to DIN 3201-F1;
ANSI B16-5-1988, length according to DIN 3201-F1
JIS 10K, length according to ANSI B16-10

Dimensions [mm] - Fittings DN 65 - 100

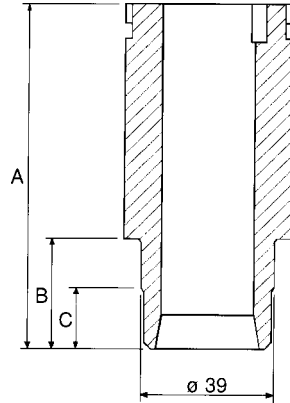
Weld-o-let fittings with radius - Stainless steel

Material: 1.4404 (DIN), 316L (B.S.)

DN	A	R
65	54.52	36.65
80	53.07	44.45
100	50.71	57.15

Dimensions [mm] - Fittings DN 65 - 100

Weld-o-let fittings - PE, PP, PVDF

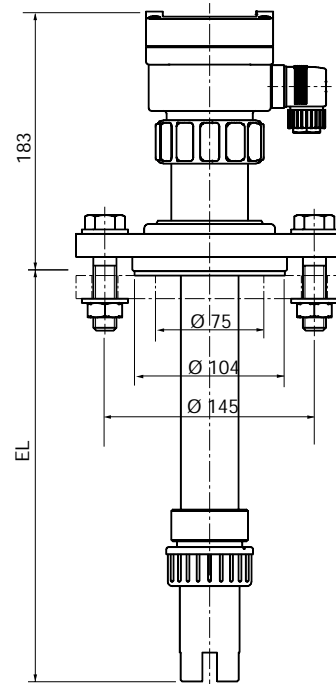
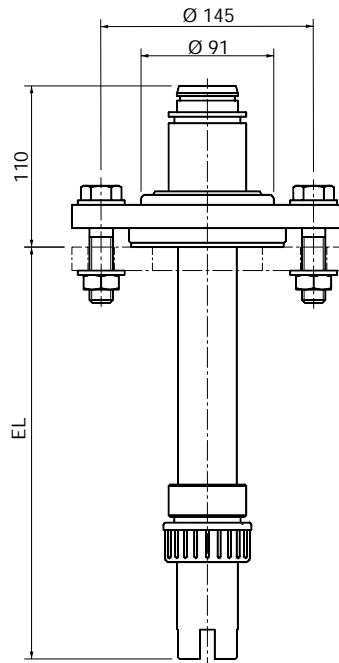


Variable Dimensions [mm]

DN	A	PE		PP		PVDF	
		B	C	B	C	B	C
65-100	72.5	13	---	13	---	10.4	---

Immersion fitting

Lengths L: 500, 1000, 1500, 2000



Ordering Data for Conductivity Transmitter 8225

A compact version of conductivity transmitter type 8225 consists of two basic units as follows:

- Fitting type S020 (DN15 to DN50) or 1500/1501 (DN65 to DN100)
- Compact conductivity transmitter 8225

TYPE DESCRIPTION	Electrode	Gasket	Voltage	Worldwide Standard I T E M - N o. 1 x PG 13.5	North America Standard I T E M - N o. Conduit plug G 1/2"
Conductivity Transmitter compact 4-20 mA output; without relay					
Compact Transmitter 8225	C = 0.01	FPM	12 – 30 VDC	418 962 Z	418 974 V
Compact Transmitter 8225	C = 0.1	FPM	12 – 30 VDC	418 963 S	418 975 W
Compact Transmitter 8225	C = 1.0	FPM	12 – 30 VDC	418 964 T	418 976 X
Compact Transmitter 8225	C = 10	FPM	12 – 30 VDC	418 965 U	418 977 Y
Compact Transmitter 8225	C = 0.01	EPDM	12 – 30 VDC	418 966 V	418 982 N
Compact Transmitter 8225	C = 0.1	EPDM	12 – 30 VDC	418 967 W	418 983 P
Compact Transmitter 8225	C = 1.0	EPDM	12 – 30 VDC	418 968 F	418 984 Q
Compact Transmitter 8225	C = 10	EPDM	12 – 30 VDC	418 969 G	418 985 R
Conductivity Transmitter compact 4-20 mA output; without relay				Cable Plug DIN	
Compact Transmitter 8225	C = 0.01	FPM	12 – 30 VDC	418 950 H	
Compact Transmitter 8225	C = 0.1	FPM	12 – 30 VDC	418 951 W	
Compact Transmitter 8225	C = 1.0	FPM	12 – 30 VDC	418 952 X	
Compact Transmitter 8225	C = 10	FPM	12 – 30 VDC	418 953 Y	
Compact Transmitter 8225	C = 0.01	EPDM	12 – 30 VDC	418 958 D	
Compact Transmitter 8225	C = 0.1	EPDM	12 – 30 VDC	418 959 E	
Compact Transmitter 8225	C = 1.0	EPDM	12 – 30 VDC	418 960 B	
Compact Transmitter 8225	C = 10	EPDM	12 – 30 VDC	418 961 Y	
Conductivity Transmitter compact 4-20 mA output; without relay				2 x PG 13.5	
Compact Transmitter 8225	C = 0.01	FPM	115 – 230 VAC	426 935 E	426 951 N
Compact Transmitter 8225	C = 0.1	FPM	115 – 230 VAC	426 936 F	427 864 Q
Compact Transmitter 8225	C = 1.0	FPM	115 – 230 VAC	426 937 G	427 865 R
Compact Transmitter 8225	C = 10	FPM	115 – 230 VAC	426 938 R	427 866 J
Compact Transmitter 8225	C = 0.01	EPDM	115 – 230 VAC	426 939 J	427 867 K
Compact Transmitter 8225	C = 0.1	EPDM	115 – 230 VAC	426 940 X	427 868 U
Compact Transmitter 8225	C = 1.0	EPDM	115 – 230 VAC	426 941 L	427 869 V
Compact Transmitter 8225	C = 10	EPDM	115 – 230 VAC	426 942 M	427 870 S
Conductivity Transmitter compact 4-20 mA output; 2 x relay				2 x PG 13.5	
Compact Transmitter 8225	C = 0.01	FPM	12 – 30 VDC	418 954 Z	418 978 H
Compact Transmitter 8225	C = 0.1	FPM	12 – 30 VDC	418 955 S	418 979 A
Compact Transmitter 8225	C = 1.0	FPM	12 – 30 VDC	418 956 T	418 980 Y
Compact Transmitter 8225	C = 10	FPM	12 – 30 VDC	418 957 U	418 981 M
Compact Transmitter 8225	C = 0.01	EPDM	12 – 30 VDC	418 970 D	418 986 J
Compact Transmitter 8225	C = 0.1	EPDM	12 – 30 VDC	418 971 S	418 987 K
Compact Transmitter 8225	C = 1.0	EPDM	12 – 30 VDC	418 972 T	418 988 U
Compact Transmitter 8225	C = 10	EPDM	12 – 30 VDC	418 973 U	418 989 V
Conductivity Transmitter compact 4-20 mA output; 2 x relay				2 x PG 13.5	
Compact Transmitter 8225	C = 0.01	FPM	115 – 230 VAC	426 943 N	427 871 P
Compact Transmitter 8225	C = 0.1	FPM	115 – 230 VAC	426 944 P	427 872 Q
Compact Transmitter 8225	C = 1.0	FPM	115 – 230 VAC	426 945 Q	427 873 R
Compact Transmitter 8225	C = 10	FPM	115 – 230 VAC	426 946 R	427 874 J
Compact Transmitter 8225	C = 0.01	EPDM	115 – 230 VAC	426 947 J	427 875 K
Compact Transmitter 8225	C = 0.1	EPDM	115 – 230 VAC	426 948 T	427 876 L
Compact Transmitter 8225	C = 1.0	EPDM	115 – 230 VAC	426 949 U	427 877 M
Compact Transmitter 8225	C = 10	EPDM	115 – 230 VAC	426 950 Z	427 878 W

Ordering Data for Conductivity Transmitter 8225

A separate version of conductivity transmitter type 8225 consists of three basic units as follows:

- Fitting type S020 (DN15 to DN50) or 1500/1501 (DN65 to DN200)
- Conductivity-sensor 8220 short or long version (includes converter 8221)
- Conductivity transmitter 8225 wall- or panel mounted version

TYPE DESCRIPTION	Relay	Sensor	Voltage	ITEM - N o.
Conductivity Transmitter panel mounted version for separate sensor type 8220; 4-20 mA output				
Panel mounted Transmitter 8225	no	no	12 - 30 VDC	426 830 R
Panel mounted Transmitter 8225	2 x relay	no	12 - 30 VDC	426 831 E
Panel mounted Transmitter 8225 for > 5m cable length	no	no	12 - 30 VDC	426 832 F
Panel mounted Transmitter 8205 for > 5m cable length	2 x relay	no	12 - 30 VDC	426 833 G
Conductivity Transmitter wall mounted version for separate sensor type 8220 ; 4-20 mA output				
Wall mounted Transmitter 8225	no	no	12 - 30 VDC	426 834 H
Wall mounted Transmitter 8225	2 x relay	no	12 - 30 VDC	426 835 A
Wall mounted Transmitter 8225	no	no	115 – 230 VDC	426 836 B
Wall mounted Transmitter 8225	2 x relay	no	115 – 230 VDC	426 837 C
Wall mounted Transmitter 8225 for > 5m cable length	no	no	12 - 30 VDC	426 838 M
Wall mounted Transmitter 8225 for > 5m cable length	2 x relay	no	12 - 30 VDC	426 839 N
Wall mounted Transmitter 8225 for > 5m cable length	no	no	115 – 230 VDC	426 840 T
Wall mounted Transmitter 8225 for > 5m cable length	2 x relay	no	115 – 230 VDC	426 841 Q

TYPE DESCRIPTION	Gasket	Sensor	Material Pt 1000	ITEM - N o.
Conductivity sensor type 8220 short version (<5 m); PG 9				
8220 with PVDF finger	FPM	C = 0.01	SS	426 872 P
8220 with PVDF finger	FPM	C = 0.1	SS	426 873 Q
8220 with PVDF finger	FPM	C = 1.0	SS	426 874 R
8220 with PVDF finger	FPM	C = 10	Titanium	426 875 J
8220 with PVDF finger	EPDM	C = 0.01	SS	426 876 K
8220 with PVDF finger	EPDM	C = 0.1	SS	426 877 L
8220 with PVDF finger	EPDM	C = 1.0	SS	426 878 V
8220 with PVDF finger	EPDM	C = 10	Titanium	426 879 W
Conductivity sensor type 8220 long version (<500 m); PG 9				
8220 with PVDF finger	FPM	C = 0.01	SS	426 880 L
8220 with PVDF finger	FPM	C = 0.1	SS	426 881 H
8220 with PVDF finger	FPM	C = 1.0	SS	426 882 A
8220 with PVDF finger	FPM	C = 10	Titanium	426 883 B
8220 with PVDF finger	EPDM	C = 0.01	SS	426 884 C
8220 with PVDF finger	EPDM	C = 0.1	SS	426 885 D
8220 with PVDF finger	EPDM	C = 1.0	SS	426 886 E
8220 with PVDF finger	EPDM	C = 10	Titanium	426 887 F
8221 Signal converter analog/digital				426 888 Q

TYPE DESCRIPTION	Material	Cable length	ITEM - N o.
Submersion Kit for Conductivity Transmitter 8225 and sensor 8200			
Immersion fitting	PP	0.5 m	419 567 W
Immersion fitting	PP	1.0 m	419 568 F
Immersion fitting	PP	1.5 m	419 569 G
Immersion fitting	PP	2.0 m	419 570 D
Extension cable 4-wire		0.5 m	419 574 V
Extension cable 4-wire		1.0 m	419 575 W
Extension cable 4-wire		1.5 m	419 576 X
Extension cable 4-wire		2.0 m	419 577 Y
Fixing Kit – Flange DN65 with SS-screws	PP		413 615 Q

Ordering Data of Stainless Steel

Diameters	Materials	Item-No.
SS - Female G-Threaded Ports		
DN 32	SS, FPM	428 739 B
DN 40	SS, FPM	428 740 Q
DN 50	SS, FPM	428 741 D
SS - Female NPT-Threaded Ports		
DN 32	SS, FPM	428 745 H
DN 40	SS, FPM	428 746 A
DN 50	SS, FPM	428 747 B
SS - Female ISO7 (JIS) Threaded Ports		
DN 32	SS, FPM	428 751 F
DN 40	SS, FPM	428 752 G
DN 50	SS, FPM	428 753 H
SS- Male G Threaded Ports		
DN 32	SS, FPM	428 757 D
DN 40	SS, FPM	428 758 N
DN 50	SS, FPM	428 759 P
SS - Weld Ends		
DN 32	SS, FPM	428 763 B
DN 40	SS, FPM	428 764 C
DN 50	SS, FPM	428 765 D
SS - Tri-Clamp (ISO 2852)		
DN 32	SS, FPM	428 769 R
DN 40	SS, FPM	428 770 N
DN 50	SS, FPM	428 771 B
SS - DIN Flanges (DIN 2501)		
DN 32	SS, FPM	428 775 F
DN 40	SS, FPM	428 776 G
DN 50	SS, FPM	428 777 H
SS - Flanges (JIS 10K)		
DN 32	SS, FPM	431 056 M
DN 40	SS, FPM	431 057 N
DN 50	SS, FPM	431 058 X
SS - ANSI Flanges (ANSI B16-5-1988)		
DN 32	SS, FPM	428 781 W
DN 40	SS, FPM	428 782 X
DN 50	SS, FPM	428 783 Y
SS - Weld-o-let		
DN 65	SS	418 112 M
DN 80	SS	418 113 N
DN 100	SS	418 114 P

Ordering Data of Brass Fittings Type S020

Diameters	Materials	Item-No.
Brass - Female G-Threaded Ports		
DN 32	Brass, FPM	428 715 T
DN 40	Brass, FPM	428 716 U
DN 50	Brass, FPM	428 717 V
Brass - Female NPT-Threaded Ports		
DN 32	Brass, FPM	428 721 Z
DN 40	Brass, FPM	428 722 S
DN 50	Brass, FPM	428 723 T
Brass - Female ISO7 (JIS) Threaded Ports		
DN 32	Brass, FPM	428 727 X
DN 40	Brass, FPM	428 728 G
DN 50	Brass, FPM	428 729 H
Brass - Male G/metric Threaded Ports		
DN 32	Brass, FPM	428 733 V
DN 40	Brass, FPM	428 734 W
DN 50	Brass, FPM	428 735 X

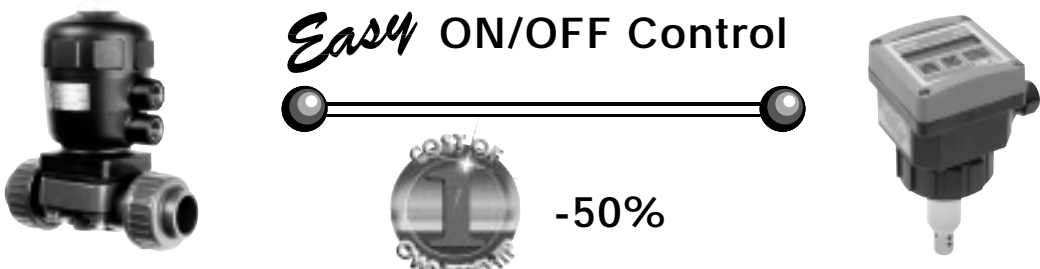
Ordering Data of Plastic Fittings Type S020

Diameters	Materials	Item-No.
PVC - True union DIN		
DN 15	PVC, FPM	430 837 L
DN 20	PVC, FPM	430 838 V
DN 25	PVC, FPM	430 839 W
DN 32	PVC, FPM	428 673 H
DN 40	PVC, FPM	428 674 A
DN 50	PVC, FPM	428 675 B
PVC - True union ASTM		
1" 1/4"	PVC, FPM	428 685 W
1" 3/4"	PVC, FPM	428 686 X
2"	PVC, FPM	428 687 Y
PVC - True union JIS		
DN 32	PVC, FPM	429 081 M
DN 40	PVC, FPM	429 082 N
DN 50	PVC, FPM	429 083 P
PVC - Solvent Spigot		
DN 32	PVC, FPM	428 679 P
DN 40	PVC, FPM	428 680 D
DN 50	PVC, FPM	428 681 S
PE - Weld-o-let		
DN 65-100	PE	418 642 G

Diameters	Materials	Item-No.
PP - True Union with Threaded Port		
DN 15	PP, FPM	430 840 B
DN 20	PP, FPM	430 841 Y
DN 25	PP, FPM	430 842 Z
DN 32	PP, FPM	428 691 U
DN 40	PP, FPM	428 692 V
DN 50	PP, FPM	428 693 W
PP - Weld Ends		
DN 32	PP, FPM	428 697 S
DN 40	PP, FPM	428 698 B
DN 50	PP, FPM	428 699 C
PP - Weld-o-let		
DN 65-100	PP	418 650 L
PVDF - True Union with Threaded Port		
DN 15	PVDF, FPM	430 843 S
DN 20	PVDF, FPM	430 844 T
DN 25	PVDF, FPM	430 845 U
DN 32	PVDF, FPM	428 703 G
DN 40	PVDF, FPM	428 704 H
DN 50	PVDF, FPM	428 705 A
PVDF - Weld Ends		
DN 32	PVDF, FPM	428 709 N
DN 40	PVDF, FPM	428 710 A
DN 50	PVDF, FPM	428 711 X
PVDF - Weld-o-let		
DN 65-100	PVDF	418 658 Q

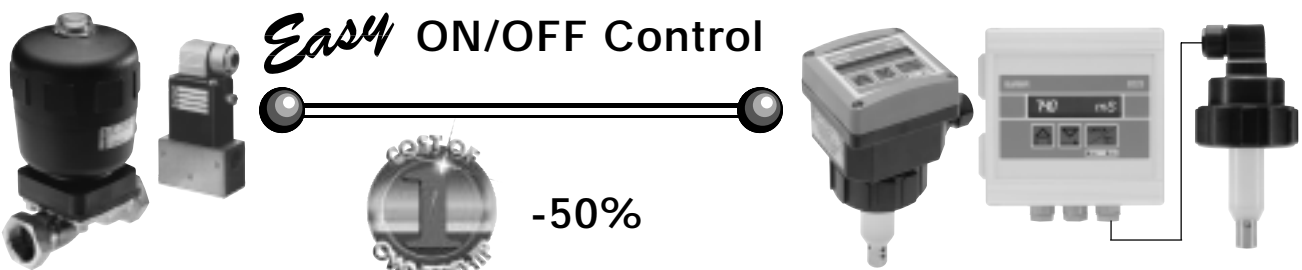
Technical Data

Easy ON/OFF Control



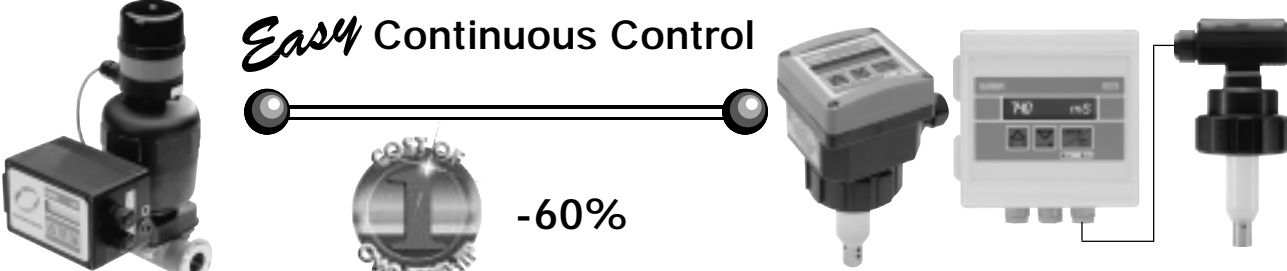
COST OF OWNERSHIP 1 -50%

Easy ON/OFF Control



COST OF OWNERSHIP 1 -50%

Easy Continuous Control



COST OF OWNERSHIP 1 -60%



