

Positive Displacement Low Flow Sensor



8071

Positive Displacement Sensor

- ✓ For highly viscous fluids
- ✓ Electronics available for:
 - Indication
 - Monitoring
 - Transmitting
 - ON/OFF control
 - Batch control

Picture showing Low Flow Sensor Type 8071 St. Steel with Low Flow Transmitter 8025

This positive displacement low flow sensor is specially designed for highly viscous fluids like glue, honey or oil.

The sensor can be easily connected to the transmitter type 8025 or the batch controller type 8025 with Burkert's Easy LINK Technology.

Process Specification

Process connections

Threaded

Flow rate

>5 cps

<5 cps

Accuracy

Material of wetted parts

Rotor

Shaft

Gasket

Body

Max. viscosity

Max. particle size

• 1/4" (G or NPT)

• 2 up to 100 l/h
(0.53 up to 26.4 gph)

• 15 up to 500 l/h
(4.00 up to 132 gph)

• 5 up to 100 l/h
(1.32 up to 26.4 gph)

• 25 up to 500 l/h
(6.60 up to 132 gph)

±1% (of reading)

• Stainless steel 316 / 1.4401

• PPS

• Stainless steel 316 / 1.4401

• Hastalloy C

FPM (EPDM or PTFE on request)

• Stainless Steel 316 / 1.4401

• PPS

1000 mPa s (cP)

0.127mm (0.005")

Electrical Specifications

Sensor type

Output

K-factor

Electrical connections

Hall

Open collector NPN

1000 pulses per liter

(3785.4 per gallon)

Cable 1m (39")

Environment Specifications

Enclosure

Fluid temperature (max.)

Stainless Steel body

PPS body

120°C (248°F)

80°C (176°F)

Ambient temperature (max.)

Stainless Steel body

PPS body

120°C (248°F)

80°C (176°F)

Fluid pressure (max.)

Stainless Steel body

PPS body

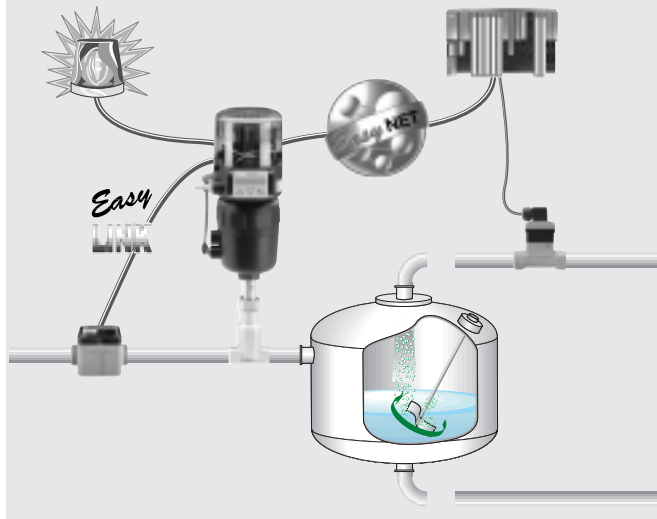
10 bar (150 psi)

5 bar (75 psi)

(high pressure version on request)

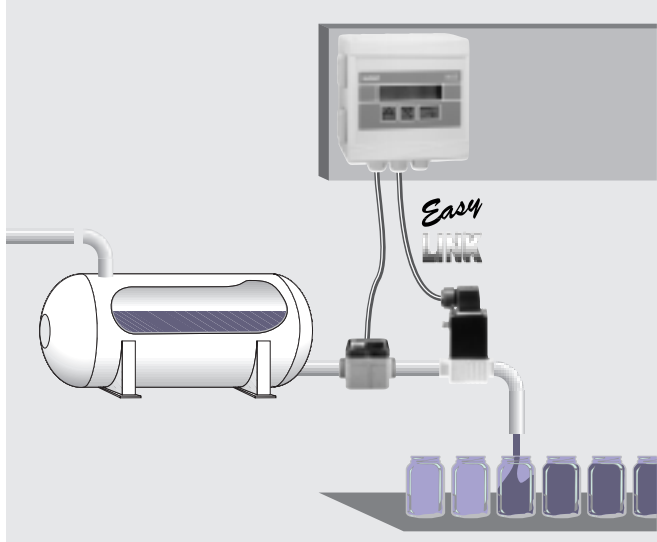
Application Example: Dosing

Easy Continuous Control using low-flow sensor and globe valve with TOP Control HEAD



Application Example: Batching

Easy ON/OFF Control using batch controller and solenoid valve



Flow - ON/OFF
Continuous & Batch Control

8071

Positive Displacement Low Flow Sensor

Specifications - Ordering Chart (Other Versions on Request) for Low Flow Sensor Type 8071

Stainless Steel Body - Type 8071 - Worldwide

Process connection	Flow rate - range		Body material	Rotor material	Shaft material	Gasket material	Item-No.
	>5 mPa s (cP) [l/h]	<5 mPa s (cP) [l/h]					
G 1/4"	2-100	5-100	SSt 316 / 1.4401	SSt 316 / 1.4401	SSt 316 / 1.4401	FPM	433 864 N
G 1/4"	15-500	25-500	SSt 316 / 1.4401	SSt 316 / 1.4401	SSt 316 / 1.4401	FPM	437 518 P

PPS Body - Type 8071 - Worldwide

Process connection	Flow rate - range		Body material	Rotor material	Shaft material	Gasket material	Item-No.
	>5 mPa s (cP) [l/h]	<5 mPa s (cP) [l/h]					
G 1/4"	2-100	5-100	PPS	PPS	Hastalloy C	FPM	432 288 U
G 1/4"	15-500	25-500	PPS	PPS	Hastalloy C	FPM	430 856 X

Stainless Steel Body - Type 8071 - North America

Process connection	Flow rate - range		Body material	Rotor material	Shaft material	Gasket material	Item-No.
	>5 mPa s (cP) [gph]	<5 mPa s (cP) [gph]					
NPT 1/4"	0.53- 26.4	1.32- 26.4	SSt 316 / 1.4401	SSt 316 / 1.4401	SSt 316 / 1.4401	FPM	448 656 L
NPT 1/4"	4.00-132.0	6.60-132.0	SSt 316 / 1.4401	SSt 316 / 1.4401	SSt 316 / 1.4401	FPM	448 657 M

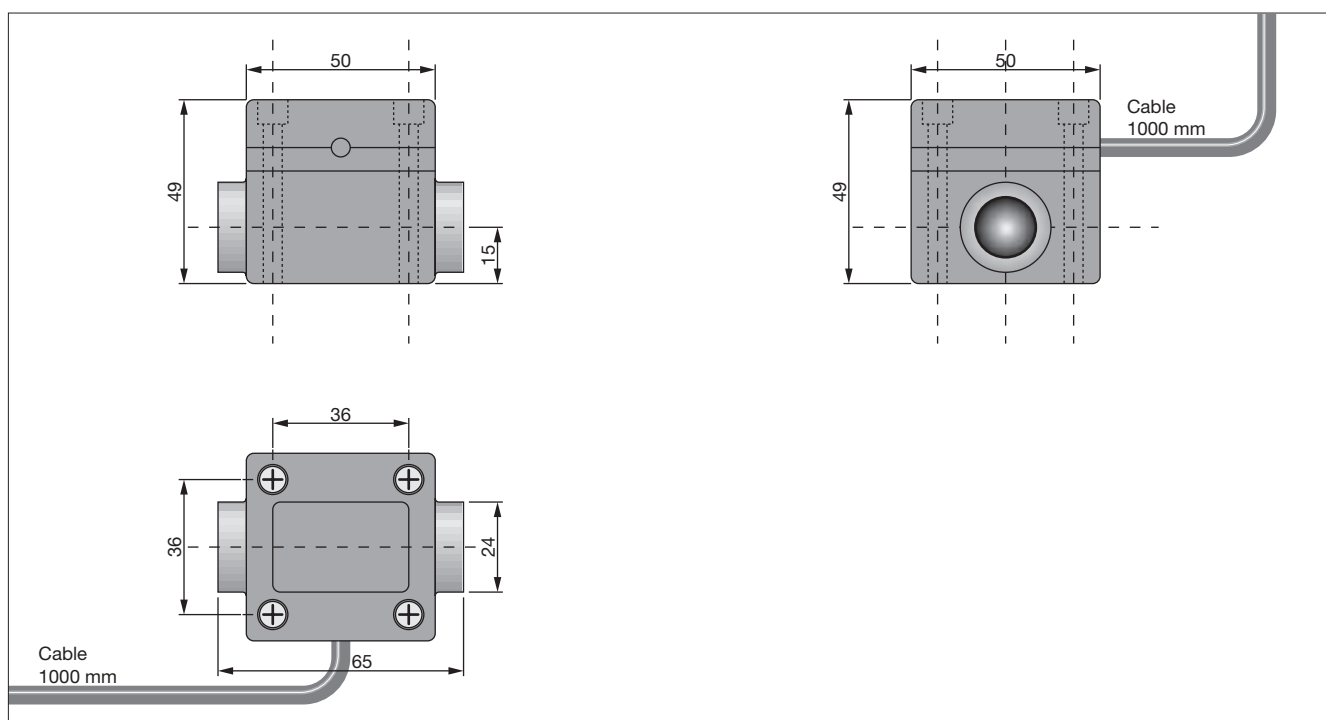
PPS Body - Type 8071 - North America

Process connection	Flow rate - range		Body material	Rotor material	Shaft material	Gasket material	Item-No.
	>5 mPa s (cP) [gph]	<5 mPa s (cP) [gph]					
NPT 1/4"	0.53- 26.4	1.32- 26.4	PPS	PPS	Hastalloy C	FPM	448 654 J
NPT 1/4"	4.00-132.0	6.60-132.0	PPS	PPS	Hastalloy C	FPM	448 655 K

Specifications - Ordering Chart for Low Flow Transmitter Type 8025 / 8025 Batch Controller

For details, please see Data Sheet Type 8025 Low Flow

Dimensions [mm] Type 8071



In case of special application requirements, please consult for advice.

We reserve the right to make technical changes without notice.
203-GB/ 1-0262