

Full Bore Magmeter for Easy Continuous or Batch Control



Picture showing a Sanitary Version of Type 8055 (Fitting S055 + Electronic SE55)

8055

Full Bore Magflowmeter

- ✓ Large graphic display
- ✓ Integrated batch controller and data logger
- ✓ Sanitary versions for food & beverage applications
- ✓ CIP (clean in place)
- ✓ Integrated Easy LINK

This full bore magmeter with large graphic display is designed for applications with a minimum conductivity of 5 $\mu\text{S}/\text{cm}$. Type 8055 can be programmed locally with 3 key pads or by computer with a serial interface RS485.

With the integrated batch controller and Burkert valves, a decentralized control loop can be established - Easy LINK.

Type 8055 consists of a fitting S055 and the electronic SE55.

Process Specification

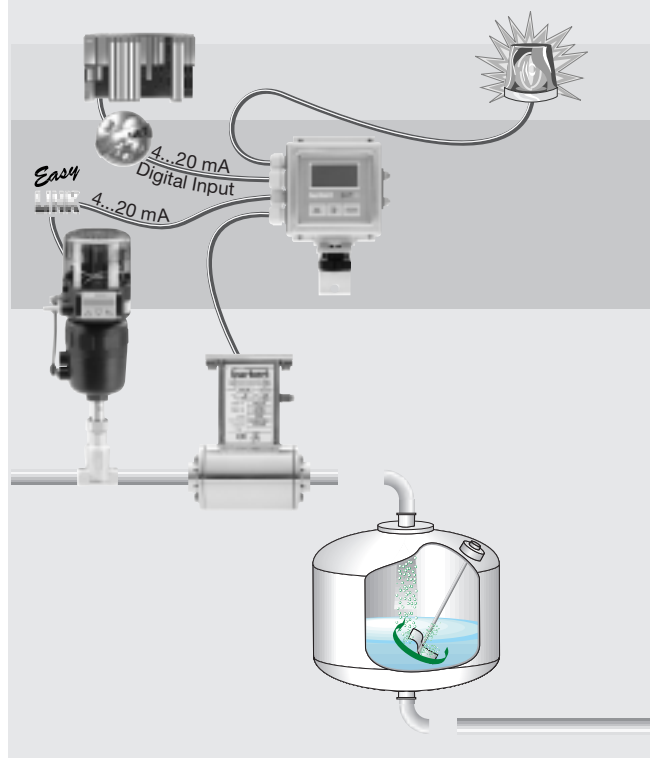
Pipe diameter	
Sanitary	DN 3 up to DN 100
Low flow	DN 3 up to DN 20
General purpose	DN 25 up to DN 100
Measuring range	
Sanitary	0...10 l/h up to 0...280 m ³ /h
Low flow	0...10 l/h up to 0...12'500 l/h
General purpose	0...0.72 m ³ /h up to 0...280 m ³ /h
Accuracy	$\pm 0.2\%$ (of range)
Minimum conductivity	5 $\mu\text{S}/\text{cm}$
Process connection	
Sanitary*	DIN 11851 and Tri-Clamp (ISO 2852) (others on request)
(*surface finish Ra <0.8 μm)	
Low flow	Threaded ISO 228-1 (UNI 338) and NPT (others on request)
General purpose	Flanged DIN 2501 (UNI 2223) and ANSI 150 RF (others on request)
Body materials	
Sanitary sensor	Stainless Steel 304 - 1.4301 (Stainless Steel 316 on request)
Low flow sensor	Stainless Steel 304 - 1.4301
General purpose sensor	Carbon Steel (Stainless Steel 304 on request)
Controller	Carbon Steel or St. Steel 304
Wetted parts	Stainless Steel 316L - 1.4404 (others on request)
Lining material	
Sanitary	PTFE
Low flow	PTFE
General purpose	Polypropylene (others on request)

Electrical Specifications

Voltage supply	90-265 VAC (others on request)
Outputs	
Current	Up to 2 0/4...20mA outputs
Pulse	Up to 2 1250 Hz or 12.5 kHz (40 VDC, 100 mA)
Transistor	Up to 4 transistors (40 VDC, 100 mA)
Relay	Up to 2 relays (250 VAC, 2 A)
Serial interface	RS485
Input	1 Digital input (0 up to 40 VDC)
Electrical Connections	Terminal blocks

Application: Continuous and Batch Control

- Water treatment
- Food & beverage



Environment Specifications

Fluid temperature range	-20°C up to +180°C
PTFE lining	-20°C up to +150°C
PP lining	0°C up to +60°C
Ambient temperature range	-20 up to +60°C
Fluid pressure max.	16 bar
Enclosure	
Sensor	IP68
Controller	IP67

Standards

EMI	EN55011 (Group 1, Class B)
Safety	IEC1000-4-2/3/4/5/6/11
	EN61010

Full Bore Magmeter for Easy Continuous or Batch Control

Specifications - Ordering Chart for Electronics (Other Versions on Request)

Display and Electronic Type SE55 - for Fitting Type S055 (below)

Voltage supply	Input	Output	Serial interface	Material	Item-No.
90 – 265 VAC	1 Digital	0/4...20 mA, 2 transistors, pulse (1250 Hz)	RS 485	SS 304	448 478 J
90 – 265 VAC	1 Digital	0/4...20 mA, 2 transistors, pulse (1250 Hz)	RS 485	Carbon Steel	448 479 K

Specifications - Ordering Chart (Other Versions on Request) for Fitting Type S055

Stainless Steel Fitting Type S055 - Sanitary Version

Orifice DN [mm]	Process connection	Flow rate - range [m³/h]	Body material	Wetted parts	Lining material	Item-No.
25	DIN 11851	0.72 – 18.0	SS 304	SS 316L	PTFE	448 480 H
32	DIN 11851	1.60 – 29.0	SS 304	SS 316L	PTFE	448 481 W
40	DIN 11851	1.80 – 45.0	SS 304	SS 316L	PTFE	448 482 X
50	DIN 11851	2.88 – 72.0	SS 304	SS 316L	PTFE	448 483 Y
65	DIN 11851	4.80 – 120.0	SS 304	SS 316L	PTFE	448 484 Z
80	DIN 11851	7.20 – 180.0	SS 304	SS 316L	PTFE	448 485 S
100	DIN 11851	11.20 – 280.0	SS 304	SS 316L	PTFE	448 486 T

Stainless Steel Fitting Type S055 - Low Flow Version (Male Threads)

Orifice DN [mm]	Process connection (G)	Flow rate - range [l/h]	Body material	Wetted parts	Lining material	Item-No.
3	ISO 228-1	10.0 – 250.0	SS 304	SS 316L	PTFE	448 487 U
6	ISO 228-1	40.0 – 1'000.0	SS 304	SS 316L	PTFE	448 488 D
10	ISO 228-1	120.0 – 3'000.0	SS 304	SS 316L	PTFE	448 489 E
15	ISO 228-1	240.0 – 6'000.0	SS 304	SS 316L	PTFE	448 490 B
20	ISO 228-1	500.0 – 12'500.0	SS 304	SS 316L	PTFE	448 491 Y

Carbon Steel Fitting Type S055 - General Purpose Version (Flanges)

Orifice DN [mm]	Process connection	Flow rate - range [m³/h]	Body material	Wetted parts	Lining material	Item-No.
25	DIN 2501	0.72 – 18.0	Carbon Steel	SS 316L	PP	448 492 Z
32	DIN 2501	1.60 – 29.0	Carbon Steel	SS 316L	PP	448 493 S
40	DIN 2501	1.80 – 45.0	Carbon Steel	SS 316L	PP	448 494 T
50	DIN 2501	2.88 – 72.0	Carbon Steel	SS 316L	PP	448 495 U
65	DIN 2501	4.80 – 120.0	Carbon Steel	SS 316L	PP	448 496 V
80	DIN 2501	7.20 – 180.0	Carbon Steel	SS 316L	PP	448 497 W
100	DIN 2501	11.20 – 280.0	Carbon Steel	SS 316L	PP	448 498 F

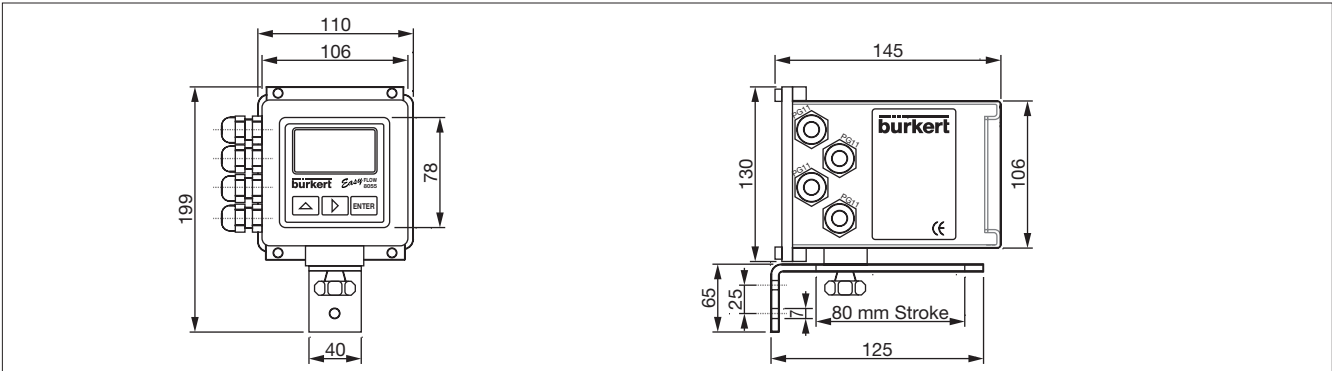
Specifications - Accessories

Connection Cable for Separate Version

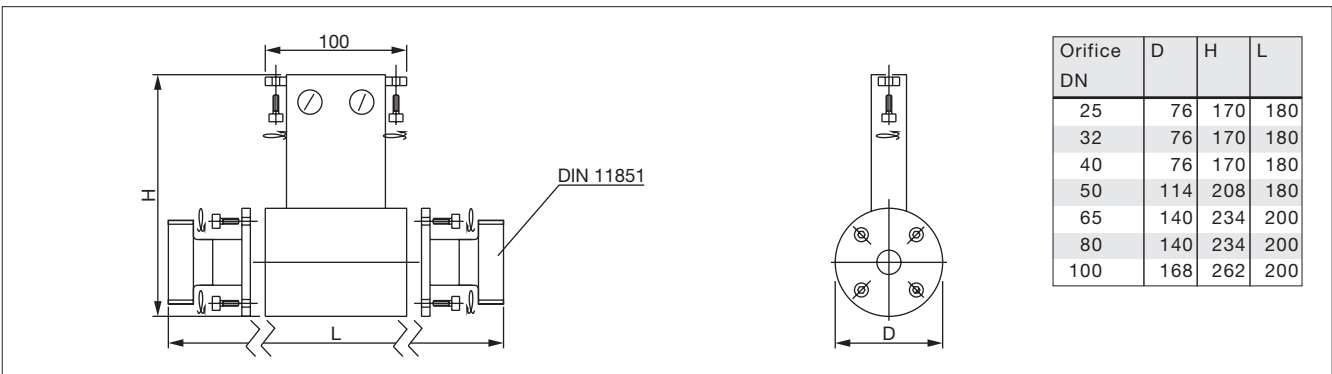
Description	Item-No.
Note: The connection cables for the separate version „C“ are supplied in steps of 5 m, i.e. 5, 10, 15 and 20 m (other lengths on request)	
Electrodes cable, type C015 for connection between MS sensor / ML converter, Poliiolefina insulation (only for version „C“)	448 518 A
Coils cable, type C016 for connection between MS sensor / ML converter, Poliiolefina insulation (only for version „C“)	448 519 B

Full Bore Magmeter for Easy Continuous or Batch Control

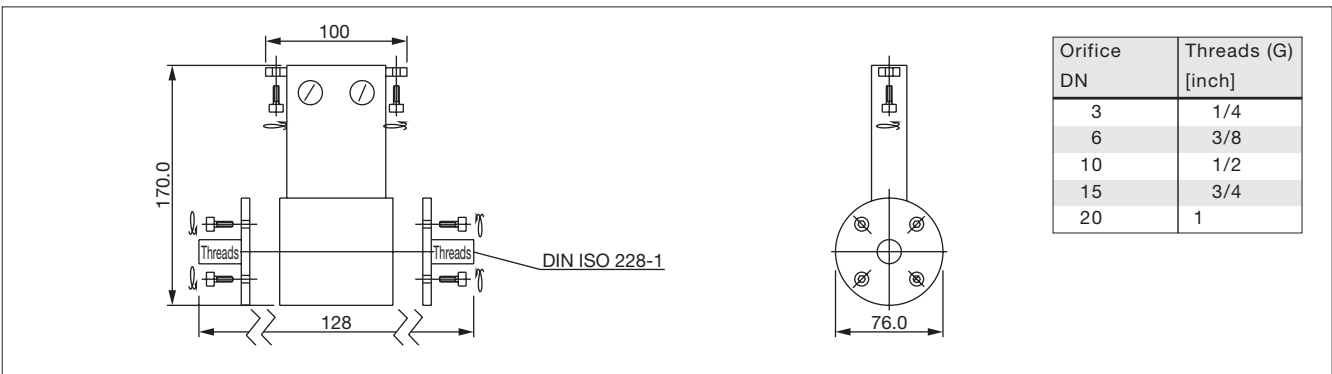
Dimensions [mm] Electronic Type SE55



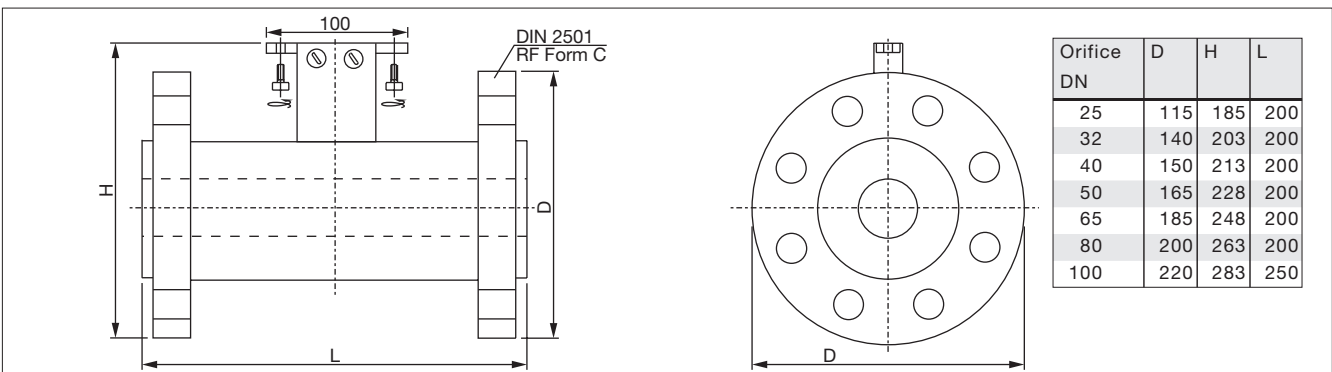
Dimensions [mm] Fitting Type S055 Sanitary



Dimensions [mm] Fitting Type S055 Low Flow



Dimensions [mm] Fitting Type S055 General Purpose



In case of special application requirements, please consult for advice.

We reserve the right to make technical changes without notice.
203-GB/ 1-0268

Full Bore Magmeter for Easy Continuous or Batch Control

8055