

3/2 way; DN 6 mm; 0 - 10 bar;  
G1/4 and NAMUR-flange; flow rate: 380 l/min



## Design/Function

Type 712 Namur Ex is a direct-acting, electro pneumatic 3/2 way seat valve with electro magnetic actuator and spring reset. It works internally pressure relieved and is actuated with a push-over coil with low power consumption.

Due to the aluminium, brass or stainless steel body, the epoxy coil and the plastic terminal box, the valve can be used in slightly aggressive environment and outdoor.

## Advantages / Benefits

- ▶ EEx-ed-II C T6 approval
- ▶ High switch reliability, even after a longer period of system standstill
- ▶ Operating from 0 bar without differential pressure
- ▶ Low electrical power consumption
- ▶ Push-over coil, rotatable around the coil axis in any position
- ▶ Assembly with Namur-flange directly on process valve
- ▶ For air and slightly aggressive environment
- ▶ Rating: IP 65

## Applications

### Fluids

- Lubricated or unlubricated compressed air
- Instrument air
- Nitrogen

### Applications

In hazardous areas  
Control valve for pneumatic actuators, particularly for

- Chemical industry
- Petro chemical industry
- General processing industry
- Plant and mechanical equipment manufacturers

Technical data type 712

Circuit function

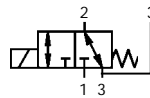
Switch symbol

T 3/2 way valve, direct-acting

De-energized: Port 2 connected to Port 3,  
Port 1 closed

Energized: Port 1 connected to Port 2,  
Port 3 closed

Universally applicable, any flow direction possible



Specifications (valve)

Orifice DN [mm]	Kv-value water <sup>1)</sup> [m <sup>3</sup> /h]	QnN-value air <sup>2)</sup> [l/min]	Pressure range <sup>3)</sup> PN [bar]	Weight [kg]
6	0,35	380	0-10	1,4

<sup>1)</sup> Measured at 1 bar input pressure and free outlet at the temperature of +20 °C.

<sup>2)</sup> Measured at 6 bar input pressure and 1 bar pressure drop at the valve and at +20 °C.

<sup>3)</sup> All pressure data as overpressure to ambient atmospheric pressure

Valve specifications

Materials

Valve body	Aluminium, hard anodised Brass Stainless Steel
Valve internal parts	Stainless Steel, aluminium
Seal	NBR, FPM and NBR + PUR
Coil	Epoxy
Terminal box	Thermoplastic

Media	Lubricated and unlubricated compressed air Nitrogen Instrument air
-------	-----------------------------------------------------------------------------

Media temperature	NBR: -20 °C up to + 60 °C FPM: -10 °C up to + 60 °C
-------------------	--------------------------------------------------------

Ambient temperature	-25 °C up to +60 °C
---------------------	---------------------

Port connection	G 1/4" and Namur flange pattern;
-----------------	-------------------------------------

Response times	Opening 25 - 35 ms Closing 60 - 80 ms
----------------	------------------------------------------

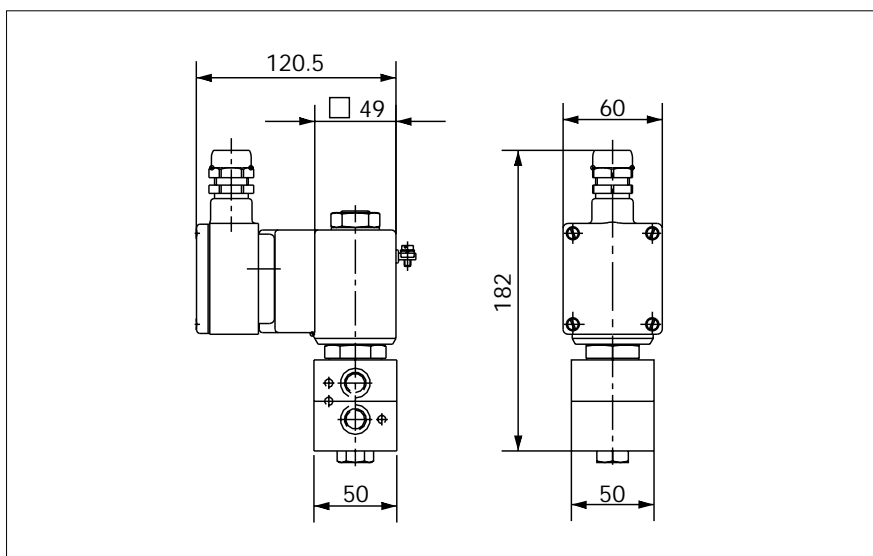
Solenoid specifications

Operating voltage	24 V DC other voltages on request
Voltage tolerance	+10% / -15%
Power consumption	5 W
Duty cycle	100 % continuously rated
Electr. connection	Terminal box
Fuse	Semi time-lag according to operating current
Rating	IP 65
Ex-approval	EEx-ed-II C T6 (e = increased safety) (d = pressure-proof housing)

Installation

Mounting position	any, preferably actuator upright
-------------------	-------------------------------------

Dimensions [mm]



Ordering chart (other versions on request)

Circuit function	Supply port connection 1 and 3	Service port connection 2 and 4	Orifice [mm]	Pressure range [bar]	Body material	Seal material	Ex approval	Item No.		
								024/UC	110/UC	230/UC
with manual override and cable (3000 mm length)										
T	G 1/4	Namur	6.0	0 - 10	ALU	NBR	EEx-ed-II T6	140 195 W	140 196 X	140 197 Y
T	G 1/4	flange	6.0	0 - 10	MS	FPM	EEx-ed-II T6	140 200 X	140 201 L	140 202 M
T	G 1/4	pattern	6.0	0 - 10	SS	NBR+PUR	EEx-ed-II T6	140 206 R	140 207 J	140 208 T
with manual override and terminal box										
T	G 1/4	Namur	6.0	0 - 10	ALU	NBR	EEx-ed-II T6	135 848 T	135 851 N	135 854 R
T	G 1/4	flange	6.0	0 - 10	MS	FPM	EEx-ed-II T6	135 850 Z	135 853 Q	135 856 K
T	G 1/4	pattern	6.0	0 - 10	SS	NBR+PUR	EEx-ed-II T6	135 849 U	135 852 P	135 855 J

Ordering chart fuses for 5W coil

Voltage [V]	max. Current [mA]	Item-No.
24	630	007 075 T
110	125	007 069 D
230	80	006 840 A

Solenoid Valve - Pneumatic  
direct acting, pressure relieved



Type 712  
Namur

