

2/2-Way; G1/8"-G1/4"; PN up to 10 bar



Advantages/Benefits

- ▶ Coil can be changed easy with valve in place
- ▶ Coil can be locked in 4x 90° positions or move freely between, as required
- ▶ Medium is only in contact with the valve internals and body
- ▶ High-quality seal material FPM (Viton) standard
- ▶ Wide range of cable plug options Type 2508

Design/Function

The valves are based on a modular concept comprising three basic elements; Valve assembly, push-over coil and standard cable plug. The valve assembly consists of a body to which the armature guide tube containing the plunger, seals and springs is attached. The coil is pushed over the guide tube and thus isolated from the medium. The medium is only in contact with the valve internals and body.

A wide selection of pipe and orifice sizes is offered. Valves are available in brass or stainless steel. All valves have high quality viton (FPM) seals as standard.

To simplify ordering, a wide selection of standard combinations of valve body, push over coil and standard cable plug can be ordered with one order number.

Cable plug options of Type 2508 are available to suit special electrical application requirements.

- The modular concept provides flexibility to meet applications requirements.
- The valve are interchangeable with Type 211.

Applications

Fluids

Brass version: Neutral gases and liquids, e.g.compressed air, town gas, natural gas, water, hydraulic oil, petrol.
Stainless steel version: Difficult and slightly aggressive media

Suitable for technical vacuum

Applications

- Pneumatic control
- Shut-off, dosing, filling and ventilating
- Small-scale instruments, laboratory and measuring technology
- Welding technology

bürkert
Easy Fluid Control Systems

Compact Solenoid Valve - General Purpose

Type 6013

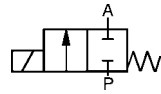
Threaded Port G1/8"-G1/4"

Technical Data Type 6013

Circuit function

A 2/2-way valve,
normally closed

Symbol



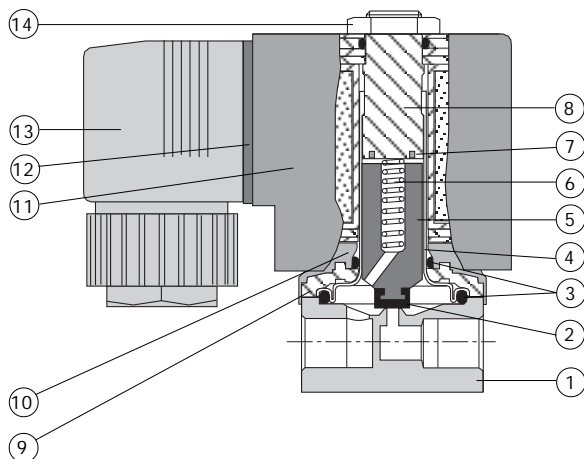
Operating Data (Valve)

Pressure range	0-10 bar (see specifications)
Port connection	Threaded port G 1/8"-G 1/4"
Orifice	DN 2,0-6,0 mm
Fluid	Neutral gases and liquids, e.g. compressed air, town gas, natural gas, water, hydraulic oil, petrol. Stainless steel version: Difficult and slightly aggressive media.
	Suitable for techn. vacuum.
Medium temperature	-10 bis +100 °C
Max. ambient temperature	+55 °C
Max. viscosity	21 mm ² /s
Response times	
opening	AC, DC 20 ms
closing	AC, DC 30 ms
Installation	as required, but preferably with solenoid system upright

Operating Data (Actuator)

Operating voltages	AC 24, 110, 230 V/50 Hz, DC 12, 24 V/=
Voltage tolerance	±10 %
Power consumption	
32 mm-coil	AC inrush AC hold DC
	24 VA 17 VA/8 W 8 W
Duty cycle	100% continuously rated
Duty cycle for multiple manifolds	60% for manifold mounting (30 min) or use 5W-version (on request)
Cycling rate	up to 1 000 c.p.m.
Rating with cable plug	IP 65
Electr. connection	Delivery standard: Cable plug DIN 43 650 A, 0-250 V. (other versions see accessories)

Materials



1 Valve body:	Brass, S.Steel 1.4305 (G1/8") S.Steel 1.4401 (G1/4")
2 Plunger-seal:	FPM (Viton)
3 O-rings:	FPM (Viton)
4 Armature guide tube:	1.4303
5 Plunger:	1.4105
6 Spring:	1.4310
7 Shading ring:	Cu (brass version) Ag (stainless steel version)
8 Stopper:	1.4105
9 Flange:	Zn3 gl cC (surface)
10 Bonnet:	Durethan BKV30H
11 Coil:	PA (Polyamide)
12 Flat seal:	NBR
13 Cable plug:	PA (Polyamide)
14 Locknut:	9SMnPb28K (surface Zn5glcA)

Specifications - Ordering Chart (Other Versions on Request)

Type 6013: brass body, coil 8W

(with standard-cable plug 0-250 V AC/DC)

Circuit function	Orifice [mm]	Kv-value water ¹⁾ [m ³ /h]	Pressure range ²⁾ [bar]	Port connection [inch]	Seal material	Voltage/frequency [V/Hz]	Weight [g]	Order-No.
A	2,0	0,12	0-10	G 1/8	FPM	24/=	360	125 293 M
			0-10			24/50		125 294 N
			0-10			110/50		125 295 P
			0-10			230/50		125 296 Q
	2,5	0,16	0- 6	G 1/8	FPM	24/=	360	125 297 R
			0- 6			24/50		125 298 S
			0- 6			110/50		126 090 J
			0- 6			230/50		125 299 T
	3,0	0,23	0- 6	G 1/8	FPM	24/=	360	126 091 F
			0-10			24/50		126 092 G
			0-10			110/50		126 093 H
			0-10			230/50		126 094 A
	3,0	0,23	0- 6	G 1/4	FPM	24/=	465	125 301 V
			0-10			24/50		125 302 W
			0-10			110/50		125 303 X
			0-10			230/50		125 304 Y
	4,0	0,30	0- 2	G 1/4	FPM	24/=	465	125 306 S
			0- 4			24/50		125 307 T
			0- 4			110/50		125 308 C
			0- 4			230/50		125 309 D
	6,0	0,55	0- 1	G 1/4	FPM	24/=	465	125 311 N
			0- 1,5			24/50		125 312 P
			0- 1,5			110/50		125 313 Q
			0- 1,5			230/50		125 314 R

Type 6013: stainless steel body (VA); coil 8W;

(with standard-cable plug 0-250 V AC/DC)

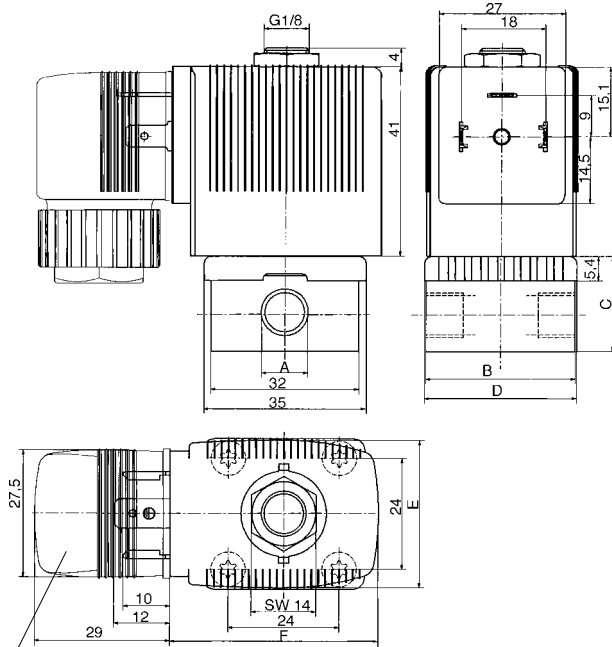
Circuit function	Orifice [mm]	Kv-value water ¹⁾ [m ³ /h]	Pressure range ²⁾ [bar]	Port connection [inch]	Seal material	Voltage/frequency [V/Hz]	Weight [g]	Order-No.
A	2,0	0,12	0-10	G 1/8	FPM	24/=	345	126 075 N
			0-10			24/50		126 076 P
			0-10			110/50		126 077 Q
			0-10			230/50		125 315 J
	3,0	0,23	0- 6	G 1/8	FPM	24/=	345	126 078 Z
			0-10			24/50		126 079 S
			0-10			110/50		126 080 Q
			0-10			230/50		126 081 D
	3,0	0,23	0- 6	G 1/4	FPM	24/=	445	125 317 L
			0-10			24/50		126 082 E
			0-10			110/50		126 083 F
			0-10			230/50		126 084 G
	4,0	0,30	0- 2	G 1/4	FPM	24/=	445	125 318 V
			0- 4			24/50		125 319 W
			0- 4			110/50		126 085 H
			0- 4			230/50		125 320 T
	6,0	0,55	0- 1	G 1/4	FPM	24/=	445	126 086 A
			0- 1,5			24/50		126 087 B
			0- 1,5			110/50		126 088 L
			0- 1,5			230/50		126 089 M

¹⁾ Measured with 6 bar upstream pressure and 1 bar pressure drop across the valve at +20 °C.

²⁾ All pressures quoted are gauge pressures with respect to the prevailing atmospheric pressure.

Dimensions (in mm)

Solenoid coil: 8W power consumption

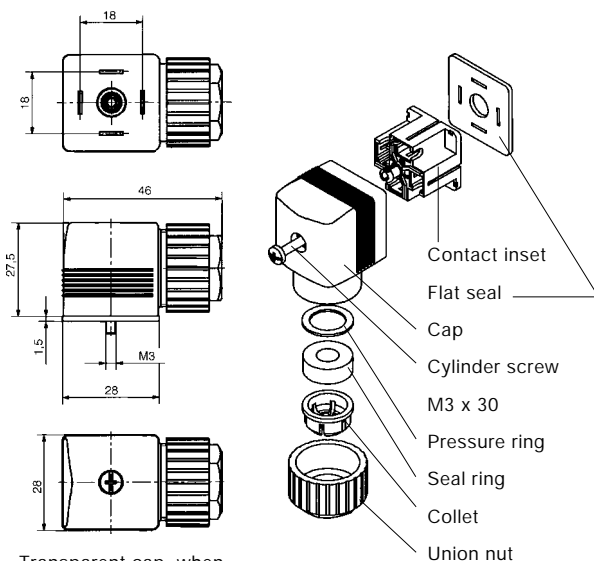


Variable dimensions

	Armature				Coil (8 Watt)	
	A	B	C	D	E	F
Threaded port G 1/8	32	20,8	32,6	32	45	
Threaded port G 1/4	46	26,8	49,0	32	45	

Cable plug DIN 43650, form A, (0-250 V AC/DC) delivery standard.

Dimensions Accessories (in mm)



Transparent cap, when wired with LED.

Ordering Chart for Accessories

Device/Accessory	Features	Order-No.
Cable-plugs¹⁾ Type 2508	Standard cable plug, 0-250 V AC/DC (standard-delivery) ¹⁾	008 376 N
	with LED, 12-24 V AC/DC	008 360 S
	with LED, 100-120 V AC/DC	008 361 P
	with LED + varistor, 12-24 V AC/DC	008 367 M
	with LED + varistor, 100-120 V AC/DC	008 368 W
	with LED + varistor, 200-240 V AC/DC	008 369 X
	(optional wirings and connection specifications see data sheet Type 2508)	

¹⁾ The standard cable plug (0-250 V AC/DC), Order-No. 008 376 N is part of the standard delivery. Ordering of optional cable plugs with separate ordering number.

A wide selection of further cable plugs is available (see special data sheet Type 2508)