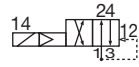


# 4/2 Way Solenoid Valve Servo-Assisted



5413



Circuit Function G

G 1/4, Polyamide Body

- ✓ Suitable for Manifold Mounting
- ✓ High Flow Rates
- ✓ Manual Override as Standard

Type 5413 is a 4/2 way solenoid valve with a poppet design. An epoxy-encapsulated 3/2 way pilot solenoid valve provides the control.

The valve consists basically of two inter-connected 3/2 way valves of opposite function feeding ports A (NC) and B (NO). A min. pressure differential of 1 bar is required to provide reliable switching. The valves can be multi-manifold mounted into assemblies on double-channel manifolds for main air supply and exhaust.

## Process Specification

Materials	
Body	Polyamide with moulded-in metal threads
Valve internals	Stainless Steel
Sealing	NBR
Fluids	Neutral media, e.g. lubricated or unlubricated compressed air
Temperatures	
Fluid	-10 up to +60°C
Ambient	Max. +55°C
Operating voltages	24 V/DC 24 / 110 / 230 V/50-60 Hz
Voltage tolerance	±10%
Duty cycle	100% continuously rated
Electrical connection	Tag connectors according to DIN 43650 A for cable plugs type 2508 (see accessories)
Rating	IP 65 (with cable plug)
Installation	As required (preferably solenoid system upright)

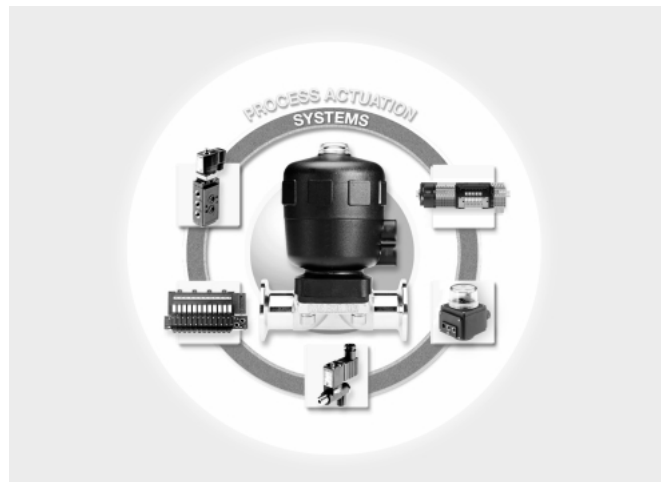
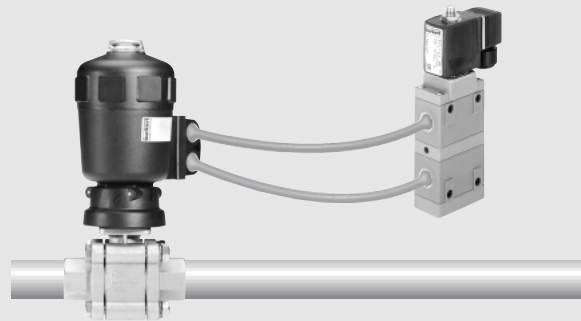
**Flow rate: QNn-value air [l/min]**  
Measured at +20°C, 6 bar pressure at valve inlet, 1 bar pressure difference.

**Pressure ranges (bar)**  
Measured as overpressure to the atmospheric pressure

\*) Applied supply pressure must be 1 bar above the pilot pressure of the valve actuator.

Orifice DN [mm]	QNn value air <sup>1)</sup> [l/min]	Port conn. [inch]	Electrical power consumption			Response times		Press. range [bar]	Weight [kg]
			AC inrush [VA]	AC hold [VA]	DC [W]	opening [ms]	closing [ms]		
6.0	900	G 1/4	11	6	2	50	30	1 – 10	0.4

**Application: Actuation of large, externally piloted valves**



# 4/2 Way Solenoid Valve Servo-Assisted

## Specifications - Ordering Chart (Other Versions on Request) for Type 5413

(with standard-cable plug 0-250 V AC/DC)

Circuit function	Orifice DN [mm]	Port connection [inch]	Qn-value air <sup>1)</sup> [l/min]	Pressure range [bar]	Voltage / Frequency [V/Hz]	Item-No.
G	6	G 1/4	900	1 - 10	024/DC 024/50-60 110/50-60 230/50-60	134 615 Q 134 616 R 134 617 J 134 618 T

## Specifications - Ordering Chart for Light Alloy Manifolds

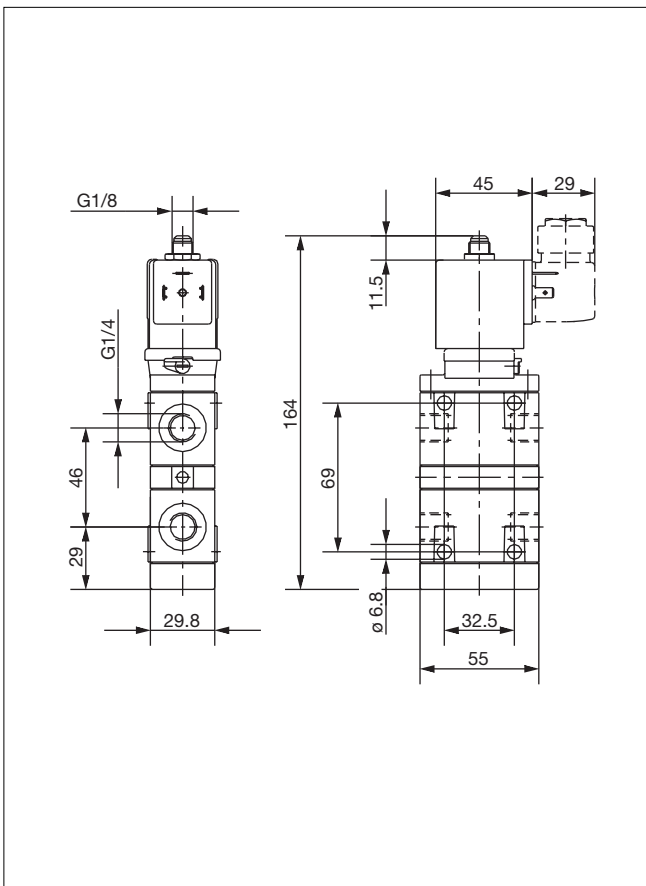
**Double Channel** (for pressure and exhaust port) incl. mounting screws M5 x 60 DIN 912 and O-rings 11 x 2.5

No. of valves	Hole spacing [mm]	Total length [mm]	Item-No.
2	93	78	005 686 T
3	126	111	005 688 D
4	159	144	005 719 B
5	192	177	005 696 V
6	225	210	005 626 W
7	258	243	005 738 E
8	291	276	005 724 Y
9	324	309	005 739 F
10	357	342	005 740 L
11	390	375	005 804 S
12	423	408	005 700 M

**Single Channel** (for pressure port) incl. banjo bolts and seals

No. of valves	Hole spacing [mm]	Total length [mm]	Item-No.
2	77	93	005 811 Q
3	110	126	005 717 Z
4	143	159	005 843 Y
5	176	192	005 776 C
6	209	225	005 718 A

## Dimensions [mm]

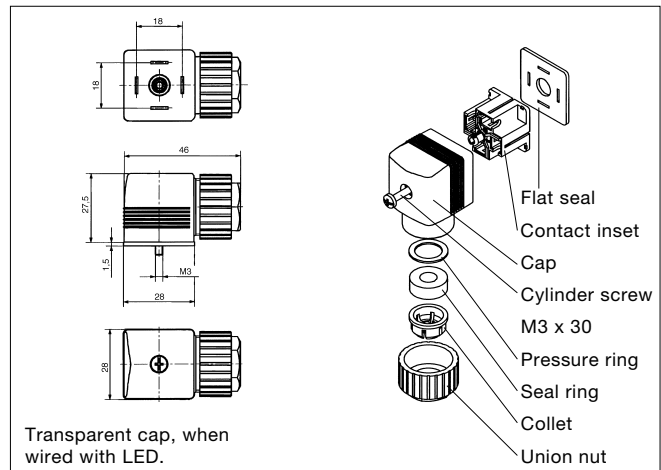


In case of special application requirements, please consult for advice.

## Ordering Chart for Accessories

Device/ Accessory	Features	Item-No.
Cable plugs <sup>1)</sup> Type 2508	Standard cable plug, 0-250 V AC/DC (standard-delivery) <sup>1)</sup>	008 376 N
	with LED, 12-24 V AC/DC	008 360 S
	with LED, 100-120 V AC/DC	008 361 P
	with LED + varistor, 12-24 V AC/DC	008 367 M
	with LED + varistor, 100-120 V AC/DC	008 368 W
	with LED + varistor, 200-240 V AC/DC	008 369 X
(optional wirings and connection specifications see data sheet Type 2508)		

<sup>1)</sup> The standard cable plug (0-250 V AC/DC), Order-No. 008 376 N is part of the standard delivery. Ordering of optional cable plugs with separate item number. A wide selection of further cable plugs is available (see data sheet type 2508)



Transparent cap, when wired with LED.

We reserve the right to make technical changes without notice. 102-GB/ 1-0228