

2/2-Way; G 1/2"-2 1/2"; 0.2-10 bar



Advantages/Benefits

- ▶ Less sensible to dirty fluids and corrosion resistant due to separating diaphragm
- ▶ Long-life solenoid system
- ▶ High reliability
- ▶ Opening and closing times controlled by integrated restrictor screws
- ▶ Lockable manual override as standard
- ▶ Waterhammer-free
- ▶ Wide range of cable plug options Type 2508

Design/Function

This valve is a unique solution for slightly contaminated, dirty and aggressive fluids with high reliability.

Internally piloted solenoid valve. The pilot valve is switched via a pivoted armature system which isolates the actuator from the fluid.

Opening and closing times can be adjusted by integrated restrictor screws, which delay the pressure rise and drop above the diaphragm.

To simplify ordering, a wide selection of standard combinations can be ordered with one order number.

Cable plug options of Type 2508 are available to suit special electrical application requirements.

Options:

- **Normally open (N.O.)**
- **Diagnosis:**
Electrical feedback signaller

Applications

Fluids

- Neutral liquids up to 16 bar
- Slightly contaminated and aggressive liquids

Applications

- Water/ sewage treatment
- Chemical processing
- Shipbuilding (centralized lubrication systems)
- Pollution control (filter systems)
- Separator in drinking water systems
- Ceramic industry
- Offshore technology

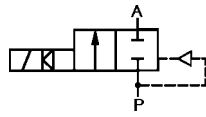
bürkert
Easy Fluid Control Systems

Technical Data

Circuit function

A 2/2-way, normally closed, with 3-way pilot control

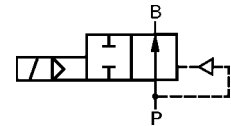
Symbol



Circuit function

B 2/2-way, normally open, with 3-way pilot control (on request)

Symbol



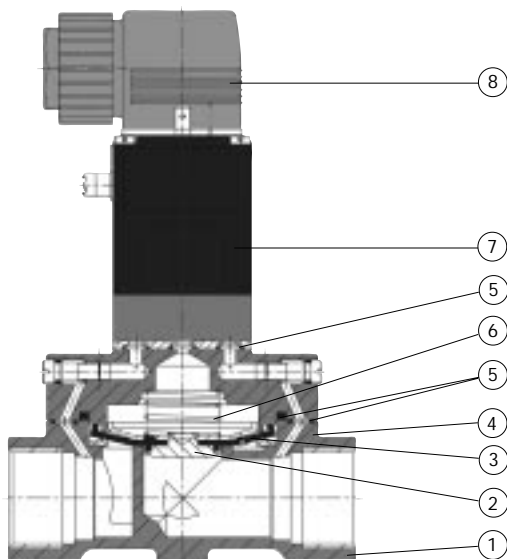
Operating Data (Valve)

Pressure range	0.2-10 bar
Port connection	G 1/2" - 2 1/2"
Fluid	NBR (0...+90 °C): Neutral fluids e.g. compressed air, water, oils and fat without additives. EPDM (0...+90 °C): Oil and fat-free fluids, e.g. hot water, alkaline washing- and bleaching lyes. FPM (0...+90 °C): Per-solutions, hot oils, oils with additives.
Max. ambient temperature	+55 °C
Max. viscosity	21 mm ² /s
Response times	opening: 0.1-0.8 s ¹⁾ closing: 1.0-4.0 s ¹⁾ ¹⁾ Depend on orifice, fluid pressure and viscosity.
Installation	as required, but preferably with solenoid system upright.

Operating Data (Actuator)

Operating voltages	AC 24, 110, 230 V/50-60 Hz DC 24 V/=
Voltages tolerance	±10 %
Power consumption	
Voltage (AC)	Inrush: 21 VA Hold: 12 VA/8 W
Voltage (DC)	Inrush and hold: 8 W
Duty cycle	100% continuously rated
Cycling rate	10-50 c.p.m.
Protection class with cable plug	IP 65
Electr. connection	Delivery standard: Cable plug DIN 43 650 A, 0-250 V (Other versions see accessories).

Materials



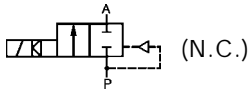
1 Valve body:	Brass, 1.4581 stainless steel
2 Diaphragm support:	Brass, 1.4581 stainless steel
3 Diaphragm:	NBR, EPDM, FPM
4 Cover:	Brass, 1.4581 stainless steel
5 O-rings:	NBR, EPDM, FPM
6 Spring:	1.4310 stainless steel
7 Coil:	Epoxy
8 Cable plug:	Polyamide

Solenoid valve for contaminated and aggressive fluids

Type 5282

General Purpose

Specifications - Ordering Chart (Other Versions on Request)



(with standard-cable plug
0-250 V AC/DC)

Brass body; seal material NBR; temperature range 0°C ... +90°C

Port connection [Inch]	Orifice [mm]	Kv-value (water) [m³/h]	Pressure Range [bar]	Seal material	Weight [kg]	ORDER - NO.			
						Voltage / Frequency [V/Hz]			
						24/DC	24/50-60	110/50-60	230/50-60
G 1/2	13.0	4.0	0.2-10	NBR	0.95	134 430 K	134 431 G	134 432 H	134 433 A
G 3/4	20.0	5.0	0.2-10	NBR	1.40	134 434 B	134 435 C	134 436 D	134 437 E
G 1	25.0	10.0	0.2-10	NBR	1.85	134 438 P	134 439 Q	134 440 V	134 441 J
G 1 1/4	32.0	20.0	0.2-10	NBR	2.60	134 442 K	134 443 L	134 444 M	134 445 N
G 1 1/2	40.0	20.0	0.2-10	NBR	3.05	134 446 P	134 447 Q	134 448 Z	134 449 S
G 2	50.0	40.0	0.2-10	NBR	5.15	134 450 X	134 451 L	134 452 M	134 453 N
G 2 1/2	65.0	40.0	0.2-10	NBR	5.90	134 454 P	134 455 Q	134 456 R	134 457 J

Brass body, seal material EPDM; temperature range -0°C ... +90°C

Port connection [Inch]	Orifice [mm]	Kv-value (water) [m³/h]	Pressure [bar]	Seal material	Weight [kg]	ORDER - NO.			
						Voltage / Frequency [V/Hz]			
						24/DC	24/50-60	110/50-60	230/50-60
G 1/2	13.0	4.0	0.2-10	EPDM	0.95	134 458 T	134 459 U	134 460 Z	134 461 N
G 3/4	20.0	5.0	0.2-10	EPDM	1.40	134 462 P	134 463 Q	134 464 R	134 465 J
G 1	25.0	10.0	0.2-10	EPDM	1.85	134 466 K	134 467 L	134 468 V	134 469 W
G 1 1/4	32.0	20.0	0.2-10	EPDM	2.60	134 470 T	134 471 Q	134 472 R	134 473 J
G 1 1/2	40.0	20.0	0.2-10	EPDM	3.05	134 474 K	134 475 L	134 476 M	134 477 N
G 2	50.0	40.0	0.2-10	EPDM	5.15	134 478 X	134 479 Y	134 480 N	134 481 B
G 2 1/2	65.0	40.0	0.2-10	EPDM	5.90	134 482 C	134 483 D	134 484 E	134 485 F

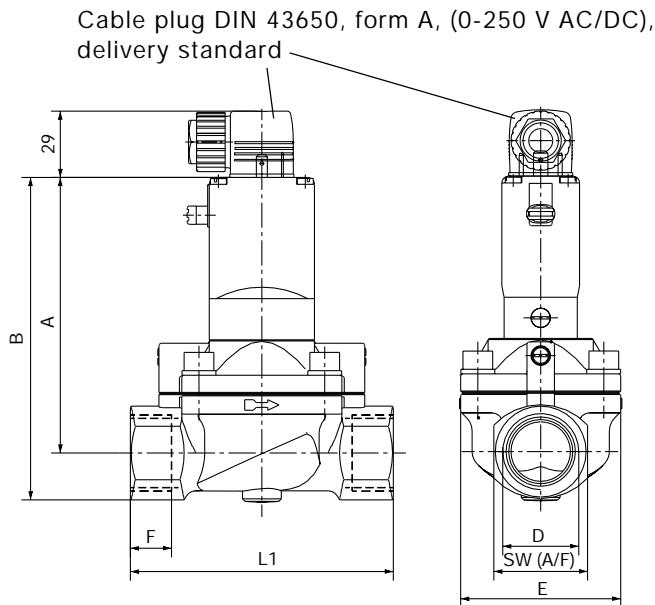
Brass body; seal material FPM; temperature range 0°C ... +90°C

Port connection [Inch]	Orifice [mm]	Kv-value (water) [m³/h]	Pressure [bar]	Seal material	Weight [kg]	ORDER - NO.			
						Voltage / Frequency [V/Hz]			
						24/DC	24/50-60	110/50-60	230/50-60
G 1/2	13.0	4.0	0.2-10	FPM	0.95	134 486 G	134 487 H	134 488 J	134 489 K
G 3/4	20.0	5.0	0.2-10	FPM	1.40	134 490 Q	134 491 D	134 492 E	134 493 F
G 1	25.0	10.0	0.2-10	FPM	1.85	134 494 G	134 495 H	134 496 A	134 497 B
G 1 1/4	32.0	20.0	0.2-10	FPM	2.60	134 498 L	134 499 M	134 500 S	134 501 P
G 1 1/2	40.0	20.0	0.2-10	FPM	3.05	134 502 Q	134 503 R	134 504 J	134 505 K
G 2	50.0	40.0	0.2-10	FPM	5.15	134 506 L	134 507 M	134 508 W	134 509 X

Stainless steel body; seal material FPM; temperature range 0°C ... +90°C

Port connection [Inch]	Orifice [mm]	Kv-value (water) [m³/h]	Pressure [bar]	Seal material	Weight [kg]	ORDER - NO.			
						Voltage / Frequency [V/Hz]			
						24/DC	24/50-60	110/50-60	230/50-60
G 1/2	20.0	4.0	0.2-10	FPM	0.95	134 514 B	134 515 C	134 516 D	134 517 E
G 3/4	20.0	5.0	0.2-10	FPM	1.40	134 518 P	134 519 Q	134 520 M	134 521 A
G 1	25.0	10.0	0.2-10	FPM	1.80	134 522 B	134 523 C	134 524 D	134 525 E
G 1 1/4	32.0	20.0	0.2-10	FPM	2.25	134 526 F	134 527 G	134 528 R	134 529 J
G 1 1/2	40.0	20.0	0.2-10	FPM	2.70	134 530 P	134 531 C	134 532 D	134 533 E
G 2	50.0	40.0	0.2-10	FPM	4.80	134 534 F	134 535 G	134 536 H	134 537 A

Dimensions (in mm)

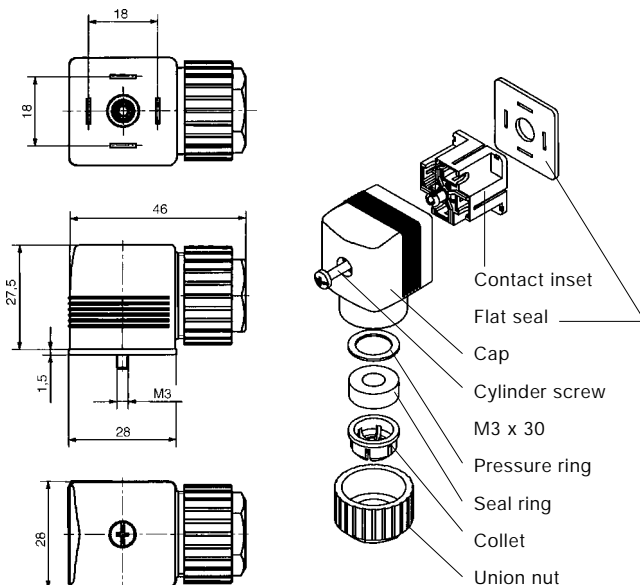


Variable Dimensions [mm]

Port-connection D	Orifice [mm]	A	B	F	E	L1	SW (A/F)
G 1/2 ¹⁾	13.0	109.0	123.0	14.0	40	65	27
G 1/2 ²⁾	20.0	115.0	131.0	14.0	60	100	32
G 3/4	20.0	115.0	131.0	16.0	60	100	32
G 1	25.0	120.5	141.0	18.0	70	115	41
G 1 1/4	32.0	122.0	147.0	20.0	85	126	50
G 1 1/2	40.0	126.0	156.0	22.0	85	126	60
G 2	50.0	142.5	177.5	24.0	115	164	70
G 2 1/2	65.0	142.5	185.0	27.0	115	180	85

¹⁾Only brass ²⁾Only stainless steel

Dimensions Accessories (in mm)



Transparent cap, when wired with LED.

Ordering Chart for Accessories

Device/Accessory	Features	Order-No.
Cable-plugs¹⁾ Type 2508	Standard cable plug, 0-250 V AC/DC (standard-delivery) ¹⁾	008 376 N
	with LED, 12-24 V AC/DC	008 360 S
	with LED, 100-120 V AC/DC	008 361 P
	with LED + varistor, 12-24 V AC/DC	008 367 M
	with LED + varistor, 100-120 V AC/DC	008 368 W
	with LED + varistor, 200-240 V AC/DC	008 369 X
	(optional wirings and connection specifications see data sheet Type 2508)	

¹⁾ The standard cable plug (0-250 V AC/DC), Order-No. 008 376 N is part of the standard delivery. Ordering of optional cable plugs with separate ordering number.

A wide selection of further cable plugs is available (see special data sheet Type 2508)