

2/2-Way; Flange connection, DN 25-50; 0.2-10 bar



### Advantages/Benefits

- ▶ Less sensible to dirty fluids and corrosion resistant due to separating diaphragm
- ▶ Long-life solenoid system
- ▶ High reliability
- ▶ Opening and closing times controlled by integrated restrictor screws
- ▶ Lockable manual override as standard
- ▶ Waterhammer-free
- ▶ Wide range of cable plug options Type 2508

### Design/Function

This valve is a unique solution for slightly contaminated, dirty and aggressive fluids with high reliability.

Internally piloted solenoid valve. The pilot valve is switched via a pivoted armature system which isolates the actuator from the fluid.

Opening and closing times can be adjusted by integrated restrictor screws, which delay the pressure rise and drop above the diaphragm.

To simplify ordering, a wide selection of standard combinations can be ordered with one order number.

Cable plug options of Type 2508 are available to suit special electrical application requirements.

#### Options:

- **Normally open (N.O.)**
- **Diagnosis:**  
**Electrical feedback signaller**

### Applications

#### Fluids

- Neutral liquids up to 16 bar
- Slightly contaminated and aggressive liquids

#### Applications

- Chemical process plants
- Water/ sewage treatment
- Shipbuilding (centralized lubrication systems)
- Pollution control (filter systems)
- Separator in drinking water systems

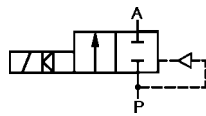
**bürkert**  
Easy Fluid Control Systems

### Technical Data

#### Circuit function

**A** 2/2-way, normally closed, with 3-way pilot control

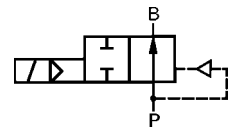
#### Symbol



#### Circuit function

**B** 2/2-way, normally open, with 3-way pilot control (on request)

#### Symbol



### Operating Data (Valve)

Pressure range	0.2-10 bar max.
Port connection	Flange (DIN 2501)
Fluid	NBR (0...+90 °C): Neutral fluids e.g. compressed air, water, oils and fat without additives. EPDM (0...+90 °C): Oil and fat-free fluids, e.g. hot water, alkaline washing- and bleaching lyes. FPM (0...+90 °C): Per-solutions, hot oils, oils with additives.
Max. ambient temperature	+55 °C
Max. viscosity	21 mm <sup>2</sup> /s
Response times	opening: 0.1-0.8 s <sup>1)</sup> closing: 1.0-4.0 s <sup>1)</sup> <sup>1)</sup> Depend on orifice, fluid pressure and viscosity.
Installation	as required, but preferably with solenoid system upright.

### Operating Data (Actuator)

Operating voltages	AC 24, 110, 230 V/50-60 Hz DC 24 V/=
Voltages tolerance	±10 %
Power consumption	
Voltage (AC)	Inrush: 21 VA Hold: 12 VA/8 W
Voltage (DC)	Inrush and hold: 8 W
Duty cycle	100% continuously rated
Cycling rate	10-50 c.p.m.
Protection class with cable plug	IP 65
Electr. connection	Delivery standard: Cable plug DIN 43 650 A, 0-250 V (Other versions see accessories).

### Materials

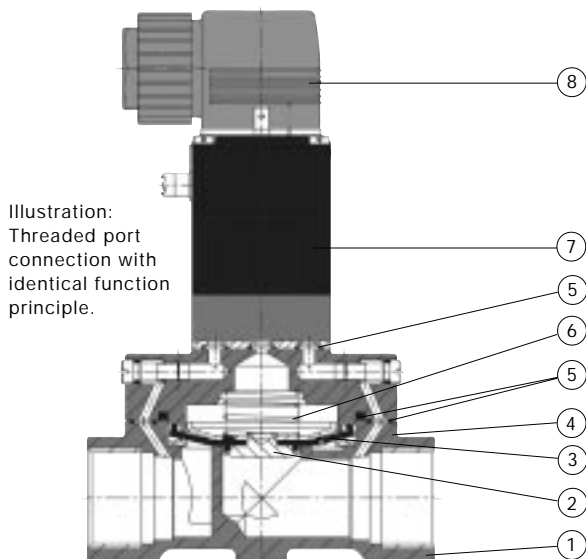


Illustration:  
Threaded port connection with identical function principle.

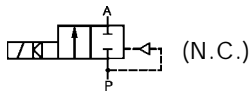
1 Valve body:	Grey cast iron, 1.4581 stainless steel
2 Diaphragm support:	Brass, 1.4581 stainless steel
3 Diaphragm:	NBR, EPDM, FPM
4 Cover:	Brass, 1.4581 stainless steel
5 O-rings:	NBR, EPDM, FPM
6 Spring:	1.4310
7 Coil:	Epoxy
8 Cable plug:	Polyamide

# Solenoid valve for contaminated and aggressive fluids

# Type 5282

Process Valves

## Specifications - Ordering Chart (Other Versions on Request)



(with standard-cable plug  
0-250 V AC/DC)

### Grey cast iron body; seal material NBR; temperature range 0°C ... +90°C

Port connection	Orifice [mm]	Kv-value (water) [m³/h]	Pressure Range [bar]	Seal material	Weight [kg]	ORDER - NO.			
						Voltage / Frequency [V/Hz]			
						24/DC	24/50-60	110/50-60	230/50-60
Flange	25.0	10.0	0.2-10	NBR	4.6	134 538 K	134 539 L	134 540 Z	134 541 N
Flange	32.0	20.0	0.2-10	NBR	6.4	134 542 P	134 543 Q	134 544 R	134 545 J
Flange	40.0	20.0	0.2-10	NBR	7.2	134 546 K	134 547 L	134 548 V	134 549 W
Flange	50.0	40.0	0.2-10	NBR	10.5	134 550 T	134 551 Q	134 552 R	134 553 J

### Stainless steel body, seal material EPDM; temperature range 0°C ... +90°C

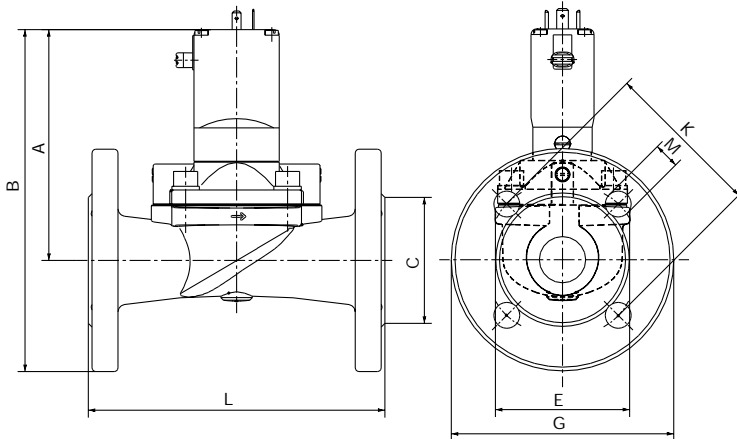
Port connection	Orifice [mm]	Kv-value (water) [m³/h]	Pressure Range [bar]	Seal material	Weight [kg]	ORDER - NO.			
						Voltage / Frequency [V/Hz]			
						24/DC	24/50-60	110/50-60	230/50-60
Flange	25.0	10.0	0.2-10	EPDM	3.6	134 570 X	134 571 L	134 572 M	134 573 N
Flange	32.0	20.0	0.2-10	EPDM	6.4	134 574 P	134 575 Q	134 576 R	134 577 J
Flange	40.0	20.0	0.2-10	EPDM	7.2	134 578 T	134 579 U	134 580 J	134 581 F
Flange	50.0	40.0	0.2-10	EPDM	10.5	134 582 G	134 583 H	134 584 A	134 585 B

### Stainless steel body; seal material FPM; temperature range 0°C ... +90°C

Port connection	Orifice [mm]	Kv-value (water) [m³/h]	Pressure Range [bar]	Seal material	Weight [kg]	ORDER - NO.			
						Voltage / Frequency [V/Hz]			
						24/DC	24/50-60	110/50-60	230/50-60
Flange	25.0	10.0	0.2-10	FPM	3.6	134 554 K	134 555 L	134 556 M	134 557 N
Flange	32.0	20.0	0.2-10	FPM	6.4	134 558 X	134 559 Y	134 560 V	134 561 J
Flange	40.0	20.0	0.2-10	FPM	7.0	134 562 K	134 563 L	134 564 M	134 565 N
Flange	50.0	40.0	0.2-10	FPM	10.5	134 566 P	134 567 Q	134 568 Z	134 569 S

## Dimensions (in mm)

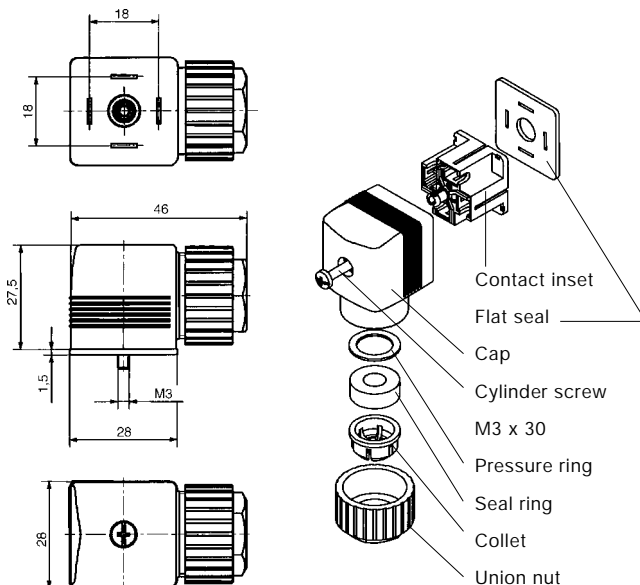
Delivery standard: Cable plug DIN 43650, form A, (0-250 V AC/DC).  
(Drawing without cable-plug)



## Variable Dimensions [mm]

Port-connection	Orifice [mm]	A	B	C	E	G	L	M	K
Flange	25.0	124.5	184.5	68.0	73	120	160	14	85
Flange	32.0	122.0	192.0	78.0	85	140	180	18	100
Flange	40.0	126.0	201.0	88.0	85	150	200	18	110
Flange	50.0	142.5	225.0	102.0	115	165	230	18	125

## Dimensions Accessories (in mm)



## Ordering Chart for Accessories

Device/Accessory	Features	Order-No.
<b>Cable-plugs<sup>1)</sup></b> Type 2508	Standard cable plug, 0-250 V AC/DC (standard-delivery) <sup>1)</sup>	008 376 N
	with LED, 12-24 V AC/DC	008 360 S
	with LED, 100-120 V AC/DC	008 361 P
	with LED + varistor, 12-24 V AC/DC	008 367 M
	with LED + varistor, 100-120 V AC/DC	008 368 W
	with LED + varistor, 200-240 V AC/DC	008 369 X
	(optional wirings and connection specifications see data sheet Type 2508)	

<sup>1)</sup> The standard cable plug (0-250 V AC/DC), Order-No. 008 376 N is part of the standard delivery.  
Ordering of optional cable plugs with separate ordering number.

A wide selection of further cable plugs is available (see special data sheet Type 2508)

Transparent cap, when wired with LED.

In case of special requirements please consult for advice.

We reserve the right to make technical changes without notice.

710-GB/ 2-0063