

2/2-Way; G 1/2"-2 1/2"; PN 0.2-16 bar

Advantages/Benefits

- ▶ Waterhammer-free
- ▶ Low noise
- ▶ Compact design with high flow rates
- ▶ Low maintenance
- ▶ Coil can be locked in 4x 90° positions, or move freely between, as required
- ▶ Modular solenoid coil system different sizes and power ratings
- ▶ Easy coil change
- ▶ Wide range of cable plug options Type 2508

Design/Function

The valves are based on a modular concept comprising three basic elements:
Valve assembly, push-over coil and standard cable plug.

The coil is pushed over the armature guide tube and thus isolated from the medium. The medium is only in contact with the valve internals and body.

A wide selection of pipe and orifice sizes is offered. Valves are available with threaded ports in brass.

To simplify ordering, a wide selection of standard combinations of valve body, push-over coil and standard cable plug can be ordered with one order number.

Cable plug options of Type 2508 are available to suit special electrical application requirements.

- The modular concept provides flexibility to meet application requirements.

Options:

- Manual override
- 5 W power consumption
- 2 W power consumption

Applications

Fluids

- Neutral liquids up to 16 bar
- Hot water up to 120 °C

Applications

- Process systems
- Chemical processing
- Water/ sewage treatment
- General purpose applications
- Sterilizers

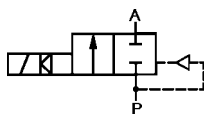
bürkert
Easy Fluid Control Systems

Technical Data

Circuit function

A 2/2-way, normally closed, with 2-way pilot control and coupled solenoid system

Symbol



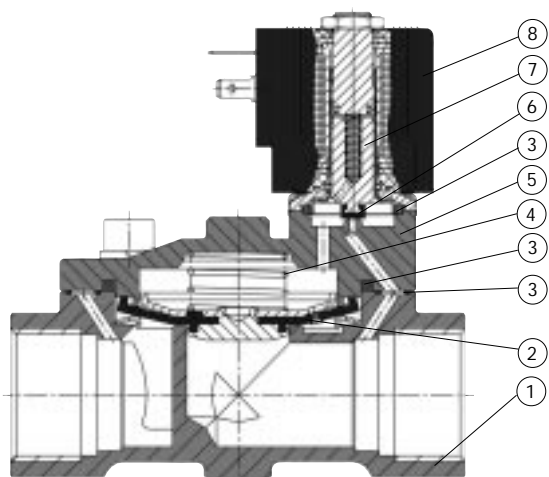
Operating Data (Valve)

Pressure range	0.2-16 bar
Port connection	G 1/2" - 2 1/2"
Fluid	Seal material NBR: Neutral liquids e.g. water, oils and fat without additives. Seal material FPM: Per-solutions, hot oils, oils with additives. Seal material EPDM: Oil and fat-free fluids, e.g. hot water, alkaline washing- and bleaching lyes.
Medium temperature	see specifications
Max. ambient temperature	+55 °C
Max. viscosity	21 mm ² /s
Response times	opening: 0.2-0.5 s closing: 1.0-4.0 s
Installation	as required, but preferably with solenoid system upright.

Operating Data (Actuator)

Operating voltages	AC 24, 110, 230 V/50-60 Hz DC 24 V/=
Voltages tolerance	±10 %
Power consumption	
Voltage (AC)	Inrush: 21 VA Hold: 12 VA/8 W
Voltage (DC)	Inrush and hold: 8 W
Duty cycle	100% continuously rated
Cycling rate	10-50 c.p.m.
Protection class with cable plug	IP 65
Electr. connection	Delivery standard: Cable plug DIN 43 650 A, 0-250 V (Other versions see accessories).

Materials



- | | | |
|---|---------------|--|
| 1 | Valve body: | Brass |
| 2 | Diaphragm: | NBR, EPDM, FPM |
| 3 | O-rings: | NBR, EPDM, FPM |
| 4 | Spring: | 1.4310 |
| 5 | Cover: | Brass |
| 6 | Plunger-seal: | NBR, EPDM, FPM |
| 7 | Plunger: | 1.4105 |
| 8 | Coil: | Polyamide ¹⁾
Epoxy ²⁾ |

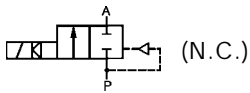
¹⁾ with NBR-sealing
²⁾ with EPDM-, FPM-sealing

Solenoid Valve, waterhammer-free, 0.2-16 bar

General Purpose

Type 5281

Specifications - Ordering Chart (Other Versions on Request)



(N.C.)

(with standard-cable plug
0-250 V AC/DC)

Temperature range -10°C ... +90°C; brass body; seal material NBR

Port connection [Inch]	Orifice [mm]	Kv-value (water) [m³/h]	Pressure Range [bar]	Seal material	Weight [kg]	ORDER - NO.			
						Voltage / Frequency			
						24/=	24/50-60	110/50-60	230/50-60
G 1/2	13.0	4.0	0.2-16	NBR	0.60	134 317 M	134 318 W	134 319 X	134 320 U
G 3/4	20.0	5.0	0.2-16	NBR	1.10	134 321 R	134 322 J	134 323 K	134 324 L
G 1	25.0	10.0	0.2-16	NBR	1.50	134 325 M	134 326 N	134 327 P	134 328 Y
G 1 1/4	32.0	20.0	0.2-16	NBR	2.25	134 329 Z	134 330 W	134 331 K	134 332 L
G 1 1/2	40.0	20.0	0.2-16	NBR	2.65	134 333 M	134 334 N	134 335 P	134 336 Q
G 2	50.0	40.0	0.2-16	NBR	4.95	134 337 R	134 338 S	134 339 T	134 340 G
G 2 1/2	65.0	40.0	0.2-16	NBR	5.70	134 341 V	134 342 W	134 343 X	134 344 Y

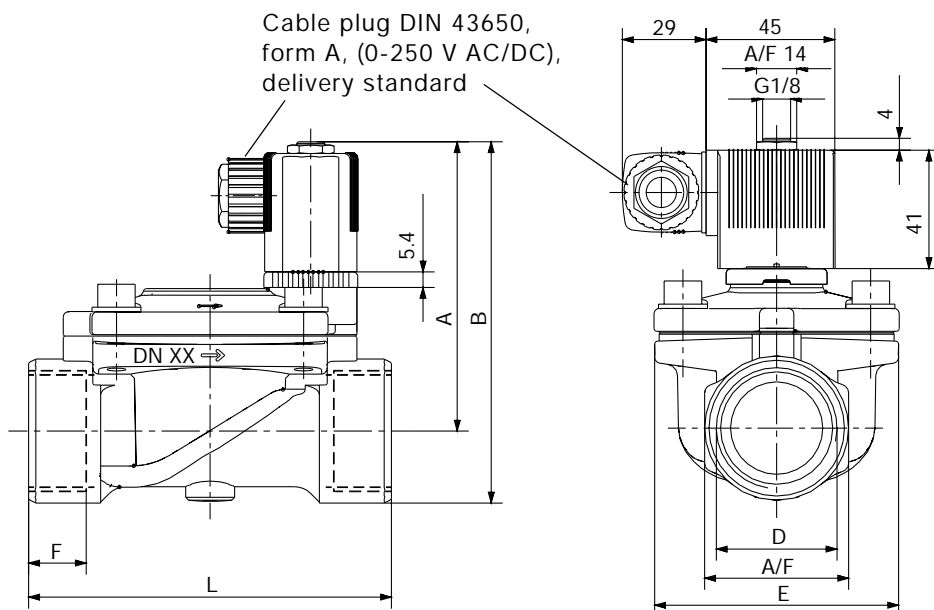
Temperature range -30°C ... +130°C; brass body, seal material EPDM

Port connection [Inch]	Orifice [mm]	Kv-value (water) [m³/h]	Pressure [bar]	Seal material	Weight [kg]	ORDER - NO.			
						Voltage / Frequency			
						24/=	24/50-60	110/50-60	230/50-60
G 1/2	13.0	4.0	0.2-16	EPDM	0.60	134 373 V	134 374 W	134 375 X	134 376 Y
G 3/4	20.0	5.0	0.2-16	EPDM	1.10	134 377 Z	134 378 A	134 379 B	134 380 Z
G 1	25.0	10.0	0.2-16	EPDM	1.50	134 381 N	134 382 P	134 383 Q	134 384 R
G 1 1/4	32.0	20.0	0.2-16	EPDM	2.25	134 385 J	134 386 K	134 387 L	134 388 V
G 1 1/2	40.0	20.0	0.2-16	EPDM	2.65	134 389 W	134 390 T	134 391 Q	134 392 R
G 2	50.0	40.0	0.2-16	EPDM	4.95	134 393 J	134 394 K	134 395 L	134 396 M
G 2 1/2	65.0	40.0	0.2-16	EPDM	5.70	134 397 N	134 398 X	134 399 Y	134 400 W

Temperature range -10°C ... +130°C; brass body; seal material FPM

Port connection [Inch]	Orifice [mm]	Kv-value (water) [m³/h]	Pressure [bar]	Seal material	Weight [kg]	ORDER - NO.			
						Voltage / Frequency			
						24/=	24/50-60	110/50-60	230/50-60
G 1/2	13.0	4.0	0.2-16	FPM	0.60	134 345 Z	134 346 S	134 347 T	134 348 C
G 3/4	20.0	5.0	0.2-16	FPM	1.10	134 349 D	134 350 A	134 351 X	134 352 Y
G 1	25.0	10.0	0.2-16	FPM	1.50	134 353 Z	134 354 S	134 355 T	134 356 U
G 1 1/4	32.0	20.0	0.2-16	FPM	2.25	134 357 V	134 358 E	134 359 F	134 360 C
G 1 1/2	40.0	20.0	0.2-16	FPM	2.65	134 361 Z	134 362 S	134 363 T	134 364 U
G 2	50.0	40.0	0.2-16	FPM	4.95	134 365 V	134 366 W	134 367 X	134 368 G
G 2 1/2	65.0	40.0	0.2-16	FPM	5.70	134 369 H	134 370 E	134 371 T	134 372 U

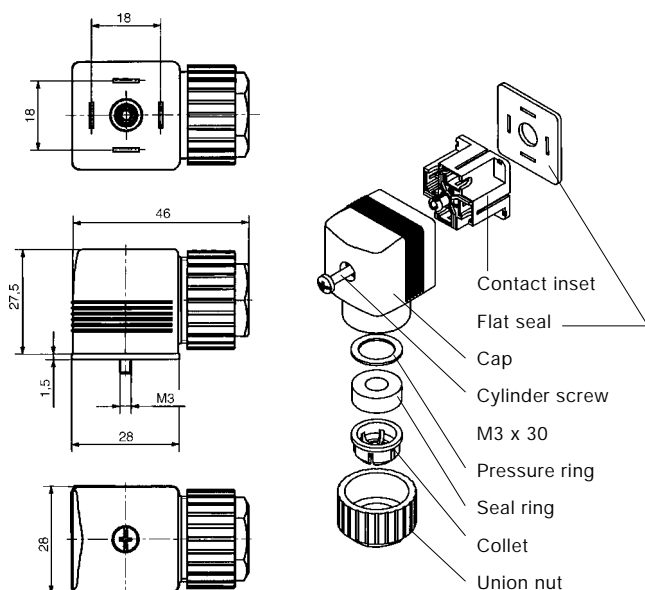
Dimensions (in mm)



Variable Dimensions

Port-connection D	Orifice [mm]	A	B	F	E	L	A/F
G 1/2	13,0	86,0	100,0	14,0	40	65	27
G 3/4	20,0	91,5	107,5	16,0	60	100	32
G 1	25,0	95,5	116,0	18,0	70	115	41
G 1 1/4	32,0	101,5	126,5	20,0	85	126	50
G 1 1/2	40,0	105,5	135,5	22,0	85	126	60
G 2	50,0	122,2	157,2	24,0	115	164	70
G 2 1/2	65,0	122,2	157,2	27,0	115	180	85

Dimensions Accessories (in mm)



Transparent cap, when wired with LED.

Ordering Chart for Accessories

Device/Accessory	Features	Order-No.
Cable-plugs ¹⁾ Type 2508	Standard cable plug, 0-250 V AC/DC (standard-delivery) ¹⁾	008 376 N
	with LED, 12-24 V AC/DC	008 360 S
	with LED, 100-120 V AC/DC	008 361 P
	with LED + varistor, 12-24 V AC/DC	008 367 M
	with LED + varistor, 100-120 V AC/DC	008 368 W
	with LED + varistor, 200-240 V AC/DC	008 369 X
	(optional wirings and connection specifications see data sheet Type 2508)	

¹⁾ The standard cable plug (0-250 V AC/DC), Order-No. 008 376 N is part of the standard delivery. Ordering of optional cable plugs with separate ordering number.

A wide selection of further cable plugs is available (see special data sheet Type 2508)