

2/2-Way; Flange; DN 25-50 mm; PN 0.2-16 bar



### Advantages/Benefits

- ▶ Waterhammer-free
- ▶ Low noise
- ▶ Low maintenance
- ▶ Coil can be locked in 4x 90° positions, or move freely between, as required
- ▶ Modular solenoid coil system different sizes and power ratings
- ▶ Easy coil change
- ▶ Wide range of cable plug options Type 2508

### Design/Function

The valves are based on a modular concept comprising three basic elements: Valve assembly, push-over coil and standard cable plug.

The coil is pushed over the armature guide tube and thus isolated from the medium. The medium is only in contact with the valve internals and body.

A wide selection of pipe and orifice sizes is offered. Valves are also available with threaded ports in brass.

To simplify ordering, a wide selection of standard combinations of valve body, push-over coil and standard cable plug can be ordered with one order number.

Cable plug options of Type 2508 are available to suit special electrical application requirements.

- The modular concept provides flexibility to meet application requirements.

#### Options:

- Manual override
- 5 W power consumption
- 2 W power consumption

### Applications

#### Fluids

- Neutral liquids up to 16 bar
- Hot water up to 90 °C

#### Applications

- Industrial applications
- Paper industry
- Process systems
- Chemical processing
- Water/ sewage treatment
- General purpose applications
- Ship building industry

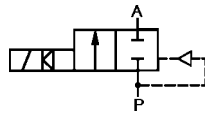
**burkert**  
Easy Fluid Control Systems

Technical Data

Circuit function

Symbol

A 2/2-way, normally closed, with 2-way pilot control and coupled solenoid system



Operating Data (Valve)

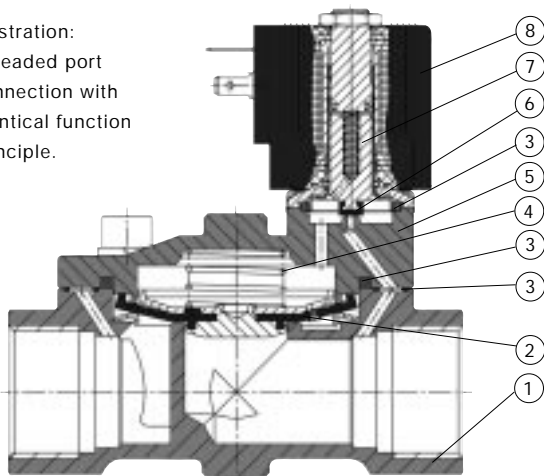
Pressure range	0.2-16 bar
Port connection	Flange (DIN 2501)
Fluid	Seal material NBR: Neutral liquids e.g. water, oils and fat without additives. Seal material FPM: Per-solutions, hot oils, oils with additives Seal material EPDM: Oil and fat-free fluids, e.g. hot water, alkaline washing- and bleaching lyes.
Medium temperature	-10 ... +90 °C
Max. ambient temperature	+55 °C
Max. viscosity	21 mm <sup>2</sup> /s
Response times	opening: 0.2-0.5 s closing: 1.0-4.0 s
Installation	as required, but preferably with solenoid system upright

Operating Data (Actuator)

Operating voltages	AC 24, 110, 230 V/50 Hz DC 24 V/=
Voltages tolerance	±10 %
Power consumption	
Voltage (AC)	Inrush: 21 VA Hold: 12 VA/8 W
Voltage (DC)	Inrush and hold: 8 W
Duty cycle	100% continuously rated
Cycling rate	10-50 c.p.m.
Rating with cable plug	IP 65
Electr. connection	Delivery standard: Cable plug DIN 43 650 A, 0-250 V (Other versions see accessories).

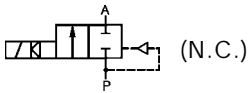
Materials

Illustration:  
Threaded port connection with identical function principle.



1 Valve body:	Grey cast iron with stainless steel seat
2 Diaphragm:	NBR (EPDM, FPM on request)
3 O-rings:	NBR (EPDM, FPM on request)
4 Spring:	1.4310
5 Cover:	Brass
6 Plunger-seal:	NBR (EPDM, FPM on request)
7 Plunger:	1.4105
8 Coil:	PA (Polyamide)

Specifications - Ordering Chart (Other Versions on Request)



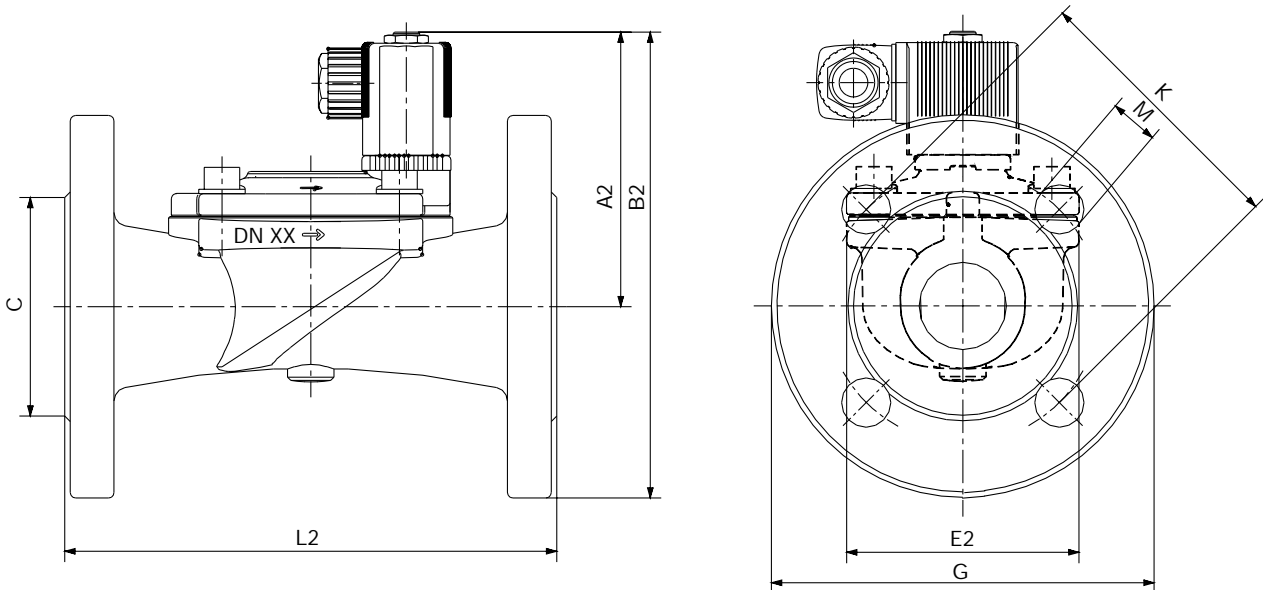
(with standard-cable plug  
0-250 V AC/DC)

Valve body: grey cast iron

Port connection [Inch]	Orifice [mm]	Kv-value (water) [m <sup>3</sup> /h]	Pressure [bar]	Seal material <sup>1)</sup>	Weight [kg]	ORDER - NO.			
						Voltage / Frequency [V/Hz]			
						24/=	24/50-60	110/50-60	230/50-60
Flange	25.0	10.0	0.2-16	NBR	4.15	134 401 K	134 402 L	134 403 M	134 404 N
Flange	32.0	20.0	0.2-16	NBR	6.25	134 405 P	134 406 Q	134 407 R	134 408 S
Flange	40.0	20.0	0.2-16	NBR	6.45	134 409 T	134 410 P	134 411 C	134 412 D
Flange	50.0	40.0	0.2-16	NBR	9.75	134 413 E	134 414 F	134 415 G	134 416 H

<sup>1)</sup> EPDM, FPM-seal on request

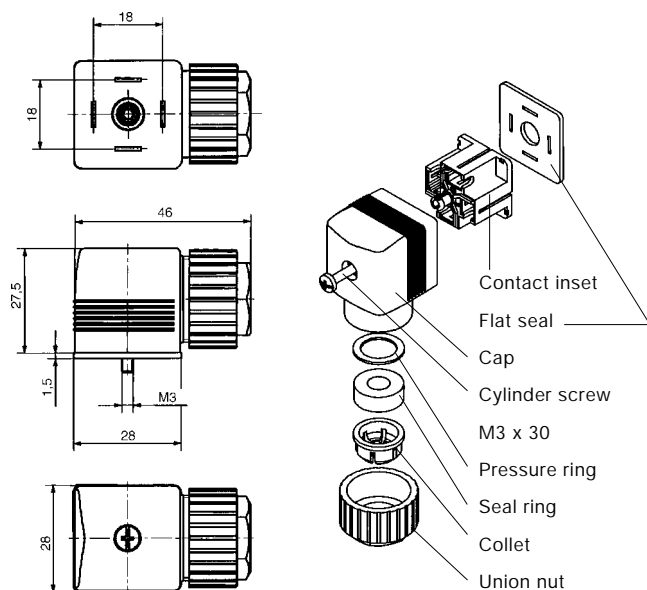
Dimensions (in mm)



Variable Dimensions

Port-connection	Orifice [mm]	A2	B2	C	E2	G	L2	M	K
		Flange	25,0	99.5	159.5	68	73	120	160
Flange	32,0	101.5	171.5	78	85	140	180	18	100
Flange	40,0	105.5	180.5	88	85	150	200	18	110
Flange	50,0	122.2	204.7	102	115	165	230	18	125

Dimensions Accessories (in mm)



Ordering Chart for Accessories

Device/Accessory	Features	Order-No.
Cable-plugs <sup>1)</sup> Type 2508	Standard cable plug, 0-250 V AC/DC (standard-delivery) <sup>1)</sup>	008 376 N
	with LED, 12-24 V AC/DC	008 360 S
	with LED, 100-120 V AC/DC	008 361 P
	with LED + varistor, 12-24 V AC/DC	008 367 M
	with LED + varistor, 100-120 V AC/DC	008 368 W
	with LED + varistor, 200-240 V AC/DC	008 369 X
	(optional wirings and connection specifications see data sheet Type 2508)	

<sup>1)</sup> The standard cable plug (0-250 V AC/DC), Order-No. 008 376 N is part of the standard delivery. Ordering of optional cable plugs with separate ordering number.

A wide selection of further cable plugs is available (see special data sheet Type 2508)