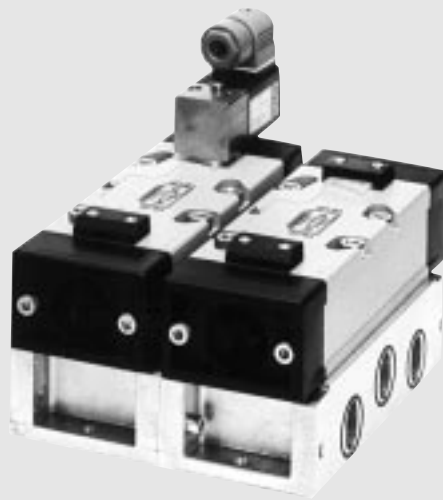


5/2 and 5/3 ISO 4



Advantages/Benefits

- ▶ Conforms to ISO 5599-1
- ▶ High flow connections up to G 3/4 or N.P.T.
- ▶ Long life 10 million cycles

Design and Function

The body is a zinc die cast construction in which is inserted a plate brass insert.

The spool is anodised aluminium and fitted with O-ring seals, and when necessary return springs.

The end covers, also in zinc die cast, contain the manual overrides, fitted as standard equipment.

The valve to sub-base seal is assured by 4 fixing screws and a special formed nitrile seal.

- Safety. Manual operator fitted as standard to main valve.
- Low power consumption
- Easy selection of pilot functions
- Low inventory levels

Applications

- Pulp and paper industry
- Food and beverage
- Energy (utilities)
- General engineering
- Petro-chemical

bürkert
Easy Fluid Control Systems

Pneumatic Directional Control Valves

Technical Data

Circuit Functions

H.N.L

5/2 Bistable	5/2 Monostable	5/2 Differential spring return	5/3 Pressure held neutral	5/3 Pressure ex- hausted neutral

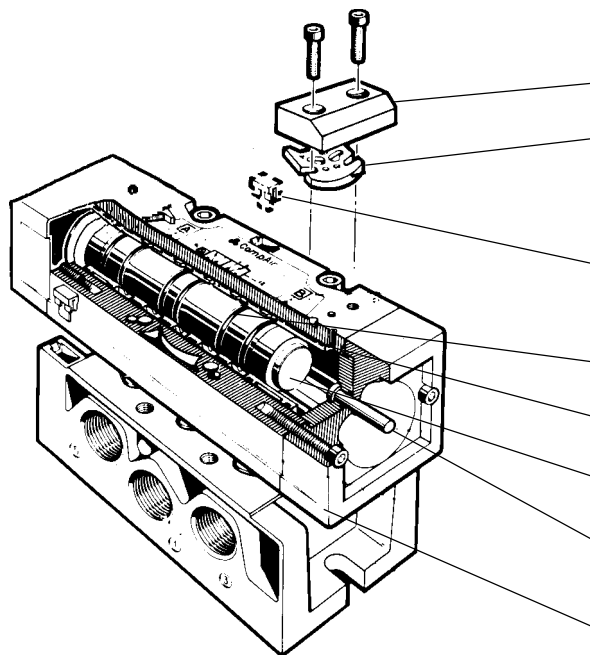
Specifications

Temperature Range	Qn-Value			Pressure Range	
	Air	[NI/min]	[cv]	External pilot pressure when main pressure is 6bar	Internal pilot (main) pressure
Operating +5°C - 60°C	1/2"	7350	5,25	1,5	2 - 12 with air spring
Storage -20°C - +80°C	3/4"	9315	6,65	2,5	2 - 12 with spring return
				2,2	2 - 12 with differential pressure
				2,5	2 - 12 for 5/3 function
				as above	2 - 10 for Ex-proof valves

Air condition filtered 50 μ , dry lubricated

All pressures quoted are gauge pressures with respect to the prevailing atmospheric pressure.

Material Specification



Topcover: - Zinc Alloy

Operator
Function
Selector: - Polyester

Function
Indicator: - Polyamid

Seals: - NBR

Sleeve: - Plated Brass

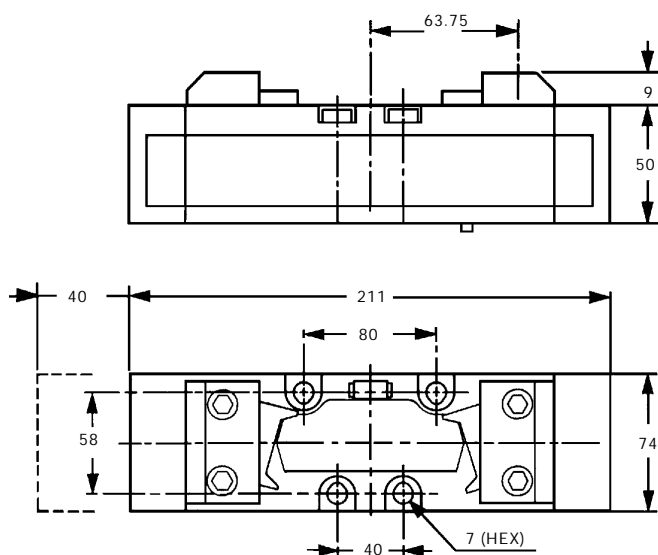
Spool: - Anodised Aluminium

Manual:
Override: - Polyamid Reinforced
- Fiberglass

Body: - Die Cast Zinc Alloy

Pilot Operators: - See Page 4

Dimensions in mm



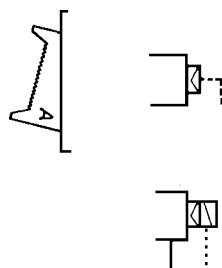
Weight: 2'660g

Internal or External Pilot Selection

The selector seals are located on each side of the upper face of the Type 451 valve. These enable the selection of an internal or an external pilot supply

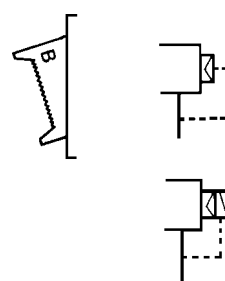
The position of the selector can be modified without removing the top cover or solenoid pilot, by simply loosening the fixing screws.

Position A



External pilot supply through port 12 or 14

Position B



Internal pilot supply through port 1

With the selector in position B the pneumatic spring is created for valves with differential pressure control

Ordering Chart

Solenoid operated valves are supplied without selector top cover and without solenoid.

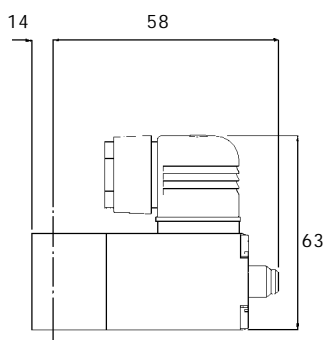
Function	5/2 Bistable	5/2 Monostable	5/2 Differential spring return	5/3 Pressure held neutral	5/3 Pressure ex- hausted neutral
ISO 4	415 063L	415 463J	415 464K	415 465L	415 466M

Standard multifunction valve: air operated which can be converted to solenoid operated valves by removing selector(s) cover(s). Supplied with selector(s) cover(s).

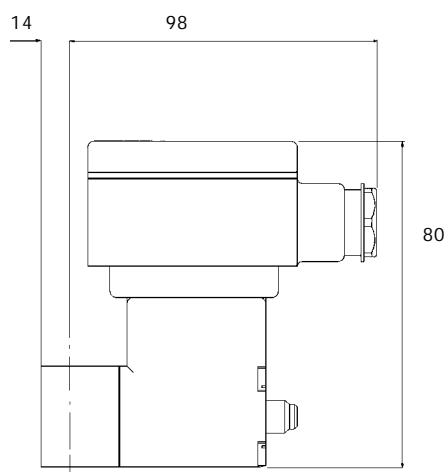
Function	5/2 Bistable	5/2 Monostable	5/2 Differential spring return	5/3 Pressure held neutral	5/3 Pressure ex- hausted neutral
ISO 4	415 470V	415 471J	415 472K	415 473L	415 474M

Operator Options

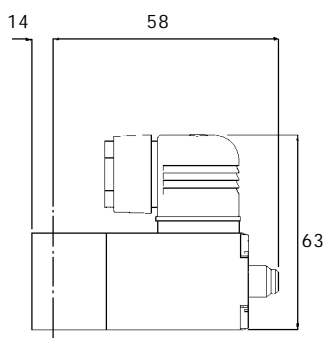
Standard solenoid



EEx ed II C T5



EEx ia II C T6



Selector Cover (Pneumatic Operator)



Standard solenoid

24/=	416 002R
24/50-60	416 003J
48/50-60	416 204Y
110-120/50-60	416 004K
220-240/50-60	416 005L

EEX ed II C T5

24/GR	416 007N
48/GR	416 206S
110-120/GR	416 009Y
220-240/GR	416 011H

EEX ia II C T6

24/=	416 012A
------	----------

Size	Kit Pcs	Order No
1 2 3	100	415 504L
4	50	415 505M