

Display - Process Indicator



4002

Universal Remote Display

- ✓ **Process display with 4...20 mA**
- ✓ **The sensor is powered from the display**
- ✓ **Totalizer function**
- ✓ **Teach-in calibration program**

The 4002 display provides various possibilities for connection of industrial transmitters. It enables to show process values and the threshold values. It is also equipped with a function for totalizing the connected process value over time. The linearity function permits the monitoring and indication of indirect process values. Optionally an analog card and an alarm card with two inverted relay outputs are available. The sensor is directly powered from the display (2-wire or 3-wire version) and the process value is transmitted via a 4...20 mA circuit.

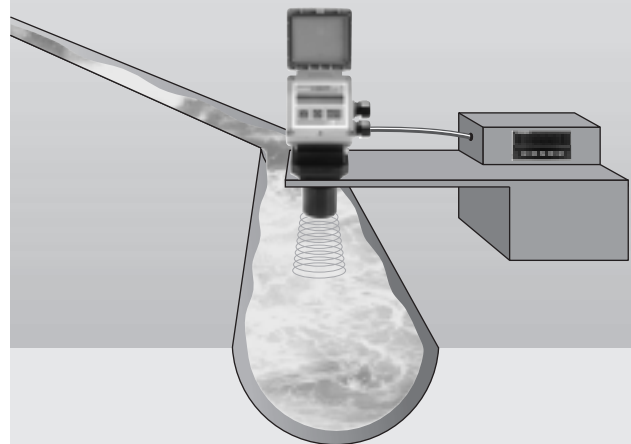
Process Specification

Display type	5 digits (14.2 mm) red LED
Power supply	85 - 250 VAC, 50 - 60 Hz, 15 VA
Keypad	5 keys
Display	<ul style="list-style-type: none"> • Process value • Max./min. value • Totalizer
Linearisation	16 points
Sampling rate	20 Hz
Output	
Control voltage	24 VDC +/-5%
Max. current cons. (3-wire)	100 mA
Time base for totalizer	Sec, min, hours, days
Front panel	IP65 protection
Temperatures	
Ambient	0°C... +50°C
Storage	-40°C... +60°C
Humidity	0... 85%
Safety	EN 61010-1, IEC 1010-1
Standards	
Emission	EN 50081-2
Protection	EN 50082-2

Application: • Connection of ANY transmitter with 4...20 mA Output

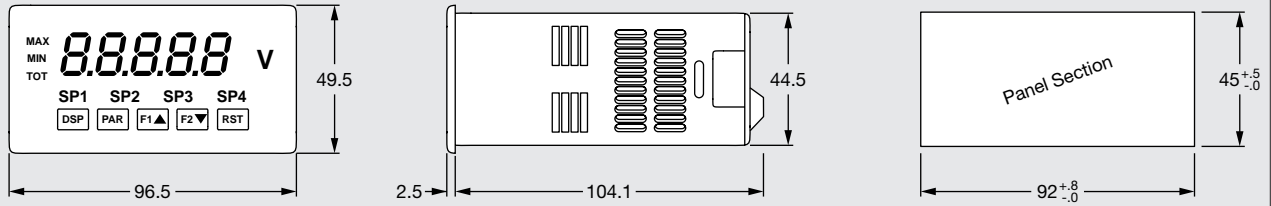
- Easy* Flow Control
- Easy* Analytical Control
- Easy* Temperature Control
- Easy* Level Control
- Easy* Pressure Control

Measurement of the output of an open channel with totalisation



Display - Process Indicator

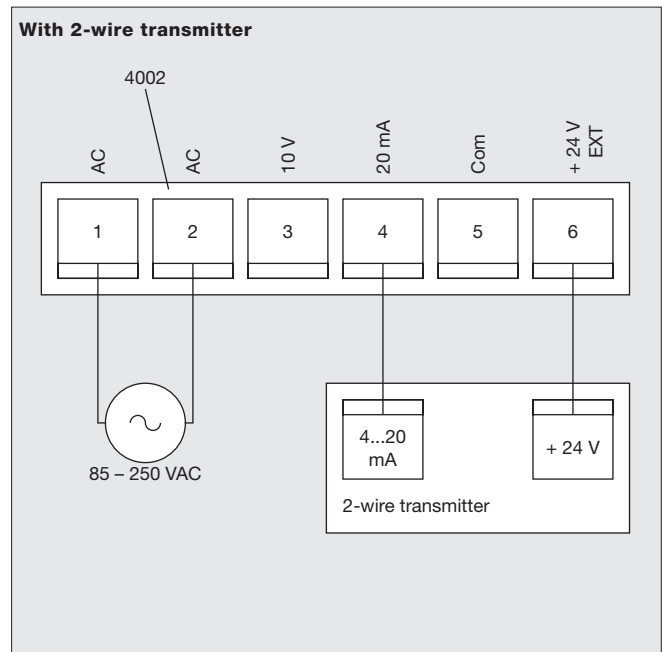
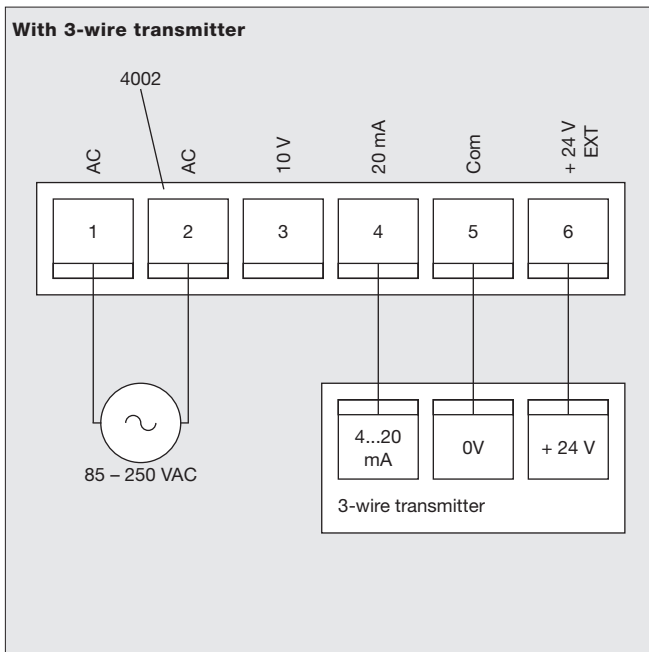
Dimensions [mm]



Ordering chart

Description	Item-No.
Main Unit	
Display - Process Indicator 4002	433 625 N
Optional Accessories	Item-No.
Analog card for 4002 (4...20 mA)	433 623 L
Dual relay card for 4002	433 624 M

Electrical connections



In case of special application requirements, please consult for advice.

We reserve the right to make technical changes without notice.
203-GB/ 1-0265