

2/2-Way Diaphragm Valve, Manually Operated Forged Stainless Steel Body with Tri-Clamp® Connection

Isolating Diaphragm Valve



3233

DN 8 - 50

- ✓ Fully integrated in Burkert's Easy Process Control Systems
- ✓ Hermetical separation of fluids from the operating mechanism by diaphragm
- ✓ Visual position indication
Optionally with locking function (\geq DN15)
- ✓ Various surface finishes
- ✓ Quality certifications FDA /

3233

The Burkert diaphragm valve systems with forged stainless steel valve bodies are designed for control of ultra-pure, sterile, aggressive or abrasive fluids. They separate hermetically critical fluids from the actuator by chemical neutral high quality diaphragms.

The zero dead volume body, combined with various surface finishes allows a wide range of applications. They offer a range of different materials for the bonnet and the manual actuator.

Technical Data

Connections	<ul style="list-style-type: none"> • ISO 2852 - SMS 3017 • ASME BPE Long • ASME BPE Short • DIN 32676
Medium pressure	0 up to 10 bar
Temperatures	
Medium	-10°C ... +130°C (short +150°C)
Ambient	+5°C ... +140°C
Materials	
Valve body	Forged stainless steel 316L / 1.4435 / BN2 Fe < 0.5% / C ≤ 0.03%
Diaphragm	EPDM, PTFE
Manual Actuator	PPS, Stainless Steel 1.4581
Bonnet	PPS, Stainless Steel 1.4581
Flow direction	Bi-direct

Specifications

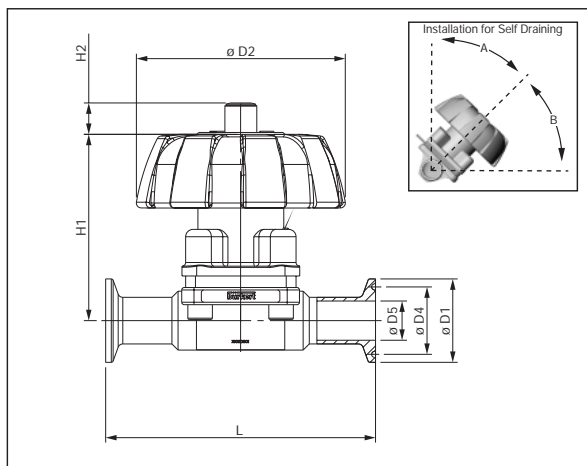
Orifice DN	Kv-Value Water	Weight		
		Manual Actuator / Bonnet		
[mm]	[m³/h]	PPS / PPS [kg]	PPS / St.St. [kg]	St.St. / St.St. [kg]
8.0	1.0	0.3	0.4	0.9
10.0	1.0	0.3	0.4	0.9
15.0	6.0	0.6	0.7	1.2
20.0	11.0	0.9	1.0	1.8
25.0	16.0	1.6	1.8	2.2
40.0	29.0	3.1	3.4	4.2
50.0	50.0	3.7	4.2	5.2

- Applications:**
- Designed for high quality and purity requirements of:
 - Pharmaceutical industry
 - Biotechnology
 - Semicon
 - Minimum contamination in process systems



2/2-Way Diaphragm Valve, Manually Operated Forged Stainless Steel Body with Tri-Clamp® Connection

Dimensions [mm]



Self Draining Angles (depending on orifice)

Orifice DN	NPS	Angle -A-	Angle -B-
[mm]	[inch]		
8.0	1/4"	55°	35°
10.0	3/8"	55°	35°
15.0	1/2"	64°	26°
20.0	3/4"	62°	28°
25.0	1"	67°	23°
40.0	1 1/2"	67°	23°
50.0	2"	68°	22°

ISO 2852 - SMS 3017 Connection

Orifice DN	L	H1	H2	D2	D1	D4	D5
[mm]	[mm]	[mm]	[mm]	ø [mm]	ø [mm]	ø [mm]	ø [mm]
25.0	129.0	94.0	12.0	80.0	50.5	43.5	22.6
25.0	129.0	94.0	12.0	80.0	50.5	43.5	22.6
40.0	161.0	116.0	19.0	114.0	50.5	43.5	35.6
40.0	161.0	116.0	19.0	114.0	50.5	43.5	35.6
50.0	192.0	133.0	25.0	114.0	64.0	56.5	48.6
50.0	192.0	133.0	25.0	114.0	64.0	56.5	48.6

DIN 32676 Connection

Orifice DN	L	H1	H2	D2	D1	D4	D5
[mm]	[mm]	[mm]	[mm]	ø [mm]	ø [mm]	ø [mm]	ø [mm]
15.0	110.0	85.0	7.0	80.0	34.0	27.5	16.0
15.0	110.0	85.0	7.0	80.0	34.0	27.5	16.0
20.0	119.0	93.0	11.0	80.0	34.0	27.5	20.0
20.0	119.0	93.0	11.0	80.0	34.0	27.5	20.0
25.0	129.0	94.0	12.0	80.0	50.5	43.5	26.0
25.0	129.0	94.0	12.0	80.0	50.5	43.5	26.0
40.0	161.0	116.0	19.0	114.0	50.5	43.5	38.0
40.0	161.0	116.0	19.0	114.0	50.5	43.5	38.0
50.0	192.0	133.0	25.0	114.0	64.0	56.5	50.0
50.0	192.0	133.0	25.0	114.0	64.0	56.5	50.0

ASME BPE Long Connection

Orifice DN	NPS	L	H1	H2	D2	D1	D4	D5
[mm]	[inch]	[mm]	[mm]	[mm]	ø [mm]	ø [mm]	ø [mm]	ø [mm]
8.0	1/4"	78.0	56.0	-	35.0	25.0	-	3.95
10.0	3/8"	89.0	56.0	-	35.0	25.0	-	7.13
15.0	1/2"	108.0	85.0	7.0	80.0	25.0	-	9.40
15.0	1/2"	108.0	85.0	7.0	80.0	25.0	-	9.40
20.0	3/4"	117.0	93.0	11.0	80.0	25.0	-	15.75
20.0	3/4"	117.0	93.0	11.0	80.0	25.0	-	15.75
25.0	1"	127.0	94.0	12.0	80.0	50.5	43.5	22.20
25.0	1"	127.0	94.0	12.0	80.0	50.5	43.5	22.20
40.0	1 1/2"	159.0	116.0	19.0	114.0	50.5	43.5	34.90
40.0	1 1/2"	159.0	116.0	19.0	114.0	50.5	43.5	34.90
50.0	2"	190.0	133.0	25.0	114.0	64.0	56.5	47.60
50.0	2"	190.0	133.0	25.0	114.0	64.0	56.5	47.60

ASME BPE Short Connection

Orifice DN	NPS	L	H1	H2	D2	D1	D4	D5
[mm]	[inch]	[mm]	[mm]	[mm]	ø [mm]	ø [mm]	ø [mm]	ø [mm]
8.0	1/4"	64.5	56.0	-	35.0	25.0	-	3.95
10.0	3/8"	89.0	56.0	-	35.0	25.0	-	7.13
15.0	1/2"	89.0	85.0	7.0	80.0	25.0	-	9.40
15.0	1/2"	89.0	85.0	7.0	80.0	25.0	-	9.40
20.0	3/4"	102.0	93.0	11.0	80.0	25.0	-	15.75
20.0	3/4"	102.0	93.0	11.0	80.0	25.0	-	15.75
25.0	1"	114.0	94.0	12.0	80.0	50.5	43.5	22.20
25.0	1"	114.0	94.0	12.0	80.0	50.5	43.5	22.20
40.0	1 1/2"	140.0	116.0	19.0	114.0	50.5	43.5	34.90
40.0	1 1/2"	140.0	116.0	19.0	114.0	50.5	43.5	34.90
50.0	2"	159.0	133.0	25.0	114.0	64.0	56.5	47.60
50.0	2"	159.0	133.0	25.0	114.0	64.0	56.5	47.60

2/2-Way Diaphragm Valve, Manually Operated Forged Stainless Steel Body with Tri-Clamp® Connection

Isolating Diaphragm Valve

3233

Specifications - Ordering Chart (Other Versions on Request) for ISO 2852 - SMS 3017 Connection

Orifice DN	Connection D1	Surface finish *1. Standard – Satin finished *2. Electro polished *3. Mech. polished – Satin finished *4. Electro polished *5. Mirror finished	Item-No.							
			Manual Actuator/Bonnet PPS / PPS		Manual Actuator/Bonnet PPS / SS		Manual Actuator/Bonnet SS / SS			
			EPDM Diaphragm	PTFE Diaphragm	EPDM Diaphragm	PTFE Diaphragm	EPDM Diaphragm	PTFE Diaphragm		
[mm]	[mm]	[µm]								
25.0	Clamp 50.5	*1. External Ra<6.3 – Internal Ra<0.5	445 723 U	445 738 B	446 410 Y	446 425 K	446 967 S	446 982 J		
25.0	Clamp 50.5	*2. External Ra<3.2 – Internal Ra<0.4	445 724 V	445 739 C	446 411 M	446 426 L	446 968 B	446 983 K		
25.0	Clamp 50.5	*3. External Ra<1.6 – Internal Ra<0.5	445 725 W	445 740 R	446 412 N	446 427 M	446 969 C	446 984 L		
25.0	Clamp 50.5	*4. External Ra<0.8 – Internal Ra<0.4	445 726 X	445 741 E	446 413 P	446 428 W	446 970 H	446 985 M		
25.0	Clamp 50.5	*5. External Ra<0.25 – Internal Ra<0.25	445 727 Y	445 742 F	446 414 Q	446 429 X	446 971 W	446 986 N		
40.0	Clamp 50.5	*1. External Ra<6.3 – Internal Ra<0.5	445 728 H	445 743 G	446 415 R	446 430 U	446 972 X	446 987 P		
40.0	Clamp 50.5	*2. External Ra<3.2 – Internal Ra<0.4	445 729 A	445 744 H	446 416 J	446 431 R	446 973 Y	446 988 Y		
40.0	Clamp 50.5	*3. External Ra<1.6 – Internal Ra<0.5	445 730 F	445 745 A	446 417 K	446 432 J	446 974 Z	446 989 Z		
40.0	Clamp 50.5	*4. External Ra<0.8 – Internal Ra<0.4	445 731 U	445 746 B	446 418 U	446 433 K	446 975 S	446 990 W		
40.0	Clamp 50.5	*5. External Ra<0.25 – Internal Ra<0.25	445 732 V	445 747 C	446 419 V	446 434 L	446 976 T	446 991 K		
50.0	Clamp 64.0	*1. External Ra<6.3 – Internal Ra<0.5	445 733 W	445 748 M	446 420 S	446 435 M	446 977 U	446 992 L		
50.0	Clamp 64.0	*2. External Ra<3.2 – Internal Ra<0.4	445 734 X	445 749 N	446 421 P	446 436 N	446 978 D	446 993 M		
50.0	Clamp 64.0	*3. External Ra<1.6 – Internal Ra<0.5	445 735 Y	445 750 K	446 422 Q	446 437 P	446 979 E	446 994 N		
50.0	Clamp 64.0	*4. External Ra<0.8 – Internal Ra<0.4	445 736 Z	445 751 G	446 423 R	446 438 Y	446 980 U	446 995 P		
50.0	Clamp 64.0	*5. External Ra<0.25 – Internal Ra<0.25	445 737 S	445 752 H	446 424 J	446 439 Z	446 981 R	446 996 O		

Specifications - Ordering Chart (Other Versions on Request) for ASME BPE Long Connection

Orifice DN	NPS	Connection D1	Surface finish *1. Standard – Satin finished *2. Electro polished *3. Mech. polished – Satin finished *4. Electro polished *5. Mirror finished	Item-No.						
				Manual Actuator/Bonnet PPS / PPS		Manual Actuator/Bonnet PPS / SS		Manual Actuator/Bonnet SS / SS		
				EPDM Diaphragm	PTFE Diaphragm	EPDM Diaphragm	PTFE Diaphragm	EPDM Diaphragm	PTFE Diaphragm	
[mm]	[inch]	[mm]	[µm]							
8.0	1/4"	Clamp 25.0	*1. External Ra<6.3 – Internal Ra<0.5	445 753 A	445 788 E	446 440 E	446 475 V	446 997 R	447 032 M	
8.0	1/4"	Clamp 25.0	*2. External Ra<3.2 – Internal Ra<0.4	445 754 B	445 789 F	446 441 T	446 476 W	446 998 S	447 033 N	
8.0	1/4"	Clamp 25.0	*3. External Ra<1.6 – Internal Ra<0.5	445 755 C	445 790 C	446 442 U	446 477 X	446 999 T	447 034 P	
8.0	1/4"	Clamp 25.0	*4. External Ra<0.8 – Internal Ra<0.4	445 756 D	445 791 Z	446 443 V	446 478 G	447 000 A	447 035 Q	
8.0	1/4"	Clamp 25.0	*5. External Ra<0.25 – Internal Ra<0.25	445 757 E	445 792 S	446 444 W	446 479 H	447 001 X	447 036 R	
10.0	3/8"	Clamp 25.0	*1. External Ra<6.3 – Internal Ra<0.5	445 758 P	445 793 T	446 445 X	446 480 X	447 002 Y	447 037 J	
10.0	3/8"	Clamp 25.0	*2. External Ra<3.2 – Internal Ra<0.4	445 759 Q	445 794 U	446 446 Y	446 481 L	447 003 Z	447 038 T	
10.0	3/8"	Clamp 25.0	*3. External Ra<1.6 – Internal Ra<0.5	445 760 M	445 795 V	446 447 Z	446 482 M	447 004 S	447 039 U	
10.0	3/8"	Clamp 25.0	*4. External Ra<0.8 – Internal Ra<0.4	445 761 A	445 796 W	446 448 A	446 483 N	447 005 T	447 040 H	
10.0	3/8"	Clamp 25.0	*5. External Ra<0.25 – Internal Ra<0.25	445 762 B	445 797 X	446 449 B	446 484 P	447 006 U	447 041 W	
15.0	1/2"	Clamp 25.0	*1. External Ra<6.3 – Internal Ra<0.5	445 763 C	445 798 G	446 450 G	446 485 Q	447 007 V	447 042 X	
15.0	1/2"	Clamp 25.0	*2. External Ra<3.2 – Internal Ra<0.4	445 764 D	445 799 H	446 451 V	446 486 R	447 008 E	447 043 Y	
15.0	1/2"	Clamp 25.0	*3. External Ra<1.6 – Internal Ra<0.5	445 765 E	445 800 F	446 452 W	446 487 J	447 009 F	447 044 Z	
15.0	1/2"	Clamp 25.0	*4. External Ra<0.8 – Internal Ra<0.4	445 766 F	445 801 U	446 453 X	446 488 T	447 010 T	447 045 S	
15.0	1/2"	Clamp 25.0	*5. External Ra<0.25 – Internal Ra<0.25	445 767 G	445 802 V	446 454 Y	446 489 U	447 011 Q	447 046 T	
20.0	3/4"	Clamp 25.0	*1. External Ra<6.3 – Internal Ra<0.5	445 768 R	445 803 W	446 455 Z	446 490 Z	447 012 R	447 047 U	
20.0	3/4"	Clamp 25.0	*2. External Ra<3.2 – Internal Ra<0.4	445 769 J	445 804 X	446 456 S	446 491 N	447 013 J	447 048 D	
20.0	3/4"	Clamp 25.0	*3. External Ra<1.6 – Internal Ra<0.5	445 770 P	445 805 Y	446 457 T	446 492 P	447 014 K	447 049 E	
20.0	3/4"	Clamp 25.0	*4. External Ra<0.8 – Internal Ra<0.4	445 771 C	445 806 Z	446 458 C	446 493 Q	447 015 L	447 050 B	
20.0	3/4"	Clamp 25.0	*5. External Ra<0.25 – Internal Ra<0.25	445 772 D	445 807 S	446 459 D	446 494 R	447 016 M	447 051 Y	
25.0	1"	Clamp 50.5	*1. External Ra<6.3 – Internal Ra<0.5	445 773 E	445 808 B	446 460 A	446 495 J	447 017 N	447 052 Z	
25.0	1"	Clamp 50.5	*2. External Ra<3.2 – Internal Ra<0.4	445 774 F	445 809 C	446 461 X	446 496 K	447 018 X	447 053 S	
25.0	1"	Clamp 50.5	*3. External Ra<1.6 – Internal Ra<0.5	445 775 G	445 810 Y	446 462 Y	446 497 L	447 019 Y	447 054 T	
25.0	1"	Clamp 50.5	*4. External Ra<0.8 – Internal Ra<0.4	445 776 H	445 811 M	446 463 Z	446 498 V	447 020 V	447 055 U	
25.0	1"	Clamp 50.5	*5. External Ra<0.25 – Internal Ra<0.25	445 777 A	445 812 N	446 464 S	446 499 W	447 021 J	447 056 V	
40.0	1 1/2"	Clamp 50.5	*1. External Ra<6.3 – Internal Ra<0.5	445 778 K	445 813 P	446 465 T	446 500 B	447 022 K	447 057 W	
40.0	1 1/2"	Clamp 50.5	*2. External Ra<3.2 – Internal Ra<0.4	445 779 L	445 814 Q	446 466 U	446 501 Y	447 023 L	447 058 F	
40.0	1 1/2"	Clamp 50.5	*3. External Ra<1.6 – Internal Ra<0.5	445 780 A	445 815 R	446 467 V	446 502 Z	447 024 M	447 059 G	
40.0	1 1/2"	Clamp 50.5	*4. External Ra<0.8 – Internal Ra<0.4	445 781 X	445 816 J	446 468 E	446 503 S	447 025 N	447 060 D	
40.0	1 1/2"	Clamp 50.5	*5. External Ra<0.25 – Internal Ra<0.25	445 782 Y	445 817 K	446 469 F	446 504 T	447 026 P	447 061 S	
50.0	2"	Clamp 64.0	*1. External Ra<6.3 – Internal Ra<0.5	445 783 Z	445 818 U	446 470 C	446 505 U	447 027 Q	447 062 T	
50.0	2"	Clamp 64.0	*2. External Ra<3.2 – Internal Ra<0.4	445 784 S	445 819 V	446 471 Z	446 506 V	447 028 Z	447 063 U	
50.0	2"	Clamp 64.0	*3. External Ra<1.6 – Internal Ra<0.5	445 785 T	445 820 S	446 472 S	446 507 W	447 029 S	447 064 V	
50.0	2"	Clamp 64.0	*4. External Ra<0.8 – Internal Ra<0.4	445 786 U	445 821 P	446 473 T	446 508 F	447 030 X	447 065 W	
50.0	2"	Clamp 64.0	*5. External Ra<0.25 – Internal Ra<0.25	445 787 V	445 822 Q	446 474 U	446 509 G	447 031 L	447 066 X	

2/2-Way Diaphragm Valve, Manually Operated Forged Stainless Steel Body with Tri-Clamp® Connection

Specifications - Ordering Chart (Other Versions on Request) for ASME BPE Short Connection

Orifice DN	NPS	Connection D1	Surface finish *1. Standard – Satin finished *2. Electro polished *3. Mech. polished – Satin finished *4. Electro polished *5. Mirror finished	Item-No.		Manual Actuator/Bonnet		Manual Actuator/Bonnet		Manual Actuator/Bonnet	
				PPS / PPS		PPS / SS		SS / SS			
				EPDM Diaphragm	PTFE Diaphragm	EPDM Diaphragm	PTFE Diaphragm	EPDM Diaphragm	PTFE Diaphragm		
[mm]	[inch]	[mm]	[µm]								
8.0	1/4"	Clamp 25.0	*1. External Ra<6.3 – Internal Ra<0.5	445 858 C	445 823 R	446 510 U	446 545 T	447 067 Y	447 102 Z		
8.0	1/4"	Clamp 25.0	*2. External Ra<3.2 – Internal Ra<0.4	445 859 D	445 824 J	446 511 R	446 546 U	447 068 H	447 103 S		
8.0	1/4"	Clamp 25.0	*3. External Ra<1.6 – Internal Ra<0.5	445 860 A	445 825 K	446 512 J	446 547 V	447 069 A	447 104 T		
8.0	1/4"	Clamp 25.0	*4. External Ra<0.8 – Internal Ra<0.4	445 861 X	445 826 L	446 513 K	446 548 E	447 070 F	447 105 U		
8.0	1/4"	Clamp 25.0	*5. External Ra<0.25 – Internal Ra<0.25	445 862 Y	445 827 M	446 514 L	446 549 F	447 071 U	447 106 V		
10.0	3/8"	Clamp 25.0	*1. External Ra<6.3 – Internal Ra<0.5	445 863 Z	445 828 W	446 515 M	446 550 C	447 072 V	447 107 W		
10.0	3/8"	Clamp 25.0	*2. External Ra<3.2 – Internal Ra<0.4	445 864 S	445 829 X	446 516 N	446 551 Z	447 073 W	447 108 F		
10.0	3/8"	Clamp 25.0	*3. External Ra<1.6 – Internal Ra<0.5	445 865 T	445 830 U	446 517 P	446 552 S	447 074 X	447 109 G		
10.0	3/8"	Clamp 25.0	*4. External Ra<0.8 – Internal Ra<0.4	445 866 U	445 831 R	446 518 Y	446 553 T	447 075 Y	447 110 U		
10.0	3/8"	Clamp 25.0	*5. External Ra<0.25 – Internal Ra<0.25	445 867 V	445 832 J	446 519 Z	446 554 U	447 076 Z	447 111 R		
15.0	1/2"	Clamp 25.0	*1. External Ra<6.3 – Internal Ra<0.5	445 868 E	445 833 K	446 520 W	446 555 V	447 077 S	447 112 J		
15.0	1/2"	Clamp 25.0	*2. External Ra<3.2 – Internal Ra<0.4	445 869 F	445 834 L	446 521 K	446 556 W	447 078 B	447 113 K		
15.0	1/2"	Clamp 25.0	*3. External Ra<1.6 – Internal Ra<0.5	445 870 C	445 835 M	446 522 L	446 557 X	447 079 C	447 114 L		
15.0	1/2"	Clamp 25.0	*4. External Ra<0.8 – Internal Ra<0.4	445 871 Z	445 836 N	446 523 M	446 558 G	447 080 S	447 115 M		
15.0	1/2"	Clamp 25.0	*5. External Ra<0.25 – Internal Ra<0.25	445 872 S	445 837 P	446 524 N	446 559 H	447 081 P	447 116 N		
20.0	3/4"	Clamp 25.0	*1. External Ra<6.3 – Internal Ra<0.5	445 873 T	445 838 Y	446 525 P	446 560 E	447 082 Q	447 117 P		
20.0	3/4"	Clamp 25.0	*2. External Ra<3.2 – Internal Ra<0.4	445 874 U	445 839 Z	446 526 Q	446 561 T	447 083 R	447 118 Y		
20.0	3/4"	Clamp 25.0	*3. External Ra<1.6 – Internal Ra<0.5	445 875 V	445 840 E	446 527 R	446 562 U	447 084 J	447 119 Z		
20.0	3/4"	Clamp 25.0	*4. External Ra<0.8 – Internal Ra<0.4	445 876 W	445 841 T	446 528 S	446 563 V	447 085 K	447 120 W		
20.0	3/4"	Clamp 25.0	*5. External Ra<0.25 – Internal Ra<0.25	445 877 X	445 842 U	446 529 T	446 564 W	447 086 L	447 121 K		
25.0	1"	Clamp 50.5	*1. External Ra<6.3 – Internal Ra<0.5	445 878 G	445 843 V	446 530 Y	446 565 X	447 087 M	447 122 L		
25.0	1"	Clamp 50.5	*2. External Ra<3.2 – Internal Ra<0.4	445 879 H	445 844 W	446 531 M	446 566 Y	447 088 W	447 123 M		
25.0	1"	Clamp 50.5	*3. External Ra<1.6 – Internal Ra<0.5	445 880 X	445 845 X	446 532 N	446 567 Z	447 089 X	447 124 N		
25.0	1"	Clamp 50.5	*4. External Ra<0.8 – Internal Ra<0.4	445 881 L	445 846 Y	446 533 P	446 568 A	447 090 U	447 125 P		
25.0	1"	Clamp 50.5	*5. External Ra<0.25 – Internal Ra<0.25	445 882 M	445 847 Z	446 534 Q	446 569 B	447 091 R	447 126 Q		
40.0	1 1/2"	Clamp 50.5	*1. External Ra<6.3 – Internal Ra<0.5	445 883 N	445 848 A	446 535 R	446 570 G	447 092 J	447 127 R		
40.0	1 1/2"	Clamp 50.5	*2. External Ra<3.2 – Internal Ra<0.4	445 884 P	445 849 B	446 536 J	446 571 V	447 093 K	447 128 S		
40.0	1 1/2"	Clamp 50.5	*3. External Ra<1.6 – Internal Ra<0.5	445 885 Q	445 850 G	446 537 K	446 572 W	447 094 L	447 129 T		
40.0	1 1/2"	Clamp 50.5	*4. External Ra<0.8 – Internal Ra<0.4	445 886 R	445 851 V	446 538 U	446 573 X	447 095 M	447 130 Y		
40.0	1 1/2"	Clamp 50.5	*5. External Ra<0.25 – Internal Ra<0.25	445 887 J	445 852 W	446 539 V	446 574 Y	447 096 N	447 131 M		
50.0	2"	Clamp 64.0	*1. External Ra<6.3 – Internal Ra<0.5	445 888 T	445 853 X	446 540 A	446 575 Z	447 097 P	447 132 N		
50.0	2"	Clamp 64.0	*2. External Ra<3.2 – Internal Ra<0.4	445 889 U	445 854 Y	446 541 X	446 576 S	447 098 Y	447 133 P		
50.0	2"	Clamp 64.0	*3. External Ra<1.6 – Internal Ra<0.5	445 890 Z	445 855 Z	446 542 Y	446 577 T	447 099 Z	447 134 O		
50.0	2"	Clamp 64.0	*4. External Ra<0.8 – Internal Ra<0.4	445 891 N	445 856 S	446 543 Z	446 578 C	447 100 B	447 135 R		
50.0	2"	Clamp 64.0	*5. External Ra<0.25 – Internal Ra<0.25	445 892 P	445 857 T	446 544 S	446 579 D	447 101 Y	447 136 J		

Specifications - Ordering Chart (Other Versions on Request) for DIN 32676 Connection

Orifice DN	Connection D1	Surface finish *1. Standard – Satin finished *2. Electro polished *3. Mech. polished – Satin finished *4. Electro polished *5. Mirror finished	Item-No.		Manual Actuator/Bonnet		Manual Actuator/Bonnet		Manual Actuator/Bonnet	
			PPS / PPS		PPS / SS		SS / SS			
			EPDM Diaphragm	PTFE Diaphragm	EPDM Diaphragm	PTFE Diaphragm	EPDM Diaphragm	PTFE Diaphragm		
[mm]	[mm]	[µm]								
15.0	Clamp 34.0	*1. External Ra<6.3 – Internal Ra<0.5	445 893 Q	445 918 Y	446 580 T	446 605 G	447 137 K	447 162 U		
15.0	Clamp 34.0	*2. External Ra<3.2 – Internal Ra<0.4	445 894 R	445 919 Z	446 581 Q	446 606 H	447 138 U	447 163 V		
15.0	Clamp 34.0	*3. External Ra<1.6 – Internal Ra<0.5	445 895 J	445 920 W	446 582 R	446 607 A	447 139 V	447 164 W		
15.0	Clamp 34.0	*4. External Ra<0.8 – Internal Ra<0.4	445 896 K	445 921 K	446 583 J	446 608 K	447 140 A	447 165 X		
15.0	Clamp 34.0	*5. External Ra<0.25 – Internal Ra<0.25	445 897 L	445 922 L	446 584 K	446 609 L	447 141 X	447 166 Y		
20.0	Clamp 34.0	*1. External Ra<6.3 – Internal Ra<0.5	445 898 V	445 923 M	446 585 L	446 610 G	447 142 Y	447 167 Z		
20.0	Clamp 34.0	*2. External Ra<3.2 – Internal Ra<0.4	445 899 W	445 924 N	446 586 M	446 611 V	447 143 Z	447 168 A		
20.0	Clamp 34.0	*3. External Ra<1.6 – Internal Ra<0.5	445 900 B	445 925 P	446 587 N	446 612 W	447 144 S	447 169 B		
20.0	Clamp 34.0	*4. External Ra<0.8 – Internal Ra<0.4	445 901 Y	445 926 Q	446 588 X	446 613 X	447 145 T	447 170 G		
20.0	Clamp 34.0	*5. External Ra<0.25 – Internal Ra<0.25	445 902 Z	445 927 R	446 589 Y	446 614 Y	447 146 U	447 171 V		
25.0	Clamp 50.5	*1. External Ra<6.3 – Internal Ra<0.5	445 903 S	445 928 S	446 590 V	446 615 Z	447 147 V	447 172 W		
25.0	Clamp 50.5	*2. External Ra<3.2 – Internal Ra<0.4	445 904 T	445 929 T	446 591 J	446 616 S	447 148 E	447 173 X		
25.0	Clamp 50.5	*3. External Ra<1.6 – Internal Ra<0.5	445 905 U	445 930 Y	446 592 K	446 617 T	447 149 F	447 174 Y		
25.0	Clamp 50.5	*4. External Ra<0.8 – Internal Ra<0.4	445 906 V	445 931 M	446 593 L	446 618 C	447 150 C	447 175 Z		
25.0	Clamp 50.5	*5. External Ra<0.25 – Internal Ra<0.25	445 907 W	445 932 N	446 594 M	446 619 D	447 151 Z	447 176 S		
40.0	Clamp 50.5	*1. External Ra<6.3 – Internal Ra<0.5	445 908 F	445 933 P	446 595 N	446 620 A	447 152 S	447 177 T		
40.0	Clamp 50.5	*2. External Ra<3.2 – Internal Ra<0.4	445 909 G	445 934 Q	446 596 P	446 621 X	447 153 T	447 178 C		
40.0	Clamp 50.5	*3. External Ra<1.6 – Internal Ra<0.5	445 910 U	445 935 R	446 597 Q	446 622 Y	447 154 U	447 179 D		
40.0	Clamp 50.5	*4. External Ra<0.8 – Internal Ra<0.4	445 911 R	445 936 J	446 598 Z	446 623 Z	447 155 V	447 180 T		
40.0	Clamp 50.5	*5. External Ra<0.25 – Internal Ra<0.25	445 912 J	445 937 K	446 599 S	446 624 S	447 156 W	447 181 Q		
50.0	Clamp 64.0	*1. External Ra<6.3 – Internal Ra<0.5	445 913 K	445 938 U	446 600 P	446 625 T	447 157 X	447 182 R		
50.0	Clamp 64.0	*2. External Ra<3.2 – Internal Ra<0.4	445 914 L	445 939 V	446 601 C	446 626 U	447 158 G	447 183 J		
50.0	Clamp 64.0	*3. External Ra<1.6 – Internal Ra<0.5	445 915 M	445 940 A	446 602 D	446 627 V	447 159 H	447 184 K		
50.0	Clamp 64.0	*4. External Ra<0.8 – Internal Ra<0.4	445 916 N	445 941 X	446 603 E	446 628 E	447 160 E	447 185 L		
50.0	Clamp 64.0	*5. External Ra<0.25 – Internal Ra<0.25	445 917 P	445 942 Y	446 604 F	446 629 F	447 161 T	447 186 M		

In case of special application requirements, please consult for advice.

We reserve the right to make technical changes without notice.
105-GB/ 1-0XXX