

2/2-Way Diaphragm Valve, Manually Operated Casted Stainless Steel Body with Tri-Clamp® Connection



3233

DN 8 - 50

- ✓ Fully integrated in Burkert's Easy Process Control Systems
- ✓ Hermetical separation of fluids from the operating mechanism by diaphragm
- ✓ Visual position indication
Optionally with locking function (\geq DN15)
- ✓ Various surface finishes
- ✓ Quality certifications

The manually operated diaphragm valve type 3233 consists of:

- Casted stainless steel body with various surface finishes
- Chemical neutral diaphragms
- Manual actuator

The medium is separated from the actuator and the environment. Its zero dead volume body, combined with various surface finishes allows a wide range of applications.

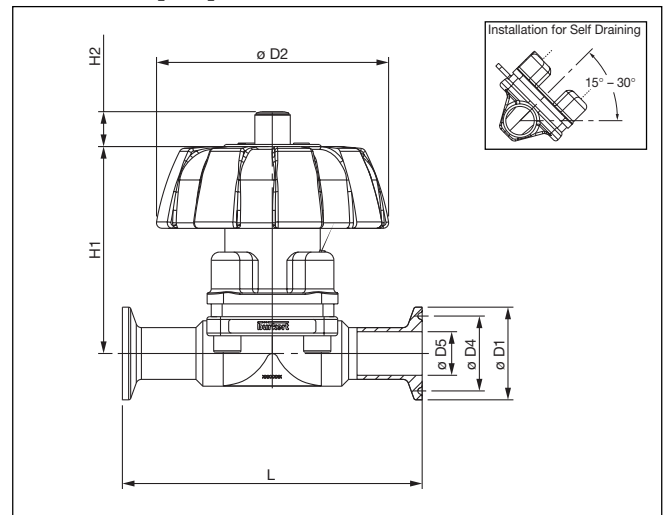
Technical Data

Connections	ISO 2852, SMS 3017, DIN 32676 and BS 4825
Medium pressure	0 up to 10 bar
Temperatures	
Medium	-10°C... +130°C (short +150°C)
Ambient	+5°C... +140°C
Materials	
Valve body	stainless steel 316L investment cast
Diaphragm	EPDM, PTFE
Manual actuator	PPS
Bonnet	PPS, stainless steel 1.4581
Flow direction	Bi-direct

Specifications

Orifice DN	Kv-Value Water	Weight	
		Manual Actuator / Bonnet PPS / PPS	PPS / St.St.
[mm]	[m³/h]	[kg]	[kg]
8.0	1.0	0.3	0.4
10.0	1.0	0.3	0.4
15.0	6.0	0.6	0.7
20.0	11.0	0.9	1.0
25.0	16.0	1.6	1.8
40.0	29.0	3.1	3.4
50.0	50.0	3.7	4.2

Dimensions [mm]



ISO 2852 - SMS 3017 Connection

Orifice DN	L	D1	D4	D5	D2	H1	H2
[mm]	[mm]	ø [mm]	ø [mm]	ø [mm]	ø [mm]	[mm]	[mm]
25.0	129.0	50.5	43.5	22.6	80.0	94.0	12.0
40.0	161.0	50.5	43.5	35.6	114.0	116.0	19.0
50.0	192.0	64.0	56.5	48.6	114.0	133.0	25.0

DIN 32676 Connection

Orifice DN	L	D1	D4	D5	D2	H1	H2
[mm]	[mm]	ø [mm]	ø [mm]	ø [mm]	ø [mm]	[mm]	[mm]
15.0	110.0	34.0	27.5	16.0	80.0	85.0	7.0
20.0	119.0	34.0	27.5	20.0	80.0	93.0	11.0
25.0	129.0	50.5	43.5	26.0	80.0	94.0	12.0
40.0	161.0	50.5	43.5	38.0	114.0	116.0	19.0
50.0	192.0	64.0	56.5	50.0	114.0	133.0	25.0

BS 4825 Connection

Orifice DN	L	D1	D4	D5	D2	H1	H2
[mm]	[mm]	ø [mm]	ø [mm]	ø [mm]	ø [mm]	[mm]	[mm]
8.0 - 3/8	89.0	25.0	-	7.1	35.0	56.0	???
10.0 - 1/2	89.0	25.0	-	10.3	35.0	56.0	???
15.0 - 3/4	102.0	25.0	-	16.7	80.0	85.0	7.0
25.0 - 1	114.0	50.5	43.5	22.2	80.0	94.0	12.0
40.0 - 1 1/2	140.0	50.5	43.5	34.9	114.0	116.0	19.0
50.0 - 2	159.0	64.0	56.5	47.6	114.0	133.0	25.0



2/2-Way Diaphragm Valve, Manually Operated Casted Stainless Steel Body with Tri-Clamp® Connection

Specifications - Ordering Chart (Other Versions on Request) for ISO 2852 - SMS 3017 Connection

Orifice DN [mm]	Connection D1 [mm]	Surface finish [µm]	Item-No. Manual Actuator / Bonnet PPS / PPS		Manual Actuator / Bonnet PPS / Stainless Steel	
			EPDM Diaphragh.	PTFE Diaphragh.	EPDM Diaphragh.	PTFE Diaphragh.
25.0	Clamp - 50.5	*1. Internal Ra<6.3 - External Ra<6.3	442 370 K	441 848 E	440 997 X	441 133 R
25.0	Clamp - 50.5	*2. Internal Ra<1.6 - External Ra<6.3	442 371 G	441 849 F	440 998 G	441 134 J
25.0	Clamp - 50.5	*3. Internal Ra<0.8 - External Ra<6.3	442 372 H	441 850 C	440 999 H	441 135 K
25.0	Clamp - 50.5	*4. Internal Ra<0.6 - External Ra<3.2	442 373 A	441 851 Z	441 000 C	441 136 L
40.0	Clamp - 50.5	*1. Internal Ra<6.3 - External Ra<6.3	442 428 S	441 852 S	441 001 Z	441 187 Q
40.0	Clamp - 50.5	*2. Internal Ra<1.6 - External Ra<6.3	442 429 T	441 853 T	441 002 S	441 188 Z
40.0	Clamp - 50.5	*3. Internal Ra<0.8 - External Ra<6.3	442 430 Y	441 854 U	441 003 T	441 189 S
40.0	Clamp - 50.5	*4. Internal Ra<0.6 - External Ra<3.2	442 431 M	441 855 V	441 004 U	441 190 X
50.0	Clamp - 64.0	*1. Internal Ra<6.3 - External Ra<6.3	442 483 J	441 856 W	441 005 V	440 983 Z
50.0	Clamp - 64.0	*2. Internal Ra<1.6 - External Ra<6.3	442 484 K	441 857 X	441 006 W	440 984 S
50.0	Clamp - 64.0	*3. Internal Ra<0.8 - External Ra<6.3	442 485 L	441 858 G	441 007 X	440 985 T
50.0	Clamp - 64.0	*4. Internal Ra<0.6 - External Ra<3.2	442 486 M	441 859 H	441 008 G	440 986 U

Specifications - Ordering Chart (Other Versions on Request) for DIN 32676 Connection

Orifice DN [mm]	Connection D1 [mm]	Surface finish [µm]	Item-No. Manual Actuator / Bonnet PPS / PPS		Manual Actuator / Bonnet PPS / Stainless Steel	
			EPDM Diaphragh.	PTFE Diaphragh.	EPDM Diaphragh.	PTFE Diaphragh.
15.0	Clamp - 34.0	*1. Internal Ra<6.3 - External Ra<6.3	442 280 A	441 860 E	441 035 J	441 021 L
15.0	Clamp - 34.0	*2. Internal Ra<1.6 - External Ra<6.3	442 281 X	441 861 T	441 036 K	441 022 M
15.0	Clamp - 34.0	*3. Internal Ra<0.8 - External Ra<6.3	442 282 Y	441 862 U	441 037 L	441 023 N
15.0	Clamp - 34.0	*4. Internal Ra<0.6 - External Ra<3.2	442 283 Z	441 863 V	441 038 V	441 024 P
20.0	Clamp - 34.0	*1. Internal Ra<6.3 - External Ra<6.3	442 319 C	442 177 W	441 039 W	441 067 S
20.0	Clamp - 34.0	*2. Internal Ra<1.6 - External Ra<6.3	442 320 H	442 178 F	441 040 B	441 068 B
20.0	Clamp - 34.0	*3. Internal Ra<0.8 - External Ra<6.3	442 321 W	442 179 G	441 041 Y	441 069 C
20.0	Clamp - 34.0	*4. Internal Ra<0.6 - External Ra<3.2	442 322 X	442 180 W	441 042 Z	441 070 H
25.0	Clamp - 50.5	*1. Internal Ra<6.3 - External Ra<6.3	442 366 B	442 181 K	441 043 S	441 125 R
25.0	Clamp - 50.5	*2. Internal Ra<1.6 - External Ra<6.3	442 367 C	442 182 L	441 044 T	441 126 J
25.0	Clamp - 50.5	*3. Internal Ra<0.8 - External Ra<6.3	442 368 M	442 183 M	441 045 U	441 127 K
25.0	Clamp - 50.5	*4. Internal Ra<0.6 - External Ra<3.2	442 369 N	442 184 N	441 046 V	441 128 U
40.0	Clamp - 50.5	*1. Internal Ra<6.3 - External Ra<6.3	442 424 N	442 185 P	441 047 W	441 179 F
40.0	Clamp - 50.5	*2. Internal Ra<1.6 - External Ra<6.3	442 425 P	442 186 Q	441 048 F	441 180 V
40.0	Clamp - 50.5	*3. Internal Ra<0.8 - External Ra<6.3	442 426 Q	442 187 R	441 049 G	441 181 J
40.0	Clamp - 50.5	*4. Internal Ra<0.6 - External Ra<3.2	442 427 R	442 188 S	441 050 D	441 182 K
50.0	Clamp - 64.0	*1. Internal Ra<6.3 - External Ra<6.3	442 479 D	442 189 T	441 093 M	440 979 L
50.0	Clamp - 64.0	*2. Internal Ra<1.6 - External Ra<6.3	442 480 T	442 190 Y	441 094 N	440 980 A
50.0	Clamp - 64.0	*3. Internal Ra<0.8 - External Ra<6.3	442 481 Q	442 191 M	441 095 P	440 981 X
50.0	Clamp - 64.0	*4. Internal Ra<0.6 - External Ra<3.2	442 482 R	442 192 N	441 096 Q	440 982 Y

Specifications - Ordering Chart (Other Versions on Request) for BS 4825 Connection

Orifice DN [mm]	Connection D1 [mm]	Surface finish [µm]	Item-No. Manual Actuator / Bonnet PPS / PPS		Manual Actuator / Bonnet PPS / Stainless Steel	
			EPDM Diaphragh.	PTFE Diaphragh.	EPDM Diaphragh.	PTFE Diaphragh.
8.0	Clamp - 25.0	*1. Internal Ra<6.3 - External Ra<6.3	442 233 W	442 193 P	441 097 R	441 017 Q
8.0	Clamp - 25.0	*2. Internal Ra<1.6 - External Ra<6.3	442 234 X	442 194 Q	441 098 S	441 018 Z
8.0	Clamp - 25.0	*3. Internal Ra<0.8 - External Ra<6.3	442 235 Y	442 195 R	441 099 T	441 019 S
8.0	Clamp - 25.0	*4. Internal Ra<0.6 - External Ra<3.2	442 236 Z	442 196 J	441 100 D	441 020 X
10.0	Clamp - 25.0	*1. Internal Ra<6.3 - External Ra<6.3	442 241 E	442 197 K	441 101 S	441 063 W
10.0	Clamp - 25.0	*2. Internal Ra<1.6 - External Ra<6.3	442 242 F	442 198 U	441 102 T	441 064 X
10.0	Clamp - 25.0	*3. Internal Ra<0.8 - External Ra<6.3	442 243 G	442 199 V	441 103 U	441 065 Y
10.0	Clamp - 25.0	*4. Internal Ra<0.6 - External Ra<3.2	442 244 H	442 200 J	441 104 V	441 066 Z
15.0	Clamp - 25.0	*1. Internal Ra<6.3 - External Ra<6.3	442 323 Y	442 201 F	441 105 W	441 121 M
15.0	Clamp - 25.0	*2. Internal Ra<1.6 - External Ra<6.3	442 324 Z	442 202 G	441 106 X	441 122 N
15.0	Clamp - 25.0	*3. Internal Ra<0.8 - External Ra<6.3	442 325 S	442 203 H	441 107 Y	441 123 P
15.0	Clamp - 25.0	*4. Internal Ra<0.6 - External Ra<3.2	442 326 T	442 204 A	441 108 H	441 124 Q
25.0	Clamp - 50.5	*1. Internal Ra<6.3 - External Ra<6.3	442 374 B	442 205 B	441 147 X	441 175 T
25.0	Clamp - 50.5	*2. Internal Ra<1.6 - External Ra<6.3	442 375 C	442 206 C	441 148 G	441 176 U
25.0	Clamp - 50.5	*3. Internal Ra<0.8 - External Ra<6.3	442 376 D	442 207 D	441 149 H	441 177 V
25.0	Clamp - 50.5	*4. Internal Ra<0.6 - External Ra<3.2	442 377 E	442 208 N	441 150 E	441 178 E
40.0	Clamp - 50.5	*1. Internal Ra<6.3 - External Ra<6.3	442 432 N	442 209 P	441 151 T	441 055 W
40.0	Clamp - 50.5	*2. Internal Ra<1.6 - External Ra<6.3	442 433 P	442 210 B	441 152 U	441 056 X
40.0	Clamp - 50.5	*3. Internal Ra<0.8 - External Ra<6.3	442 434 Q	442 211 Y	441 153 V	441 057 Y
40.0	Clamp - 50.5	*4. Internal Ra<0.6 - External Ra<3.2	442 435 R	442 212 Z	441 154 W	441 058 H
50.0	Clamp - 64.0	*1. Internal Ra<6.3 - External Ra<6.3	442 487 N	442 213 S	441 155 X	441 113 M
50.0	Clamp - 64.0	*2. Internal Ra<1.6 - External Ra<6.3	442 488 X	442 214 T	441 156 Y	441 114 N
50.0	Clamp - 64.0	*3. Internal Ra<0.8 - External Ra<6.3	442 489 Y	442 215 U	441 157 Z	441 115 P
50.0	Clamp - 64.0	*4. Internal Ra<0.6 - External Ra<3.2	442 490 V	442 216 V	441 158 A	441 116 Q

In case of special application requirements, please consult for advice.

We reserve the right to make technical changes without notice.
009-GB/ 2-0222