

2/2-Way Diaphragm Valve, Manually Operated Casted Stainless Steel Body with Sterile Threaded Ends



3233

DN 25 - 50

- ✓ Fully integrated in Burkert's Easy Process Control Systems
- ✓ Hermetical separation of fluids from the operating mechanism by diaphragm
- ✓ Visual position indication
Optionally with locking function (\geq DN15)
- ✓ Various surface finishes
- ✓ Quality certifications

The manually operated diaphragm valve type 3233 consists of:

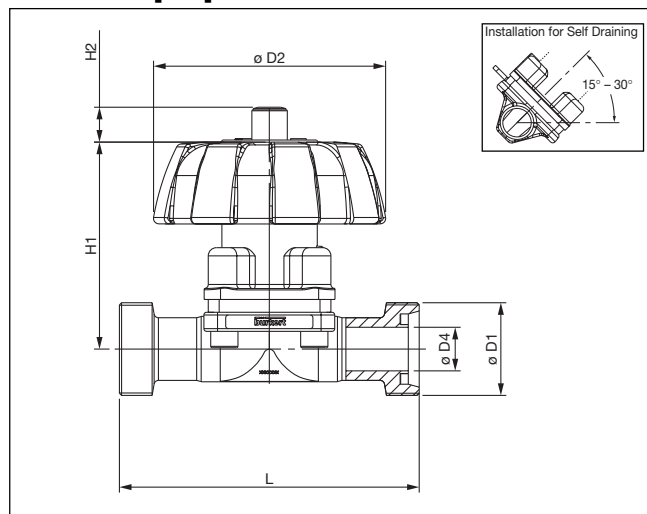
- Casted stainless steel body with various surface finishes
- Chemical neutral diaphragms
- Manual actuator

The medium is separated from the actuator and the environment. Its zero dead volume body, combined with various surface finishes allows a wide range of applications.

Technical Data

Connections	SMS 1145
Medium pressure	0 up to 10 bar
Temperatures	
Medium	-10°C... +130°C (short +150°C)
Ambient	+5°C... +140°C
Materials	
Valve body	stainless steel 316L investment cast
Diaphragm	EPDM, PTFE
Manual actuator	PPS
Bonnet	PPS, stainless steel 1.4581
Flow direction	Bi-direct

Dimensions [mm]



Specifications

Orifice DN	Kv-Value Water	Weight	
		Manual Actuator / Bonnet PPS / PPS [kg]	PPS / St.St. [kg]
[mm]	[m³/h]		
25.0	16.0	1.6	1.8
40.0	29.0	3.1	3.4
50.0	50.0	3.7	4.2

SMS 1145 Connection

Orifice DN	L	D1 RD	D4	D2	H1	H2
[mm]	[mm]		ø [mm]	ø [mm]	[mm]	[mm]
25.0	129.0	Rd 40 x 1/6"	22.5	80.0	94.0	12.0
40.0	160.0	Rd 60 x 1/6"	35.5	114.0	116.0	19.0
50.0	190.0	Rd 70 x 1/6"	48.5	114.0	133.0	25.0



2/2-Way Diaphragm Valve, Manually Operated Casted Stainless Steel Body with Sterile Threaded Ends

Specifications - Ordering Chart (Other Versions on Request) for SMS 1145 Connection

Orifice DN [mm]	Connection D1	Surface finish [µm]	Item-No.			
			Manual Actuator / Bonnet PPS / PPS		Manual Actuator / Bonnet PPS / Stainless Steel	
			EPDM Diaphr.	PTFE Diaphr.	EPDM Diaphr.	PTFE Diaphr.
25.0	Rd 40 x 1/6"	*1. Internal Ra<6.3 – External Ra<6.3	442 378 P	442 217 W	441 159 B	441 167 T
25.0	Rd 40 x 1/6"	*2. Internal Ra<1.6 – External Ra<6.3	442 379 Q	442 218 F	441 160 G	441 168 C
25.0	Rd 40 x 1/6"	*3. Internal Ra<0.8 – External Ra<6.3	442 380 E	442 219 G	441 161 V	441 169 D
25.0	Rd 40 x 1/6"	*4. Internal Ra<0.6 – External Ra<3.2	442 381 T	442 220 D	441 162 W	441 170 A
40.0	Rd 60 x 1/6"	*1. Internal Ra<6.3 – External Ra<6.3	442 436 J	442 221 S	440 951 G	441 071 W
40.0	Rd 60 x 1/6"	*2. Internal Ra<1.6 – External Ra<6.3	442 437 K	442 222 T	440 952 H	441 072 X
40.0	Rd 60 x 1/6"	*3. Internal Ra<0.8 – External Ra<6.3	442 438 U	442 223 U	440 953 A	441 073 Y
40.0	Rd 60 x 1/6"	*4. Internal Ra<0.6 – External Ra<3.2	442 439 V	442 224 V	440 954 B	441 074 Z
50.0	Rd 70 x 1/6"	*1. Internal Ra<6.3 – External Ra<6.3	442 491 J	442 225 W	440 989 F	441 129 V
50.0	Rd 70 x 1/6"	*2. Internal Ra<1.6 – External Ra<6.3	442 492 K	442 226 X	440 990 C	441 130 S
50.0	Rd 70 x 1/6"	*3. Internal Ra<0.8 – External Ra<6.3	442 493 L	442 227 Y	440 991 Z	441 131 P
50.0	Rd 70 x 1/6"	*4. Internal Ra<0.6 – External Ra<3.2	442 494 M	442 228 H	440 992 S	441 132 Q