

Width: 28 mm, Contact clearance: 18 mm, 0–250 V



Advantages / Benefits

- ▶ Optional equipment with LED, rectifier, suppressor diode, pole protection and/or varistor
- ▶ Modular design allows flexibility in restricted space
- ▶ Easy electrode wiring, simple installation
- ▶ Pressure screw cable seal with strain relief

Design/Function

The cable plug consists of

- a polyamide body with PC-cover and mounting screw,
- a contact insert that can be rotated by 180°
- electro-silverplated brass contacts and
- a gasket seal.

The strain relieving feature and cable seal is provided by a pressure screw with seal ring.

The terminal screws are easily accessible, when the contact inserts are removed.
The cable outlet is oriented vertically to the plug bottom.

Applications

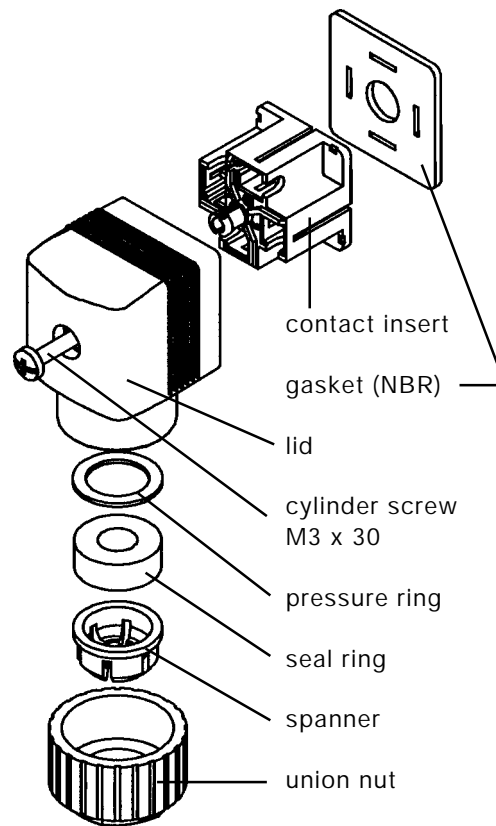
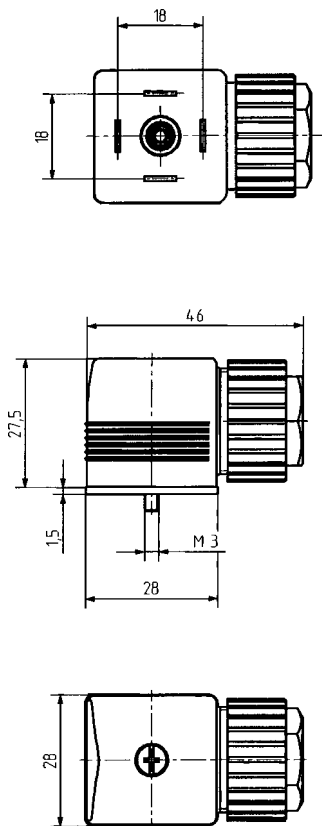
Plug-in connection for electrical devices and components, especially solenoid valves with lateral tag connectors.
Tag configuration according to DIN 43 650, form A.

Cable Plug to DIN 43 650, Shape A

Technical Data

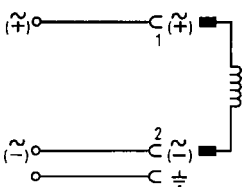
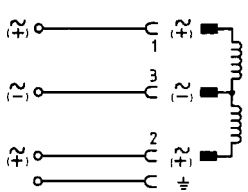
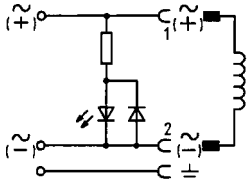
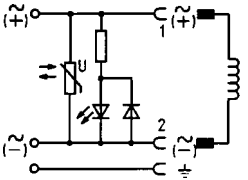
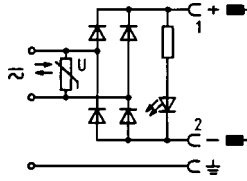
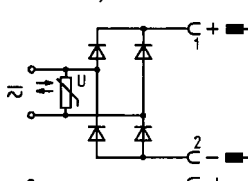
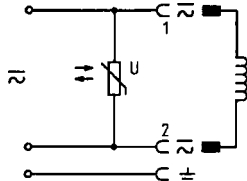
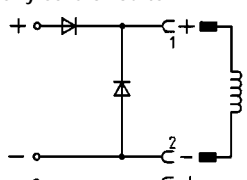
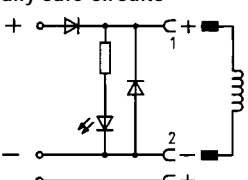
Body material	PA (polyamide)	Functional display	LED, red
Contact material	brass, electro-silverplated	Isolation group	C
Cable outlet (Outlet orientation of single valves)	vertically to the plug bottom (can be rotated by 4 x 90° after removal)	Rating	IP 65
Isolation between cable plug and coil	gasket (NBR) 1.5 mm	Max. continuous current	10 A without wiring
Continuous limit temp.	+125 °C	Contact resistance	5 mΩ
Cable diameter	5–6 mm	Installation (cf. explosion drawing) – remove contact insert from lid – insert cable through union nut – wire cable according to connection plan – replace contact insert – screw-on union nut – push gasket on tag connectors – push cable plug firmly onto tags – secure with tallow-drop screw M3 x 30	
Electr. connection	terminal screws max. 0.75 mm ²		
Poles	2-pole + protective earth		
Nominal voltage	0–250 V		

Dimensions in mm



Transparent lid, when wired with LED.

Wiring Diagrams/Connection Specifications

<p>Without wiring (Standard)</p>  <p>0-250 V AC/DC Order-No.: 008 376 N</p>	<p>Without wiring, for impulse coil</p>  <p>0-250 V AC/DC Order-No.: 008 526 V</p>
<p>With LED, to indicate switched position</p>  <p>In case of DC-voltage ensure correct polarity!</p> <p>12 V DC/24 V AC/DC Order-No.: 008 360 S 100-120 V AC/DC Order-No.: 008 361 P 200-240 V AC/DC Order-No.: 008 362 Q</p>	<p>With LED and varistor, to protect the LED in case of voltage transients</p>  <p>In case of DC-voltage ensure correct polarity!</p> <p>12 V DC/24 V AC/DC Order-No.: 008 367 M 100-120 V AC/DC Order-No.: 008 368 W 200-240 V AC/DC Order-No.: 008 369 X</p>
<p>With rectifier, LED and varistor (for protection in case of voltage transients)</p>  <p>12- 24 V AC/DC Order-No.: 008 363 R 100-120 V AC/DC Order-No.: 008 365 K 200-240 V AC/DC Order-No.: 008 366 L</p>	<p>With rectifier and varistor (for protection in case of voltage transients)</p>  <p>12-240 V AC/DC Order-No.: 008 374 L</p>
<p>With varistor (for protection in case of voltage transients)</p>  <p>12- 24 V AC/DC Order-No.: 008 370 U 100-120 V AC/DC Order-No.: 008 371 R 200-240 V AC/DC Order-No.: 008 372 J</p>	
<p>With pole protection and recovery diode for intrinsically safe circuits</p>  <p>Caution! DC-voltage ensure correct polarity!</p> <p>12-240 V DC Order-No.: 008 375 M</p>	<p>With pole protection, Recovery diode and LED for intrinsically safe circuits</p>  <p>Caution! DC-voltage ensure correct polarity!</p> <p>12-24 V DC Order-No.: 008 373 K</p>

Ordering Chart (Other Versions on Request)

All cable plugs are supplied with 2 poles + protective earth; for impulse with 3 poles + protective earth, a cable diameter of 6–7 mm, cable outlet oriented vertically to the plug bottom; Delivery package with mounting screw M3 x 30 and gasket.

Circuitry	Voltage	Max. current	Order-No.
No circuitry	0–250 V	10A	008 376 N
Without circuitry, 3 poles + protective earth (for impulse coils)	0–250 V		008 526 V
With LED	12– 24 V	10 A	008 360 S
With LED	100–120 V	10 A	008 361 P
With LED	200–240 V	10 A	008 362 Q
With rectifier, LED and varistor	12– 24 V	2 A	008 363 R
With rectifier, LED and varistor	100–120 V	2 A	008 365 K
With rectifier, LED and varistor	200–240 V	2 A	008 366 L
With LED and varistor	12– 24 V	10 A	008 367 M
With LED and varistor	100–120 V	10 A	008 368 W
With LED and varistor	200–240 V	10 A	008 369 X
With varistor	12– 24 V	10 A	008 370 U
With varistor	100–120 V	10 A	008 371 R
With varistor	200–240 V	10 A	008 372 J
With pole protection, suppressor diode and LED	12– 24 V	1 A	008 373 K
With pole protection and suppressor diode	12–240 V	1 A	008 375 M
With rectifier and varistor	12–240 V	2 A	008 374 L
Pre-wired			on request