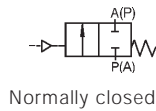


# 2/2-Way Diaphragm Valve, Pneumatically Operated Forged Stainless Steel Body with Tri-Clamp® Connection

Isolating Diaphragm Valve



2031



DN 8 - 50

- ✓ Fully integrated in Burkert's Easy Process Control Systems
- ✓ Hermetical separation of fluids from the operating mechanism by diaphragm
- ✓ Zero dead volume
- ✓ Various surface finishes
- ✓ Quality certifications FDA /

2031

The Burkert diaphragm valve systems with forged stainless steel valve bodies are designed for control of ultra-pure, sterile, aggressive or abrasive fluids. They separate hermetically critical fluids from the actuator by chemical neutral high quality diaphragms. The zero dead volume body, combined with various surface finishes allows a wide range of applications.

The pneumatic actuator can be controlled by pneumatic pilot valves (single pilot valves, valve islands and control heads). Control function A, normally closed by spring return.

## Technical Data

Connections	<ul style="list-style-type: none"> <li>• ISO 2852 - SMS 3017</li> <li>• ASME BPE Long</li> <li>• ASME BPE Short</li> <li>• DIN 32676</li> </ul>						
Pilot pressure (depending on actuator)	<table border="0"> <tr> <td>5.5 ... 7 bar</td> <td>(PPS)</td> </tr> <tr> <td>5.5 ... 10 bar</td> <td>(PA ≤ size 100)</td> </tr> <tr> <td>5.5 ... 7 bar</td> <td>(PA &gt; size 100)</td> </tr> </table>	5.5 ... 7 bar	(PPS)	5.5 ... 10 bar	(PA ≤ size 100)	5.5 ... 7 bar	(PA > size 100)
5.5 ... 7 bar	(PPS)						
5.5 ... 10 bar	(PA ≤ size 100)						
5.5 ... 7 bar	(PA > size 100)						
Temperatures							
Medium	-10°C ... +130°C (short +150°C)						
Ambient (depending on actuator)	+5°C ... +140°C (PPS < size 100)						
	+5°C ... +90°C (PPS ≥ size 100)						
	(short +140°C)						
	-10°C ... +60°C (PA)						
Materials							
Valve body	Forged stainless steel 316L / 1.4435 / BN2 Fe < 0.5% / C ≤ 0.03%						
Diaphragm	EPDM, PTFE						
Actuator	PPS (PA on request)						
Threads for pilot valves	Stainless Steel 1.4305						
Flow direction	Bi-direct						

## Specifications

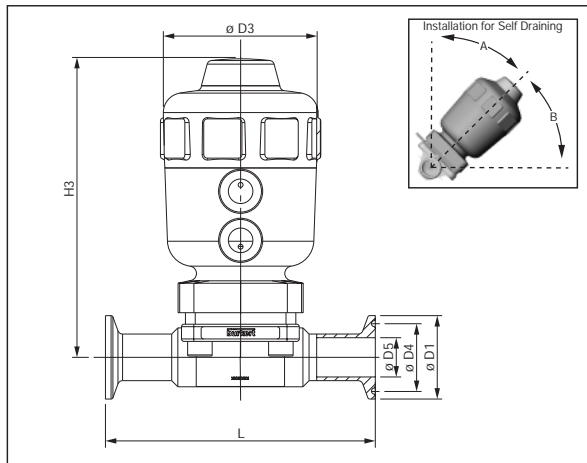
Orifice DN [mm]	Kv-Value Water [m³/h]	Max. Op. Pressure (Medium) [bar]	Actuator Size ø Diaphragm		Weight [kg]
			EPDM [mm]	PTFE [mm]	
8.0	1.0	10.0	C-40	-	0.4
8.0	1.0	10.0	-	C-40	0.4
10.0	1.0	10.0	C-40	-	0.4
10.0	1.0	10.0	-	C-40	0.4
15.0	4.0	8.5	D-50	-	0.7
15.0	4.5	10.0	-	E-63	0.9
20.0	7.0	10.0	E-63	-	1.3
20.0	7.5	10.0	-	F-80	2.0
25.0	12.0	10.0	F-80	-	2.2
25.0	12.0	7.5	-	F-80	2.2
40.0	30.0	6.5	G-100	-	4.2
40.0	30.5	10.0	-	H-125	5.7
50.0	51.5	8.0	H-125	-	7.6
50.0	51.5	7.0	-	H-125	7.6

- Applications:**
- Designed for high quality and purity requirements of:
    - Pharmaceutical industry
    - Biotechnology
    - Semicon
  - Minimum contamination in process systems



# 2/2-Way Diaphragm Valve, Pneumatically Operated Forged Stainless Steel Body with Tri-Clamp® Connection

## Dimensions [mm]



## Self Draining Angles (depending on orifice)

Orifice DN	NPS	Angle -A-	Angle -B-
[mm]	[inch]		
8.0	1/4"	55°	35°
10.0	3/8"	55°	35°
15.0	1/2"	64°	26°
20.0	3/4"	62°	28°
25.0	1"	67°	23°
40.0	1 1/2"	67°	23°
50.0	2"	68°	22°

## ISO 2852 - SMS 3017 Connection

Orifice DN	Actuat. size ø	L	H3	D3	D1	D4	D5
[mm]	[mm]	[mm]	[mm]	ø [mm]	ø [mm]	ø [mm]	ø [mm]
25.0	E-63	129.0	157.0	80.0	50.5	43.5	22.6
25.0	F-80	129.0	177.0	101.0	50.5	43.5	22.6
40.0	G-100	161.0	233.0	127.0	50.5	43.5	35.6
40.0	H-125	161.0	272.0	153.0	50.5	43.5	35.6
50.0	G-100	192.0	244.0	127.0	64.0	56.5	48.6
50.0	H-125	192.0	278.0	153.0	64.0	56.5	48.6

## DIN 32676 Connection

Orifice DN	Actuat. size ø	L	H3	D3	D1	D4	D5
[mm]	[mm]	[mm]	[mm]	ø [mm]	ø [mm]	ø [mm]	ø [mm]
15.0	D-50	110.0	121.0	64.0	34.0	27.5	16.0
15.0	E-63	110.0	138.0	80.0	34.0	27.5	16.0
20.0	E-63	119.0	148.0	80.0	34.0	27.5	20.0
20.0	F-80	119.0	174.0	101.0	34.0	27.5	20.0
25.0	E-63	129.0	157.0	80.0	50.5	43.5	26.0
25.0	F-80	129.0	177.0	101.0	50.5	43.5	26.0
40.0	G-100	161.0	233.0	127.0	50.5	43.5	38.0
40.0	H-125	161.0	272.0	153.0	50.5	43.5	38.0
50.0	G-100	192.0	244.0	127.0	64.0	56.5	50.0
50.0	H-125	192.0	278.0	153.0	64.0	56.5	50.0

## ASME BPE Long Connection

Orifice DN	NPS	Actuat. size ø	L	H3	D3	D1	D4	D5
[mm]	[inch]	[mm]	[mm]	[mm]	ø [mm]	ø [mm]	ø [mm]	ø [mm]
8.0	1/4"	C-40	78.0	85.0	53.0	25.0	-	3.95
10.0	3/8"	C-40	89.0	85.0	53.0	25.0	-	7.13
15.0	1/2"	D-50	108.0	121.0	64.0	25.0	-	9.40
15.0	1/2"	E-63	108.0	138.0	80.0	25.0	-	9.40
20.0	3/4"	E-63	117.0	148.0	80.0	25.0	-	15.75
20.0	3/4"	F-80	117.0	174.0	101.0	25.0	-	15.75
25.0	1"	E-63	127.0	157.0	80.0	50.5	43.5	22.20
25.0	1"	F-80	127.0	177.0	101.0	50.5	43.5	22.20
40.0	1 1/2"	G-100	159.0	233.0	127.0	50.5	43.5	34.90
40.0	1 1/2"	H-125	159.0	272.0	153.0	50.5	43.5	34.90
50.0	2"	G-100	190.0	244.0	127.0	64.0	56.5	47.60
50.0	2"	H-125	190.0	278.0	153.0	64.0	56.5	47.60

## ASME BPE Short Connection

Orifice DN	NPS	Actuat. size ø	L	H3	D3	D1	D4	D5
[mm]	[inch]	[mm]	[mm]	[mm]	ø [mm]	ø [mm]	ø [mm]	ø [mm]
8.0	1/4"	C-40	64.5	85.0	53.0	25.0	-	3.95
10.0	3/8"	C-40	89.0	85.0	53.0	25.0	-	7.13
15.0	1/2"	D-50	89.0	121.0	64.0	25.0	-	9.40
15.0	1/2"	E-63	89.0	138.0	80.0	25.0	-	9.40
20.0	3/4"	E-63	102.0	148.0	80.0	25.0	-	15.75
20.0	3/4"	F-80	102.0	174.0	101.0	25.0	-	15.75
25.0	1"	E-63	114.0	157.0	80.0	50.5	43.5	22.20
25.0	1"	F-80	114.0	177.0	101.0	50.5	43.5	22.20
40.0	1 1/2"	G-100	140.0	233.0	127.0	50.5	43.5	34.90
40.0	1 1/2"	H-125	140.0	272.0	153.0	50.5	43.5	34.90
50.0	2"	G-100	159.0	244.0	127.0	64.0	56.5	47.60
50.0	2"	H-125	159.0	278.0	153.0	64.0	56.5	47.60

# 2/2-Way Diaphragm Valve, Pneumatically Operated Forged Stainless Steel Body with Tri-Clamp® Connection

Isolating Diaphragm Valve

2031

## Specifications - Ordering Chart (Other Versions on Request) for ISO 2852 - SMS 3017 Connection

Orifice DN	Connection D1	Surface finish [μm]	*1. Standard – Satin finished *2. Electro polished *3. Mech. polished – Satin finished *4. Electro polished *5. Mirror finished	Actuator size	Item-No.	
					Pneumatic EPDM Diaphragm	Actuator PTFE Diaphragm
25.0	Clamp 50.5	*1. External Ra<6.3 – Internal Ra<0.5		F-80	445 387 U	445 402 U
25.0	Clamp 50.5	*2. External Ra<3.2 – Internal Ra<0.4		F-80	445 388 D	445 403 V
25.0	Clamp 50.5	*3. External Ra<1.6 – Internal Ra<0.5		F-80	445 389 E	445 404 W
25.0	Clamp 50.5	*4. External Ra<0.8 – Internal Ra<0.4		F-80	445 390 B	445 405 X
25.0	Clamp 50.5	*5. External Ra<0.25 – Internal Ra<0.25		F-80	445 391 Y	445 406 Y
40.0	Clamp 50.5	*1. External Ra<6.3 – Internal Ra<0.5		G-100	445 392 Z	445 407 Z
40.0	Clamp 50.5	*2. External Ra<3.2 – Internal Ra<0.4		G-100	445 393 S	445 408 A
40.0	Clamp 50.5	*3. External Ra<1.6 – Internal Ra<0.5		G-100	445 394 T	445 409 B
40.0	Clamp 50.5	*4. External Ra<0.8 – Internal Ra<0.4		G-100	445 395 U	445 410 X
40.0	Clamp 50.5	*5. External Ra<0.25 – Internal Ra<0.25		G-100	445 396 V	445 411 L
50.0	Clamp 64.0	*1. External Ra<6.3 – Internal Ra<0.5		H-125	445 397 W	445 412 M
50.0	Clamp 64.0	*2. External Ra<3.2 – Internal Ra<0.4		H-125	445 398 F	445 413 N
50.0	Clamp 64.0	*3. External Ra<1.6 – Internal Ra<0.5		H-125	445 399 G	445 414 P
50.0	Clamp 64.0	*4. External Ra<0.8 – Internal Ra<0.4		H-125	445 400 E	445 415 Q
50.0	Clamp 64.0	*5. External Ra<0.25 – Internal Ra<0.25		H-125	445 401 T	445 416 R

## Specifications - Ordering Chart (Other Versions on Request) for ASME BPE Long Connection

Orifice DN	NPS	Connection D1	Surface finish [μm]	*1. Standard – Satin finished *2. Electro polished *3. Mech. polished – Satin finished *4. Electro polished *5. Mirror finished	Actuator size	Item-No.	
						Pneumatic EPDM Diaphragm	Actuator PTFE Diaphragm
8.0	1/4"	Clamp 25.0	*1. External Ra<6.3 – Internal Ra<0.5		C-40	445 197 N	445 231 X
8.0	1/4"	Clamp 25.0	*2. External Ra<3.2 – Internal Ra<0.4		C-40	445 198 X	445 232 Y
8.0	1/4"	Clamp 25.0	*3. External Ra<1.6 – Internal Ra<0.5		C-40	445 199 Y	445 233 Z
8.0	1/4"	Clamp 25.0	*4. External Ra<0.8 – Internal Ra<0.4		C-40	445 200 M	445 234 S
8.0	1/4"	Clamp 25.0	*5. External Ra<0.25 – Internal Ra<0.25		C-40	445 201 A	445 235 T
10.0	3/8"	Clamp 25.0	*1. External Ra<6.3 – Internal Ra<0.5		C-40	445 202 B	445 236 U
10.0	3/8"	Clamp 25.0	*2. External Ra<3.2 – Internal Ra<0.4		C-40	445 203 C	445 237 V
10.0	3/8"	Clamp 25.0	*3. External Ra<1.6 – Internal Ra<0.5		C-40	445 204 D	445 238 E
10.0	3/8"	Clamp 25.0	*4. External Ra<0.8 – Internal Ra<0.4		C-40	445 205 E	445 239 F
10.0	3/8"	Clamp 25.0	*5. External Ra<0.25 – Internal Ra<0.25		C-40	445 206 F	445 240 L
15.0	1/2"	Clamp 25.0	*1. External Ra<6.3 – Internal Ra<0.5		D-50	445 207 G	445 241 H
15.0	1/2"	Clamp 25.0	*2. External Ra<3.2 – Internal Ra<0.4		D-50	445 208 R	445 242 A
15.0	1/2"	Clamp 25.0	*3. External Ra<1.6 – Internal Ra<0.5		D-50	445 209 J	445 243 B
15.0	1/2"	Clamp 25.0	*4. External Ra<0.8 – Internal Ra<0.4		D-50	445 210 E	445 244 C
15.0	1/2"	Clamp 25.0	*5. External Ra<0.25 – Internal Ra<0.25		D-50	445 211 T	445 245 D
20.0	3/4"	Clamp 25.0	*1. External Ra<6.3 – Internal Ra<0.5		E-63	445 212 U	445 246 E
20.0	3/4"	Clamp 25.0	*2. External Ra<3.2 – Internal Ra<0.4		E-63	445 213 V	445 247 F
20.0	3/4"	Clamp 25.0	*3. External Ra<1.6 – Internal Ra<0.5		E-63	445 214 W	445 248 Q
20.0	3/4"	Clamp 25.0	*4. External Ra<0.8 – Internal Ra<0.4		E-63	444 151 W	445 249 R
20.0	3/4"	Clamp 25.0	*5. External Ra<0.25 – Internal Ra<0.25		E-63	445 215 X	445 250 N
25.0	1"	Clamp 50.5	*1. External Ra<6.3 – Internal Ra<0.5		F-80	445 216 Y	445 251 B
25.0	1"	Clamp 50.5	*2. External Ra<3.2 – Internal Ra<0.4		F-80	445 217 Z	445 252 C
25.0	1"	Clamp 50.5	*3. External Ra<1.6 – Internal Ra<0.5		F-80	445 218 A	445 253 D
25.0	1"	Clamp 50.5	*4. External Ra<0.8 – Internal Ra<0.4		F-80	445 219 B	445 254 E
25.0	1"	Clamp 50.5	*5. External Ra<0.25 – Internal Ra<0.25		F-80	445 220 G	445 255 F
40.0	1 1/2"	Clamp 50.5	*1. External Ra<6.3 – Internal Ra<0.5		G-100	445 221 V	445 256 G
40.0	1 1/2"	Clamp 50.5	*2. External Ra<3.2 – Internal Ra<0.4		G-100	445 222 W	445 257 H
40.0	1 1/2"	Clamp 50.5	*3. External Ra<1.6 – Internal Ra<0.5		G-100	445 223 X	445 258 J
40.0	1 1/2"	Clamp 50.5	*4. External Ra<0.8 – Internal Ra<0.4		G-100	445 224 Y	445 259 K
40.0	1 1/2"	Clamp 50.5	*5. External Ra<0.25 – Internal Ra<0.25		G-100	445 225 Z	445 260 Q
50.0	2"	Clamp 64.0	*1. External Ra<6.3 – Internal Ra<0.5		H-125	445 226 S	445 261 D
50.0	2"	Clamp 64.0	*2. External Ra<3.2 – Internal Ra<0.4		H-125	445 227 T	445 262 E
50.0	2"	Clamp 64.0	*3. External Ra<1.6 – Internal Ra<0.5		H-125	445 228 C	445 263 F
50.0	2"	Clamp 64.0	*4. External Ra<0.8 – Internal Ra<0.4		H-125	445 229 D	445 264 G
50.0	2"	Clamp 64.0	*5. External Ra<0.25 – Internal Ra<0.25		H-125	445 230 A	445 265 H

## 2/2-Way Diaphragm Valve, Pneumatically Operated Forged Stainless Steel Body with Tri-Clamp® Connection

### Specifications - Ordering Chart (Other Versions on Request) for ASME BPE Short Connection

Orifice DN	NPS	Connection D1	Surface finish *1. Standard – Satin finished *2. Electro polished *3. Mech. polished – Satin finished *4. Electro polished *5. Mirror finished	Actuator size	Item-No.	
					Pneumatic EPDM Diaphragm	Actuator PTFE Diaphragm
[mm]	[inch]	[mm]	[µm]			
8.0	1/4"	Clamp 25.0	*1. External Ra<6.3 – Internal Ra<0.5	C-40	445 266 A	445 301 E
8.0	1/4"	Clamp 25.0	*2. External Ra<3.2 – Internal Ra<0.4	C-40	445 267 B	445 302 F
8.0	1/4"	Clamp 25.0	*3. External Ra<1.6 – Internal Ra<0.5	C-40	445 268 L	445 303 G
8.0	1/4"	Clamp 25.0	*4. External Ra<0.8 – Internal Ra<0.4	C-40	445 269 M	445 304 H
8.0	1/4"	Clamp 25.0	*5. External Ra<0.25 – Internal Ra<0.25	C-40	445 270 J	445 305 A
10.0	3/8"	Clamp 25.0	*1. External Ra<6.3 – Internal Ra<0.5	C-40	445 271 F	445 306 B
10.0	3/8"	Clamp 25.0	*2. External Ra<3.2 – Internal Ra<0.4	C-40	445 272 G	445 307 C
10.0	3/8"	Clamp 25.0	*3. External Ra<1.6 – Internal Ra<0.5	C-40	445 273 H	445 308 M
10.0	3/8"	Clamp 25.0	*4. External Ra<0.8 – Internal Ra<0.4	C-40	445 274 A	445 309 N
10.0	3/8"	Clamp 25.0	*5. External Ra<0.25 – Internal Ra<0.25	C-40	445 275 B	445 310 A
15.0	1/2"	Clamp 25.0	*1. External Ra<6.3 – Internal Ra<0.5	D-50	445 276 C	445 311 X
15.0	1/2"	Clamp 25.0	*2. External Ra<3.2 – Internal Ra<0.4	D-50	445 277 D	445 312 Y
15.0	1/2"	Clamp 25.0	*3. External Ra<1.6 – Internal Ra<0.5	D-50	445 278 N	445 313 Z
15.0	1/2"	Clamp 25.0	*4. External Ra<0.8 – Internal Ra<0.4	D-50	445 279 P	445 314 S
15.0	1/2"	Clamp 25.0	*5. External Ra<0.25 – Internal Ra<0.25	D-50	445 280 D	445 315 T
20.0	3/4"	Clamp 50.5	*1. External Ra<6.3 – Internal Ra<0.5	E-63	445 281 S	445 316 U
20.0	3/4"	Clamp 50.5	*2. External Ra<3.2 – Internal Ra<0.4	E-63	445 282 T	445 317 V
20.0	3/4"	Clamp 50.5	*3. External Ra<1.6 – Internal Ra<0.5	E-63	445 283 U	445 318 E
20.0	3/4"	Clamp 50.5	*4. External Ra<0.8 – Internal Ra<0.4	E-63	445 284 V	445 319 F
20.0	3/4"	Clamp 50.5	*5. External Ra<0.25 – Internal Ra<0.25	E-63	445 285 W	445 320 C
25.0	1"	Clamp 50.5	*1. External Ra<6.3 – Internal Ra<0.5	F-80	445 286 X	445 321 Z
25.0	1"	Clamp 50.5	*2. External Ra<3.2 – Internal Ra<0.4	F-80	445 287 Y	445 322 S
25.0	1"	Clamp 50.5	*3. External Ra<1.6 – Internal Ra<0.5	F-80	445 288 H	445 323 T
25.0	1"	Clamp 50.5	*4. External Ra<0.8 – Internal Ra<0.4	F-80	445 289 A	445 324 U
25.0	1"	Clamp 50.5	*5. External Ra<0.25 – Internal Ra<0.25	F-80	445 290 F	445 325 V
40.0	1 1/2"	Clamp 50.5	*1. External Ra<6.3 – Internal Ra<0.5	G-100	445 291 U	445 326 W
40.0	1 1/2"	Clamp 50.5	*2. External Ra<3.2 – Internal Ra<0.4	G-100	445 292 V	445 327 X
40.0	1 1/2"	Clamp 50.5	*3. External Ra<1.6 – Internal Ra<0.5	G-100	445 293 W	445 328 G
40.0	1 1/2"	Clamp 50.5	*4. External Ra<0.8 – Internal Ra<0.4	G-100	445 294 X	445 329 H
40.0	1 1/2"	Clamp 50.5	*5. External Ra<0.25 – Internal Ra<0.25	G-100	445 295 Y	445 330 E
50.0	2"	Clamp 64.0	*1. External Ra<6.3 – Internal Ra<0.5	H-125	445 296 Z	445 331 T
50.0	2"	Clamp 64.0	*2. External Ra<3.2 – Internal Ra<0.4	H-125	445 297 S	445 332 U
50.0	2"	Clamp 64.0	*3. External Ra<1.6 – Internal Ra<0.5	H-125	445 298 B	445 333 V
50.0	2"	Clamp 64.0	*4. External Ra<0.8 – Internal Ra<0.4	H-125	445 299 C	445 334 W
50.0	2"	Clamp 64.0	*5. External Ra<0.25 – Internal Ra<0.25	H-125	445 300 R	445 335 X

### Specifications - Ordering Chart (Other Versions on Request) for DIN 32676 Connection

Orifice DN	Connection D1	Surface finish *1. Standard – Satin finished *2. Electro polished *3. Mech. polished – Satin finished *4. Electro polished *5. Mirror finished	Actuator size	Item-No.	
				Pneumatic EPDM Diaphragm	Actuator PTFE Diaphragm
[mm]	[mm]	[µm]			
15.0	Clamp 34.0	*1. External Ra<6.3 – Internal Ra<0.5	D-50	445 336 Y	445 361 H
15.0	Clamp 34.0	*2. External Ra<3.2 – Internal Ra<0.4	D-50	445 337 Z	445 362 A
15.0	Clamp 34.0	*3. External Ra<1.6 – Internal Ra<0.5	D-50	445 338 A	445 363 B
15.0	Clamp 34.0	*4. External Ra<0.8 – Internal Ra<0.4	D-50	445 339 B	445 364 C
15.0	Clamp 34.0	*5. External Ra<0.25 – Internal Ra<0.25	D-50	445 340 Q	445 365 D
20.0	Clamp 34.0	*1. External Ra<6.3 – Internal Ra<0.5	E-63	445 341 D	445 366 E
20.0	Clamp 34.0	*2. External Ra<3.2 – Internal Ra<0.4	E-63	445 342 E	445 367 F
20.0	Clamp 34.0	*3. External Ra<1.6 – Internal Ra<0.5	E-63	445 343 F	445 368 Q
20.0	Clamp 34.0	*4. External Ra<0.8 – Internal Ra<0.4	E-63	445 344 G	445 369 R
20.0	Clamp 34.0	*5. External Ra<0.25 – Internal Ra<0.25	E-63	445 345 H	445 370 N
25.0	Clamp 50.5	*1. External Ra<6.3 – Internal Ra<0.5	F-80	445 346 A	445 371 B
25.0	Clamp 50.5	*2. External Ra<3.2 – Internal Ra<0.4	F-80	445 347 B	445 372 C
25.0	Clamp 50.5	*3. External Ra<1.6 – Internal Ra<0.5	F-80	445 348 L	445 373 D
25.0	Clamp 50.5	*4. External Ra<0.8 – Internal Ra<0.4	F-80	445 349 M	445 374 E
25.0	Clamp 50.5	*5. External Ra<0.25 – Internal Ra<0.25	F-80	445 350 J	445 375 F
40.0	Clamp 50.5	*1. External Ra<6.3 – Internal Ra<0.5	G-100	445 351 F	445 376 G
40.0	Clamp 50.5	*2. External Ra<3.2 – Internal Ra<0.4	G-100	445 352 G	445 377 H
40.0	Clamp 50.5	*3. External Ra<1.6 – Internal Ra<0.5	G-100	445 353 H	445 378 J
40.0	Clamp 50.5	*4. External Ra<0.8 – Internal Ra<0.4	G-100	445 354 A	445 379 K
40.0	Clamp 50.5	*5. External Ra<0.25 – Internal Ra<0.25	G-100	445 355 B	445 380 H
50.0	Clamp 64.0	*1. External Ra<6.3 – Internal Ra<0.5	H-125	445 356 C	445 381 W
50.0	Clamp 64.0	*2. External Ra<3.2 – Internal Ra<0.4	H-125	445 357 D	445 382 X
50.0	Clamp 64.0	*3. External Ra<1.6 – Internal Ra<0.5	H-125	445 358 N	445 383 Y
50.0	Clamp 64.0	*4. External Ra<0.8 – Internal Ra<0.4	H-125	445 359 P	445 384 Z
50.0	Clamp 64.0	*5. External Ra<0.25 – Internal Ra<0.25	H-125	445 360 L	445 385 S

In case of special application requirements,  
please consult for advice.

We reserve the right to make technical changes without notice.  
105-GB/ 1-0XXX