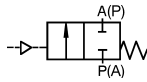


2/2-Way Diaphragm Valve, Pneumatically Operated Casted Stainless Steel Body with Tri-Clamp® Connection



2031



Normally closed

DN 8 - 50

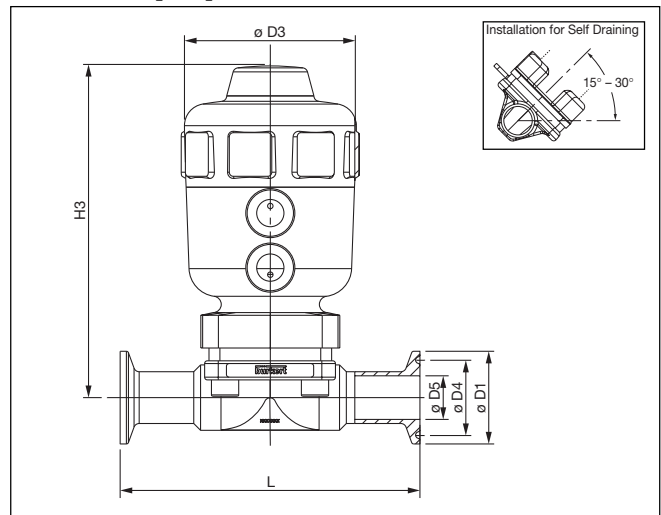
- ✓ Fully integrated in Burkert's Easy Process Control Systems
- ✓ Hermetical separation of fluids from the operating mechanism by diaphragm
- ✓ Zero dead volume
- ✓ Various surface finishes
- ✓ Quality certifications

The valve combination of hermetically sealed actuators, casted stainless steel bodies and chemically neutral diaphragms provides positive control of critical or ultra-pure fluids. The zero dead volume body, combined with various surface finishes allows a wide range of applications. The valve can be actuated by pneumatic pilot valves. (single pilot valves, valve islands and control heads) Control function A, normally closed by spring return.

Technical Data

Connections	ISO 2852, SMS 3017, DIN 32676 and BS 4825
Pilot pressure (depending on actuator)	5.5 ... 10 bar (PA ≤ 100) 5.5 ... 7 bar (PA > 100) 5.5 ... 7 bar (PPS)
Temperatures	
Medium	-10°C ... +130°C (short +150°C)
Ambient (depending on actuator)	-10°C ... +60°C (PA) +5°C ... +140°C (PPS < 100) +5°C ... +90°C (PPS ≥ 100) (short +140°C)
Materials	
Valve body	stainless steel 316L investment cast
Diaphragm	EPDM, PTFE
Actuator	PPS (PA on request)
Threads for pilot valves	stainless steel 1.4305
Flow direction	Bi-direct

Dimensions [mm]



Specifications

Orifice DN	Kv-Value Water	Max. Op. Pressure (Medium)	Actuator Size ø Diaphragm		Weight
			EPDM	PTFE	
[mm]	[m³/h]	[bar]	[mm]	[mm]	[kg]
8.0	1.0	10.0	C-40	-	0.4
8.0	1.0	7.0	-	C-40	0.4
10.0	1.0	10.0	C-40	-	0.4
10.0	1.0	7.0	-	C-40	0.4
15.0	4.0	9.0	D-50	-	0.7
15.0	4.5	10.0	-	E-63	0.9
20.0	7.0	8.0	E-63	-	1.3
20.0	7.5	10.0	-	F-80	2.0
25.0	12.0	10.0	F-80	-	2.2
25.0	12.0	8.0	-	F-80	2.2
40.0	30.0	6.5	G-100	-	4.2
40.0	30.5	10.0	-	H-125	5.7
50.0	51.5	8.5	H-125	-	7.6
50.0	51.5	7.0	-	H-125	7.6

ISO 2852 - SMS 3017 Connection

Orifice DN	L	D1	D4	D5	D3	H3
[mm]	[mm]	ø [mm]	ø [mm]	ø [mm]	ø [mm]	[mm]
25.0	129.0	50.5	43.5	22.6	80.0	157.0
25.0	129.0	50.5	43.5	22.6	101.0	177.0
40.0	161.0	50.5	43.5	35.6	127.0	233.0
40.0	161.0	50.5	43.5	35.6	153.0	272.0
50.0	192.0	64.0	56.5	48.6	127.0	244.0
50.0	192.0	64.0	56.5	48.6	153.0	278.0

DIN 32676 Connection

Orifice DN	L	D1	D4	D5	D3	H3
[mm]	[mm]	ø [mm]	ø [mm]	ø [mm]	ø [mm]	[mm]
15.0	110.0	34.0	27.5	16.0	64.0	121.0
15.0	110.0	34.0	27.5	16.0	80.0	138.0
20.0	119.0	34.0	27.5	20.0	80.0	148.0
20.0	119.0	34.0	27.5	20.0	101.0	174.0
25.0	129.0	50.5	43.5	26.0	80.0	157.0
25.0	129.0	50.5	43.5	26.0	101.0	177.0
40.0	161.0	50.5	43.5	38.0	127.0	233.0
40.0	161.0	50.5	43.5	38.0	153.0	272.0
50.0	192.0	64.0	56.5	50.0	127.0	244.0
50.0	192.0	64.0	56.5	50.0	153.0	278.0

BS 4825 Connection

Orifice DN	L	D1	D4	D5	D3	H3
[mm]	[mm]	ø [mm]	ø [mm]	ø [mm]	ø [mm]	[mm]
8.0 - 3/8	89.0	25.0	-	7.1	53.0	85.0
8.0 - 3/8	89.0	25.0	-	7.1	53.0	85.0
10.0 - 1/2	89.0	25.0	-	10.3	53.0	85.0
10.0 - 1/2	89.0	25.0	-	10.3	53.0	85.0
15.0 - 3/4	102.0	25.0	-	16.7	64.0	121.0
15.0 - 3/4	102.0	25.0	-	16.7	80.0	138.0
25.0 - 1	114.0	50.5	43.5	22.2	80.0	157.0
25.0 - 1	114.0	50.5	43.5	22.2	101.0	177.0
40.0 - 1 1/2	140.0	50.5	43.5	34.9	127.0	233.0
40.0 - 1 1/2	140.0	50.5	43.5	34.9	153.0	272.0
50.0 - 2	159.0	64.0	56.5	47.6	127.0	244.0
50.0 - 2	159.0	64.0	56.5	47.6	153.0	278.0



2/2-Way Diaphragm Valve, Pneumatically Operated Casted Stainless Steel Body with Tri-Clamp® Connection

Specifications - Ordering Chart (Other Versions on Request) for ISO 2852 - SMS 3017 Connection

Orifice DN [mm]	Connection D1 [mm]	Surface finish [µm]	Item-No.	
			EPDM Diaphragm	PTFE Diaphragm
25.0	Clamp - 50.5	*1. Internal Ra<6.3 - External Ra<6.3	441 382 T	442 074 S
25.0	Clamp - 50.5	*2. Internal Ra<1.6 - External Ra<6.3	441 383 U	442 075 T
25.0	Clamp - 50.5	*3. Internal Ra<0.8 - External Ra<6.3	441 384 V	442 076 U
25.0	Clamp - 50.5	*4. Internal Ra<0.6 - External Ra<3.2	441 385 W	442 077 V
40.0	Clamp - 50.5	*1. Internal Ra<6.3 - External Ra<6.3	441 440 H	442 078 E
40.0	Clamp - 50.5	*2. Internal Ra<1.6 - External Ra<6.3	441 441 W	442 079 F
40.0	Clamp - 50.5	*3. Internal Ra<0.8 - External Ra<6.3	441 442 X	442 080 V
40.0	Clamp - 50.5	*4. Internal Ra<0.6 - External Ra<3.2	441 443 Y	442 081 J
50.0	Clamp - 64.0	*1. Internal Ra<6.3 - External Ra<6.3	441 495 M	442 082 K
50.0	Clamp - 64.0	*2. Internal Ra<1.6 - External Ra<6.3	441 496 N	442 083 L
50.0	Clamp - 64.0	*3. Internal Ra<0.8 - External Ra<6.3	441 497 P	442 084 M
50.0	Clamp - 64.0	*4. Internal Ra<0.6 - External Ra<3.2	441 498 Y	442 085 N

Specifications - Ordering Chart (Other Versions on Request) for DIN 32676 Connection

Orifice DN [mm]	Connection D1 [mm]	Surface finish [µm]	Item-No.	
			EPDM Diaphragm	PTFE Diaphragm
15.0	Clamp - 34.0	*1. Internal Ra<6.3 - External Ra<6.3	441 292 Z	442 039 X
15.0	Clamp - 34.0	*2. Internal Ra<1.6 - External Ra<6.3	441 293 S	442 040 C
15.0	Clamp - 34.0	*3. Internal Ra<0.8 - External Ra<6.3	441 294 T	442 041 Z
15.0	Clamp - 34.0	*4. Internal Ra<0.6 - External Ra<3.2	441 295 U	442 042 S
20.0	Clamp - 34.0	*1. Internal Ra<6.3 - External Ra<6.3	441 331 X	442 043 T
20.0	Clamp - 34.0	*2. Internal Ra<1.6 - External Ra<6.3	441 332 Y	442 044 U
20.0	Clamp - 34.0	*3. Internal Ra<0.8 - External Ra<6.3	441 333 Z	442 045 V
20.0	Clamp - 34.0	*4. Internal Ra<0.6 - External Ra<3.2	441 334 S	442 046 W
25.0	Clamp - 50.5	*1. Internal Ra<6.3 - External Ra<6.3	441 378 N	442 047 X
25.0	Clamp - 50.5	*2. Internal Ra<1.6 - External Ra<6.3	441 379 P	442 048 G
25.0	Clamp - 50.5	*3. Internal Ra<0.8 - External Ra<6.3	441 380 D	442 049 H
25.0	Clamp - 50.5	*4. Internal Ra<0.6 - External Ra<3.2	441 381 S	442 050 E
40.0	Clamp - 50.5	*1. Internal Ra<6.3 - External Ra<6.3	441 436 R	442 051 T
40.0	Clamp - 50.5	*2. Internal Ra<1.6 - External Ra<6.3	441 437 J	442 052 U
40.0	Clamp - 50.5	*3. Internal Ra<0.8 - External Ra<6.3	441 438 T	442 053 V
40.0	Clamp - 50.5	*4. Internal Ra<0.6 - External Ra<3.2	441 439 U	442 054 W
50.0	Clamp - 64.0	*1. Internal Ra<6.3 - External Ra<6.3	441 491 R	442 055 X
50.0	Clamp - 64.0	*2. Internal Ra<1.6 - External Ra<6.3	441 492 J	442 056 Y
50.0	Clamp - 64.0	*3. Internal Ra<0.8 - External Ra<6.3	441 493 K	442 057 Z
50.0	Clamp - 64.0	*4. Internal Ra<0.6 - External Ra<3.2	441 494 L	442 058 A

Specifications - Ordering Chart (Other Versions on Request) for BS 4825 Connection

Orifice DN [mm]	Connection D1 [mm]	Surface finish [µm]	Item-No.	
			EPDM Diaphragm	PTFE Diaphragm
8.0	Clamp - 25.0	*1. Internal Ra<6.3 - External Ra<6.3	441 245 H	441 985 Q
8.0	Clamp - 25.0	*2. Internal Ra<1.6 - External Ra<6.3	441 246 A	441 986 R
8.0	Clamp - 25.0	*3. Internal Ra<0.8 - External Ra<6.3	441 247 B	441 987 J
8.0	Clamp - 25.0	*4. Internal Ra<0.6 - External Ra<3.2	441 248 L	441 988 T
10.0	Clamp - 25.0	*1. Internal Ra<6.3 - External Ra<6.3	441 253 H	441 989 U
10.0	Clamp - 25.0	*2. Internal Ra<1.6 - External Ra<6.3	441 254 A	441 990 Z
10.0	Clamp - 25.0	*3. Internal Ra<0.8 - External Ra<6.3	441 255 B	441 991 N
10.0	Clamp - 25.0	*4. Internal Ra<0.6 - External Ra<3.2	441 256 C	441 992 P
15.0	Clamp - 25.0	*1. Internal Ra<6.3 - External Ra<6.3	441 335 T	441 993 Q
15.0	Clamp - 25.0	*2. Internal Ra<1.6 - External Ra<6.3	441 336 U	441 994 R
15.0	Clamp - 25.0	*3. Internal Ra<0.8 - External Ra<6.3	441 337 V	441 995 J
15.0	Clamp - 25.0	*4. Internal Ra<0.6 - External Ra<3.2	441 338 E	441 996 K
25.0	Clamp - 50.5	*1. Internal Ra<6.3 - External Ra<6.3	441 386 X	441 997 L
25.0	Clamp - 50.5	*2. Internal Ra<1.6 - External Ra<6.3	441 387 Y	441 998 V
25.0	Clamp - 50.5	*3. Internal Ra<0.8 - External Ra<6.3	441 388 H	441 999 W
25.0	Clamp - 50.5	*4. Internal Ra<0.6 - External Ra<3.2	441 389 A	442 000 D
40.0	Clamp - 50.5	*1. Internal Ra<6.3 - External Ra<6.3	441 444 Z	442 001 S
40.0	Clamp - 50.5	*2. Internal Ra<1.6 - External Ra<6.3	441 445 S	442 002 T
40.0	Clamp - 50.5	*3. Internal Ra<0.8 - External Ra<6.3	441 446 T	442 003 U
40.0	Clamp - 50.5	*4. Internal Ra<0.6 - External Ra<3.2	441 447 U	442 004 V
50.0	Clamp - 64.0	*1. Internal Ra<6.3 - External Ra<6.3	441 499 Z	442 005 W
50.0	Clamp - 64.0	*2. Internal Ra<1.6 - External Ra<6.3	441 500 E	442 006 X
50.0	Clamp - 64.0	*3. Internal Ra<0.8 - External Ra<6.3	441 501 T	442 007 Y
50.0	Clamp - 64.0	*4. Internal Ra<0.6 - External Ra<3.2	441 502 U	442 008 H

In case of special application requirements,
please consult for advice.

We reserve the right to make technical changes without notice.
009-GB/ 2-0219