

2/2-Way, DN15-65, PN16, Cast steel or Stainless Steel



Advantages / Benefits

- ▶ **High operating safety:**
 - Extended spindle guide and wiper seal with self-adjusting double packing glands
- ▶ **Maintenance-free actuator with long-life piston ring**
- ▶ **Easy to install:**
 - Infinitely rotatable actuator allows pneumatic connection in any position
- ▶ **Short face to face length**
 - DIN 3202, F1
- ▶ **Cost savings in operation due to minimized control air consumption**
- ▶ **Low Lifecycle costs**
- ▶ **Comprehensive range of modular accessories (as required)**

Design

The 2/2-way-operated globe valve is available in two different materials:

- cast steel
- stainless steel.

The valve is operated with a single- or double-acting actuator. Standard material is polyamide, optional for ambient temperatures up to 140 °C is PPS (e.g. external sterilizing).

The reliable self-adjusting twin packing gland provides high sealing integrity.

- ON/OFF control function
- visual position indicator -> standard
- simple conversion of control functions (e.g. N/C to N/O or double-acting)
- safe and fast actuator servicing, due to no preloaded spring tension and few parts

Optional accessories:

- manual override
- various electrical position feedbacks
- adjustable stroke limiters
- wide choice of solenoid pilot valves

Applications

Fluids

- Gases and liquids up to 16 bar
- Steam up to 10 bar / 180°C (SIP)
- Aggressive fluids (CIP-fluids)

Industries

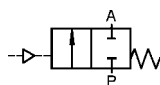
- Systems engineering
- Sterilizers
- Food and beverage processing
- Dairy product processing
- Pharmaceutical and cosmetic industry
- Process technology



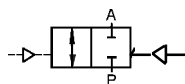
Technical Data

Control Functions

A 2/2-way flow valve,
normally closed spring return

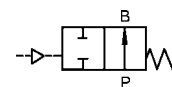


I 2/2-way flow valve,
with double-acting actuator
(on request)



Control Functions

B 2/2-way flow valve,
normally open spring return
(on request)



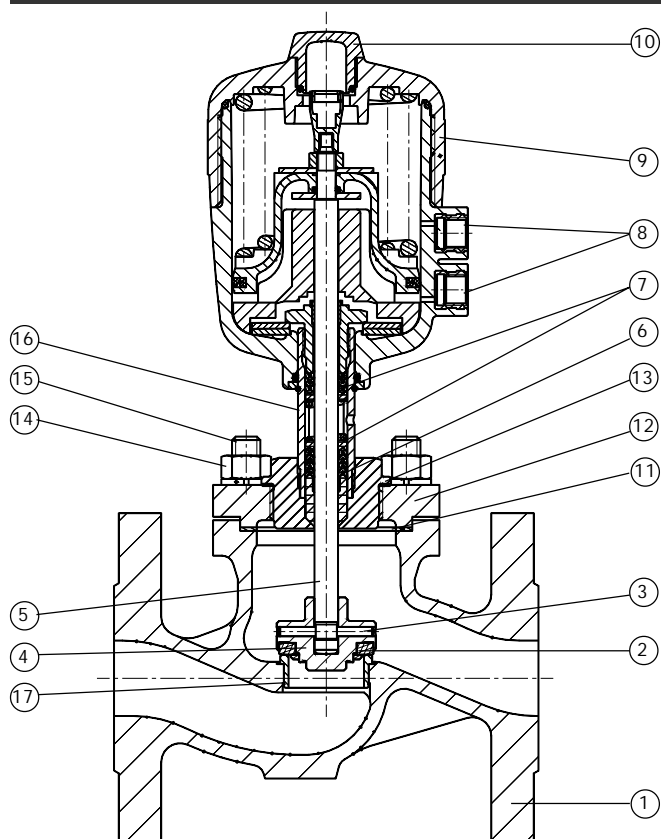
Operating data, valve

Valve body material	Cast GS C25 N, 1.4408 Stainless Steel
Flange connection	DIN 2501
Orifice	DN 15-65
Nominal pressure	PN 16
Max. operating pressure (medium)	16 bar
Fluids	Neutral gases and liquids. With stainless steel body: aggressive fluids, e.g. acids, lyes
Max. viscosity	600 mm ² /s
Fluid temperature	min. -10 °C, max. +180 °C
Ambient temperature	min. -10 °C, max. +60 °C

Operating data, actuator

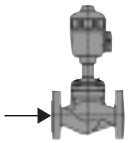
Control pressure	see ordering chart
Minimum control pressure	flow below seat: 4.5 bar flow above seat: see chart
Max. permissible control pressure	10 bar (see ordering chart)
Control medium	Neutral gases, air
Control connection	G 1/4
Installation position	as required, but preferably with actuator upright

Materials



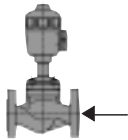
1. Valve body:	Cast steel GS C25 N, 1.4408 Stainless steel
2. Seat-Seal:	PTFE
3. Pin:	1.4401
4. Swivel plate:	1.4401
5. Spindle:	1.4401
6. Wiper:	PTFE
7. V-seals:	PTFE
8. Cone glands G1/4:	1.4305
9. Actuator casing:	Polyamide
10. Position indication:	Polycarbonat
11. Seal:	Graphite
12. Flange:	GS 1.0402, 1.4571 Stainless steel
13. Flat-seal:	Klingerit
14. Locknut:	1.0501, 1.4401
15. Screw:	1.1181, 1.4401
16. Tube:	1.4401
17. Screwed single seat:	1.4021

Ordering Chart



Control function A, normally closed
Flow direction below seat

Nominal valve size	Orifice size [mm]	Actuator size [ømm]	Max. operating pressure (fluid) [bar]	Control pressure [bar]	Kv [m³/h]	Flow direction	Weight [kg]	Item-No.	
								Cast steel	Stainless steel
DN15	15.0	63	10.0	4.5-10	4.0	below seat	4.3	415 891 G	415 898 P
DN20	20.0	63	10.0	4.5-10	7.0	below seat	4.9	415 892 H	415 899 Q
DN25	25.0	63	10.0	4.5-10	12.0	below seat	5.8	415 893 A	415 900 V
DN32	32.0	80	10.0	4.5-10	19.0	below seat	7.6	415 894 B	415 901 J
DN40	40.0	80	7.5	4.5-10	31.0	below seat	9.4	415 895 C	415 902 K
DN40	40.0	100	10.0	4.5- 7	31.0	below seat	10.5	415 959 T	415 960 Y
DN50	50.0	100	7.5	4.5- 7	47.0	below seat	15.3	415 896 D	415 903 L
DN50	50.0	125	10.0	4.5- 7	47.0	below seat	20.0	415 961 M	415 962 N
DN65	65.0	100	4.5	4.5- 7	77.0	below seat	21.5	415 897 E	415 904 M
DN65	65.0	125	6.5	4.5- 7	77.0	below seat	25.0	415 963 P	415 964 Q



Control function A, normally closed
Flow direction above seat

Nominal valve size	Orifice size [mm]	Actuator size [ømm]	Max. operating pressure (fluid) [bar]	Control pressure [bar]	Kv [m³/h]	Flow direction	Weight [kg]	Item-No.	
								Cast steel	Stainless steel
DN15	15.0	50	16.0	See chart next page	4.0	above seat	4.1	424 248 B	424 256 T
DN15	15.0	63	16.0		4.0	above seat	4.3	424 265 U	424 268 F
DN20	20.0	50	16.0		7.0	above seat	4.7	424 249 C	424 257 U
DN20	20.0	63	16.0		7.0	above seat	4.9	424 266 V	424 269 G
DN25	25.0	50	16.0		12.0	above seat	5.6	424 250 H	424 258 D
DN25	25.0	63	16.0		12.0	above seat	5.8	424 267 W	424 270 D
DN32	32.0	63	16.0		19.0	above seat	7.4	424 251 W	424 259 E
DN40	40.0	63	16.0		31.0	above seat	9.2	424 252 X	424 260 B
DN40	40.0	80	16.0		31.0	above seat	9.8	424 253 Y	424 261 Y
DN50	50.0	63	16.0		47.0	above seat	13.8	424 254 Z	424 262 Z
DN50	50.0	80	16.0		47.0	above seat	14.6	424 255 S	424 263 S

Options (on request)

- Normally open or double-acting actuator
- PPS-actuator for ambient temperatures up to 140 °C
- Vacuum version
- Position feedback with Type 1062 or with external inductive switches
- Manual override
- NAMUR adapter for pilot valve
- Stroke adjustment (high/low flow)
- Positioner 1067

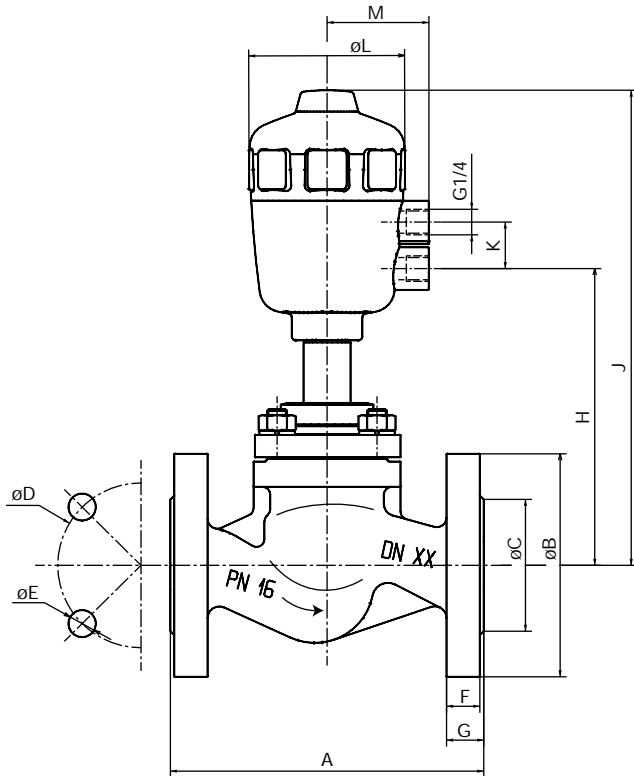
Pneumatic pilot valve systems

Burkert offers a comprehensive range of pneumatic valve systems from single pilot valves up to multiple valve systems with different bus connections. Please ask for data sheet "Pneumatic Valve Actuation System for the Process Technology and Industry"

Example: Type 2011 with Burkert Banjo-pilot valve



Dimensions [mm]

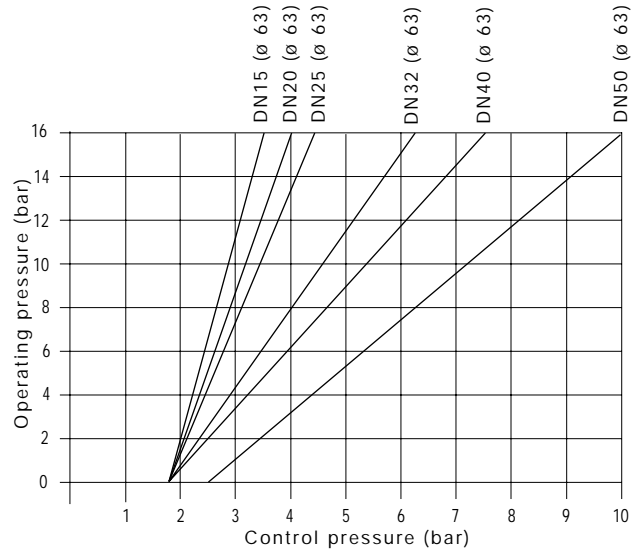


Flow direction:

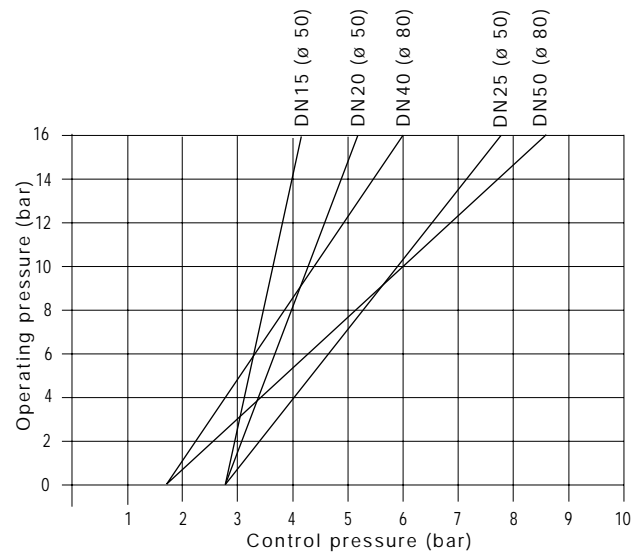
- flow direction below seat →
- flow direction above seat ←

Pressure chart

Control Function A, flow above seat
(actuator ø63)



Control Function A, flow above seat
(actuator ø50, ø80)



Variable dimensions [mm]

DN	15	15	20	20	25	25	32	32	40	40	40	50	50	50	50	65	65
Actuator [ømm]	50	63	50	63	50	63	63	80	63	80	100	63	80	100	125	100	125
A	130.0	130.0	150.0	150.0	160.0	160.0	180.0	180.0	200.0	200.0	200.0	230.0	230.0	230.0	230.0	290.0	290.0
B	95.0	95.0	105.0	105.0	115.0	115.0	140.0	140.0	150.0	150.0	150.0	165.0	165.0	165.0	165.0	185.0	185.0
C	45.0	45.0	55.0	55.0	68.0	68.0	78.0	78.0	88.0	88.0	88.0	102	102.0	102.0	102.0	122.0	122.0
D	65.0	65.0	75.0	75.0	85.0	85.0	100.0	100.0	110.0	110.0	110.0	125.0	125.0	125.0	125.0	145.0	145.0
E	14.0	14.0	14.0	14.0	14.0	14.0	18.0	18.0	18.0	18.0	18.0	18.0	18.0	18.0	18.0	18.0	18.0
F	14.0	14.0	16.0	16.0	16.0	16.0	16.0	16.0	16.0	16.0	16.0	17.0	17.0	17.0	17.0	19.0	19.0
G	16.0	18.0	18.0	18.0	18.0	18.0	18.0	18.0	18.0	18.0	18.0	20.0	20.0	20.0	20.0	22.0	22.0
H	109.0	145.0	115.0	145.0	118.0	154.0	159.0	165.0	158.0	163.0	187.0	164.0	169.0	193.0	204.0	206.0	217.0
J	201.0	237.0	207.0	237.0	210.0	248.0	252.0	275.0	251.0	273.0	340.0	256.0	280.0	346.0	382.0	359.0	395.0
K	24.0	24.0	24.0	24.0	24.0	24.0	24.0	24.0	24.0	24.0	30.0	24.0	24.0	30.0	30.0	30.0	30.0
L	64.0	80.0	64.0	80.0	64.0	80.0	80.0	101.0	80.0	101.0	127.0	80.0	101.0	127.0	153.0	127.0	153.0
M	44.0	52.0	44.0	52.0	44.0	52.0	52.0	60.0	52.0	60.0	73.0	52.0	63.0	73.0	86.0	73.0	86.0

In case of special application requirements, please consult for advice.

We reserve the right to make technical changes without notice.
710-GB/ 2-0132