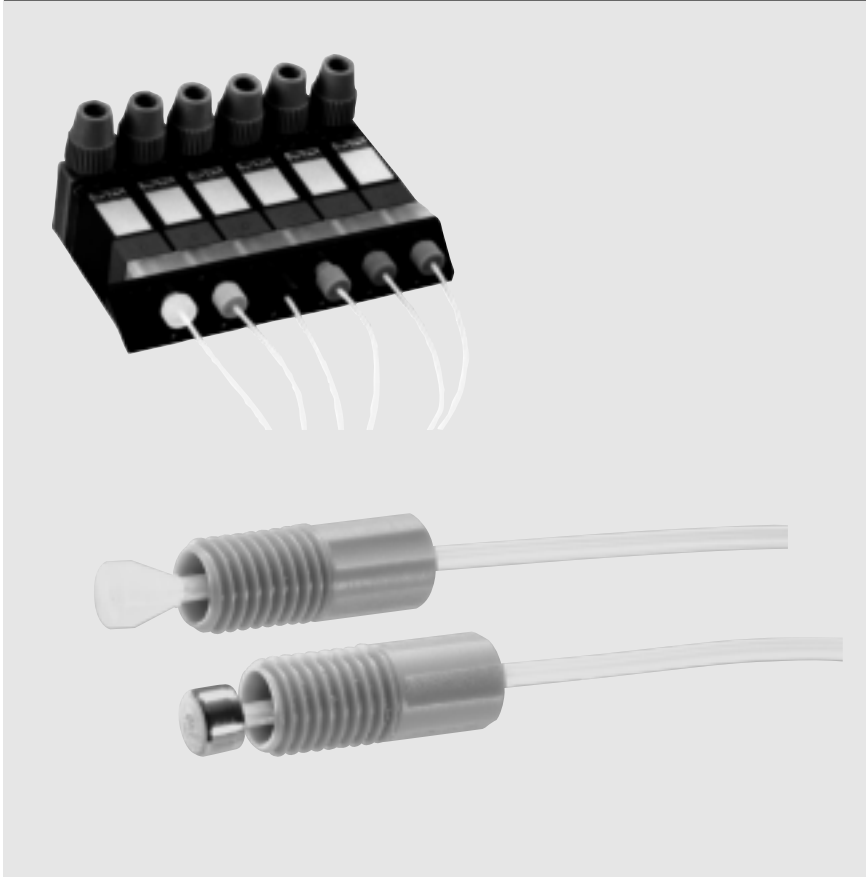


1/4"-28 tube end fittings, PTFE tubing



Advantages/Benefits

- ▶ Fittings with gripper option
- ▶ Fittings with inverted cone option
- ▶ PTFE tubing

Function

Fitting and tubes for Analytical valves with UNF 1/4"-28 port connections. Applicable for Burkert valves type 117, 127, 6605 and 6606 with UNF port connection.

Gripper option

Gripper fittings are a flangeless tube connection system which incorporate a PTFE facing washer press-fitted into a 316 stainless steel housing. These provide a leak-free connection with minimum disturbance to the fluid path and allow repeated connect/disconnect operation without deterioration to the sealing face. These fittings do not compress the tubing if over tightened and do not twist the tubing during connection. Pressure rated to 68 bar (1000 psi).

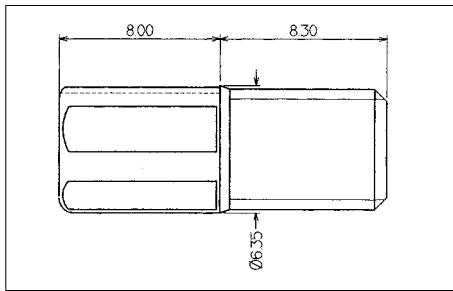
Inverted cone option

A Tefzel cone is matched to the outside diameter of the tubing being used. The cone is compressed into the cone shaped end of the tube end fitting forming an inert seal. This method has good sealing pressure and requires no tools. Pressure rated to 34 bar (500 psi).

Applications

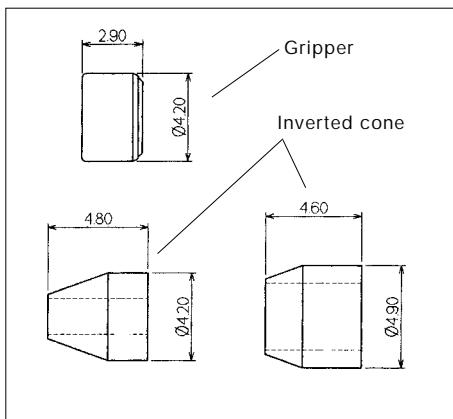
- Medical technology
- Bio technology
- Analytical instruments

Specifications - Ordering Chart



1/4"-28 tube end fittings

Description	1/4"-28	Material	Pressure [bar]	Qty.	ITEM - No.
Fittings for gripper	1/16"	PEEK	68	10	784 352 C
Fittings for gripper	1/8"	PEEK	68	10	784 353 D
Fittings for inverted cone	1/16"	PEEK	34	10	784 354 E
Fittings for inverted cone	1/8"	PEEK	34	10	784 355 F



Accessories

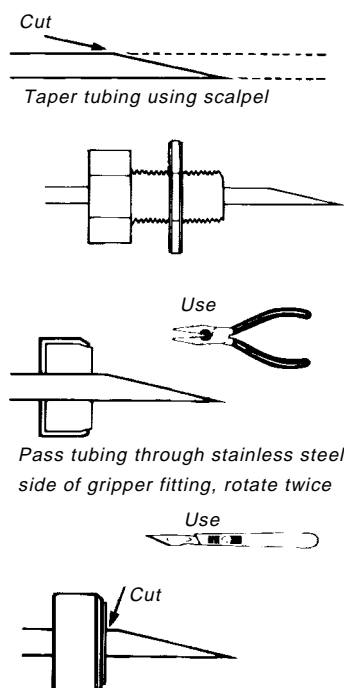
Description	1/4"-28	Material	Pressure [bar]	Qty.	ITEM - No.
Gripper	1/16"	PTFE/316	68	10	784 356 G
Gripper	1/8"	PTFE/316	68	10	784 357 H
Inverted cone	1/16"	Tefzel	34	10	784 358 J
Inverted cone	1/8"	Tefzel	34	10	784 359 K

PTFE tubing

Description	Diameter [Ø]	Length [m]	ITEM - No.
PTFE tube	1.6 mm OD (1/16") x 0.8 mm ID	20	784 360 Q
PTFE tube	1.6 mm OD (1/16") x 1.0 mm ID	20	784 361 D
PTFE tube	3.2 mm OD (1/8") x 1.6 mm ID	10	784 362 E

Gripper option

Gripper fittings are a flangeless tube connection system which incorporate a PTFE facing washer press-fitted into a 316 stainless steel housing. These provide a leak-free connection with minimum disturbance to the fluid path and allow repeated connect/disconnect operation without deterioration to the sealing face. These fittings do not compress the tubing if over tightened and do not twist the tubing during connection. Pressure rated to 68 bar (1000 psi).



Inverted cone option

A Tefzel cone is matched to the outside diameter of the tubing being used. The cone is compressed into the cone shaped end of the tube end fitting forming an inert seal. This method has good sealing pressure and requires no tools. Pressure rated to 34 bar (500 psi).

