



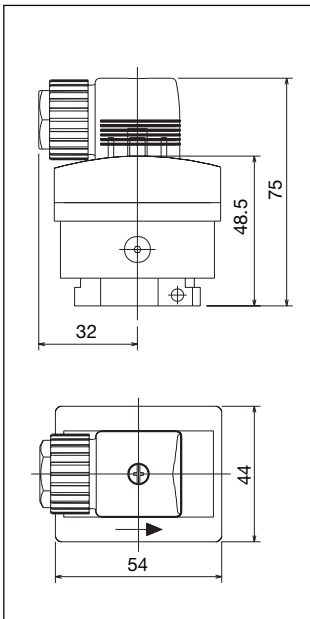
# Magnetic Paddle Flow Sensor/Switch for Easy On/Off Control

Ordering table for SE10 (electronic SE10 and sensor fitting S010 build the 8010) ON/OFF Flow Control System, mechanical, magnetic paddle INLINE type

Voltage supply	Input	Output	Connector	Item-No.
24 VDC	---	read contact NO	Connector cable plug DIN, PG9	438 087 L
24 VDC	---	read contact NC	Connector cable plug DIN, PG9	438 088 V

Fittings with Magnetic Sensor Paddle - PVC, PVDF, PP, Stainless Steel or Brass (see datasheet fittings S010)

## Dimensions [mm]

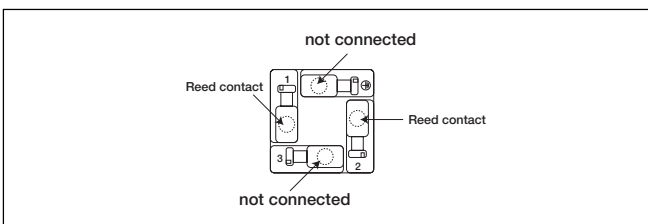
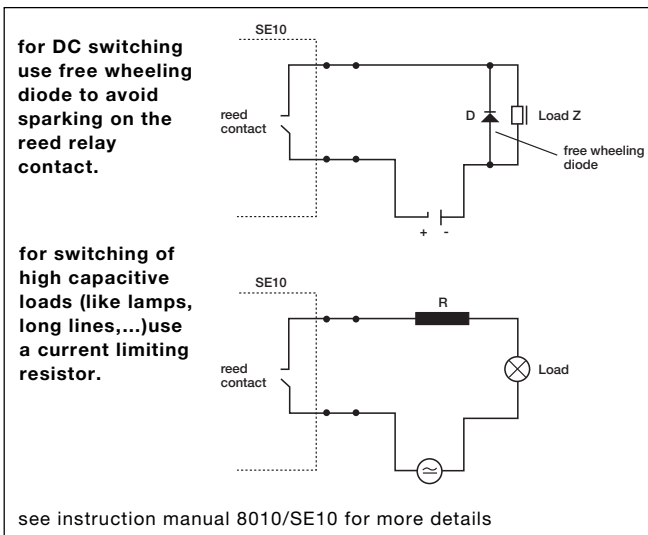


## Variable dimensions [mm]

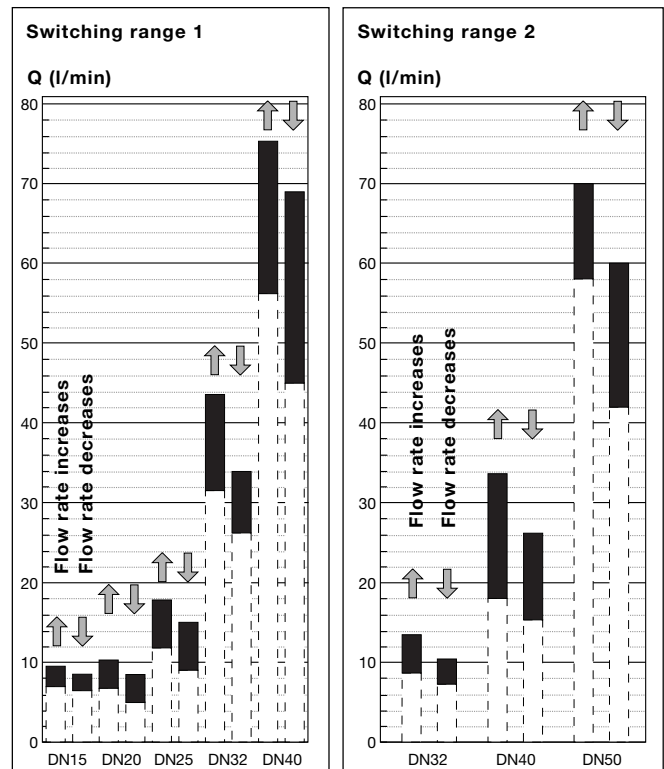
### Magnetic paddle flow switch type 8010

Range 1 or 2	Fitting DN (mm)	Fluid velocity (water) (m/s)		Flow rate				
		min	max	(l/mn)		(m³/h)		
1	15	0.65	->	0.90	6.9	9.5	0.41	0.57
	15	0.60	<-	0.80	6.4	8.5	0.38	0.51
1	20	0.35	->	0.55	6.6	10.4	0.40	0.62
	20	0.25	<-	0.45	4.7	8.5	0.28	0.51
2	32	0.18	->	0.28	8.5	13.5	0.51	0.81
	32	0.15	<-	0.22	7.0	10.5	0.42	0.63
1	25	0.40	->	0.60	11.8	17.7	0.71	1.06
	25	0.30	<-	0.50	8.8	14.7	0.53	0.88
2	40	0.25	->	0.45	18.8	33.9	1.13	2.04
	40	0.20	<-	0.35	15.1	26.4	0.90	1.58
1	32	0.65	->	0.90	31.4	43.4	1.88	2.61
	32	0.55	<-	0.70	26.5	33.8	1.59	2.03
2	50	0.49	->	0.59	58.0	70.0	3.48	4.20
	50	0.36	<-	0.51	42.0	60.0	2.52	3.60
1	40	0.75	->	1.00	56.5	75.4	3.39	4.52
	40	0.60	<-	0.90	45.2	67.9	2.71	4.07

## Electrical connection - Reed contact version



## Switching range table for fitting PVC, PVDF, PP, SS, Brass



In case of special application requirements, please consult for advice.

We reserve the right to make technical changes without notice. 910-GB/ 1-0196