

# O500 for hygienic and washdown applications.

Hygienic, precise and robust – the new performance category in optical sensor technology for the food & beverage industry.

Baumer introduces its latest member of *NextGen* series optical sensor family. The new stainless steel O500 sensors offer a broad sensor range and increased power reserves. Due to its unique housing, easy operation and high precision, O500 sensors are an ideal choice for harsh environments like those in the food and beverage industry.

Whether using background suppression, *SmartReflect*® or retro-reflective sensor technology, all sensor principles are available in hygienic and washdown design or in an IO-Link version.

## Advantages

- World's first hygienic sensor with a magnetic Teach procedure for adjusting the sensing distance directly at the sensor. The washdown sensors can be easily taught with the unique Baumer qTeach principle *qTeach*®.
- 100 % hygienic – the EHEDG-conforming housing design of the hygienic sensors offers a completely sealed housing.
- Simple and fast alignment due to the precise and easily visible Baumer *PinPoint* LED light spot.
- Utmost reliability and resistance in harsh environments: thanks to Baumer *proTect+* the O500 sensors cover all requirements of IP69K (high-pressure washing with high temperature and short distances) over an extended lifetime.



## Smart usage of sensor intelligence

In combination with IO-Link, the many diagnostic and parameterization options of the powerful O500 sensors are ideally qualified for applications in the food and beverage industry.

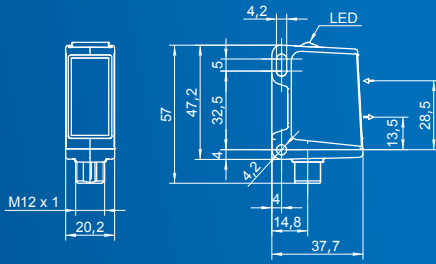
- Fast and easy sensor commissioning with automatic parameterization.
- Storage of application-specific parameters for fast product changes.
- Comfortable adjustment of sensors which are difficult to reach.
- Easy sensor exchange even with untrained personnel.
- Optimization of maintenance and servicing periods by defining individual parameters within the sensor (e.g. contamination thresholds)
- Increased process reliability through early recognition of critical sensor situations.



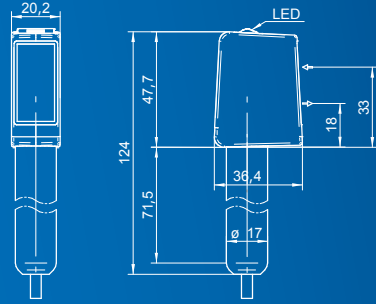
# Product overview



O500  
Washdown design



O500  
Hygien design



## Washdown design

Sensor principle	Light source	Range	Teach	Connection	Order code
Diffuse sensor with background suppression	Baumer <i>PinPoint</i> LED	400 mm	<i>qTeach</i> ® / external Teach	Flylead connector	O500W.GP-11125092
<i>SmartReflect</i> ®		600 mm		Flylead connector	O500W.SP-11125098
Retro-reflective sensor		8000 mm		Flylead connector	O500W.RP-11107745

## Hygiene design

Sensor principle	Light source	Range	Teach	Connection	Order code
Diffuse sensor with background suppression	Baumer <i>PinPoint</i> LED	400 mm	Magnetic Teach / external Teach	Cable	O500H.GP-11125101
<i>SmartReflect</i> ®		600 mm		Flylead connector	O500H.GP-11125102
Retro-reflective sensor		8000 mm		Cable	O500H.SP-11125106
				Flylead connector	O500H.SP-11125107
				Cable	O500H.RP-11107831
				Flylead connector	O500H.RP-11107832

## Accessories



M12 connector, 4 pin, straight, PVC/V4A

ESG 34AF0200 (2 m)  
ESG 34AF0500 (5 m)  
ESG 34AF1000 (10 m)  
ESG 34AF2500 (25 m)



M12 connector, 4 pin, angular, PVC/V4A

ESW 33AF0200 (2 m)  
ESW 33AF0500 (5 m)  
ESW 33AF1000 (10 m)  
ESW 33AF2500 (25 m)



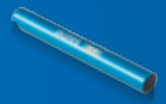
Mounting for sensors in hygienic design ø 17 mm

HI17-1H



USB IO-Link Master

11048016



Baumer Teach Pen

11137318



For more information about our O500 *NextGen* stainless steel sensors go to [www.baumer.com/O500](http://www.baumer.com/O500)



Baumer Group  
International Sales  
P.O. Box · Hummelstrasse 17 · CH-8501 Frauenfeld  
Phone +41 (0)52 728 1122 · Fax +41 (0)52 728 1144  
[sales@baumer.com](mailto:sales@baumer.com) · [www.baumer.com](http://www.baumer.com)

Find your local partners at:  
[www.baumer.com/worldwide](http://www.baumer.com/worldwide)