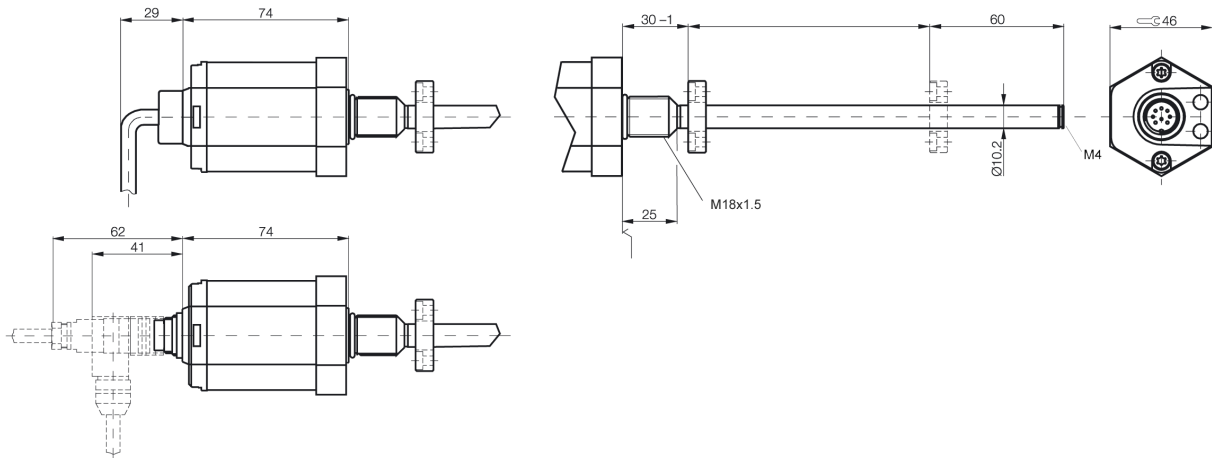


STA
Interface:A
BTL5-S1..-M....-A-....

Micropulse transducer BTL



Technical Data

Output signal	Synchron-serial
Transducer interface	S
Input interface	Synchron-serial
System resolution	1, 5, 10, 20 oder 40µm
Hysteresis	<1 Digit
Repeatability	±1 Digit
Sampling rate	2 kHz
max.non-linearity	±30µm at 1,5 and 10µm resolution or < ±2 LSB
Temperature coefficient of overall system	(6µm +5ppm x L) /°C
Supply voltage	24 V DC ±20%
Current draw	<80mA
Operating temperature	-40...85°C
Storage temperature	-40...100°C
Shock load	100g / 6ms per IEC60068-2-27
Vibration	12g, 10...2000 Hz per IEC 60068-2-6
Polarity reversal protected	yes
Overvoltage protection	Transzorb protection diodes
Dielectric constant	500 V (GND to housing)
Enclosure rating per IEC 60529	IP 67 (with BKS-S...IP 67 connector attached)
Housing material	Anodized aluminum
flange- and tube material	1.4571 stainless tube, 1.3952 stainless investment cast flange
Mounting	thread M18x1,5, Flange without mounting surface
Pressure rating	600 bar
Connection type	Connector
RF emission	IEC 61000-4-2 Severity Level 3
Static electricity (ESD)	IEC 61000-4-3 Severity Level 3
Electromagnetic fields (RFI)	IEC 61000-4-4 Severity Level 4
Fast transients (BURST)	IEC 61000-4-6 Severity Level 3
Accessories	Magnets and Connector please order separately

Pin assignments	Pin	Color	
Control and data signals	1	YE	+Clk
	2	GY	+Data
	3	PK	-Clk
	5	GN	-Data
Supply voltage (external)	6	BU	GND
	7	BN	+24 V DC
	8	WH	must remain unconnected