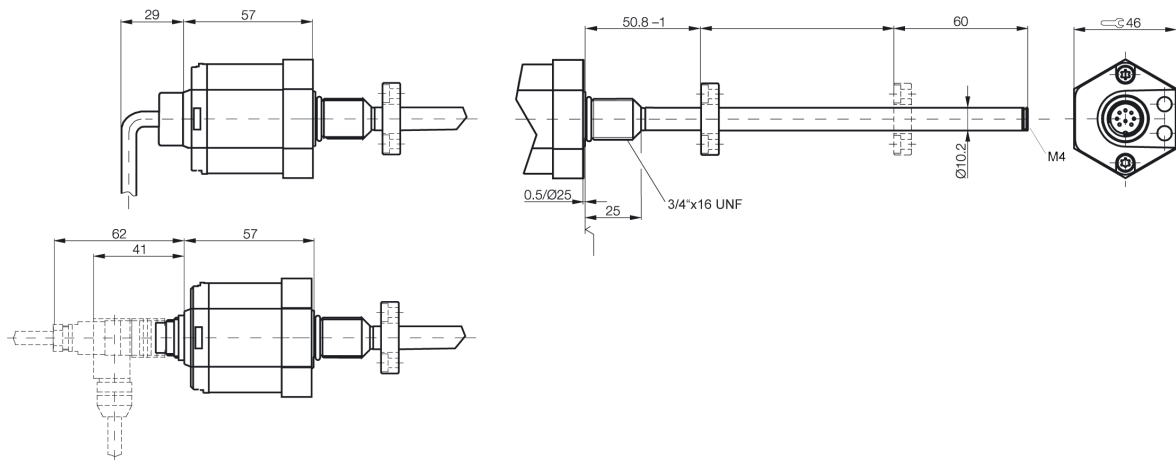


STA
Interface:Z
BTL5-P1-M....-Z.....

Micropulse transducer BTL



Technical Data

Transducer interface	Impuls P
Input interface	Impuls P
System resolution	depending on processing electronics
Hysteresis	<4µm
Repeatability	2µm or 1 Digit depending on processing electronics
Resolution	<2µm
Sampling rate	2 kHz
max.non-linearity	+100µm up to L=500mm; 0,02% FS at L>500mm
Temperature coefficient of overall system	(6µm +5ppm x L) /°C
Supply voltage	24 V DC ±20%
Current draw	<100mA
Operating temperature	-40...85°C
Storage temperature	-40...100°C
Shock load	100g / 6ms per IEC60068-2-27
Vibration	12g, 10...2000 Hz per IEC 60068-2-6
Polarity reversal protected	yes
Overvoltage protection	Transzorb protection diodes
Dielectric constant	500 V (GND to housing)
Enclosure rating per IEC 60529	IP 67 (with BKS-S...IP 67 connector attached)
Housing material	Anodized aluminum
flange- and tube material	1.4571 stainless tube, 1.3952 stainless investment cast flange
Mounting	thread 3/4" x 16 UNF
Pressure rating	600 bar
Connection type	Connector
RF emission	IEC 61000-4-2 Severity Level 3
Static electricity (ESD)	IEC 61000-4-3 Severity Level 3
Electromagnetic fields (RFI)	IEC 61000-4-4 Severity Level 4
Fast transients (BURST)	IEC 61000-4-6 Severity Level 3
Accessories	Magnets and Connector please order separately

Pin assignments	Pin	Color	BTL5-P1/M1...
Input/output signals	Input 1	YE	INIT
	Ouptut 2	GY	START/STOP
	Input 3	PK	INIT
	Ouptut 5	GN	START/STOP
Supply voltage	6	BU	GND
	7	BN	+24 V DC
	8	WH	(GND)

Connect shield to housing