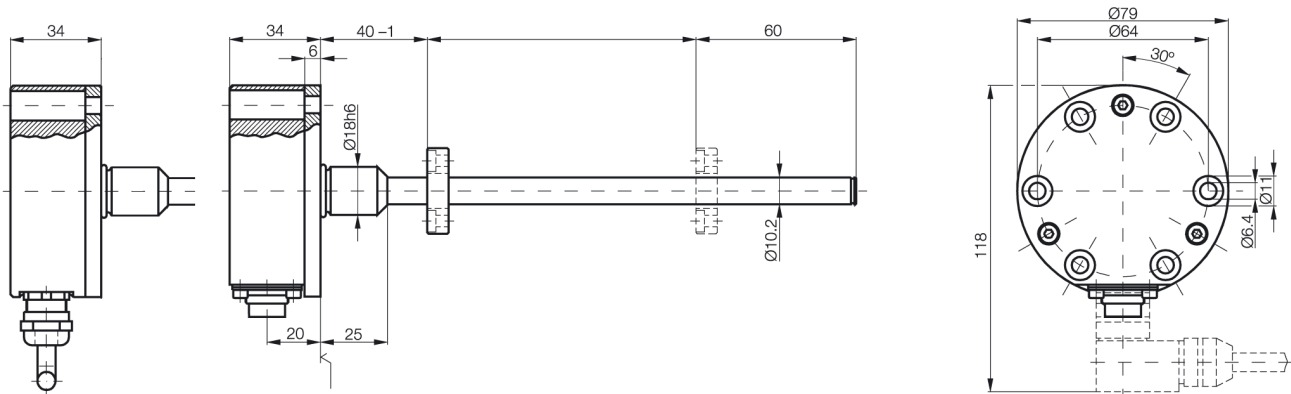


STK
Interface:I
BTL5-P1-M....-K....

Micropulse transducer BTL



Technical Data

| | |
|---|--|
| Transducer interface | Impuls P |
| Input interface | Impuls P |
| System resolution | depending on processing electronics |
| Hysteresis | <4µm |
| Repeatability | 2µm or 1 Digit depending on processing electronics |
| Resolution | <2µm |
| Sampling rate | F standard = 1kHz = < 1400mm |
| max.non-linearity | +100µm up to L=500mm; 0,02% FS at L>500mm |
| Temperature coefficient of overall system | (6µm +5ppm x L) /°C |
| Supply voltage | 24 V DC ±20% |
| Current draw | <100mA |
| Operating temperature | -40...85°C |
| Storage temperature | -40...100°C |
| Shock load | 100g / 6ms per IEC60068-2-27 and 100g / 2ms per IEC60068-2-29 |
| Vibration | 12g, 10...2000 Hz per IEC 60068-2-6 |
| Polarity reversal protected | yes |
| Overvoltage protection | Transzorb protection diodes |
| Dielectric constant | 500 V (GND to housing) |
| Enclosure rating per IEC 60529 | IP 67 (when screwed BKS-S connector is fitted); IP 68, 5 bar for cable version |
| Housing material | Stainless Steel 1.4305 |
| flange- and tube material | Tube stainless steel 1.4571, Flange 1.4571 or 1.4429 or 1.4404 |
| Mounting | flange with 6 mounting holes |
| Pressure rating | 600 bar |
| Connection type | connector or integral cable |
| RF emission | IEC 61000-4-2 Severity Level 3 |
| Static electricity (ESD) | IEC 61000-4-3 Severity Level 3 |
| Electromagnetic fields (RFI) | IEC 61000-4-4 Severity Level 4 |
| Fast transients (BURST) | IEC 61000-4-6 Severity Level 3 |
| Accessories | Magnets and Connector please order separately |

| Pin assignments | Pin | Color | BTL5-P1-M... |
|----------------------|-----|-------|--------------|
| Input/output signals | 1 | YE | INIT |
| | 2 | GY | START/STOP |
| | 3 | PK | INIT |
| | 5 | GN | START/STOP |
| Supply voltage | 6 | BU | GND |
| | 7 | BN | +24 V DC |
| | 8 | WH | |

Connect shield to housing