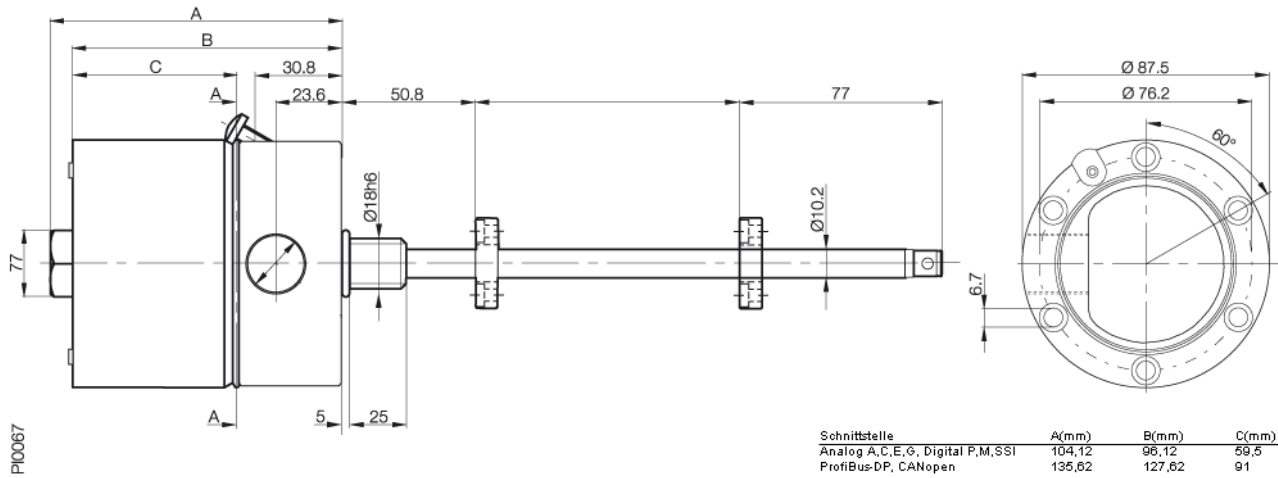


J
Interface:DEXC
BTL5-I1-M....-J-DEXC-TA12

Micropulse transducer BTL



Technical Data

Transducer interface	Impuls I
Input interface	Impuls I
System resolution	depending on processing electronics
Hysteresis	<4µm
Repeatability	2µm or 1 Digit depending on processing electronics
Resolution	<2µm
Sampling rate	2 kHz
max.non-linearity	+100µm up to L=500mm; 0,02% FS at L>500mm
Temperature coefficient of overall system	(6µm +5ppm x L) /°C
Supply voltage	24 V DC ±20%
Current draw	<100mA
Operating temperature	-20...80°C
Storage temperature	-40...100°C
Shock load	100g / 6ms per IEC60068-2-27
Vibration	12g, 10...2000 Hz per IEC 60068-2-6
Polarity reversal protected	yes
Overvoltage protection	Transzorb protection diodes
Dielectric constant	500 V (GND to housing)
Enclosure rating per IEC 60529	IP 68
Housing material	Stainless steel Nitronics 60
flange- and tube material	1.4571 stainless
Mounting	Flange Ø18 mm, PCD Ø 76.2 mm
Pressure rating	600 bar
Connection type	Screw terminals
RF emission	IEC 61000-4-2 Severity Level 3
Static electricity (ESD)	IEC 61000-4-3 Severity Level 3
Electromagnetic fields (RFI)	IEC 61000-4-4 Severity Level 4
Fast transients (BURST)	IEC 61000-4-6 Severity Level 3
Explosion protection	EEX d IIC T6 Cenelec SIRA 00A TEX1094, Eex de I & IIC, I M2, II 2 GD
Accessories	Magnets please order separately

Pin assignments	Pin	Color	BTL5-P1/M1...
Input/output signals	Input 1	YE	INIT
	Ouptut 2	GY	START/STOP
	Input 3	PK	INIT
	Ouptut 5	GN	START/STOP
Supply voltage	6	BU	GND
	7	BN	+24 V DC
	8	WH	(GND)

Connect shield to housing