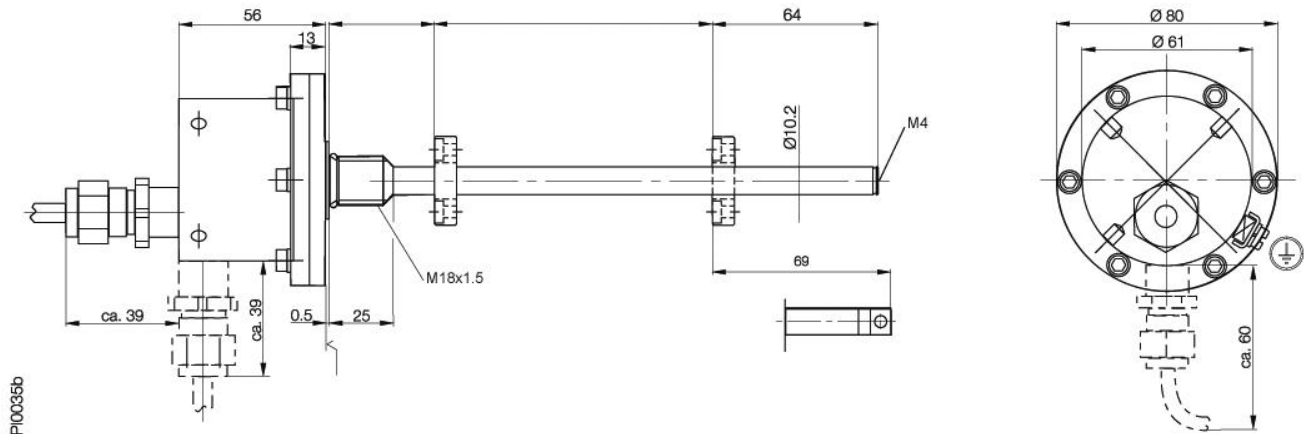


B
Interface:DEX
BTL5-I1-M....-B-DEX.-KA..

Micropulse transducer BTL



Technical Data

Transducer interface	Impuls I
Input interface	Impuls I
System resolution	depending on processing electronics
Hysteresis	<4µm
Repeatability	2µm or 1 Digit depending on processing electronics
Resolution	<2µm
Sampling rate	F standard = 1kHz = < 1400mm
max.non-linearity	+100µm up to L=500mm; 0,02% FS at L>500mm
Temperature coefficient of overall system	(6µm +5ppm x L) /°C
Supply voltage	24 V DC ±20%
Current draw	<100mA
Operating temperature	-40...85°C
Storage temperature	-40...100°C
Shock load	100g / 6ms per IEC60068-2-27 and 100g / 2ms per IEC60068-2-29
Vibration	12g, 10...2000 Hz per IEC 60068-2-6
Polarity reversal protected	yes
Overvoltage protection	Transzorb protection diodes
Dielectric constant	500 V (GND to housing)
Enclosure rating per IEC 60529	IP 67
Housing material	Stainless Steel 1.4305
flange- and tube material	Tube stainless steel 1.4571, Flange 1.4571 or 1.4429 or 1.4404
Mounting	thread M18 x1,5
Pressure rating	600 bar
Connection type	Cable
RF emission	EN 55011 Group 1,Class A
Static electricity (ESD)	IEC 61000-4-2 Severity Level 3
Electromagnetic fields (RFI)	IEC 61000-4-3 Severity Level 3
Fast transients (BURST)	IEC 61000-4-4 Severity Level 4
Line-carried noise, induced by high-frequency fields	IEC 61000-4-6 Severity Level 3
Explosion protection	EEX dIIB + H2 T6
PTB Nr.:	PTB Nr. Ex-00.E.1004X
Accessories	Magnets and adapter please order separately

Pin assignments	Pin	Color	BTL5-P1-M...
Input/output signals	Input	1 YE	INIT
	Ouput	2 GY	START/STOP
	Input	3 PK	INIT
	Ouput	5 GN	START/STOP
Supply voltage		6 BU	GND
		7 BN	+24 V DC
		8 WH	

Connect shield to housing