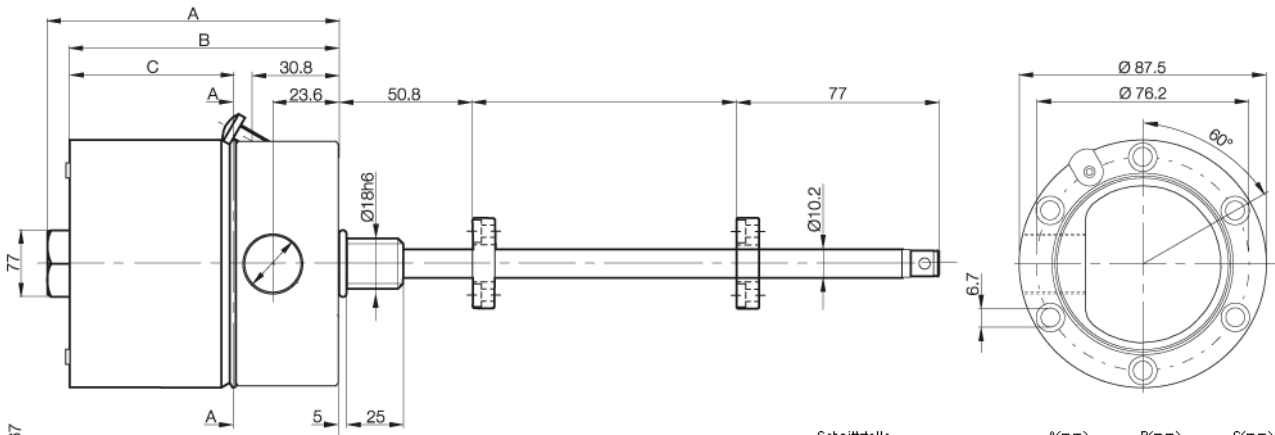


J

Interface:DEXC BTL5-H1..-M...-J-DEXC-TA12

Micropulse transducer BTL



P10067

Technical Data

Output signal	CANopen																				
Transducer interface	H																				
Input interface	CANopen																				
CANopen Interface	potential-free																				
System resolution position	5µm increments																				
System resolution velocity	0,1 mm/s increments																				
Hysteresis	≤1 Digit																				
Repeatability	±1 Digit																				
Sampling rate	1 kHz																				
max.non-linearity	±30µm at 1,5 and 10µm resolution or < ±2 LSB																				
Temperature coefficient of overall system	(6µm +5ppm x L) /°C																				
Supply voltage	24 V DC ±20%																				
Current draw	<100mA																				
Operating temperature	-20...80°C																				
Storage temperature	-40...100°C																				
Shock load	100g / 6ms per IEC60068-2-27																				
Vibration	12g, 10...2000 Hz per IEC 60068-2-6																				
Polarity reversal protected	yes																				
Overvoltage protection	Transzorb protection diodes																				
Dielectric constant	500 V (GND to housing)																				
Enclosure rating per IEC 60529	IP 68																				
Housing material	Stainless steel Nitronics 60																				
flange- and tube material	1.4571 stainless																				
Mounting	Flange Ø18 mm, PCD Ø 76.2 mm																				
Pressure rating	600 bar																				
Connection type	Screw terminals																				
RF emission	EN 55011 Group 1, Class A																				
Static electricity (ESD)	IEC 61000-4-2 Severity Level 3																				
Electromagnetic fields (RFI)	IEC 61000-4-3 Severity Level 3																				
Fast transients (BURST)	IEC 61000-4-4 Severity Level 4																				
Line-carried noise, induced by high-frequency fields	IEC 61000-4-6 Severity Level 3																				
Explosion protection	EEX d IIC T6																				
Cable length [m] at Baud rate [kBaud] per CiA DS301	Cenelec SIRA 00A TEX1094, Eex de I & IIC, I M2, II 2 GD <25 <50 <100 <250 <500 <1000 <1250 <2500																				
Accessories	<table border="1"> <thead> <tr> <th>Pin assignments</th> <th>Pin</th> <th>Color</th> <th></th> </tr> </thead> <tbody> <tr> <td rowspan="5">Control and data signals</td> <td>1</td> <td>WH</td> <td>CAN_GND</td> </tr> <tr> <td>2</td> <td>BN</td> <td>+24 V</td> </tr> <tr> <td>3</td> <td>BU</td> <td>0 V (GND)</td> </tr> <tr> <td>4</td> <td>GY</td> <td>CAN HIGH</td> </tr> <tr> <td>5</td> <td>GN</td> <td>CAN_LOW</td> </tr> </tbody> </table>	Pin assignments	Pin	Color		Control and data signals	1	WH	CAN_GND	2	BN	+24 V	3	BU	0 V (GND)	4	GY	CAN HIGH	5	GN	CAN_LOW
Pin assignments	Pin	Color																			
Control and data signals	1	WH	CAN_GND																		
	2	BN	+24 V																		
	3	BU	0 V (GND)																		
	4	GY	CAN HIGH																		
	5	GN	CAN_LOW																		