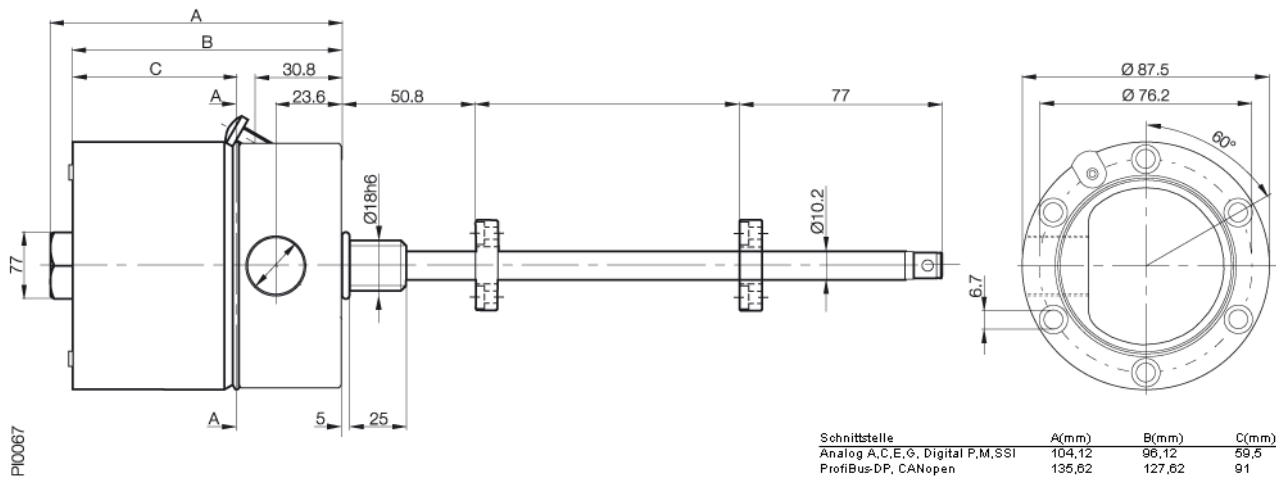


J

Interface:DEXC

BTL5-G11-M...-J-DEXC-TA12

Micropulse transducer BTL



Technical Data

Output signal	analog
Transducer interface	G
Input interface	analog
Output voltage	-10...+10V and +10...-10V
Load current	max. 5mA
max.ripple	<5mV
System resolution	<0,33mV
Hysteresis	<5µm
Repeatability	resolution / min. 2µm
Sampling rate	2kHz
max.non-linearity	+100µm up to L=500mm; 0,02% FS at L>500mm
Temperature coefficient Voltage output	[150µV/°C + (5ppm/°C x P x U/L)] x T2-T1
Supply voltage	24 V DC ±20%
Current draw	<150mA
Operating temperature	-20...80°C
Storage temperature	-40...100°C
Shock load	100g / 6ms nach IEC68-2-27
Vibration	12g, 10...2000 Hz per IEC 60068-2-6
Polarity reversal protected	yes
Overvoltage protection	Transzorb protection diodes
Dielectric constant	500 V (GND to housing)
Enclosure rating per IEC 60529	IP 68
Housing material	Stainless steel Nitronics 60
flange- and tube material	1.4571 stainless
Mounting	Flange Ø18 mm, PCD Ø 76.2 mm
Pressure rating	600 bar
Connection type	Screw terminals
RF emission	EN 55011 Group 1, Class A
Static electricity (ESD)	IEC 61000-4-2 Severity Level 3
Electromagnetic fields (RFI)	IEC 61000-4-3 Severity Level 3
Fast transients (BURST)	IEC 61000-4-4 Severity Level 4
Line-carried noise, induced by high-frequency fields	IEC 61000-4-6 Severity Level 3
Explosion protection	EEX d IIC T6 Cenelec SIRA 00A TEX1094, Eex de I & IIC, I M2, II 2 GD
Accessories	

Pin assignments	Pin	Color	BTL5-G11...
Output signals	1	YE	
	2	GY	0 V Output
	3	PK	10...-10 V
	5	GN	-10 ... 10V
Supply voltage	6	BU	GND
	7	BN	+24 V DC
	8	WH	(GND)

Connect shield to housing