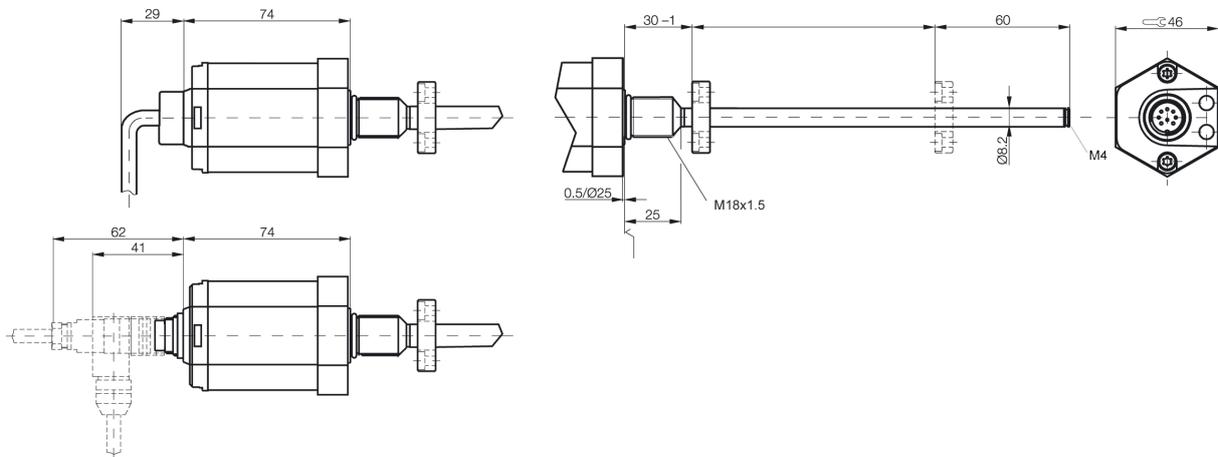


STA
Interface: B8
BTL5-G11-M....-B8-....

Micropulse transducer BTL



Technical Data

Output signal	analog
Transducer interface	G
Input interface	analog
Output voltage	-10...+10V und +10...-10V
Load current	max. 5mA
max.ripple	<5mV
System resolution	<0,33mV
Hysteresis	<5µm
Repeatability	resolution / min. 2µm
Sampling rate	2kHz
max.non-linearity	+100µm up to L=500mm; 0,02% FS at L>500mm
Temperature coefficient Voltage output	[150µV/°C + (5ppm/°C x P x U/L)] x T2-T1
Supply voltage	24 V DC ±20%
Current draw	<150mA
Operating temperature	-40...85°C
Storage temperature	-40...100°C
Shock load	100g / 6ms per IEC68-2-27
Vibration	12g, 10...2000 Hz per IEC 60068-2-6
Polarity reversal protected	yes
Overvoltage protection	Transzorb protection diodes
Dielectric constant	500 V (GND to housing)
Enclosure rating per IEC 60529	IP 67 (when BKS-S...IP 67 connector is in place)
Housing material	Anodized aluminum
flange- and tube material	1.4571 stainless tube, 1.3952 stainless investment cast flange
Mounting	thread M18 x1,5
Pressure rating	250 bar
Connection type	Cable or Connector
RF emission	EN 55011 Group 1, Class A
Static electricity (ESD)	IEC 61000-4-2 Severity Level 3
Electromagnetic fields (RFI)	IEC 61000-4-3 Severity Level 3
Fast transients (BURST)	IEC 61000-4-4 Severity Level 4
Line-carried noise, induced by high-frequency fields	IEC 61000-4-6 Severity Level 3
Accessories	Magnets and Connector please order separately

Pin assignments	Pin	Color	BTL5-G11...
Output signals	1	YE	
	2	GY	0 V Output
	3	PK	10...-10 V
	5	GN	-10 ... 10V
	6	BU	GND
Supply voltage	7	BN	+24 V DC
	8	WH	(GND)

Connect shield to housing