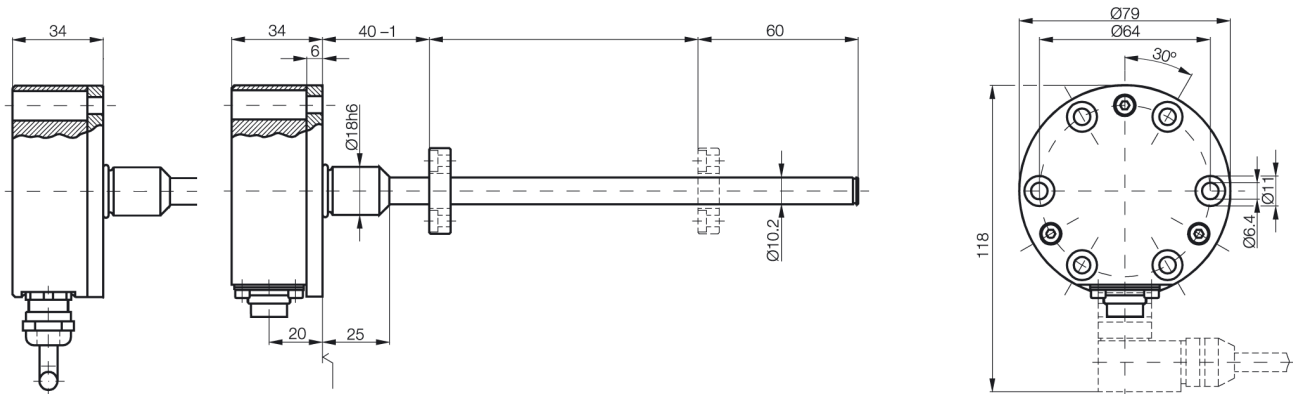


K
Interface:NEX
BTL5-E1.-M....-K-NEX-....

Micropulse transducer BTL



Technical Data

Output signal	analog																																			
Transducer interface	E																																			
Input interface	analog																																			
Output current	4...20mA or 20...4mA																																			
Load resistance	<500 Ohm																																			
System resolution	<0,2µA																																			
Hysteresis	<4µm																																			
Repeatability	resolution / min. 2µm																																			
Sampling rate	1kHz																																			
max.non-linearity	+100µm up to L=500mm; 0,02% FS at L>500mm																																			
Temperature coefficient Current output	[0,6µA/°C + (10ppm/°C x P x I/L)] x T2-T1																																			
Supply voltage	24V DC ±20%																																			
Current draw	<150mA																																			
Operating temperature	-40...85°C																																			
Storage temperature	-40...100°C																																			
Shock load	100g / 6ms per IEC60068-2-27 and 100g / 2ms per IEC60068-2-29																																			
Vibration	12g, 10...2000 Hz per IEC 60068-2-6																																			
Polarity reversal protected	yes																																			
Overvoltage protection	Transzorb protection diodes																																			
Dielectric constant	500 V (GND to housing)																																			
Enclosure rating per IEC 60529	IP 67 (with BKS-S... IP 67 connector attached)																																			
Housing material	Stainless steel 1.4305																																			
flange- and tube material	Tube stainless 1.4571, flange 1.4571 or 1.4429 or 1.4404																																			
Mounting	flange with 6 mounting holes																																			
Pressure rating	600 bar																																			
Connection type	Cable or Connector																																			
RF emission	EN 55011 Group 1, Class A																																			
Static electricity (ESD)	IEC 61000-4-2 Severity Level 3																																			
Electromagnetic fields (RFI)	IEC 61000-4-3 Severity Level 3																																			
Fast transients (BURST)	IEC 61000-4-4 Severity Level 4																																			
Line-carried noise, induced by high-frequency fields	IEC 61000-4-6 Severity Level 3																																			
Explosion protection	EEx n																																			
Accessories	Magnets and Connector please order separately																																			
	<table border="1"> <thead> <tr> <th>Pin assignments</th> <th>Pin</th> <th>Color</th> <th>BTL5-E10...</th> <th>BTL5-E17...</th> </tr> </thead> <tbody> <tr> <td rowspan="4">Output signals</td> <td>1</td> <td>YE</td> <td>4...20 mA</td> <td>20...4 mA</td> </tr> <tr> <td>2</td> <td>GY</td> <td></td> <td>0 V Output</td> </tr> <tr> <td>3</td> <td>PK</td> <td></td> <td>10...0 V</td> </tr> <tr> <td>5</td> <td>GN</td> <td></td> <td>0...10 V</td> </tr> <tr> <td rowspan="3">Supply voltage</td> <td>6</td> <td>BU</td> <td></td> <td>GND</td> </tr> <tr> <td>7</td> <td>BN</td> <td></td> <td>+24 V DC</td> </tr> <tr> <td>8</td> <td>WH</td> <td></td> <td></td> </tr> </tbody> </table>	Pin assignments	Pin	Color	BTL5-E10...	BTL5-E17...	Output signals	1	YE	4...20 mA	20...4 mA	2	GY		0 V Output	3	PK		10...0 V	5	GN		0...10 V	Supply voltage	6	BU		GND	7	BN		+24 V DC	8	WH		
Pin assignments	Pin	Color	BTL5-E10...	BTL5-E17...																																
Output signals	1	YE	4...20 mA	20...4 mA																																
	2	GY		0 V Output																																
	3	PK		10...0 V																																
	5	GN		0...10 V																																
Supply voltage	6	BU		GND																																
	7	BN		+24 V DC																																
	8	WH																																		
	Connect shield to housing																																			