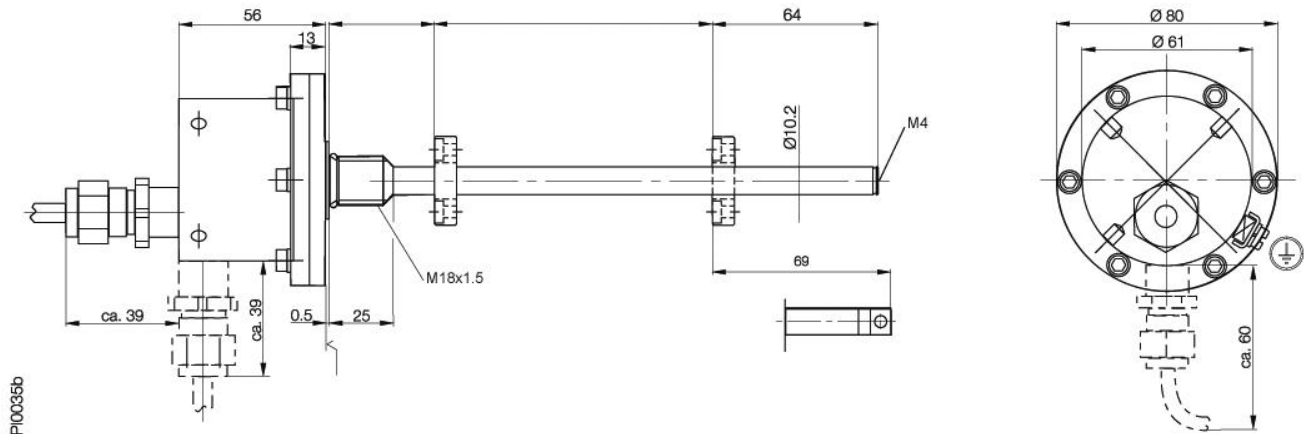


B
Interface:DEX
BTL5-C1.-M....-B-DEX.-K..

Micropulse transducer BTL



Technical Data

Output signal	analog
Transducer interface	C
Input interface	analog
Output current	0...20mA or 20...0mA
Load resistance	<500 Ohm
System resolution	<0,2µA
Hysteresis	<4µm
Repeatability	resolution / min. 2µm
Sampling rate	1kHz
max.non-linearity	+/-100µm up to L=500mm; 0,02% FS at L>500mm
Temperature coefficient Current output	[0,6µA/°C + (10ppm/°C x P x I/L)] x T2-T1
Supply voltage	24V DC ±20%
Current draw	<150mA
Operating temperature	-40...85°C
Storage temperature	-40...100°C
Shock load	100g / 6ms per IEC60068-2-27 and 100g / 2ms per IEC60068-2-29
Vibration	12g, 10...2000 Hz per IEC 60068-2-6
Polarity reversal protected	yes
Overvoltage protection	Transzorb protection diodes
Dielectric constant	500 V (GND to housing)
Enclosure rating per IEC 60529	IP 67
Housing material	Stainless steel 1.4305
flange- and tube material	Tube stainless 1.4571,flange 1.4571 or 1.4429 or 1.4404
Mounting	Thread M18x1.5
Pressure rating	600 bar
Connection type	Cable
Explosion protection	EN 55011 Group 1,Class A
RF emission	EN 55011 Group 1,Class A
PTB Nr.:	IEC 61000-4-2 Severity Level 3
Static electricity (ESD)	IEC 61000-4-2 Severity Level 3
Electromagnetic fields (RFI)	IEC 61000-4-3 Severity Level 3
Fast transients (BURST)	IEC 61000-4-4 Severity Level 4
Line-carried noise, induced by high-frequency fields	IEC 61000-4-6 Severity Level 3
Explosion protection	
PTB Nr.:	
Accessories	

Pin assignments	Pin	Color	BTL5-C10...	BTL5-C17...
Output signals	1	YE	0...20 mA	20...0 mA
	2	GY		0 V Output
	3	PK		10...0 V
	5	GN		0...10 V
Supply voltage	6	BU		GND
	7	BN		+24 V DC
	8	WH		

Connect shield to housing