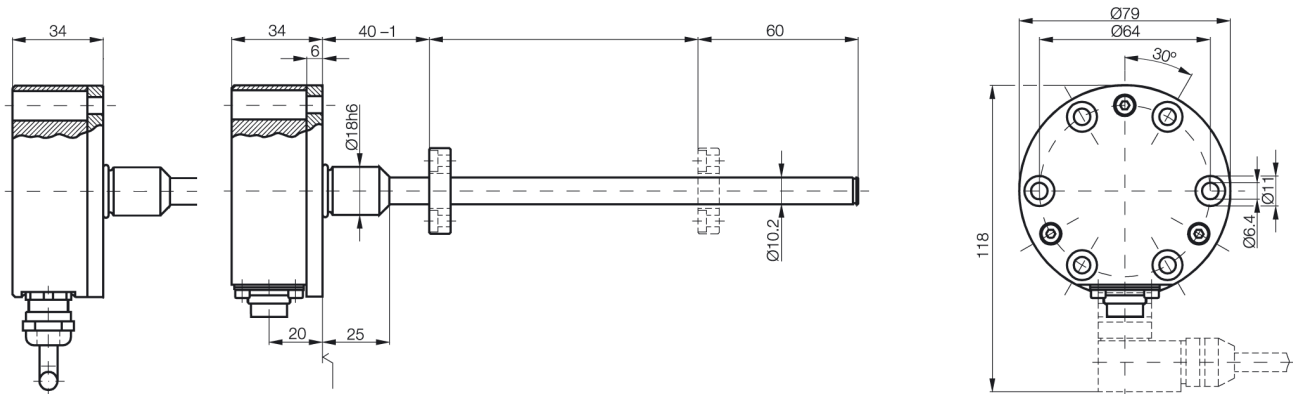


K
Interface:NEX
BTL5-A11-M....-K-NEX-....

Micropulse transducer BTL



Technical Data

Output signal	analog
Transducer interface	A
Input interface	analog
Output voltage	0...10V and 10...0V
Load current	max. 5mA
max.ripple	<5mV
System resolution	<0,1mV
Hysteresis	<4µm
Repeatability	resolution / min. 2µm
Sampling rate	1kHz
max.non-linearity	+100µm up to L=500mm; 0,02% FS at L>500mm
Temperature coefficient Voltage output	$[150\mu\text{V}/^\circ\text{C} + (5\text{ppm}/^\circ\text{C} \times \text{PxU/L})] \times (T_2 - T_1)$
Supply voltage	24V DC $\pm 20\%$
Current draw	<150mA
Operating temperature	-40...85°C
Storage temperature	-40...100°C
Shock load	100g / 6ms per IEC60068-2-27 and 100g / 2ms per IEC60068-2-29
Vibration	12g, 10...2000 Hz per IEC 60068-2-6
Polarity reversal protected	yes
Overvoltage protection	Transzorb protection diodes
Dielectric constant	500 V (GND to housing)
Enclosure rating per IEC 60529	IP 67 (with BKS-S... IP 67 connector attached)
Housing material	Stainless steel 1.4305
flange- and tube material	Tube stainless 1.4571, flange 1.4571 or 1.4429 or 1.4404
Mounting	flange with 6 mounting holes
Pressure rating	600 bar
Connection type	Cable or Connector
RF emission	EN 55011 Group 1, Class A
Static electricity (ESD)	IEC 61000-4-2 Severity Level 3
Electromagnetic fields (RFI)	IEC 61000-4-3 Severity Level 3
Fast transients (BURST)	IEC 61000-4-4 Severity Level 4
Line-carried noise, induced by high-frequency fields	IEC 61000-4-6 Severity Level 3
Explosion protection	EEx n
Accessories	

Pin assignments	Pin	Color	BTL5-A11...
Output signals	1	YE	
	2	GY	0 V Output
	3	PK	10...0 V
	5	GN	0...10 V
Supply voltage	6	BU	GND
	7	BN	+24 V DC
	8	WH	

Connect shield to housing