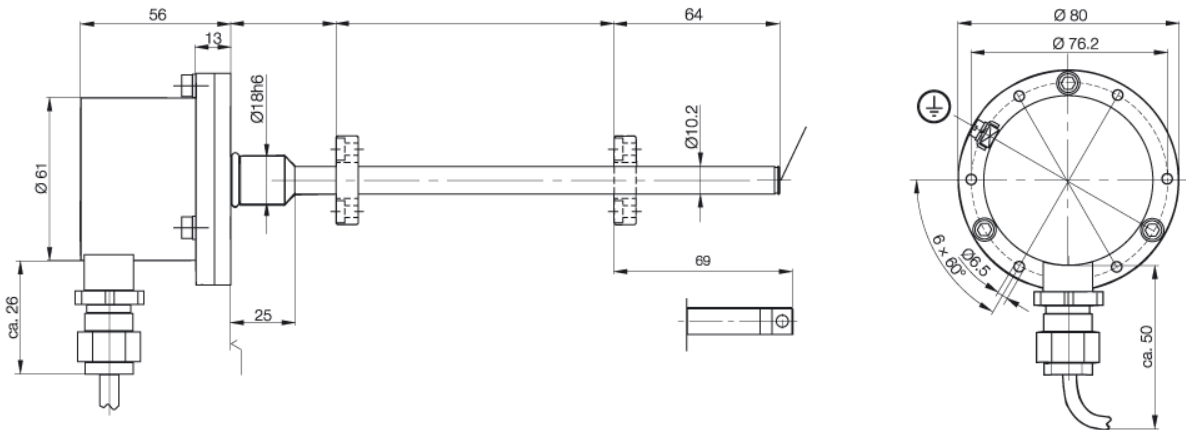


J

Interface: DEX BTL5-A11-M...-J-DEX.-K..

Micropulse transducer BTL

P10068



Technical Data

Output signal	analog
Transducer interface	A
Input interface	analog
Output voltage	0...10V and 10...0V
Load current	max. 5mA
max.ripple	<5mV
System resolution	<0,1mV
Hysteresis	<4µm
Repeatability	resolution / min. 2µm
Sampling rate	1kHz
max.non-linearity	+/-100µm up to L=500mm; 0,02% FS at L>500mm
Temperature coefficient Voltage output	$[150\mu\text{V}/^\circ\text{C} + (5\text{ppm}/^\circ\text{C} \times \text{PxU/L})] \times (T_2 - T_1)$
Supply voltage	24V DC ±20%
Current draw	<150mA
Operating temperature	-40...85°C
Storage temperature	-40...100°C
Shock load	100g / 6ms per IEC60068-2-27 and 100g / 2ms per IEC60068-2-29
Vibration	12g, 10...2000 Hz per IEC 60068-2-6
Polarity reversal protected	yes
Overvoltage protection	Transzorb protection diodes
Dielectric constant	500 V (GND to housing)
Enclosure rating per IEC 60529	IP 67
Housing material	Stainless steel 1.4305
flange- and tube material	Tube stainless 1.4571, flange 1.4571 or 1.4429 or 1.4404
Mounting	Flange Ø18 mm, PCD Ø76.2 mm
Pressure rating	600 bar
Connection type	Cable
Explosion protection	EN 55011 Group 1, Class A
RF emission	EN 55011 Group 1, Class A
PTB Nr.:	IEC 61000-4-2 Severity Level 3
Static electricity (ESD)	IEC 61000-4-2 Severity Level 3
Electromagnetic fields (RFI)	IEC 61000-4-3 Severity Level 3
Fast transients (BURST)	IEC 61000-4-4 Severity Level 4
Line-carried noise, induced by high-frequency fields	
Explosion protection	
PTB Nr.:	
Accessories	

Pin assignments	Pin	Color	BTL5-A11...
Output signals	1	YE	0 V Output
	2	GY	10...0 V
	3	PK	0...10 V
	5	GN	GND
Supply voltage	6	BU	GND
	7	BN	+24 V DC
	8	WH	

Connect shield to housing