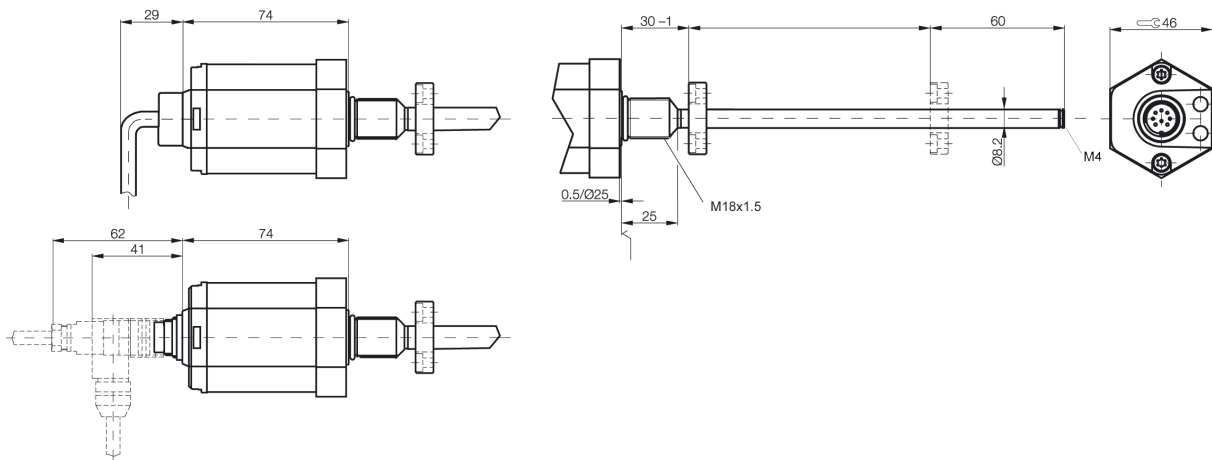


STA
Interface: B8
BTL5-A11-M....-B8-....

Micropulse transducer BTL



Technical Data

| | |
|--|---|
| Output signal | analog |
| Transducer interface | A |
| Input interface | analog |
| Output voltage | 0...10V und 10...0V |
| Load current | max. 5mA |
| max.ripple | <5mV |
| System resolution | <0,33mV |
| Hysteresis | <5µm |
| Repeatability | resolution / min. 2µm |
| Sampling rate | 2kHz |
| max.non-linearity | +/-100µm up to L=500mm; 0,02% FS at L>500mm |
| Temperature coefficient Voltage output | [150µV/°C + (5ppm/°C x P x U/L)] x T2-T1 |
| Supply voltage | 24 V DC ±20% |
| Current draw | <150mA |
| Operating temperature | -40...85°C |
| Storage temperature | -40...100°C |
| Shock load | 100g / 6ms per IEC68-2-27 |
| Vibration | 12g, 10...2000 Hz per IEC 60068-2-6 |
| Polarity reversal protected | yes |
| Overvoltage protection | Transzorb protection diodes |
| Dielectric constant | 500 V (GND to housing) |
| Enclosure rating per IEC 60529 | IP 67 (when BKS-S...IP 67 connector is in place) |
| Housing material | Anodized aluminum |
| flange- and tube material | 1.4571 stainless tube, 1.3952 stainless investment cast flange |
| Mounting | thread M18 x1,5 |
| Pressure rating | 250 bar |
| Connection type | Cable or Connector |
| RF emission | EN 55011 Group 1, Class A |
| Static electricity (ESD) | IEC 61000-4-2 Severity Level 3 |
| Electromagnetic fields (RFI) | IEC 61000-4-3 Severity Level 3 |
| Fast transients (BURST) | IEC 61000-4-4 Severity Level 4 |
| Line-carried noise, induced by high-frequency fields | IEC 61000-4-6 Severity Level 3 |
| Accessories | Magnets and Connector please order separately |

| Pin assignments | Pin | Color | BTL5-A11... |
|-----------------|-----|-------|-------------|
| Output signals | 1 | YE | |
| | 2 | GY | 0 V Output |
| | 3 | PK | 10...0 V |
| | 5 | GN | 0...10 V |
| Supply voltage | 6 | BU | GND |
| | 7 | BN | +24 V DC |
| | 8 | WH | (GND) |

Connect shield to housing