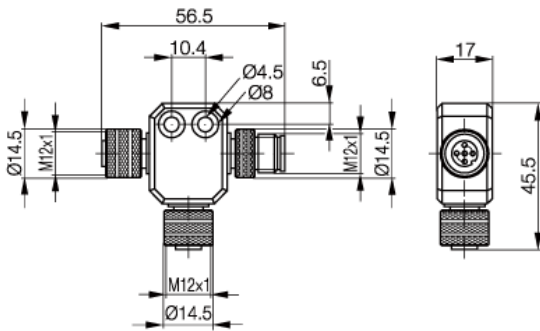


BKS-S92-TA1
T-splitter, 2 x female, 1 x male

Industrial RFID



PL0025

Technical Data

| | |
|--|--|
| Type | T-splitter, 2 x female, 1 x male |
| Type of Connector | round Connector |
| Protection per IEC 60529 (only when connected) | IP 65 |
| Description | T-splitter, for BIS M-6003-... DeviceNet |
| Usage | BIS M-6003-... DeviceNet |