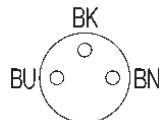
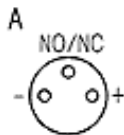
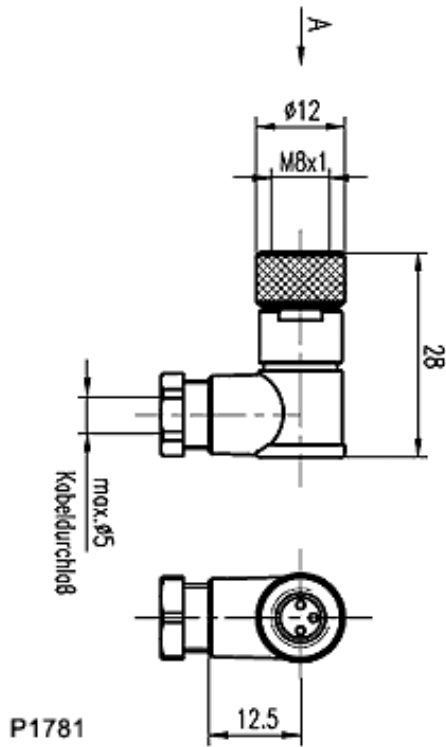


Accessories: Connectors BKS-S146-00



Common Data

Version	Connector, angle, 3-pin
Usable with	on Sensors with connection S49 (DC, M8)
Manufacturer	Binder
Ambient temperature	-25°C...+100°C

Mechanical Data

Measurements WxHxD or Dia x D	28xØ12
Material	Body PA/PBT
Protection class per IEC 60529	IP67
Cable version	for user assembly
Mounting	Solder terminal max. 0,25mm ²

Electrical Data

Supply voltage	10...30DC
----------------	-----------

Datasheet number::

Definitions see general catalog.
If not otherwise noted, ratings according to IEC 60947-5-2 (DIN EN60947-5-2)

Balluff GmbH
Schurwaldstrasse 9
73765 Neuhausen a.d.F.
Phone (07158) 173-0 Fax (07158) 5010

Datenblatt by CD-ROM - 04/2007

BALLUFF
sensors worldwide